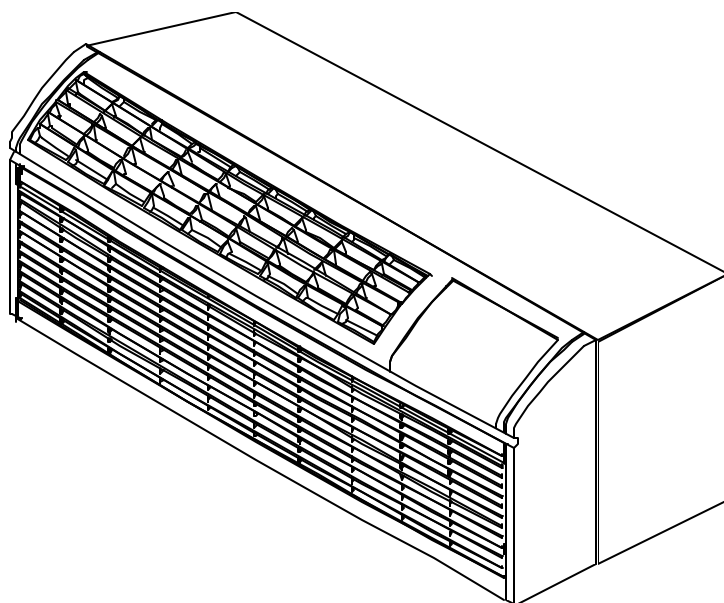


Models and manufacturing numbers in this manual

|             |           |
|-------------|-----------|
| PTC073A15CC | P1225276R |
| PTC073A25CC | P1225241R |
| PTC073A35CC | P1225242R |
| PTC093A00CC | P1225278R |
| PTC093A25CC | P1225233R |
| PTC093A35CC | P1225234R |
| PTC123A00CC | P1225235R |
| PTC123A25CC | P1225279R |
| PTC123A35CC | P1225236R |
| PTC123A50CC | P1225237R |
| PTC125A30CA | P1202332R |
| PTC125A30CC | P1202333R |
| PTC153A00CC | P1225244R |
| PTC153A00CC | P1225280R |
| PTC153A25CC | P1225268R |
| PTC153A25CC | P1225281R |
| PTC153A35CC | P1225243R |
| PTC153A35CC | P1225282R |
| PTC153A50CC | P1225245R |
| PTC153A50CC | P1225283R |

# Parts

## Package Terminal Air Conditioner



This manual is to be used by qualified appliance technicians only. Amana does not assume any responsibility for property damage or personal injury for improper service procedures performed by an unqualified person.



RP4210020  
Revision 1  
January 2002

## **Important Information**

---

Amana is not responsible for personal injury or property damage resulting from improper service. Review all service information before beginning repairs.

Warranty service must be performed by an authorized technician, using authorized factory parts. If service is required after the warranty expires, Amana also recommends contacting an authorized technician and using authorized factory parts.

For assistance within the U.S.A. contact:

Consumer Affairs Department  
Amana Heating and Air Conditioning  
1810 Wilson Parkway  
Fayetteville, TN 37334  
877-254-4729-Telephone  
931-438-2922-Facsimile

For assistance outside the U.S.A. contact:

International Division  
Amana Heating and Air Conditioning  
1810 Wilson Parkway  
Fayetteville, TN 37334  
931-438-3632-Telephone  
931-438-2922-Facsimile

# Index

|                              |        |
|------------------------------|--------|
| Functional Parts List .....  | 4 - 5  |
| Illustration and Parts ..... | 6 - 19 |

*Views shown are for parts illustrations only, not servicing procedures.*

### Text Codes:

AR - As Required

NA - Not Available

NS - Not Shown

00000000 - See Note

QTY - Quantity Example (QTY 3) (If Quantity not shown, Quantity = 1)

M - Model Example (M1) (If M Code not shown, then part is used on all Models)

### Expanded Model and Color Nomenclature:

|              |         |
|--------------|---------|
| Example      |         |
| M1 - Model#1 | P _____ |
| M2 - Model#2 | P _____ |
| M3 - Model#3 | P _____ |

# Functional Parts

## Part

## No: Description:

---

|          |  |
|----------|--|
| D6789051 | CAPACITOR (M4, M5, M6, M19)  |
| D6789024 | CAPACITOR-DUAL (M17, M18)  |
| D6789043 | CAPACITOR-POLY (M1)  |
| D6789049 | CAPACITOR-POLY (M9, M10, M11, M15)   |
| D6789054 | CAPACITOR-ROUND (M2, M3, M7, M8, M16, M20)   |
| D6926120 | COMP 2K21S236C-7A (M17, M18)   |
| D6926116 | COMP 2K21S3R236A-7A (M9, M10, M11, M12, M13, M15)  |
| D6926117 | COMP-PN 2K21S3R276A (M1, M19)  |
| D6985807 | COMP-PN 2P17S3R236A (M4, M5, M6, M19)  |
| D6887709 | COMP-PN 2R10S3R236A (M7, M8, M14, M20)   |
| D6887711 | COMP-PN 2R13S3R236A (M2, M3, M16)  |
| 20007503 | COND ASSY (M1, M2, M3, M4, M5, M6, M9, M10, M11, M12, M13, M14, M15, M16, M17, M18, M19) |
| 20007702 | COND ASSY (M7, M8, M20)  |
| 11114401 | CORD-250V 15A (M2, M4, M7, M10, M12, M13, M14, M15, M16, M17, M19, M20)                  |
| 11114501 | CORD-250V 20A (M3, M5, M8, M9, M18)  |
| 11114601 | CORD-250V 30A (M6, M11)  |
| 11165803 | EVAP ASSY (M7, M8, M20)  |
| 11165703 | EVAP ASSY (M2, M3, M16)  |
| 11165603 | EVAP ASSY (M1, M4, M5, M6, M9, M10, M11, M15, M17, M18, M19)                             |
| 20284902 | FILTER DRIER ASSEMBLY (M3, M4, M15)  |
| 20284901 | FILTER DRIER ASSEMBLY (M8, M9, M14)  |
| 20284904 | FILTER DRIER ASSEMBLY (M1, M2, M5, M6, M7, M16)  |
| 20284906 | FILTER DRIER ASSEMBLY (M10, M11, M12, M13, M17, M18, M19, M20)                           |
| 11116201 | HTR 3 1.5KW ASSY (M20)   |
| 20252002 | HTR 3 2.5KW ASSY (M2, M7, M12, M13, M14, M15, M17, M19)                                  |
| 20252003 | HTR 3 3.5KW ASSY (M3, M5, M8, M9, M18)   |
| 20252005 | HTR 3 5.0KW ASSY (M6, M11)   |
| 20252008 | HTR 4 3.7KW ASSY (M1)  |
| 20295701 | INDOOR AMBIENT THERMISTOR (M12, M13, M14)  |
| 11114910 | MOTOR-FAN (M1)   |
| 11114909 | MOTOR-FAN (M4, M5, M6, M9, M10, M11, M15, M17, M18, M19)                                 |
| 11114907 | MOTOR-FAN (M2, M3, M7, M8, M16, M20)   |
| 20295502 | PC BOARD   |
| 20295702 | THERMISTOR   |
| 11044101 | WHEEL-BLOWER   |

# Functional Parts

## Part

## No: Description:

---

### SPECIAL PARTS

|           |  |
|-----------|--|
| 11113303  | MANUAL-OWNERS (M2, M3, M4, M5, M6, M7, M8, M9, M10, M11)   |
| 11113306  | MANUAL-OWNERS (M12, M13, M14, M15, M16, M17, M18, M19, M20)                                      |
| 20163303  | MANUAL-OWNERS (M1)   |
| RP4210020 | PARTS MANUAL   |
| RS4200001 | SERVICE MANUAL   |
| 20163201  | WARRANTY (M1)  |
| 11046401  | WARRANTY (M2, M3, M4, M5, M6, M7, M8, M9, M10, M11, M12, M13, M14, M15, M16, M17, M18, M19, M20) |

### Expanded Model and Color Nomenclature

|                 |             |
|-----------------|-------------|
| M1 - P1202332R  | PTC125A30CA |
| M2 - P1202333R  | PTC125A30CC |
| M3 - P1225233R  | PTC093A25CC |
| M4 - P1225234R  | PTC093A35CC |
| M5 - P1225235R  | PTC123A00CC |
| M6 - P1225236R  | PTC123A35CC |
| M7 - P1225237R  | PTC123A50CC |
| M8 - P1225241R  | PTC073A25CC |
| M9 - P1225242R  | PTC073A35CC |
| M10 - P1225243R | PTC153A35CC |
| M11 - P1225244R | PTC153A00CC |
| M12 - P1225245R | PTC153A50CC |
| M13 - P1225268R | PTC153A25CC |
| M14 - P1225276R | PTC073A15CC |
| M15 - P1225278R | PTC093A00CC |
| M16 - P1225279R | PTC123A25CC |
| M17 - P1225280R | PTC153A00CC |
| M18 - P1225281R | PTC153A25CC |
| M19 - P1225282R | PTC153A35CC |
| M20 - P1225283R | PTC153A50CC |

# Front/Chassis

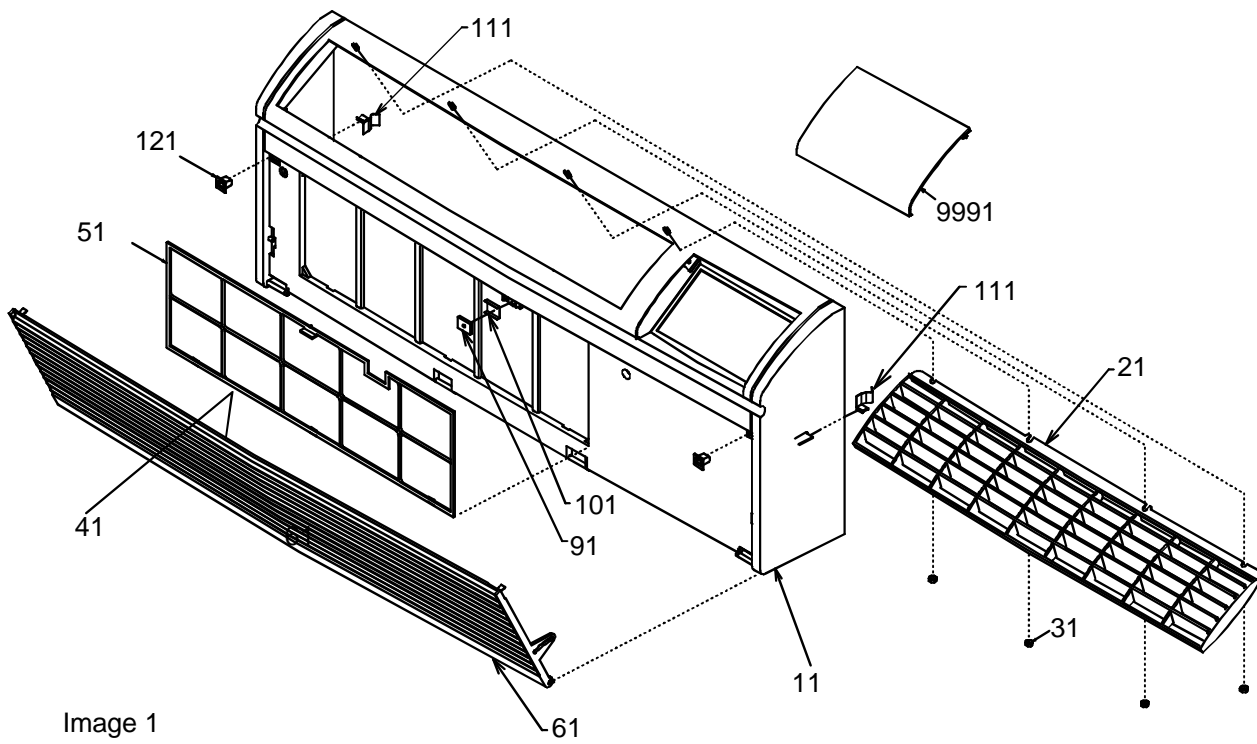
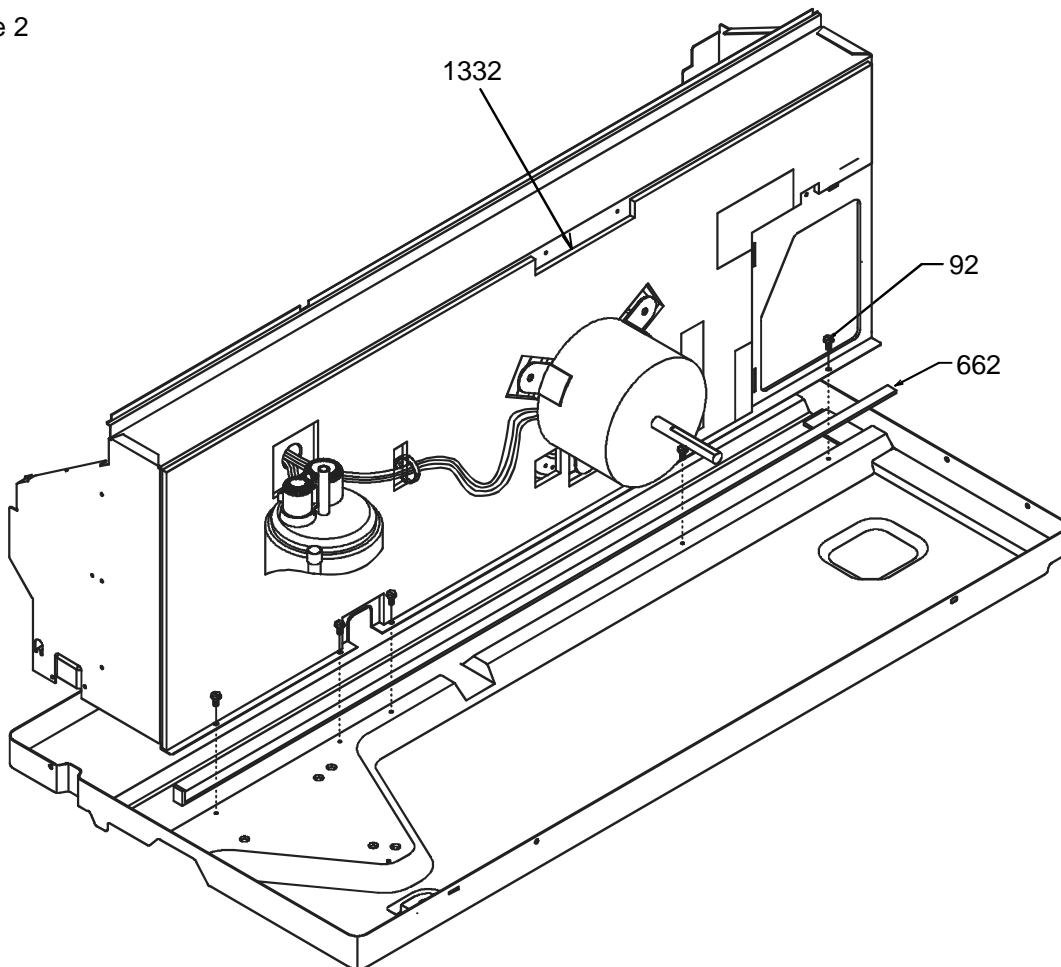


Image 1

Image 2



# Front/Chassis

| Ref. Part No: | Part No: | Description: | Ref. Part No: | Part No: | Description: |
|---------------|----------|--------------|---------------|----------|--------------|
|---------------|----------|--------------|---------------|----------|--------------|

*Image 1:*

|      |          |                         |
|------|----------|-------------------------|
| 11   | 11042701 | FRONT                   |
| 21   | 11167401 | GRILLE-DISCHARGE        |
| 31   | M0293604 | PALNUT (QTY 4)          |
| 41   | 11047101 | STRIKE                  |
| 51   | 11045201 | FILTER                  |
| 61   | 20282501 | GRILLE ASSY             |
| 91   | 11047301 | MAGNET                  |
| 101  | 11047201 | HOLDER-MAGNET           |
| 111  | 11045102 | CLIP-SIDE (QTY 2)       |
| 121  | 10690002 | DOOR CATCH ASSY (QTY 2) |
| 9991 | 11167602 | COVER-ACCESS            |

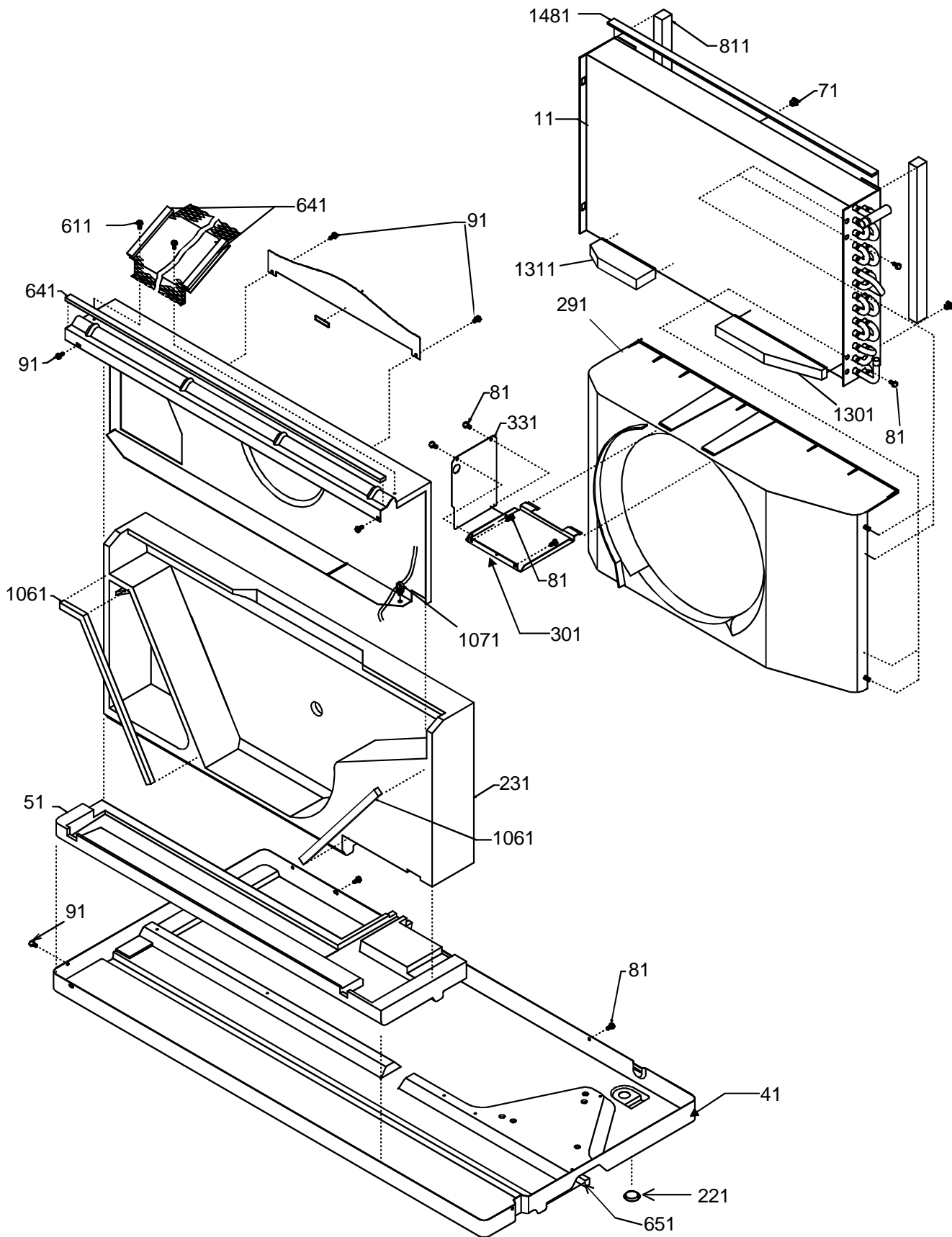
*Image 2:*

|      |          |                     |
|------|----------|---------------------|
| 92   | M0216716 | SCREW-SM (QTY AR)   |
| 662  | 10839823 | GASKET 41.00X.50    |
| 1332 | 20208601 | INSUL-PARTITION PNL |

### Expanded Model and Color Nomenclature

|                 |             |
|-----------------|-------------|
| M1 - P1202332R  | PTC125A30CA |
| M2 - P1202333R  | PTC125A30CC |
| M3 - P1225233R  | PTC093A25CC |
| M4 - P1225234R  | PTC093A35CC |
| M5 - P1225235R  | PTC123A00CC |
| M6 - P1225236R  | PTC123A35CC |
| M7 - P1225237R  | PTC123A50CC |
| M8 - P1225241R  | PTC073A25CC |
| M9 - P1225242R  | PTC073A35CC |
| M10 - P1225243R | PTC153A35CC |
| M11 - P1225244R | PTC153A00CC |
| M12 - P1225245R | PTC153A50CC |
| M13 - P1225268R | PTC153A25CC |
| M14 - P1225276R | PTC073A15CC |
| M15 - P1225278R | PTC093A00CC |
| M16 - P1225279R | PTC123A25CC |
| M17 - P1225280R | PTC153A00CC |
| M18 - P1225281R | PTC153A25CC |
| M19 - P1225282R | PTC153A35CC |
| M20 - P1225283R | PTC153A50CC |

# Chassis



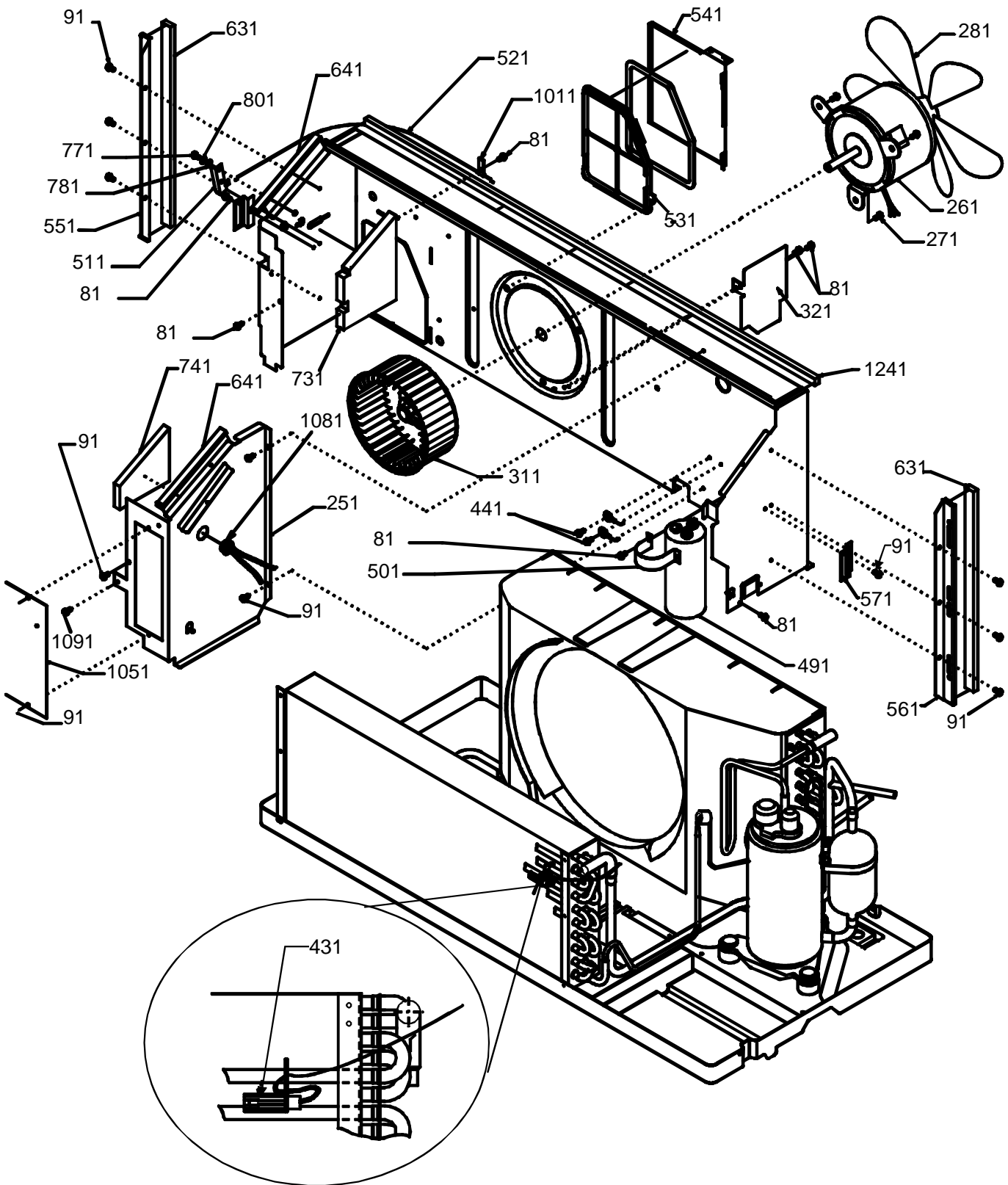
# Chassis

| Ref. Part No:   | No:      | Description:   | Ref. Part No: | No: | Description: |
|-----------------|----------|--|---------------|-----|--------------|
| <i>Image 1:</i> |          |  |               |     |              |
| 11              | 20007503 | COND ASSY (M1, M2, M3, M4, M5, M6, M9, M10, M11, M12, M13, M14, M15, M16, M17, M18, M19)           |               |     |              |
| 11              | 20007702 | COND ASSY (M7, M8, M20)  |               |     |              |
| 41              | 11042510 | BASEPAN-PNT (M18)  |               |     |              |
| 41              | 11042511 | BASEPAN-PNT (M1, M2, M3, M4, M5, M6, M7, M8, M9, M10, M11, M12, M13, M14, M15, M16, M17, M19, M20) |               |     |              |
| 51              | 11044702 | PAD-EVAPORATOR   |               |     |              |
| 71              | A3315701 | GROMMET (QTY 4)  |               |     |              |
| 81              | M0211216 | SCREW-SM (QTY AR)  |               |     |              |
| 91              | M0216716 | SCREW-SM (QTY AR)  |               |     |              |
| 221             | A3080003 | PLUG-BUTTON  |               |     |              |
| 231             | 11045802 | SCROLL-BLOWER  |               |     |              |
| 291             | 11167301 | SHROUD-CONDENSER   |               |     |              |
| 301             | 11044201 | BRACE-TIE (M15, M16, M17, M18, M19, M20)   |               |     |              |
| 331             | 11046502 | TOP BAFF-PNT (M1, M2, M3, M4, M5, M6, M7, M8, M9, M10, M11)  |               |     |              |
| 331             | 11046501 | TOP-BAFFLE (M12, M13, M14, M15, M16, M17, M18, M19, M20)   |               |     |              |
| 611             | M0204517 | SCREW-SM STL ZINC  |               |     |              |
| 641             | 10839705 | GASKET .500 X .250   |               |     |              |
| 651             | 10839808 | GASKET-CROSS LINK (QTY AR)   |               |     |              |
| 811             | 10839712 | GASKET .625 X .750 (QTY AR)  |               |     |              |
| 1061            | 10839706 | GASKET .500 X .500 (QTY AR)  |               |     |              |
| 1071            | M0120801 | CLIP-GUIDE   |               |     |              |
| 1301            | 20189701 | INSUL-COND RH  |               |     |              |
| 1311            | 20189801 | INSUL-COND LH  |               |     |              |
| 1481            | 10839822 | GASKET 24.25X.50   |               |     |              |

## Expanded Model and Color Nomenclature

|                 |             |
|-----------------|-------------|
| M1 - P1202332R  | PTC125A30CA |
| M2 - P1202333R  | PTC125A30CC |
| M3 - P1225233R  | PTC093A25CC |
| M4 - P1225234R  | PTC093A35CC |
| M5 - P1225235R  | PTC123A00CC |
| M6 - P1225236R  | PTC123A35CC |
| M7 - P1225237R  | PTC123A50CC |
| M8 - P1225241R  | PTC073A25CC |
| M9 - P1225242R  | PTC073A35CC |
| M10 - P1225243R | PTC153A35CC |
| M11 - P1225244R | PTC153A00CC |
| M12 - P1225245R | PTC153A50CC |
| M13 - P1225268R | PTC153A25CC |
| M14 - P1225276R | PTC073A15CC |
| M15 - P1225278R | PTC093A00CC |
| M16 - P1225279R | PTC123A25CC |
| M17 - P1225280R | PTC153A00CC |
| M18 - P1225281R | PTC153A25CC |
| M19 - P1225282R | PTC153A35CC |
| M20 - P1225283R | PTC153A50CC |

# Chassis



# Chassis

| Ref. Part No:   | No:      | Description:   | Ref. Part No:                         | No: | Description: |
|-----------------|----------|--|---------------------------------------|-----|--------------|
| <i>Image 1:</i> |          |  | Expanded Model and Color Nomenclature |     |              |
| 81              | M0211216 | SCREW-SM (QTY AR)  | M1 - P1202332R                        |     | PTC125A30CA  |
| 91              | M0216716 | SCREW-SM (QTY AR)  | M2 - P1202333R                        |     | PTC125A30CC  |
| 251             | 11167504 | PANEL-MID PART   | M3 - P1225233R                        |     | PTC093A25CC  |
| 261             | 11114907 | MOTOR-FAN (M2, M3, M7, M8, M16, M20)   | M4 - P1225234R                        |     | PTC093A35CC  |
| 261             | 11114909 | MOTOR-FAN (M4, M5, M6, M9, M10, M11, M15, M17, M18, M19)   | M5 - P1225235R                        |     | PTC123A00CC  |
| 261             | 11114910 | MOTOR-FAN (M1)   | M6 - P1225236R                        |     | PTC123A35CC  |
| 271             | M0224956 | SCREW-TAP R (QTY 3)  | M7 - P1225237R                        |     | PTC123A50CC  |
| 281             | 20046501 | FAN-PL. COND.  | M8 - P1225241R                        |     | PTC073A25CC  |
| 311             | 11044101 | WHEEL-BLOWER   | M9 - P1225242R                        |     | PTC073A35CC  |
| 321             | 20245401 | BAFFLE-COND INLT (M12, M13, M14)   | M10 - P1225243R                       |     | PTC153A35CC  |
| 321             | 20245402 | COND INLET BAFF-PNT  | M11 - P1225244R                       |     | PTC153A00CC  |
| 431             | 20075601 | CLIP-T'STAT (QTY AR)   | M12 - P1225245R                       |     | PTC153A50CC  |
| 441             | M0227803 | SCREW-TC (QTY 2)   | M13 - P1225268R                       |     | PTC153A25CC  |
| 491             | D6789051 | CAPACITOR (M4, M5, M6, M19)  | M14 - P1225276R                       |     | PTC073A15CC  |
| 491             | D6789024 | CAPACITOR-DUAL (M17, M18)  | M15 - P1225278R                       |     | PTC093A00CC  |
| 491             | D6789043 | CAPACITOR-POLY (M1)  | M16 - P1225279R                       |     | PTC123A25CC  |
| 491             | D6789049 | CAPACITOR-POLY (M9, M10, M11, M15)   | M17 - P1225280R                       |     | PTC153A00CC  |
| 491             | D6789054 | CAPACITOR-ROUND (M2, M3, M7, M8, M16, M20)   | M18 - P1225281R                       |     | PTC153A25CC  |
| 501             | C6300502 | STRAP-CAPACITOR CO (M2, M3, M4, M5, M6, M7, M8, M9, M10, M11, M15, M16, M19, M20)                | M19 - P1225282R                       |     | PTC153A35CC  |
| 501             | C6300503 | STRAP-CAPACITOR CO (M1, M17, M18)  | M20 - P1225283R                       |     | PTC153A50CC  |
| 511             | 11046302 | LEVER ARM (M1, M2, M3, M4, M5, M6, M7, M8, M9, M10, M11, M12, M13, M14, M15, M16, M17, M18, M19) |                                       |     |              |
| 521             | 11115401 | CABLE  |                                       |     |              |
| 531             | 11046201 | FILTER-VENT  |                                       |     |              |
| 541             | 11046106 | VENT DOOR-PNT (M1, M2, M3, M4, M5, M6, M7, M8, M9, M10, M11)                                     |                                       |     |              |
| 551             | 11044902 | SEAL-L SIDE  |                                       |     |              |
| 561             | 11044901 | SEAL-R SIDE  |                                       |     |              |
| 571             | 11191702 | BRKT-PART PAN (QTY 2)  |                                       |     |              |
| 631             | 10839807 | GASKET-CROSS LINK (QTY AR)   |                                       |     |              |
| 641             | 10839705 | GASKET .500 X .250 (QTY AR)  |                                       |     |              |
| 731             | 11122901 | INSUL-LEFT   |                                       |     |              |
| 741             | 11123001 | INSUL-RIGHT  |                                       |     |              |
| 771             | M0220757 | SCREW-SHLDR  |                                       |     |              |
| 781             | M0273701 | WASHER-SPRING  |                                       |     |              |
| 801             | M0270529 | WASHER-FLAT  |                                       |     |              |
| 1011            | M0108103 | CLAMP-TUBE   |                                       |     |              |
| 1051            | 11167602 | COVER-ACCESS PTC   |                                       |     |              |
| 1081            | A4554801 | BUSHING-SNAP   |                                       |     |              |
| 1091            | M0216529 | SCREW-SM (QTY 4)   |                                       |     |              |
| 1241            | 10839814 | GASKET-CROSS LINK (QTY AR)   |                                       |     |              |

# Compressor/Tubing

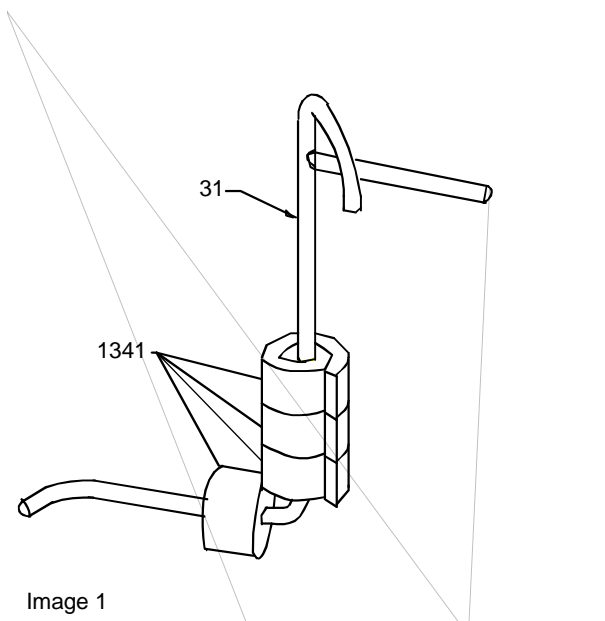
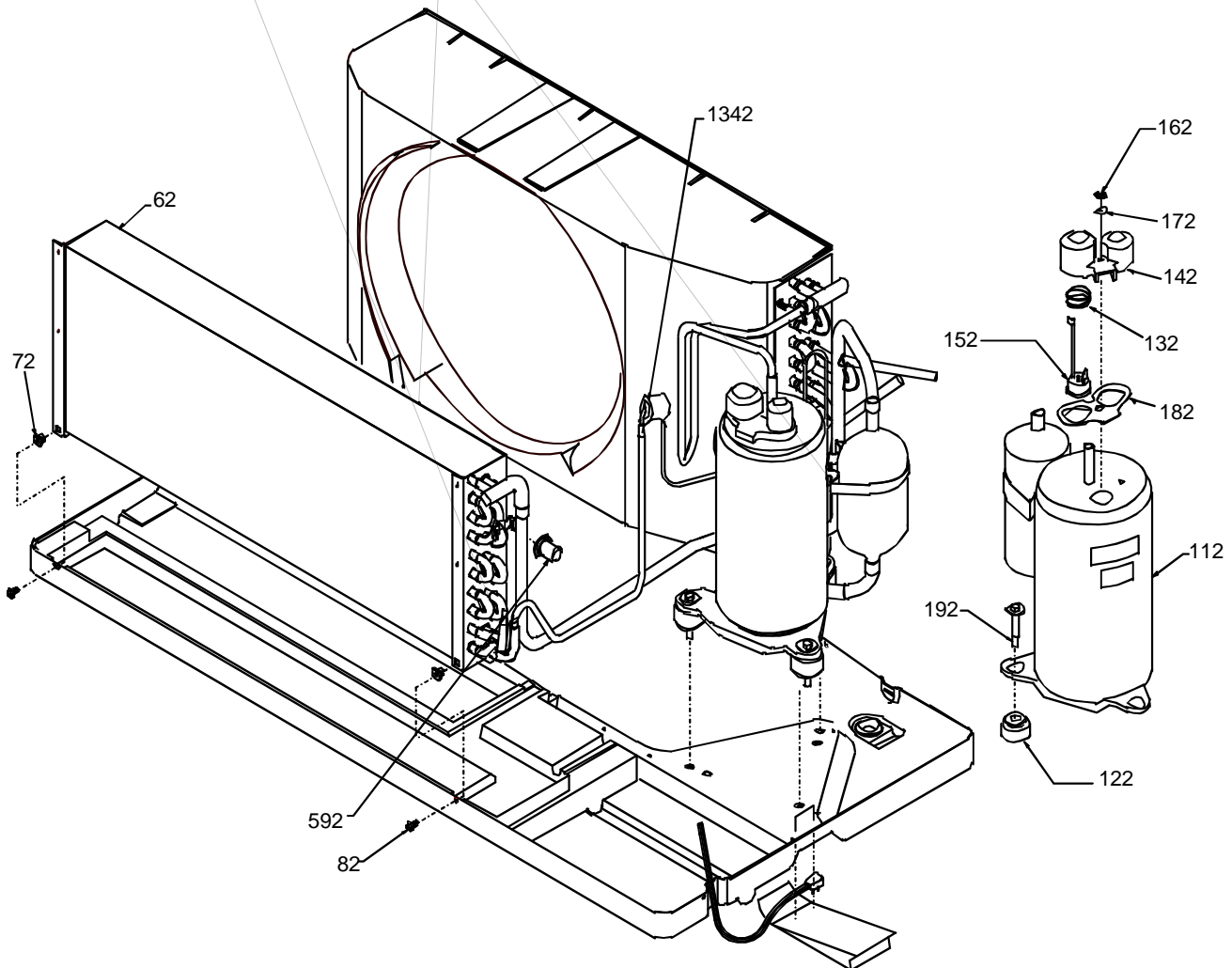


Image 1

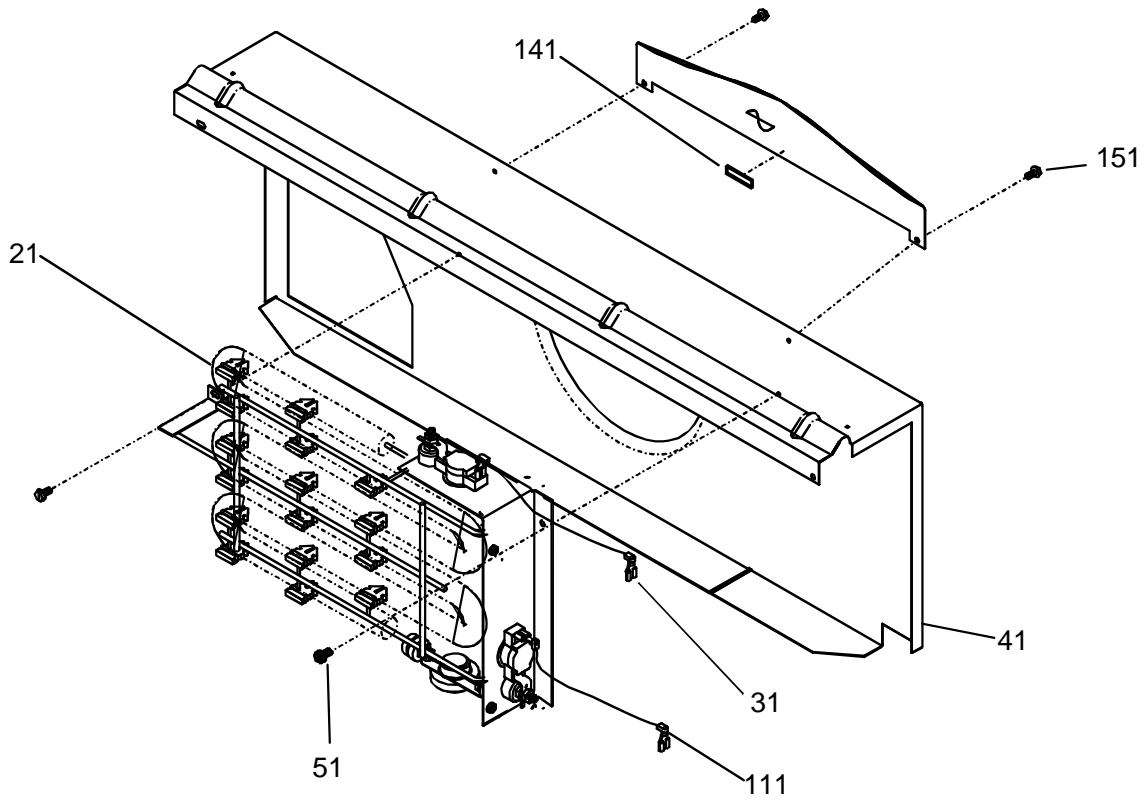
Image 2



# Compressor/Tubing

| Ref. Part No:   | Ref. Part No: | Description:  | Description:                                 |
|-----------------|---------------|---|--|
| <i>Image 1:</i> |               |   | <b>Expanded Model and Color Nomenclature</b> |
| 31              | 11144601      | TUBE-SUCTION (M1, M4, M5, M6, M9, M10, M11, M12, M13, M14, M15, M17, M18, M19)              | M1 - P1202332R PTC125A30CA                   |
| 31              | 11194101      | TUBE-SUCTION (M7, M8, M20)  | M2 - P1202333R PTC125A30CC                   |
| 31              | 11194301      | TUBE-SUCTION (M2, M3, M16)  | M3 - P1225233R PTC093A25CC                   |
| 1341            | 11154803      | SEALER-RUBBER BASED (QTY AR)  | M4 - P1225234R PTC093A35CC                   |
| <i>Image 2:</i> |               |   | M5 - P1225235R PTC123A00CC                   |
| 62              | 11165603      | EVAP ASSY (M1, M4, M5, M6, M9, M10, M11, M15, M17, M18, M19)                                | M6 - P1225236R PTC123A35CC                   |
| 62              | 11165703      | EVAP ASSY (M2, M3, M16)   | M7 - P1225237R PTC123A50CC                   |
| 62              | 11165803      | EVAP ASSY (M7, M8, M20)   | M8 - P1225241R PTC073A25CC                   |
| 72              | A3315701      | GROMMET (QTY 4)   | M9 - P1225242R PTC073A35CC                   |
| 82              | M0211216      | SCREW-SM (QTY AR)   | M10 - P1225243R PTC153A35CC                  |
| 112             | D6926120      | COMP 2K21S236C-7A (M17, M18)  | M11 - P1225244R PTC153A00CC                  |
| 112             | D6926116      | COMP 2K21S3R236A-7A (M9, M10, M11, M12, M13, M15)   | M12 - P1225245R PTC153A50CC                  |
| 112             | D6926117      | COMP-PN 2K21S3R276A (M1, M19)   | M13 - P1225268R PTC153A25CC                  |
| 112             | D6985807      | COMP-PN 2P17S3R236A (M4, M5, M6, M19)   | M14 - P1225276R PTC073A15CC                  |
| 112             | D6887709      | COMP-PN 2R10S3R236A (M7, M8, M14, M20)  | M15 - P1225278R PTC093A00CC                  |
| 112             | D6887711      | COMP-PN 2R13S3R236A (M2, M3, M16)   | M16 - P1225279R PTC123A25CC                  |
| 122             | A3448601      | GROMMET (M1, M4, M5, M6, M9, M11, M12, M13, M15, M17, M18, M19)                             | M17 - P1225280R PTC153A00CC                  |
| 122             | A4622801      | GROMMET (M2, M3, M7, M8, M10, M14, M16, M20)  | M18 - P1225281R PTC153A25CC                  |
| 132             | A3436901      | SPRING-OVERLOAD   | M19 - P1225282R PTC153A35CC                  |
| 142             | 20120101      | CAP-COMP TERM COVER (M1, M2, M3, M4, M5, M6, M7, M8, M9, M10, M11)                          | M20 - P1225283R PTC153A50CC                  |
| 152             | D4976682      | OVERLOAD (M17, M18)   |  |
| 152             | D6961607      | OVERLOAD (M9, M10, M11, M12, M13, M14, M15)   |  |
| 152             | D6961612      | OVERLOAD (M4, M5, M6, M19)  |  |
| 152             | D6961636      | OVERLOAD (M7, M8, M20)  |  |
| 152             | D6961639      | OVERLOAD (M2, M3, M16)  |  |
| 152             | D6961658      | OVERLOAD (M1)   |  |
| 162             | A3436601      | NUT-TERM COVER (M1, M2, M3, M4, M5, M6, M7, M8, M9, M10, M11, M15, M16, M17, M18, M19, M20) |  |
| 172             | A3436801      | GASKET-NUT  |  |
| 182             | A3436701      | GASKET-TERM COVER   |  |
| 192             | M0253610      | SCREW-SHLDR (M1, M4, M5, M6, M9, M10, M11, M15, M17, M18, M19)                              |  |
| 192             | M0253661      | SCREW-SHLDR (M2, M3, M7, M8, M16, M20)  |  |
| 592             | 20295702      | THERMISTOR  |  |
| 1342            | 11154803      | SEALER-RUBBER BASED (QTY AR)  |  |

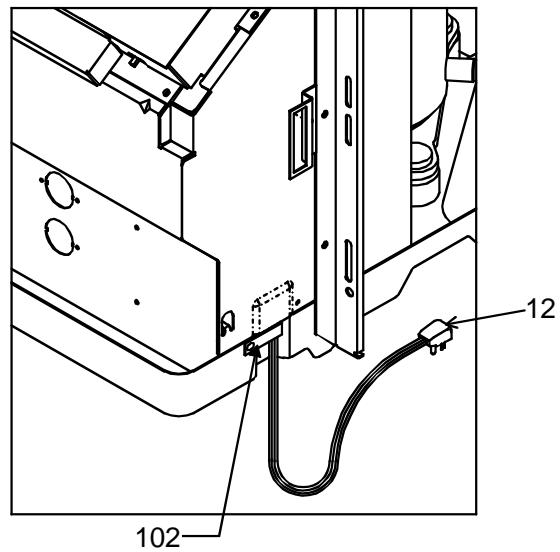
# Heater



SINGLE STAGE HEAT

Image 1

Image 2



# Heater

| Ref. Part No: | Part No: | Description: | Ref. Part No: | Part No: | Description: |
|---------------|----------|--------------|---------------|----------|--------------|
|---------------|----------|--------------|---------------|----------|--------------|

*Image 1:*

|     |          |   |
|-----|----------|---|
| 21  | 11116201 | HTR 3 1.5KW ASSY (M20)                                  |
| 21  | 20252002 | HTR 3 2.5KW ASSY (M2, M7, M12, M13, M14, M15, M17, M19) |
| 21  | 20252003 | HTR 3 3.5KW ASSY (M3, M5, M8, M9, M18)                  |
| 21  | 20252005 | HTR 3 5.0KW ASSY (M6, M11)                              |
| 21  | 20252008 | HTR 4 3.7KW ASSY (M1)                                   |
| 31  | 20260805 | WIRE-JUMPER BR34  |
| 41  | 11044304 | BLOWER INTAKE   |
| 51  | M0216716 | SCREW-SM (QTY 2)  |
| 111 | 20260804 | WIRE-JUMPER BR35  |
| 141 | 10839722 | GASKET .250 X .062                                      |
| 151 | M0216716 | SCREW-SM (QTY 2)  |

*Image 2:*

|     |          |   |
|-----|----------|---|
| 12  | 11114401 | CORD-250V 15A (M2, M4, M7, M10, M12, M13, M14, M15, M16, M17, M19, M20) |
| 12  | 11114501 | CORD-250V 20A (M3, M5, M8, M9, M18)                                     |
| 12  | 11114601 | CORD-250V 30A (M6, M11)   |
| 102 | M0103905 | CLAMP-SPEED (M2, M4, M7, M10, M13, M14, M15, M16, M17, M19, M20)        |
| 102 | M0103906 | CLAMP-SPEED (M1, M3, M5, M6, M8, M9, M11, M12, M18)                     |

## Expanded Model and Color Nomenclature

|                 |             |
|-----------------|-------------|
| M1 - P1202332R  | PTC125A30CA |
| M2 - P1202333R  | PTC125A30CC |
| M3 - P1225233R  | PTC093A25CC |
| M4 - P1225234R  | PTC093A35CC |
| M5 - P1225235R  | PTC123A00CC |
| M6 - P1225236R  | PTC123A35CC |
| M7 - P1225237R  | PTC123A50CC |
| M8 - P1225241R  | PTC073A25CC |
| M9 - P1225242R  | PTC073A35CC |
| M10 - P1225243R | PTC153A35CC |
| M11 - P1225244R | PTC153A00CC |
| M12 - P1225245R | PTC153A50CC |
| M13 - P1225268R | PTC153A25CC |
| M14 - P1225276R | PTC073A15CC |
| M15 - P1225278R | PTC093A00CC |
| M16 - P1225279R | PTC123A25CC |
| M17 - P1225280R | PTC153A00CC |
| M18 - P1225281R | PTC153A25CC |
| M19 - P1225282R | PTC153A35CC |
| M20 - P1225283R | PTC153A50CC |

# Control Panel

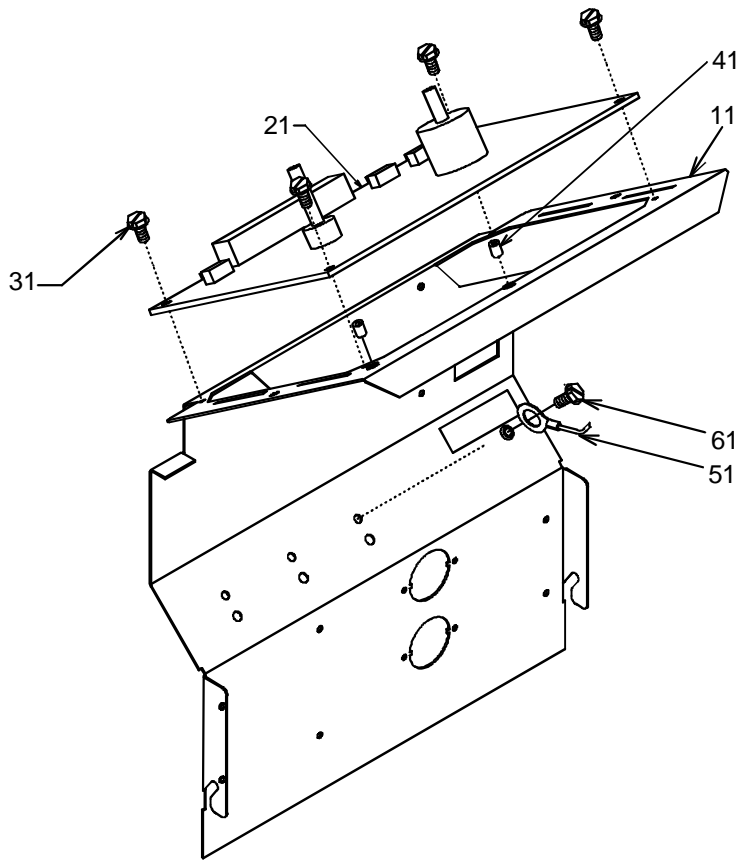
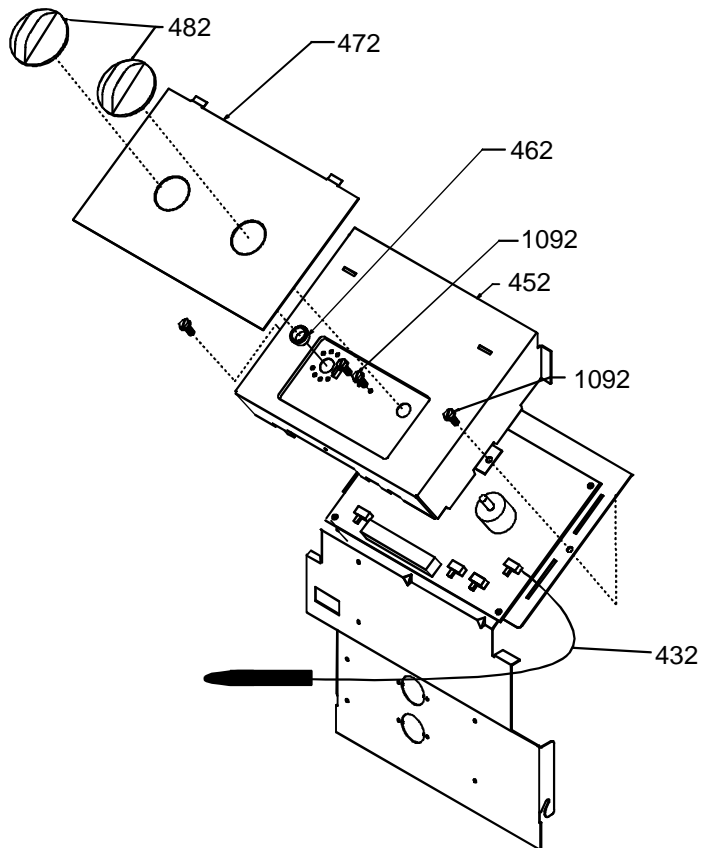


Image 1

Image 2



# Control Panel

| Ref. Part No: | Ref. Part No: | Description: | Description: |
|---------------|---------------|--------------|--------------|
|---------------|---------------|--------------|--------------|

*Image 1:*

|    |          |                  |
|----|----------|------------------|
| 11 | 11044504 | PANEL-CONTROL    |
| 21 | 20295502 | PC BOARD         |
| 31 | M0216529 | SCREW-SM (QTY 4) |
| 41 | M0590702 | SUPPORT (QTY 2)  |
| 51 | 10618849 | WIRE-JUMPER GN1  |
| 61 | M0227803 | SCREW-TC         |

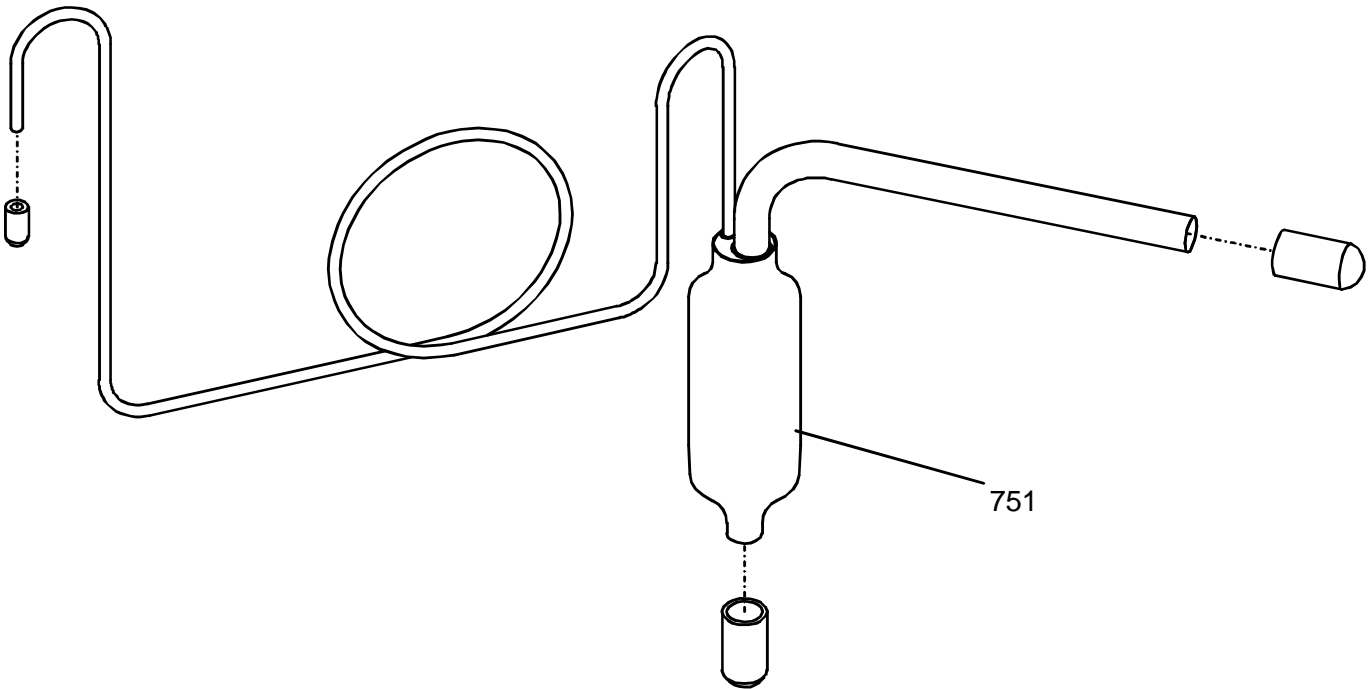
*Image 2:*

|      |          |   |
|------|----------|---|
| 432  | 20295701 | INDOOR AMBIENT THERMISTOR (M12, M13, M14) |
| 452  | 11044403 | COVER-CONT PANEL                          |
| 462  | M0117902 | CLIP-TUBULAR                              |
| 472  | 20005701 | PLATE-ESC                                 |
| 482  | 11042902 | KNOB-CONTROL (QTY 2)                      |
| 1092 | M0216529 | SCREW-SM (QTY 4)                          |

### Expanded Model and Color Nomenclature

|                 |             |
|-----------------|-------------|
| M1 - P1202332R  | PTC125A30CA |
| M2 - P1202333R  | PTC125A30CC |
| M3 - P1225233R  | PTC093A25CC |
| M4 - P1225234R  | PTC093A35CC |
| M5 - P1225235R  | PTC123A00CC |
| M6 - P1225236R  | PTC123A35CC |
| M7 - P1225237R  | PTC123A50CC |
| M8 - P1225241R  | PTC073A25CC |
| M9 - P1225242R  | PTC073A35CC |
| M10 - P1225243R | PTC153A35CC |
| M11 - P1225244R | PTC153A00CC |
| M12 - P1225245R | PTC153A50CC |
| M13 - P1225268R | PTC153A25CC |
| M14 - P1225276R | PTC073A15CC |
| M15 - P1225278R | PTC093A00CC |
| M16 - P1225279R | PTC123A25CC |
| M17 - P1225280R | PTC153A00CC |
| M18 - P1225281R | PTC153A25CC |
| M19 - P1225282R | PTC153A35CC |
| M20 - P1225283R | PTC153A50CC |

# Capillary Tubing



# Capillary Tubing

| Ref. Part No: | Ref. Part No: | Description: | Description: |
|---------------|---------------|--------------|--------------|
|---------------|---------------|--------------|--------------|

Image 1:

|     |          |  |
|-----|----------|--|
| 751 | 20284901 | FILTER DRIER ASSEMBLY (M8, M9, M14)                            |
| 751 | 20284902 | FILTER DRIER ASSEMBLY (M3, M4, M15)                            |
| 751 | 20284904 | FILTER DRIER ASSEMBLY (M1, M2, M5, M6, M7, M16)                |
| 751 | 20284906 | FILTER DRIER ASSEMBLY (M10, M11, M12, M13, M17, M18, M19, M20) |

## Expanded Model and Color Nomenclature

|                 |             |
|-----------------|-------------|
| M1 - P1202332R  | PTC125A30CA |
| M2 - P1202333R  | PTC125A30CC |
| M3 - P1225233R  | PTC093A25CC |
| M4 - P1225234R  | PTC093A35CC |
| M5 - P1225235R  | PTC123A00CC |
| M6 - P1225236R  | PTC123A35CC |
| M7 - P1225237R  | PTC123A50CC |
| M8 - P1225241R  | PTC073A25CC |
| M9 - P1225242R  | PTC073A35CC |
| M10 - P1225243R | PTC153A35CC |
| M11 - P1225244R | PTC153A00CC |
| M12 - P1225245R | PTC153A50CC |
| M13 - P1225268R | PTC153A25CC |
| M14 - P1225276R | PTC073A15CC |
| M15 - P1225278R | PTC093A00CC |
| M16 - P1225279R | PTC123A25CC |
| M17 - P1225280R | PTC153A00CC |
| M18 - P1225281R | PTC153A25CC |
| M19 - P1225282R | PTC153A35CC |
| M20 - P1225283R | PTC153A50CC |