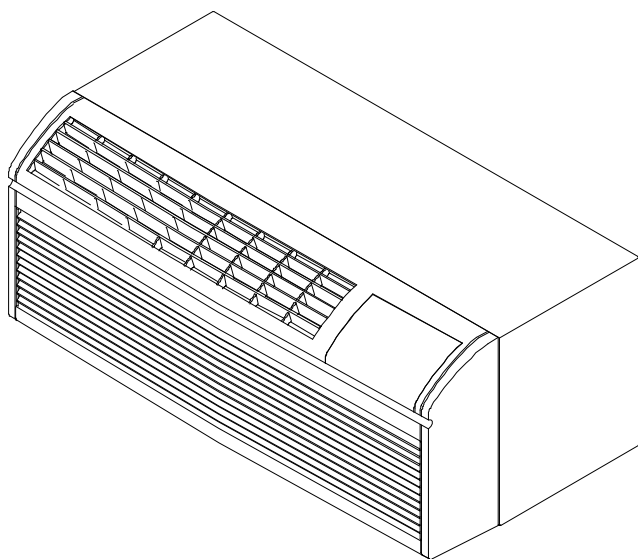


# Parts

## Package Terminal Air Conditioners



Models and manufacturing numbers in this manual

PTC093A25AA	P1202297R
PTC093A35AA	P1202285R
PTC094A25AA	P1202298R
PTC094A35AA	P1202286R
PTC123A25AA	P1202299R
PTC123A35AA	P1223502R
PTC123A50AA	P1223504R
PTC124A25AA	P1223501R
PTC124A35AA	P1223503R
PTC124A50AA	P1223505R
PTC153A25AA	P1223506R
PTC153A35AA	P1223508R
PTC153A50AA	P1223510R
PTC154A25AA	P1223507R
PTC154A35AA	P1223509R
PTC154A50AA	P1223511R

This manual is to be used by qualified appliance technicians only. Amana does not assume any responsibility for property damage or personal injury for improper service procedures done by an unqualified person.

**Amana**

RP4210006  
Revision 0  
January 1998

## Important Information

---

Amana is not responsible for personal injury or property damage resulting from improper service. Review all service information before beginning repairs.

Warranty service must be performed by an authorized technician, using authorized factory parts. If service is required after the warranty expires, Amana also recommends contacting an authorized technician and using authorized factory parts. Locate an authorized technician by calling 800-NATLSVC (800-628-5782) in the U.S.

For assistance within the U.S.A. contact:

Consumer Affairs Department  
Amana  
2800 220th Trail  
PO Box 8901  
Amana IA 52204-0001  
319-622-5511--Telephone  
319-622-2977--Facsimile

For assistance outside the U.S.A. contact:

International Division  
Amana  
2800 220th Trail  
PO Box 8901  
Amana IA 52204-0001  
USA  
319-622-5511--Telephone  
319-622-8595--Facsimile

# Index

Functional Parts List .....	4 - 5
Illustration and Parts .....	6 - 17

*Views shown are for parts illustrations only, not servicing procedures.*

## Text Codes:

AR - As Required

0000 - Not Shown

QTY - Quantity Example (QTY 3) (If Quantity not shown, Quantity = 1)

M - Model Example (M1) (If M Code not shown, then part is used on all Models)

## Expanded Model and Color Nomenclature:

Example

M1 - Model#1 P \_\_\_\_\_

M2 - Model#2 P \_\_\_\_\_

M3 - Model#3 P \_\_\_\_\_

# Functional Parts

## Part

## No: Description:

---

D6879833	CAPACITOR (M1, M3)
D6879823	CAPACITOR (M5, M7, M9)
D6789025	CAPACITOR-METAL (M12, M14, M16)
D6789049	CAPACITOR-POLY (M11, M13, M15)
D6879844	CAPACITOR-ROUND (M2, M4)
D6879842	CAPACITOR-ROUND (M6, M8, M10)
D6926116	COMP-PN 2K21S3R236A (M11, M13, M15)
D6926117	COMP-PN 2K21S3R276A (M12, M14, M16)
D6985807	COMP-PN 2P17S3R236A (M5, M7, M9)
D6985810	COMP-PN 2P17S3R276A (M6, M8, M10)
D6887711	COMP-PN 2R13S3R236A (M1, M3)
D6887712	COMP-PN 2R13S3R276A (M2, M4)
11114401	CORD-250V 15A (M3, M5, M11)
11114501	CORD-250V 20A (M1, M7, M13)
11114601	CORD-250V 30A (M9, M15)
11114801	CORD-277V 30A (M10, M16)
11114701	CORD-277V-20A (M2, M4, M6, M8, M12, M14)
11046702	DISC-THERMOSTAT (M5, M6, M7, M8, M9, M10, M11, M12, M13, M14, M15, M16)
11046703	DISC-THERMOSTAT (M1, M2, M3, M4)
A3410402	FUSE-15A (M4, M6, M12)
A3410403	FUSE-20A (M2, M8, M14)
A3410404	FUSE-25 AMP (M10, M16)
M0804205	FUSE-GLASS
11114905	MOTOR-FAN (M6, M8, M10)
11114904	MOTOR-FAN (M2, M4)
11114903	MOTOR-FAN (M11, M13, M15)
11114906	MOTOR-FAN (M12, M14, M16)
11114901	MOTOR-FAN (M1, M3)
11114902	MOTOR-FAN (M5, M7, M9)
D6961607	OVERLOAD (M11, M13, M15)
D6961657	OVERLOAD (M12, M14, M16)
D6961642	OVERLOAD (M2, M4)
D6961612	OVERLOAD (M5, M7, M9)
D6961643	OVERLOAD (M6, M8, M10)
D6961639	OVERLOAD (M1, M3)
11043302	PC BOARD
C8873917	RELAY (M9, M10)
B1158410	TSTAT-DISC TYPE (M16)
B1158408	TSTAT-DISC TYPE (M15)
B1158417	TSTAT-DISC TYPE (M9, M10)
B1158417	TSTAT-DISC TYPE (M9)
B1158418	TSTAT-DISC TYPE (M9, M10)
B1158415	TSTAT-DISC TYPE (M2, M8, M14)
B1158414	TSTAT-DISC TYPE (M2, M8, M14)
B1158416	TSTAT-DISC TYPE (M3, M5, M11, M15)
B1158412	TSTAT-DISC TYPE (M3, M5, M11)
B1158411	TSTAT-DISC TYPE (M4, M6, M12)
B1158411	TSTAT-DISC TYPE (M4, M6, M12, M16)

# Functional Parts

## Part

**No:**            **Description:**

---

### SPECIAL PARTS

11113301    MANUAL-OWNERS

RP4210006    MANUAL-PARTS

### Expanded Model and Color Nomenclature

M1 - PTC093A35AA	P1202285R
M2 - PTC094A35AA	P1202286R
M3 - PTC093A25AA	P1202297R
M4 - PTC094A25AA	P1202298R
M5 - PTC123A25AA	P1202299R
M6 - PTC124A25AA	P1223501R
M7 - PTC123A35AA	P1223502R
M8 - PTC124A35AA	P1223503R
M9 - PTC123A50AA	P1223504R
M10 - PTC124A50AA	P1223505R
M11 - PTC153A25AA	P1223506R
M12 - PTC154A25AA	P1223507R
M13 - PTC153A35AA	P1223508R
M14 - PTC154A35AA	P1223509R
M15 - PTC153A50AA	P1223510R
M16 - PTC154A50AA	P1223511R



# Front/Chassis

Ref. No:	Part No:	Description:	Ref. No:	Part No:	Description:
----------	----------	--------------	----------	----------	--------------

*Image 1*

0001	11143301	DOOR ASSY-AMANA
0011	11042701	FRONT
0021	11167401	GRILLE-DISCHARGE
0031	M0293604	PALNUT (QTY 4)
0051	11045201	FILTER
0061	11042602	GRILLE-INTAKE
0071	11047101	STRIKE
0081	M0253217	SCREW-TF (QTY AR)
0091	11047301	MAGNET
0101	11047201	HOLDER-MAGNET
0111	11045102	CLIP-SIDE (QTY 2)
0121	10690002	DOOR CATCH ASSY (QTY 2)

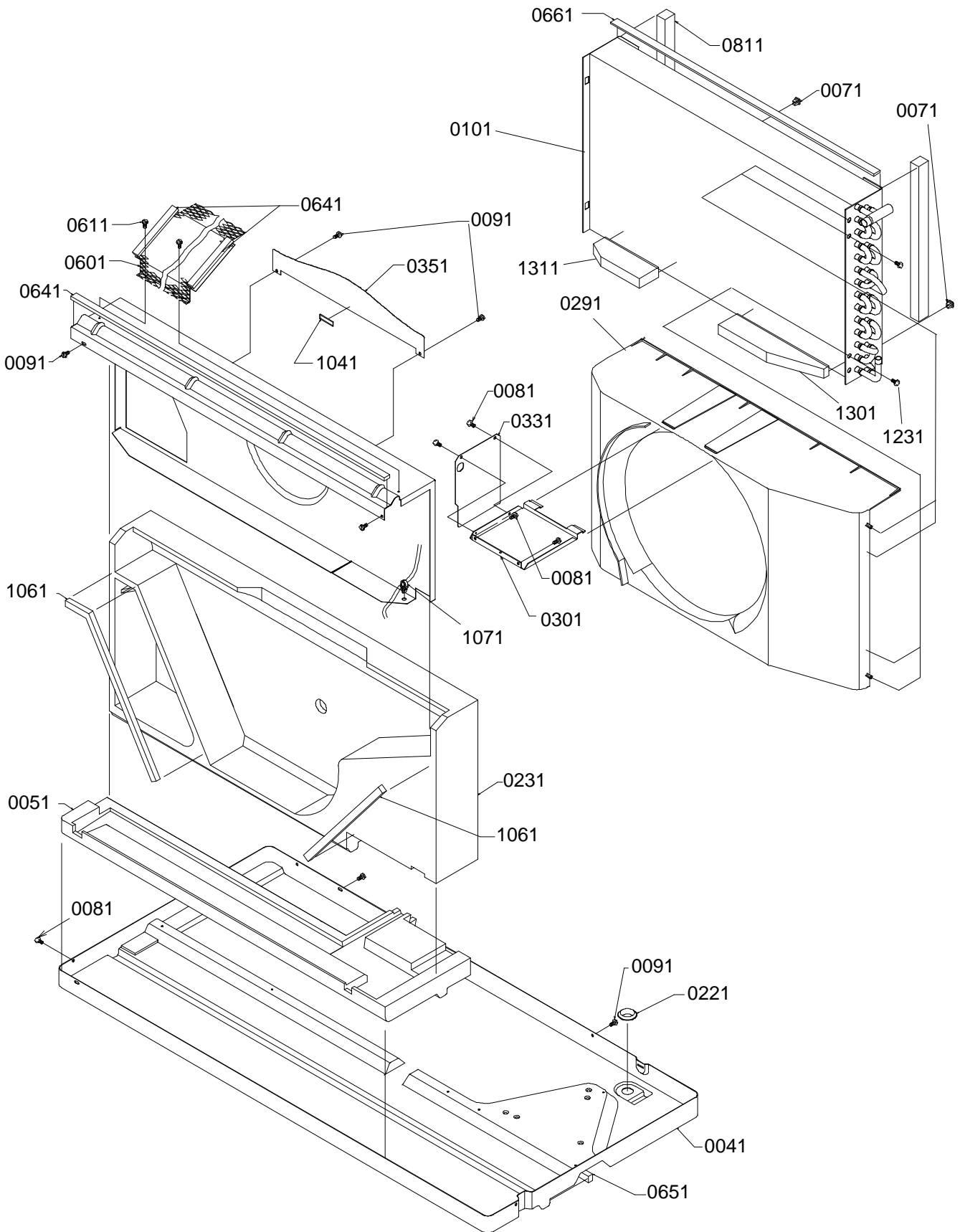
*Image 2*

0092	M0216716	SCREW-SM (QTY AR)
0662	10839803	GASKET-CROSS LINK (QTY AR)

## Expanded Model and Color Nomenclature

M1 - PTC093A35AA	P1202285R
M2 - PTC094A35AA	P1202286R
M3 - PTC093A25AA	P1202297R
M4 - PTC094A25AA	P1202298R
M5 - PTC123A25AA	P1202299R
M6 - PTC124A25AA	P1223501R
M7 - PTC123A35AA	P1223502R
M8 - PTC124A35AA	P1223503R
M9 - PTC123A50AA	P1223504R
M10 - PTC124A50AA	P1223505R
M11 - PTC153A25AA	P1223506R
M12 - PTC154A25AA	P1223507R
M13 - PTC153A35AA	P1223508R
M14 - PTC154A35AA	P1223509R
M15 - PTC153A50AA	P1223510R
M16 - PTC154A50AA	P1223511R

# Chassis



# Chassis

Ref. No:	Part No:	Description:	Ref. No:	Part No:	Description:
<i>Image 1</i>					
0041	11042507	BASEPAN-PNT			
0051	11044702	PAD-EVAPORATOR			
0071	A3315701	GROMMET (QTY 2)			
0081	M0211216	SCREW-SM (QTY AR)			
0091	M0216716	SCREW-SM (QTY AR)			
0101	20007503	COND ASSY (M5, M6, M7, M8, M9, M10, M11, M12, M13, M14, M15, M16)			
0101	20007602	COND ASSY (M1, M2, M3, M4)			
0221	A3080003	PLUG-BUTTON			
0231	11045801	SCROLL-BLOWER			
0291	11167301	SHROUD-CONDENSER			
0301	11044201	BRACE-TIE			
0331	11046501	BAFFLE-TOP			
0351	11043902	BLOW INTK EXT-PNT			
0601	11123905	SCREEN-DISCH			
0611	M0204517	SCREW-SM STL ZINC (QTY AR)			
0641	10839705	GASKET-URETHANE (QTY AR)			
0651	10839808	GASKET-FOAM (QTY AR)			
0661	10839803	GASKET-CROSS LINK (QTY AR)			
0811	10839712	GASKET-URETHANE (QTY AR)			
1041	10839722	GASKET-URETHANE (QTY AR)			
1061	10839716	GASKET-URETHANE (QTY AR)			
1071	M0120801	CLIP-GUIDE			
1231	M0216716	SCREW-SM (QTY AR)			
1301	20189701	INSUL-COND RH			
1311	20189801	INSUL-COND LH			

## Expanded Model and Color Nomenclature

M1 - PTC093A35AA	P1202285R
M2 - PTC094A35AA	P1202286R
M3 - PTC093A25AA	P1202297R
M4 - PTC094A25AA	P1202298R
M5 - PTC123A25AA	P1202299R
M6 - PTC124A25AA	P1223501R
M7 - PTC123A35AA	P1223502R
M8 - PTC124A35AA	P1223503R
M9 - PTC123A50AA	P1223504R
M10 - PTC124A50AA	P1223505R
M11 - PTC153A25AA	P1223506R
M12 - PTC154A25AA	P1223507R
M13 - PTC153A35AA	P1223508R
M14 - PTC154A35AA	P1223509R
M15 - PTC153A50AA	P1223510R
M16 - PTC154A50AA	P1223511R



# Chassis/Compressor Tubing

Ref. No:	Part No:	Description:	Ref. No:	Part No:	Description:
<i>Image 1</i>			1241	10839814	GASKET-FOAM (QTY AR)
0081	M0211216	SCREW-SM (QTY AR)	1291	M0270543	WASHER-FLAT
0091	M0216716	SCREW-SM (QTY AR)	<b>Expanded Model and Color Nomenclature</b>		
0201	11178502	TUBE-DISCH (M11, M12, M13, M14, M15, M16)	M1 - PTC093A35AA		P1202285R
0201	11194201	TUBE-DISCH (M1, M2, M3, M4)	M2 - PTC094A35AA		P1202286R
0201	11180101	TUBE-DISCHARGE (M5, M6, M7, M8, M9, M10)	M3 - PTC093A25AA		P1202297R
0211	11144501	SUCTION TUBE WELD (M5, M6, M7, M8, M9, M10, M11, M12, M13, M14, M15, M16)	M4 - PTC094A25AA		P1202298R
0211	11194501	SUCTION TUBE WELD (M1, M2, M3, M4)	M5 - PTC123A25AA		P1202299R
0241	11045502	PARTITION PANEL	M6 - PTC124A25AA		P1223501R
0251	11167503	PANEL-MID PART	M7 - PTC123A35AA		P1223502R
0261	11114901	MOTOR-FAN (M1, M3)	M8 - PTC124A35AA		P1223503R
0261	11114902	MOTOR-FAN (M5, M7, M9)	M9 - PTC123A50AA		P1223504R
0261	11114903	MOTOR-FAN (M11, M13, M15)	M10 - PTC124A50AA		P1223505R
0261	11114904	MOTOR-FAN (M2, M4)	M11 - PTC153A25AA		P1223506R
0261	11114905	MOTOR-FAN (M6, M8, M10)	M12 - PTC154A25AA		P1223507R
0261	11114906	MOTOR-FAN (M12, M14, M16)	M13 - PTC153A35AA		P1223508R
0271	M0224956	SCREW-TAP R (QTY 3)	M14 - PTC154A35AA		P1223509R
0281	20046501	FAN-PL. COND.	M15 - PTC153A50AA		P1223510R
0311	11044101	WHEEL-BLOWER	M16 - PTC154A50AA		P1223511R
0321	11045402	COND INLET BAFF-PNT			
0341	M0118702	CLIP-GUIDE			
0431	M0108104	CLAMP-TUBE			
0441	M0227803	SCREW-TC (QTY AR)			
0491	D6879823	CAPACITOR (M5, M7, M9)			
0491	D6879833	CAPACITOR (M1, M3)			
0491	D6789025	CAPACITOR-METAL (M12, M14, M16)			
0491	D6789049	CAPACITOR-POLY (M11, M13, M15)			
0491	D6879842	CAPACITOR-ROUND (M6, M8, M10)			
0491	D6879844	CAPACITOR-ROUND (M2, M4)			
0501	C6300502	STRAP-CAPACITOR CO (M1, M2, M3, M4, M5, M6, M7, M8, M9, M10, M11, M13, M15)			
0501	C6300503	STRAP-CAPACITOR CO (M12, M14, M16)			
0511	11046302	LEVER ARM			
0521	11115401	CABLE			
0531	11046201	FILTER-VENT			
0541	11046102	DOOR-VENT			
0551	11044902	SEAL-L SIDE			
0561	11044901	SEAL-R SIDE			
0571	11191701	BRKT-PART PAN (QTY 2)			
0631	10839807	GASKET-CROSS LINK (QTY AR)			
0641	10839705	GASKET-URETHANE (QTY AR)			
0731	11122901	INSUL-LEFT			
0741	11123001	INSUL-RIGHT			
0751	11168201	CAPILLARY WELD (M1, M2, M3, M4)			
0751	11171501	CAPILLARY WELD (M5, M6, M7, M8, M9, M10)			
0751	11171601	CAPILLARY WELD (M11, M12, M13, M14, M15, M16)			
0761	10839810	GASKET-CROSS LINK (QTY AR)			
0771	M0220757	SCREW-SHLDR			
0781	M0273701	WASHER-SPRING			
0801	M0270529	WASHER-FLAT			
1011	M0108103	CLAMP-TUBE			
1021	B1394401	STRAINER			
1031	M0211016	SCREW-SM (QTY AR)			
1051	11167601	COVER-ACCESS			
1081	A4554801	BUSHING-SNAP			
1091	M0216529	SCREW-SM (QTY AR)			

# Compressor & Tubing

Image 1

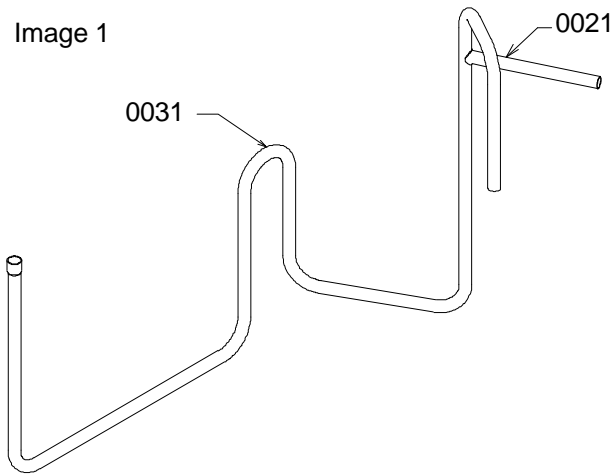


Image 2

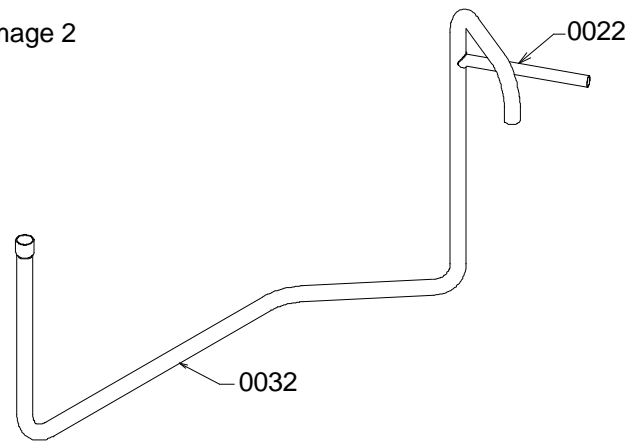
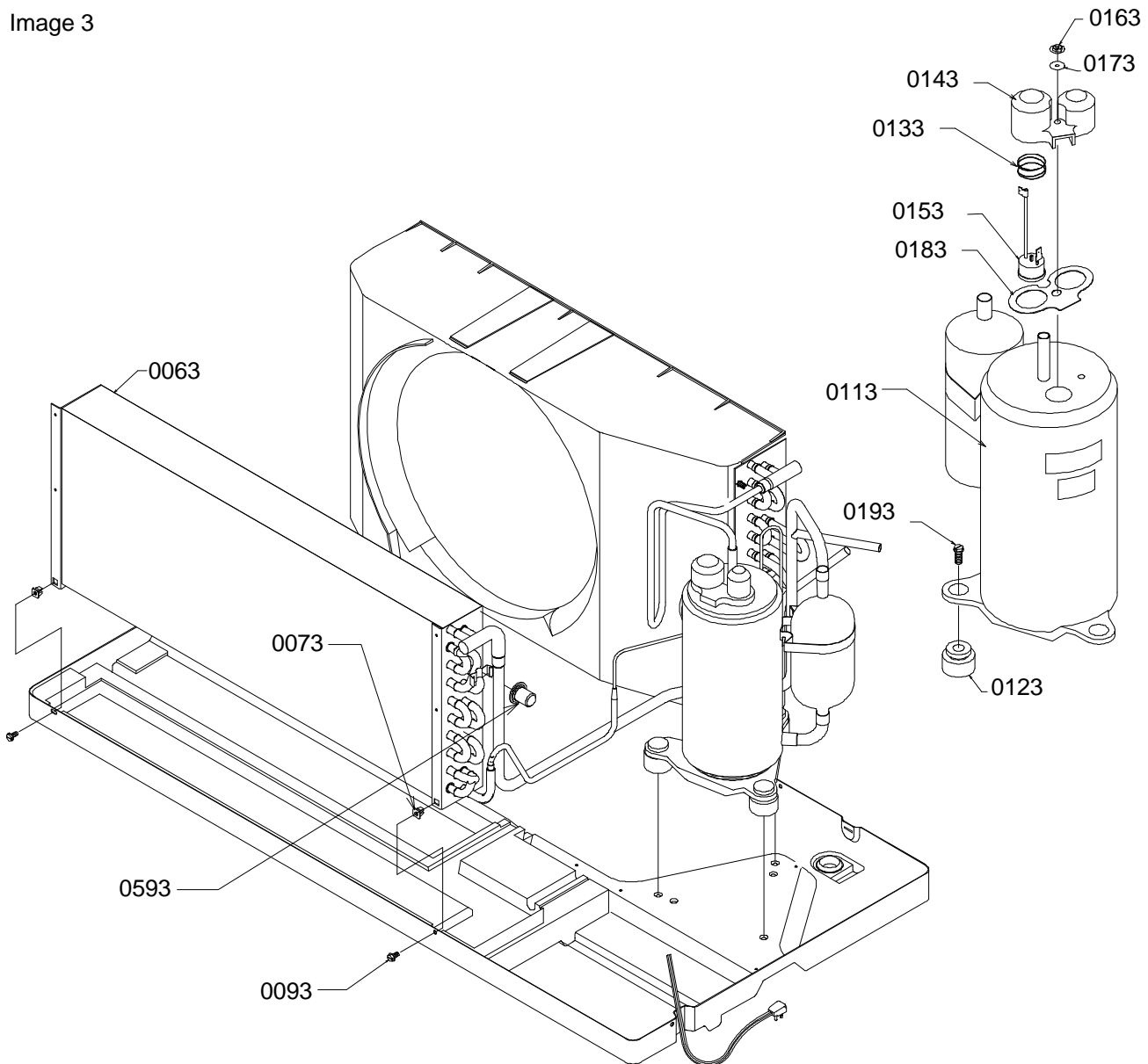


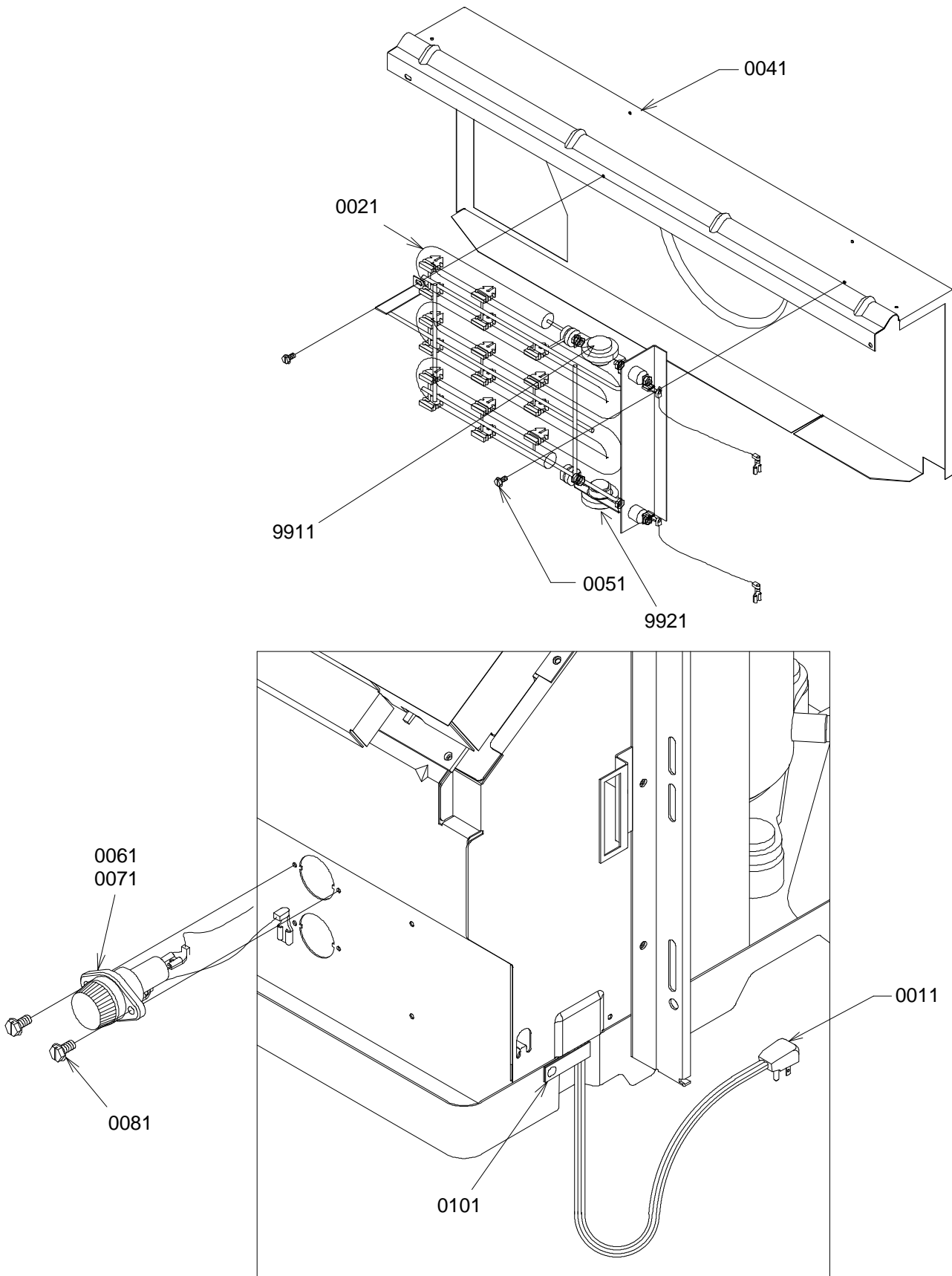
Image 3



# Compressor & Tubing

Ref. No:	Part No:	Description:	Ref. No:	Part No:	Description:
<i>Image 1</i>			Expanded Model and Color Nomenclature		
0021	A4528920	TUBE-PROCESS (M1, M2, M3, M4)	M1 - PTC093A35AA	P1202285R	
0031	11144601	TUBE-SUCTION (M5, M6, M7, M8, M9, M10, M11, M12, M13, M14, M15, M16)	M2 - PTC094A35AA	P1202286R	
<i>Image 2</i>			M3 - PTC093A25AA	P1202297R	
0022	A4528927	TUBE-PROCESS (M5, M6, M7, M8, M9, M10, M11, M12, M13, M14, M15, M16)	M4 - PTC094A25AA	P1202298R	
0032	11194301	TUBE-SUCTION (M1, M2, M3, M4)	M5 - PTC123A25AA	P1202299R	
<i>Image 3</i>			M6 - PTC124A25AA	P1223501R	
0000	M0211345	SCREW-SM (QTY AR)	M7 - PTC123A35AA	P1223502R	
0063	11165603	EVAP ASSY (M5, M6, M7, M8, M9, M10, M11, M12, M13, M14, M15, M16)	M8 - PTC124A35AA	P1223503R	
0063	11165703	EVAP ASSY (M1, M2, M3, M4)	M9 - PTC123A50AA	P1223504R	
0073	A3315701	GROMMET (QTY 2)	M10 - PTC124A50AA	P1223505R	
0093	M0216716	SCREW-SM (QTY AR)	M11 - PTC153A25AA	P1223506R	
0113	D6926116	COMP-PN 2K21S3R236A (M11, M13, M15)	M12 - PTC154A25AA	P1223507R	
0113	D6926117	COMP-PN 2K21S3R276A (M12, M14, M16)	M13 - PTC153A35AA	P1223508R	
0113	D6985807	COMP-PN 2P17S3R236A (M5, M7, M9)	M14 - PTC154A35AA	P1223509R	
0113	D6985810	COMP-PN 2P17S3R276A (M6, M8, M10)	M15 - PTC153A50AA	P1223510R	
0113	D6887711	COMP-PN 2R13S3R236A (M1, M3)	M16 - PTC154A50AA	P1223511R	
0113	D6887712	COMP-PN 2R13S3R276A (M2, M4)			
0123	A3448601	GROMMET (M5, M6, M7, M8, M9, M10, M11, M12, M13, M14, M15, M16)			
0123	A4622801	GROMMET (M1, M2, M3, M4)			
0133	A3436901	SPRING-OVERLOAD			
0143	10329001	COVER-TERM			
0153	D6961607	OVERLOAD (M11, M13, M15)			
0153	D6961612	OVERLOAD (M5, M7, M9)			
0153	D6961639	OVERLOAD (M1, M3)			
0153	D6961642	OVERLOAD (M2, M4)			
0153	D6961643	OVERLOAD (M6, M8, M10)			
0153	D6961657	OVERLOAD (M12, M14, M16)			
0163	A3436601	NUT-TERM COVER			
0173	A3436801	GASKET-NUT			
0183	A3436701	GASKET-TERM COVER			
0193	M0253610	SCREW-SHLDR (M5, M6, M7, M8, M9, M10, M11, M12, M13, M14, M15, M16)			
0193	M0253661	SCREW-SHLDR (M1, M2, M3, M4)			
0593	11046702	DISC-THERMOSTAT (M5, M6, M7, M8, M9, M10, M11, M12, M13, M14, M15, M16)			
0593	11046703	DISC-THERMOSTAT (M1, M2, M3, M4)			

# Heater



# Heater

Ref. No:	Part No:	Description:	Ref. No:	Part No:	Description:
<i>Image 1</i>					
0011	11114401	CORD-250V 15A (M3, M5, M11)			
0011	11114501	CORD-250V 20A (M1, M7, M13)			
0011	11114601	CORD-250V 30A (M9, M15)			
0011	11114801	CORD-277V 30A (M10, M16)			
0011	11114701	CORD-277V-20A (M2, M4, M6, M8, M12, M14)			
0021	11116202	HTR 3 2.5 KW ASSY (M3, M5, M11)			
0021	11116203	HTR 3 3.5KW ASSY (M1, M7, M13)			
0021	11177801	HTR 3 5.0 KW ASSY (M9)			
0021	11116205	HTR 3 5.0KW ASSY (M15)			
0021	11116207	HTR 4 2.5KW ASSY (M4, M6, M12)			
0021	11116208	HTR 4 3.7 KW ASSY (M2, M8, M14)			
0021	11116210	HTR 4 5.0 KW ASSY (M16)			
0021	11177802	HTR 4 5.0 KW ASSY (M10)			
0041	11044304	BLOWER INTAKE-PNT			
0051	M0216716	SCREW-SM (QTY AR)			
0061	C6476002	HOLDER-BAYONET FUSE (M2, M4, M6, M8, M12, M14)			
0061	C6476003	HOLDER-BAYONET FUSE (M10, M16)			
0071	A3410402	FUSE-15A (M4, M6, M12)			
0071	A3410403	FUSE-20A (M2, M8, M14)			
0071	A3410404	FUSE-25 AMP (M10, M16)			
0081	M0213817	SCREW-SM (QTY AR)			
0101	M0103905	CLAMP-SPEED (M3, M5, M11)			
0101	M0103906	CLAMP-SPEED (M1, M2, M4, M6, M7, M8, M9, M10, M12, M13, M14, M15, M16)			
9911	B1158410	TSTAT-DISC TYPE (M16)			
9911	B1158411	TSTAT-DISC TYPE (M4, M6, M12)			
9911	B1158415	TSTAT-DISC TYPE (M2, M8, M14)			
9911	B1158416	TSTAT-DISC TYPE (M3, M5, M11, M15)			
9911	B1158417	TSTAT-DISC TYPE (M9, M10)			
9921	B1158408	TSTAT-DISC TYPE (M15)			
9921	B1158411	TSTAT-DISC TYPE (M4, M6, M12, M16)			
9921	B1158412	TSTAT-DISC TYPE (M3, M5, M11)			
9921	B1158414	TSTAT-DISC TYPE (M2, M8, M14)			
9921	B1158418	TSTAT-DISC TYPE (M9, M10)			

## Expanded Model and Color Nomenclature

M1 - PTC093A35AA	P1202285R
M2 - PTC094A35AA	P1202286R
M3 - PTC093A25AA	P1202297R
M4 - PTC094A25AA	P1202298R
M5 - PTC123A25AA	P1202299R
M6 - PTC124A25AA	P1223501R
M7 - PTC123A35AA	P1223502R
M8 - PTC124A35AA	P1223503R
M9 - PTC123A50AA	P1223504R
M10 - PTC124A50AA	P1223505R
M11 - PTC153A25AA	P1223506R
M12 - PTC154A25AA	P1223507R
M13 - PTC153A35AA	P1223508R
M14 - PTC154A35AA	P1223509R
M15 - PTC153A50AA	P1223510R
M16 - PTC154A50AA	P1223511R

# Control Panel

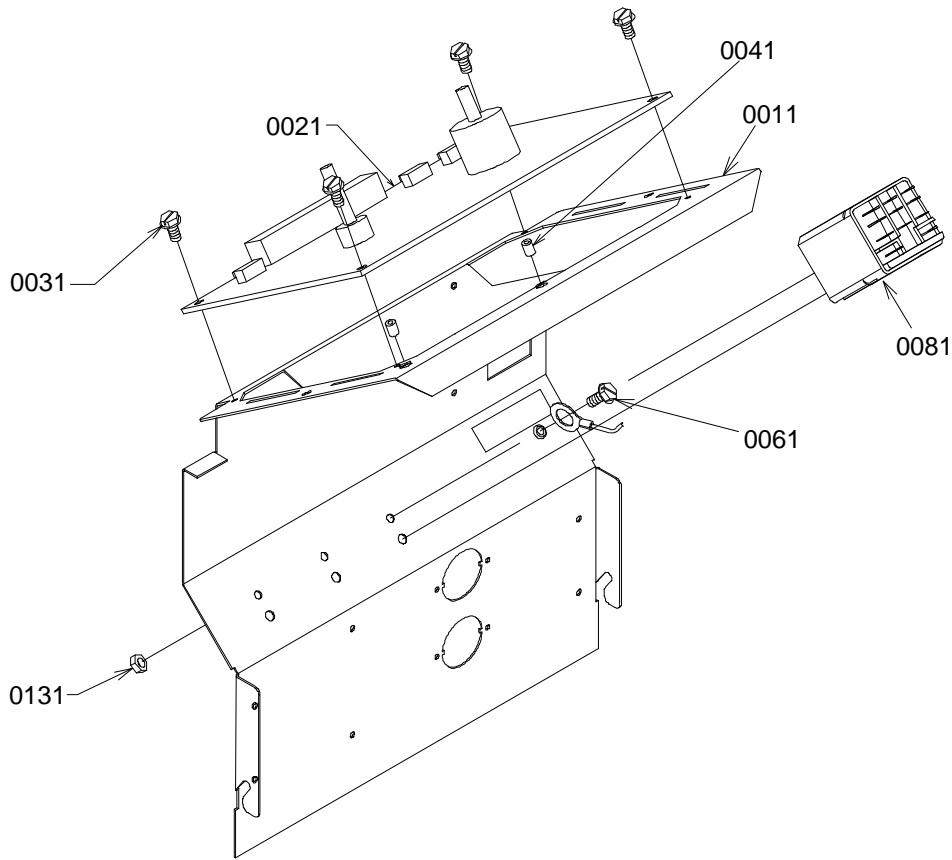
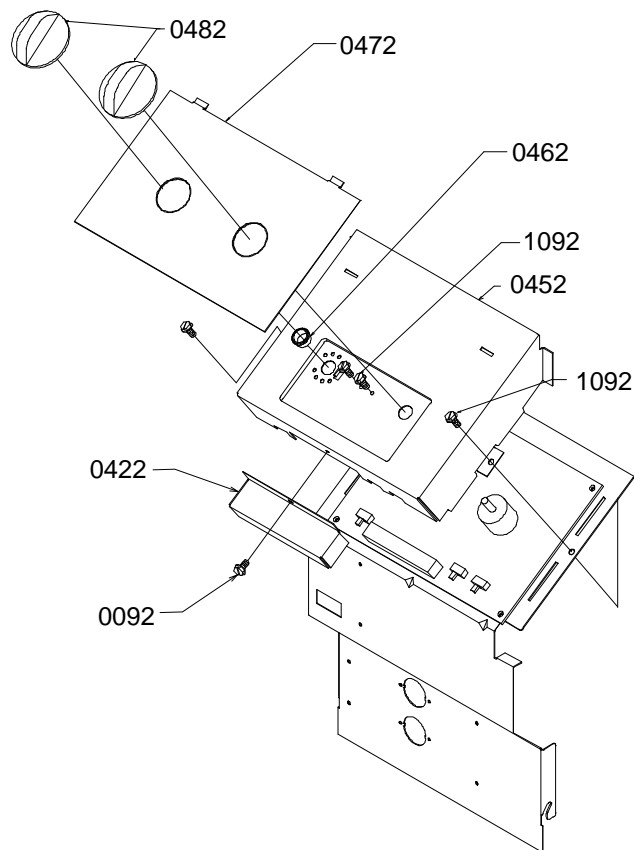


Image 1

Image 2



# Control Panel

Ref. Part No:	Part No:	Description:	Ref. Part No:	Part No:	Description:
---------------	----------	--------------	---------------	----------	--------------

*Image 1*

0011	11044501	PANEL-CONTROL
0021	11043302	PC BOARD
0031	M0216529	SCREW-SM (QTY AR)
0041	M0590702	SUPPORT (QTY 2)
0061	M0227803	SCREW-TC (QTY AR)
0081	C8873917	RELAY (M9, M10)
0131	M0282005	NUT-KEPS (M9, M10)

*Image 2*

0092	M0216716	SCREW-SM (QTY AR)
0422	11045601	COVER-TERM BLOCK
0452	11044401	COVER-CONTROL PANEL
0462	M0117902	CLIP-TUBULAR
0472	20005701	PLATE-ESC
0482	11042902	KNOB-CONTROL (QTY 2)
1092	M0216529	SCREW-SM (QTY AR)

## Expanded Model and Color Nomenclature

M1 - PTC093A35AA	P1202285R
M2 - PTC094A35AA	P1202286R
M3 - PTC093A25AA	P1202297R
M4 - PTC094A25AA	P1202298R
M5 - PTC123A25AA	P1202299R
M6 - PTC124A25AA	P1223501R
M7 - PTC123A35AA	P1223502R
M8 - PTC124A35AA	P1223503R
M9 - PTC123A50AA	P1223504R
M10 - PTC124A50AA	P1223505R
M11 - PTC153A25AA	P1223506R
M12 - PTC154A25AA	P1223507R
M13 - PTC153A35AA	P1223508R
M14 - PTC154A35AA	P1223509R
M15 - PTC153A50AA	P1223510R
M16 - PTC154A50AA	P1223511R