

Parts

Package Terminal Air Conditioner (PTAC) Accessory Parts Catalog

This manual replaces RP4290002 revision 0.

Parts Manual for
Amana®

Models and manufacturing
numbers in this manual

AGK01BB	P1201106R
AGK01CB	P1201101R
AGK01DB	P1201102R
AGK01LB	P1201107R
AGK01SB	P1201105R
AGK01WB	P1201104R
AGK01ZB	P1201103R
AGK10CB	P1201201R
AGK10DB	P1201202R
AGK10SB	P1201205R
AGK10WB	P1201204R
AGK10ZB	P1201203R
CBK315C	P1201401R
CBK320C	P1201402R
CBK325C	P1201403R
CBK330C	P1201404R
CDP302	P1201801R
CDP402	P1201802R
FHK315C	P1109313R
FHK320C	P1109314R
FHK330C	P1109315R
FK10A	P1201901R
HK315E	P1201301R
HK325E	P1201302R
HK335E	P1201304R
HK350E	P1201306R
HK415E	P1201307R
HK425E	P1201308R
HK435E	P1201310R
HK450E	P1201312R
KL03	P1201701R
PTSB320C	P1201601R
PTSB330C	P1201602R
PTSB420C	P1201603R
PTSB430C	P1201604R
PVK3A	P1202001R
PVK4A	P1202002R
RTS01	P1202101R
TDK02	P1201501R

This manual is to be used by qualified appliance technicians only. Amana does not assume any responsibility for property damage or personal injury for improper service procedures done by an unqualified person.



RP4290002
Revision 1
January 1997

Important Information

Raytheon Appliances is not responsible for personal injury or property damage resulting from improper service. Review all service information before beginning repairs.

Warranty service must be performed by an authorized technician, using authorized factory parts. If service is required after the warranty expires, Raytheon Appliances also recommends contacting an authorized technician and using authorized factory parts. Locate an authorized technician by calling 800-NATLSVC (800-628-5782).

For assistance within the U.S.A. contact:

Consumer Affairs Department
Amana, Raytheon Appliances
2800 220th Trail
PO Box 8901
Amana IA 52204-0001
319-622-5511--Telephone
319-622-2977--Facsimile

For assistance outside the U.S.A. contact:

International Division
Amana, Raytheon Appliances
2800 220th Trail
PO Box 8901
Amana IA 52204-0001
USA
319-622-5511--Telephone
319-622-8595--Facsimile

Index

Functional Parts List 4 - 5
Fuse Holder Kit , Architectural Grille Kit 6 - 7
Heater Kit, Circuit Breaker Kit 8 - 9
Terminal Duct Kit Duct Kit, Key Lock 10 - 11
Package Terminal Electrical Subbase Kit 12 - 13
Condensate Disposal Kit, Filter Kit 14 - 15
Power Vent Kit, Remote 16 - 17
Temp Sensor

Views shown are for parts illustrations only, not servicing procedures.

Revision 1: Added AGK01BB (P1201106R) and AGK01LB (P1201107R).

Text Codes:

AR - As Required

0000 - Not Shown

QTY - Quantity Example (QTY 3) (If Quantity not shown, Quantity = 1)

M - Model Example (M1) (If M Code not shown, then part is used on all Models)

Expanded Model and Color Nomenclature:

Example	
M1 - Model#1	P _____
M2 - Model#2	P _____
M3 - Model#3	P _____

Functional Parts

Part

No: Description:

11114501	CORD-250V 20A (M16)
11114601	CORD-250V 30A (M17)
11114801	CORD-277V 30A (M21)
A3410404	FUSE-25 AMP (M21)
11116201	HTR 3 1.5KW ASSY (M14)
11116202	HTR 3 2.5 KW ASSY (M15)
11116203	HTR 3 3.5KW ASSY (M16)
11177801	HTR 3 5.0 KW ASSY (M17)
11116206	HTR 4 1.5KW ASSY (M18)
11116207	HTR 4 2.5KW ASSY (M19)
11116208	HTR 4 3.7 KW ASSY (M20)
11177802	HTR 4 5.0 KW ASSY (M21)
11172801	MOTOR (M35, M36)
C8873917	RELAY (M17, M21)
C8873932	RELAY (M35, M36)
C8873917	RELAY (M32, M33)
11116301	SENSOR-REMOTE TEMP (M37)
11172101	XFMR (M33)
B1378501	XFMR (M35)

SPECIAL PARTS

11113801	INSTR-INSTAL (M27, M28, M29, M30)
11113601	INSTR-INSTAL (M31)
A3491403	INSTR-INSTAL (M22, M23, M24, M25)
A3491605	INSTR-INSTAL (M1, M2, M3)
11113701	INSTR-INSTAL (M32, M33)
11114201	INSTR-INSTAL (M35, M36)
11114001	INSTR-INSTAL (M14, M15, M16, M17, M18, M19, M20, M21)
A3495702	INSTR-INSTAL (M4, M5, M6, M7, M8, M9, M10, M11, M12, M13, M38, M39)
RP4290003	MANUAL-PARTS
RP4290002	MANUAL-PARTS (M1, M2, M3, M4, M5, M6, M7, M8, M9, M10, M11, M12, M13, M14, M15, M16, M17, M18, M19, M20, M21, M22, M23, M24, M25, M26, M27, M28, M29, M30, M31, M32, M33, M34, M35, M36, M37)

Functional Parts

Part

No: Description:

Expanded Model and Color Nomenclature

M1 - FHK315C	P1109313R
M2 - FHK320C	P1109314R
M3 - FHK330C	P1109315R
M4 - AGK01CB	P1201101R
M5 - AGK01DB	P1201102R
M6 - AGK01ZB	P1201103R
M7 - AGK01WB	P1201104R
M8 - AGK01SB	P1201105R
M9 - AGK10CB	P1201201R
M10 - AGK10DB	P1201202R
M11 - AGK10ZB	P1201203R
M12 - AGK10WB	P1201204R
M13 - AGK10SB	P1201205R
M14 - HK315E	P1201301R
M15 - HK325E	P1201302R
M16 - HK335E	P1201304R
M17 - HK350E	P1201306R
M18 - HK415E	P1201307R
M19 - HK425E	P1201308R
M20 - HK435E	P1201310R
M21 - HK450E	P1201312R
M22 - CBK315C	P1201401R
M23 - CBK320C	P1201402R
M24 - CBK325C	P1201403R
M25 - CBK330C	P1201404R
M26 - TDK02	P1201501R
M27 - PTSB320C	P1201601R
M28 - PTSB330C	P1201602R
M29 - PTSB420C	P1201603R
M30 - PTSB430C	P1201604R
M31 - KL03	P1201701R
M32 - CDP302	P1201801R
M33 - CDP402	P1201802R
M34 - FK10A	P1201901R
M35 - PVK3A	P1202001R
M36 - PVK4A	P1202002R
M37 - RTS01	P1202101R
M38 - AGK01BB	P1201106R
M39 - AGK01LB	P1201107R

FHK/AGK

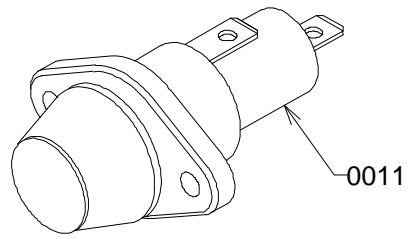
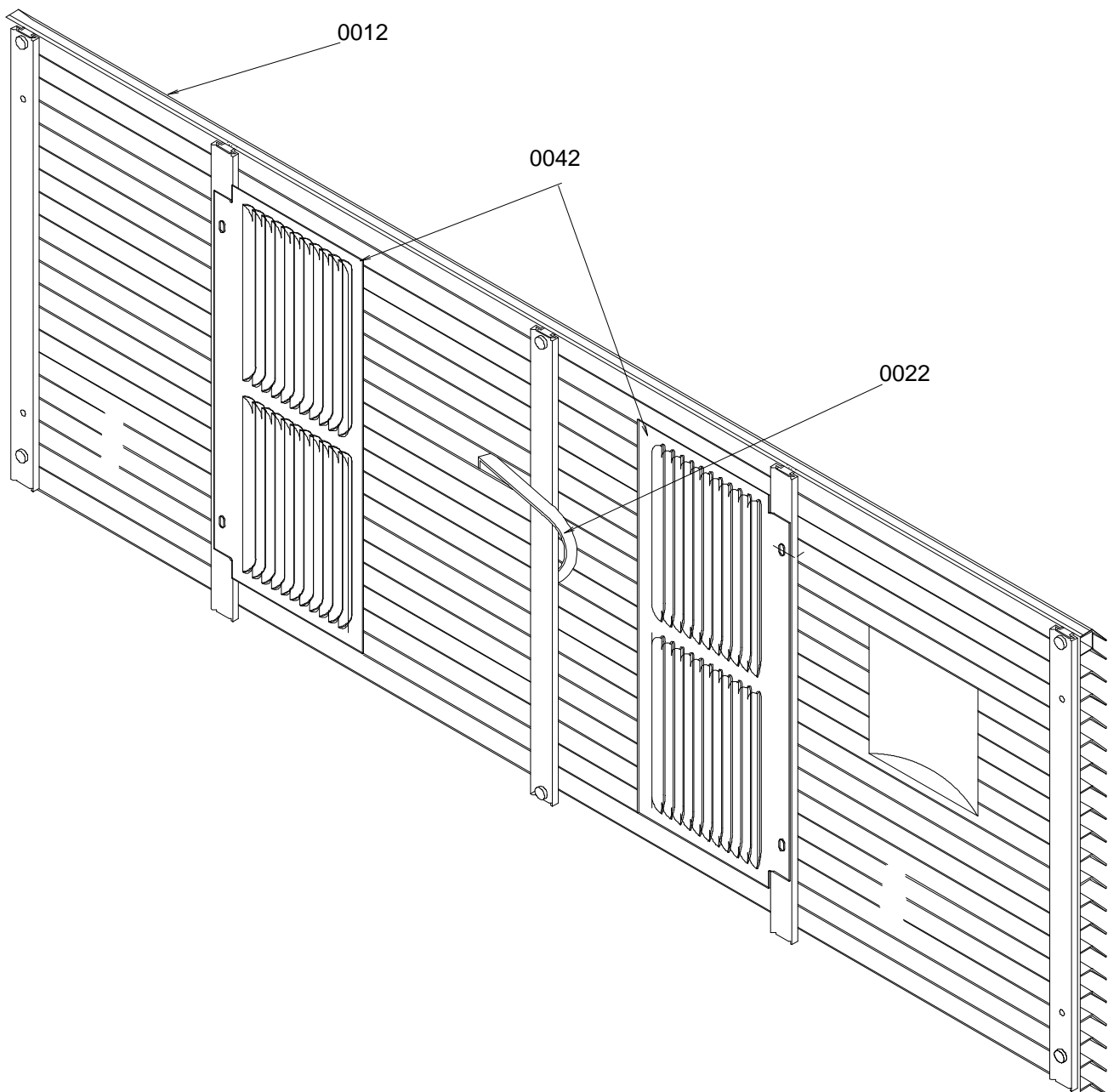


Image1

Image2



FHK/AGK

Ref. No:	Part No:	Description:	Ref. No:	Part No:	Description:
<i>Image 1 FHK</i>			Expanded Model and Color Nomenclature		
0000	M0282005	NUT-KEPS (M1, M2, M3) (QTY 4)	M1 - FHK315C		P1109313R
0000	A3491605	INSTR-INSTAL (M1, M2, M3)	M2 - FHK320C		P1109314R
0000	A4617508	NUT-WIRE (M1, M2, M3) (QTY 4)	M3 - FHK330C		P1109315R
0000	M0213817	SCREW-SM (M1, M2, M3) (QTY 4)	M4 - AGK01CB		P1201101R
0011	C6476003	HOLDER-BAYONET FUSE (M3) (QTY 2)	M5 - AGK01DB		P1201102R
0011	C6476002	HOLDER-BAYONET FUSE (M2) (QTY 2)	M6 - AGK01ZB		P1201103R
0011	C6476001	HOLDER-BAYONET FUSE (M1) (QTY 2)	M7 - AGK01WB		P1201104R
<i>Image 2 AGK</i>			M8 - AGK01SB		P1201105R
0000	A3429901	HARDWARE (INCLUDES SS HEX NUTS, STUDS, WASHERS) (M4, M5, M6, M7, M8, M9, M10, M11, M12, M13, M38, M39) (QTY AR)	M9 - AGK10CB		P1201201R
0000	A3495702	INSTR-INSTAL (M4, M5, M6, M7, M8, M9, M10, M11, M12, M13, M38, M39)	M10 - AGK10DB		P1201202R
0012	20043703	GRILLE-EXTRUDED (M6)	M11 - AGK10ZB		P1201203R
0012	20043702	GRILLE-EXTRUDED (M5)	M12 - AGK10WB		P1201204R
0012	20043704	GRILLE-EXTRUDED (M7)	M13 - AGK10SB		P1201205R
0012	20043705	GRILLE-EXTRUDED (M8)	M14 - HK315E		P1201301R
0012	20043701	GRILLE-EXTRUDED (M9) (QTY 10)	M15 - HK325E		P1201302R
0012	20043702	GRILLE-EXTRUDED (M10) (QTY 10)	M16 - HK335E		P1201304R
0012	20043703	GRILLE-EXTRUDED (M11) (QTY 10)	M17 - HK350E		P1201306R
0012	20043704	GRILLE-EXTRUDED (M12) (QTY 10)	M18 - HK415E		P1201307R
0012	20043705	GRILLE-EXTRUDED (M13) (QTY 10)	M19 - HK425E		P1201308R
0012	20043707	GRILLE-EXTRUDED (M39)	M20 - HK435E		P1201310R
0012	20043701	GRILLE-EXTRUDED (M4)	M21 - HK450E		P1201312R
0012	20043706	GRILLE-EXTRUDED (M38)	M22 - CBK315C		P1201401R
0022	A3313401	HANDLE (M4, M5, M6, M7, M8, M38, M39)	M23 - CBK320C		P1201402R
0022	A3313401	HANDLE (M9, M10, M11, M12, M13) (QTY 10)	M24 - CBK325C		P1201403R
0042	20031101	BAFFLE-CONDENSER (M4, M5, M6, M7, M8, M38, M39) (QTY 2)	M25 - CBK330C		P1201404R
0042	20031101	BAFFLE-CONDENSER (M9, M10, M11, M12, M13) (QTY 20)	M26 - TDK02		P1201501R
			M27 - PTSB320C		P1201601R
			M28 - PTSB330C		P1201602R
			M29 - PTSB420C		P1201603R
			M30 - PTSB430C		P1201604R
			M31 - KL03		P1201701R
			M32 - CDP302		P1201801R
			M33 - CDP402		P1201802R
			M34 - FK10A		P1201901R
			M35 - PVK3A		P1202001R
			M36 - PVK4A		P1202002R
			M37 - RTS01		P1202101R
			M38 - AGK01BB		P1201106R
			M39 - AGK01LB		P1201107R

HK/CBK

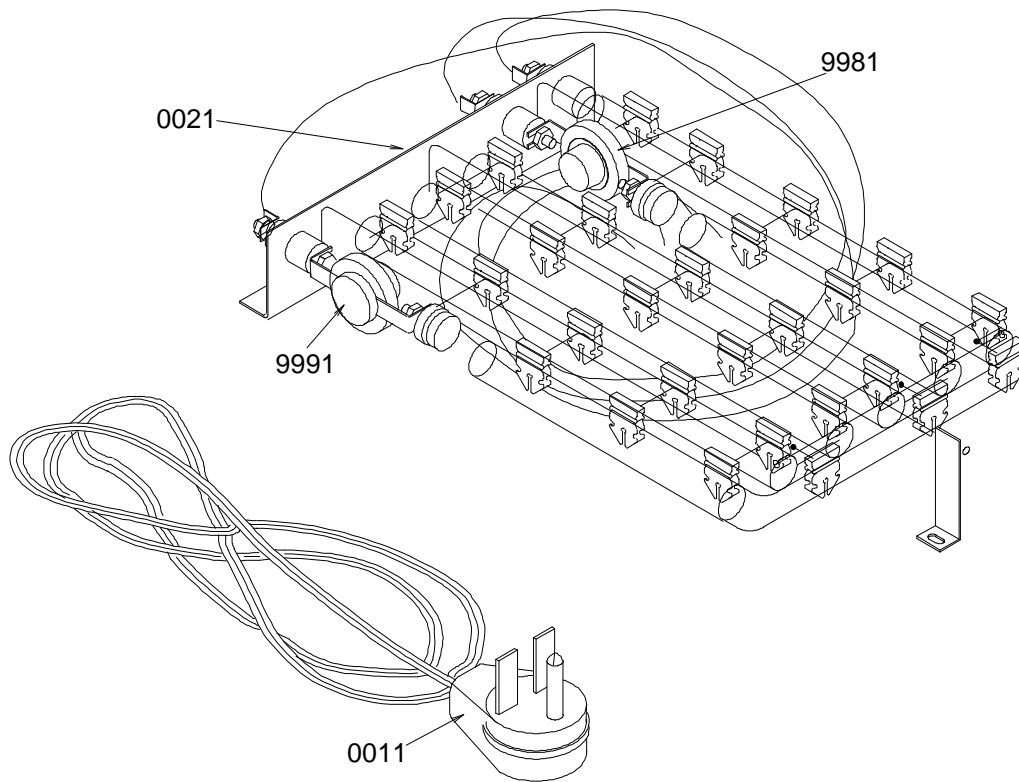
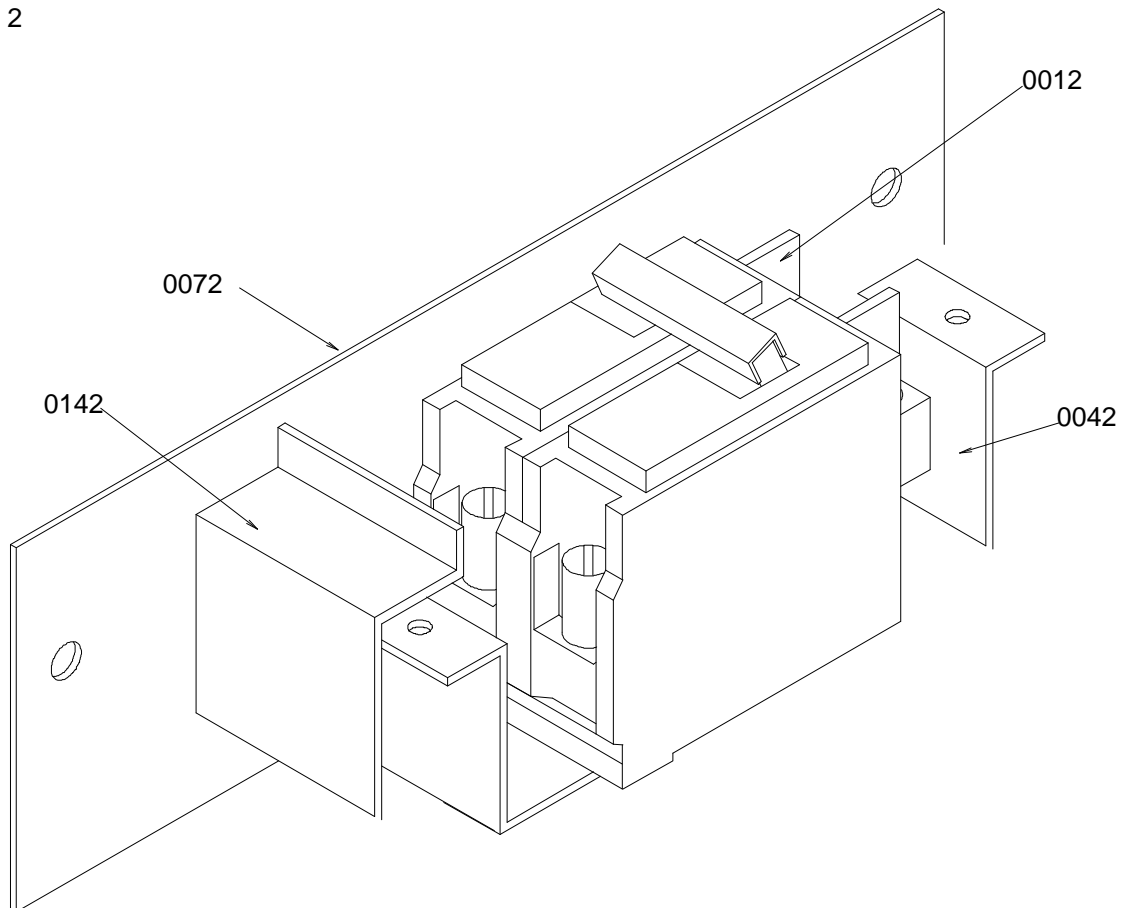


Image 1

Image 2



HK/CBK

Ref. No:	Part No:	Description:	Ref. No:	Part No:	Description:
----------	----------	--------------	----------	----------	--------------

Image 1 HK

0000	M0103906	CLAMP-SPEED (M16, M17)
0000	M0282005	NUT-KEPS (M17, M21)
0000	A3410404	FUSE-25 AMP (M21)
0000	M0213817	SCREW-SM (M21) (QTY 2)
0000	C8873917	RELAY (M17, M21)
0000	C6476003	HOLDER-BAYONET FUSE (M21)
0000	M0216716	SCREW-SM (M14, M15, M16, M17, M18, M19, M20, M21) (QTY 2)
0000	11114001	INSTR-INSTAL (M14, M15, M16, M17, M18, M19, M20, M21)
0011	11114601	CORD-250V 30A (M17)
0011	11114501	CORD-250V 20A (M16)
0011	11114801	CORD-277V 30A (M21)
0021	11116202	HTR 3 2.5 KW ASSY (M15)
0021	11116203	HTR 3 3.5KW ASSY (M16)
0021	11116206	HTR 4 1.5KW ASSY (M18)
0021	11116207	HTR 4 2.5KW ASSY (M19)
0021	11116208	HTR 4 3.7 KW ASSY (M20)
0021	11177802	HTR 4 5.0 KW ASSY (M21)
0021	11116201	HTR 3 1.5KW ASSY (M14)
0021	11177801	HTR 3 5.0 KW ASSY (M17)
9981	B1158418S	TSTAT-DISC TYPE (M17, M18, M21)
9981	B1158411S	TSTAT-DISC TYPE (M16, M19)
9981	B1158414S	TSTAT-DISC TYPE (M20)
9991	B1158417S	TSTAT-DISC TYPE (M17, M21)
9991	B1158411S	TSTAT-DISC TYPE (M19)
9991	B1158415S	TSTAT-DISC TYPE (M20)
9991	B1158410S	TSTAT-DISC TYPE (M16)
9991	B1158418S	TSTAT-DISC TYPE (M18)

Image 2 CBK

0000	M0216716	SCREW-SM (M22, M23, M24, M25) (QTY 4)
0000	B1303801	BRKT-MTG (M22, M23, M24, M25)
0000	B1273301	BRKT-MTG (M22, M23, M24, M25)
0000	A3491403	INSTR-INSTAL (M22, M23, M24, M25)
0012	C6156920	BREAKER-CIRCUIT (M24)
0012	C6156918	BREAKER-CIRCUIT (M22)
0012	C6156912	BREAKER-CIRCUIT (M25)
0012	C6156919	BREAKER-CIRCUIT (M23)
0042	B1378901	BRKT-CB (M22, M23, M24, M25)
0072	C6472605	ACCESSORY PLT (M22, M23, M24, M25)
0142	B1390105	SWITCH GUARD (M22, M23, M24, M25)

Expanded Model and Color Nomenclature

M1 - FHK315C	P1109313R
M2 - FHK320C	P1109314R
M3 - FHK330C	P1109315R
M4 - AGK01CB	P1201101R
M5 - AGK01DB	P1201102R
M6 - AGK01ZB	P1201103R
M7 - AGK01WB	P1201104R
M8 - AGK01SB	P1201105R
M9 - AGK10CB	P1201201R
M10 - AGK10DB	P1201202R
M11 - AGK10ZB	P1201203R
M12 - AGK10WB	P1201204R
M13 - AGK10SB	P1201205R
M14 - HK315E	P1201301R
M15 - HK325E	P1201302R
M16 - HK335E	P1201304R
M17 - HK350E	P1201306R
M18 - HK415E	P1201307R
M19 - HK425E	P1201308R
M20 - HK435E	P1201310R
M21 - HK450E	P1201312R
M22 - CBK315C	P1201401R
M23 - CBK320C	P1201402R
M24 - CBK325C	P1201403R
M25 - CBK330C	P1201404R
M26 - TDK02	P1201501R
M27 - PTSB320C	P1201601R
M28 - PTSB330C	P1201602R
M29 - PTSB420C	P1201603R
M30 - PTSB430C	P1201604R
M31 - KL03	P1201701R
M32 - CDP302	P1201801R
M33 - CDP402	P1201802R
M34 - FK10A	P1201901R
M35 - PVK3A	P1202001R
M36 - PVK4A	P1202002R
M37 - RTS01	P1202101R
M38 - AGK01BB	P1201106R
M39 - AGK01LB	P1201107R

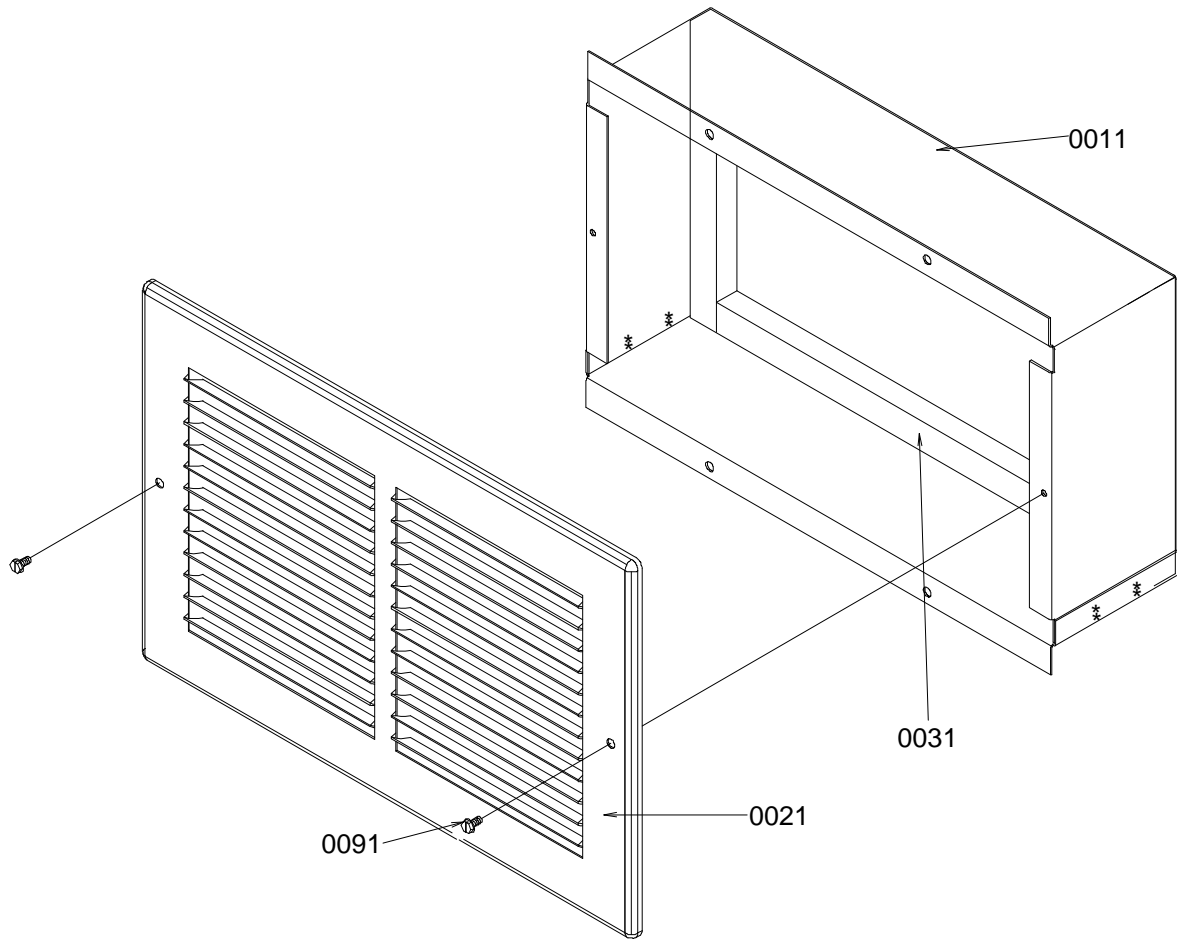
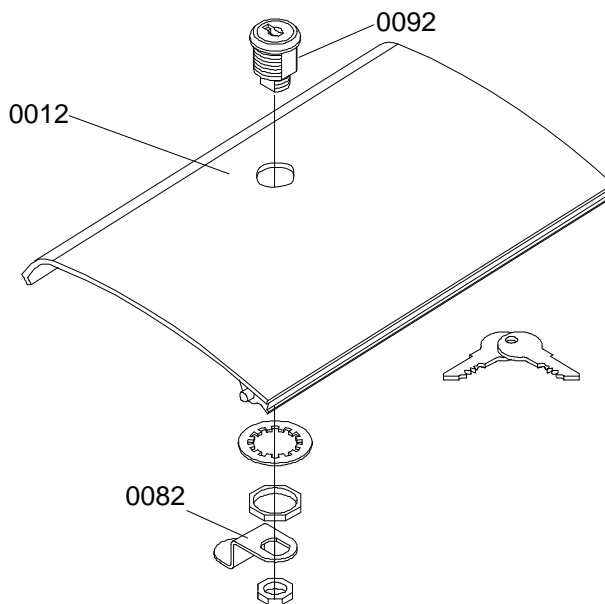


Image 1

Image 2



TDK/KL

Ref. No:	Part No:	Description:	Ref. No:	Part No:	Description:
----------	----------	--------------	----------	----------	--------------

Image 1 TDK

0011	20005402	DUCT COLLAR WELD (M26)
0021	11143701	GRILLE-AIR SUPPLY (M26)
0031	10839723	GASKET-URETHANE (M26) (QTY 32)
0091	M0213317	SCREW-SM (M26) (QTY 2)

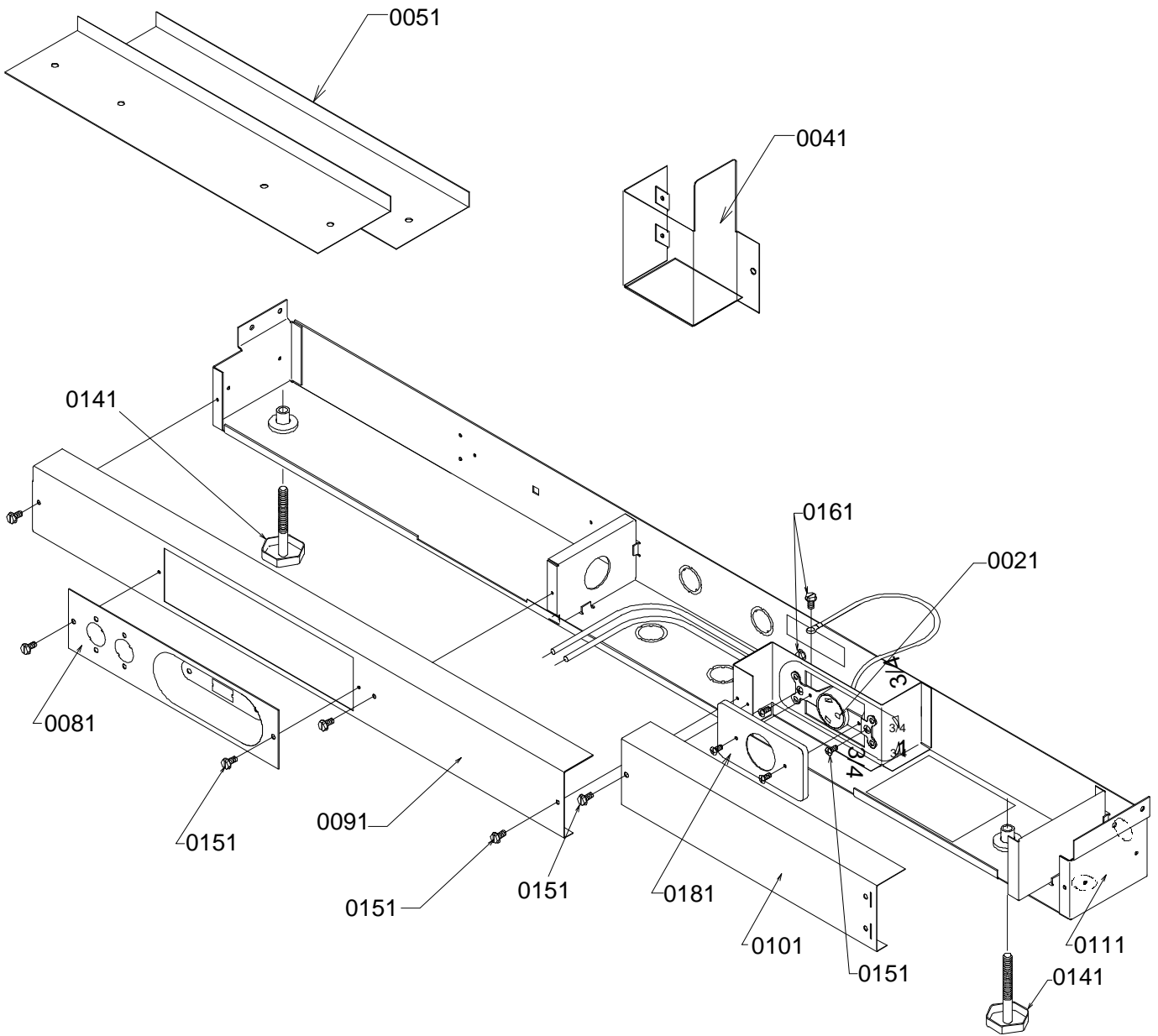
Image 2 KL

0002	11113601	INSTR-INSTAL (M31)
0012	11043004	DOOR-CONTROL PANEL (M31)
0082	11125901	CAM (M31)
0092	C6337703	KEY LOCK ASSY (INCLUDES HARDWARE & KEYS) (M31)

Expanded Model and Color Nomenclature

M1 - FHK315C	P1109313R
M2 - FHK320C	P1109314R
M3 - FHK330C	P1109315R
M4 - AGK01CB	P1201101R
M5 - AGK01DB	P1201102R
M6 - AGK01ZB	P1201103R
M7 - AGK01WB	P1201104R
M8 - AGK01SB	P1201105R
M9 - AGK10CB	P1201201R
M10 - AGK10DB	P1201202R
M11 - AGK10ZB	P1201203R
M12 - AGK10WB	P1201204R
M13 - AGK10SB	P1201205R
M14 - HK315E	P1201301R
M15 - HK325E	P1201302R
M16 - HK335E	P1201304R
M17 - HK350E	P1201306R
M18 - HK415E	P1201307R
M19 - HK425E	P1201308R
M20 - HK435E	P1201310R
M21 - HK450E	P1201312R
M22 - CBK315C	P1201401R
M23 - CBK320C	P1201402R
M24 - CBK325C	P1201403R
M25 - CBK330C	P1201404R
M26 - TDK02	P1201501R
M27 - PTSB320C	P1201601R
M28 - PTSB330C	P1201602R
M29 - PTSB420C	P1201603R
M30 - PTSB430C	P1201604R
M31 - KL03	P1201701R
M32 - CDP302	P1201801R
M33 - CDP402	P1201802R
M34 - FK10A	P1201901R
M35 - PVK3A	P1202001R
M36 - PVK4A	P1202002R
M37 - RTS01	P1202101R
M38 - AGK01BB	P1201106R
M39 - AGK01LB	P1201107R

PTSB



PTSB

Ref. No:	Part No:	Description:	Ref. No:	Part No:	Description:
----------	----------	--------------	----------	----------	--------------

Image 1

0000	11113801	INSTR-INSTAL (M27, M28, M29, M30)
0000	M0233716	SCREW-SD (M27, M28, M29, M30) (QTY 4)
0021	11126101	RECEPTACLE (M28)
0021	10401701	RECEPTACLE (M27)
0021	C6365201	RECEPTACLE (M30)
0021	B1379501	RECEPTACLE (M29)
0041	11124402	RH EXT PLATE (M27, M28, M29, M30)
0051	10146803	SKIRT (M27, M28, M29, M30) (QTY 2)
0081	D9840503	ACCESSORY PLT (M27, M28, M29, M30)
0091	D9843303	L COVER PLATE (M27, M28, M29, M30)
0101	11046002	RH COVER PLATE (M27, M28, M29, M30)
0111	D9662103	SUBBASE WELD (M27, M28, M29, M30)
0141	M0200004	SCREW-ADJ (M27, M28, M29, M30) (QTY 2)
0151	M0216716	SCREW-SM (M27, M28, M29, M30) (QTY 15)
0161	M0227803	SCREW-TC (M27, M28, M29, M30) (QTY 2)
0181	M0371501	COVER-SGL REC (M27, M29)

Expanded Model and Color Nomenclature

M1 - FHK315C	P1109313R
M2 - FHK320C	P1109314R
M3 - FHK330C	P1109315R
M4 - AGK01CB	P1201101R
M5 - AGK01DB	P1201102R
M6 - AGK01ZB	P1201103R
M7 - AGK01WB	P1201104R
M8 - AGK01SB	P1201105R
M9 - AGK10CB	P1201201R
M10 - AGK10DB	P1201202R
M11 - AGK10ZB	P1201203R
M12 - AGK10WB	P1201204R
M13 - AGK10SB	P1201205R
M14 - HK315E	P1201301R
M15 - HK325E	P1201302R
M16 - HK335E	P1201304R
M17 - HK350E	P1201306R
M18 - HK415E	P1201307R
M19 - HK425E	P1201308R
M20 - HK435E	P1201310R
M21 - HK450E	P1201312R
M22 - CBK315C	P1201401R
M23 - CBK320C	P1201402R
M24 - CBK325C	P1201403R
M25 - CBK330C	P1201404R
M26 - TDK02	P1201501R
M27 - PTSB320C	P1201601R
M28 - PTSB330C	P1201602R
M29 - PTSB420C	P1201603R
M30 - PTSB430C	P1201604R
M31 - KL03	P1201701R
M32 - CDP302	P1201801R
M33 - CDP402	P1201802R
M34 - FK10A	P1201901R
M35 - PVK3A	P1202001R
M36 - PVK4A	P1202002R
M37 - RTS01	P1202101R
M38 - AGK01BB	P1201106R
M39 - AGK01LB	P1201107R

CDP/FK

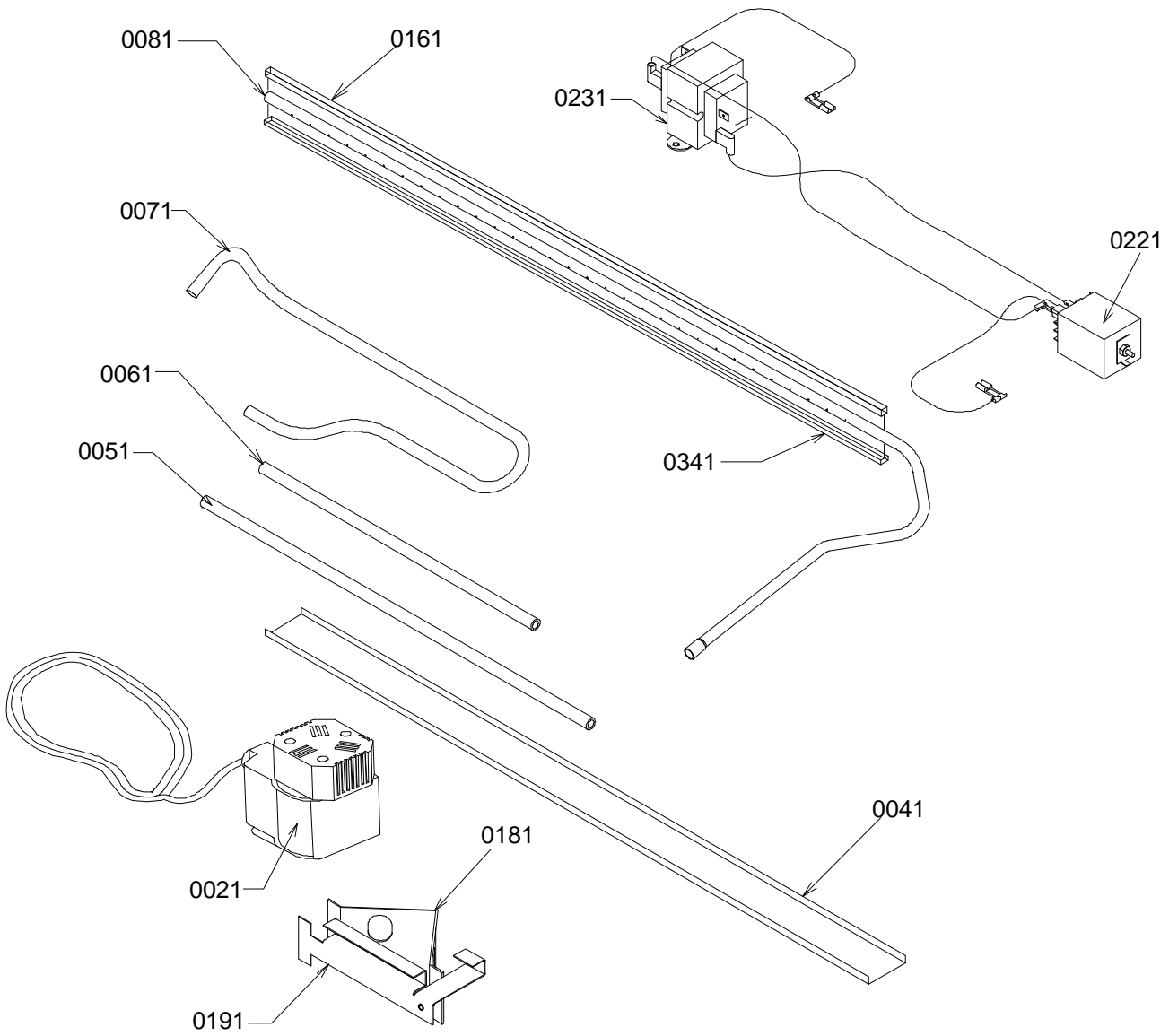
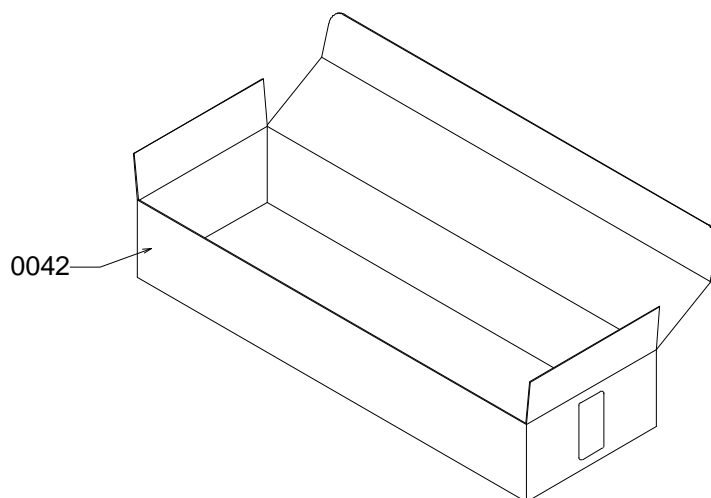


Image 1

Image 2



CDP/FK

Ref. No:	Part No:	Description:	Ref. No:	Part No:	Description:
----------	----------	--------------	----------	----------	--------------

Image 1 CDP

0000	M0119204	CLAMP-HOSE (M32, M33) (QTY 4)
0000	M0282005	NUT-KEPS (M32, M33)
0000	M0216716	SCREW-SM (M32, M33) (QTY 6)
0000	10100401	NUT-COND PUMP (M32, M33)
0000	11113701	INSTR-INSTAL (M32, M33)
0000	A4554812	SNAP BUSHING (M32, M33)
0000	M0104102	CLIP-CORD (M32, M33)
0000	M0270542	WASHER-FLAT (M32, M33)
0021	11125301	PUMP-CONDENSATE (M32, M33)
0041	11177402	COVER-EVAP (M32, M33)
0051	B1356116	HOSE-PLASTIC (M32, M33)
0061	B1356117	HOSE-PLASTIC (M32, M33)
0071	11165901	TUBE-RESTRICTOR (M32, M33)
0081	20011201	TUBE-CONDENSATE (M32, M33)
0161	10839802	GASKET-CROSS LINK (M32, M33) (QTY 25)
0181	11124901	BRKT-COND PUMP (M32, M33)
0191	11135901	BRKT-RESTRICTOR (M32, M33)
0221	C8873917	RELAY (M32, M33)
0231	B1378501	XFMR (M32)
0231	11172101	XFMR (M33)
0341	10839813	GASKET-FOAM (M32, M33) (QTY 25)

Image 2 FK

0042	11045201S	FILTER (M34) (QTY 10)
------	-----------	-----------------------

Expanded Model and Color Nomenclature

M1 - FHK315C	P1109313R
M2 - FHK320C	P1109314R
M3 - FHK330C	P1109315R
M4 - AGK01CB	P1201101R
M5 - AGK01DB	P1201102R
M6 - AGK01ZB	P1201103R
M7 - AGK01WB	P1201104R
M8 - AGK01SB	P1201105R
M9 - AGK10CB	P1201201R
M10 - AGK10DB	P1201202R
M11 - AGK10ZB	P1201203R
M12 - AGK10WB	P1201204R
M13 - AGK10SB	P1201205R
M14 - HK315E	P1201301R
M15 - HK325E	P1201302R
M16 - HK335E	P1201304R
M17 - HK350E	P1201306R
M18 - HK415E	P1201307R
M19 - HK425E	P1201308R
M20 - HK435E	P1201310R
M21 - HK450E	P1201312R
M22 - CBK315C	P1201401R
M23 - CBK320C	P1201402R
M24 - CBK325C	P1201403R
M25 - CBK330C	P1201404R
M26 - TDK02	P1201501R
M27 - PTSB320C	P1201601R
M28 - PTSB330C	P1201602R
M29 - PTSB420C	P1201603R
M30 - PTSB430C	P1201604R
M31 - KL03	P1201701R
M32 - CDP302	P1201801R
M33 - CDP402	P1201802R
M34 - FK10A	P1201901R
M35 - PVK3A	P1202001R
M36 - PVK4A	P1202002R
M37 - RTS01	P1202101R
M38 - AGK01BB	P1201106R
M39 - AGK01LB	P1201107R

PVK/RTS

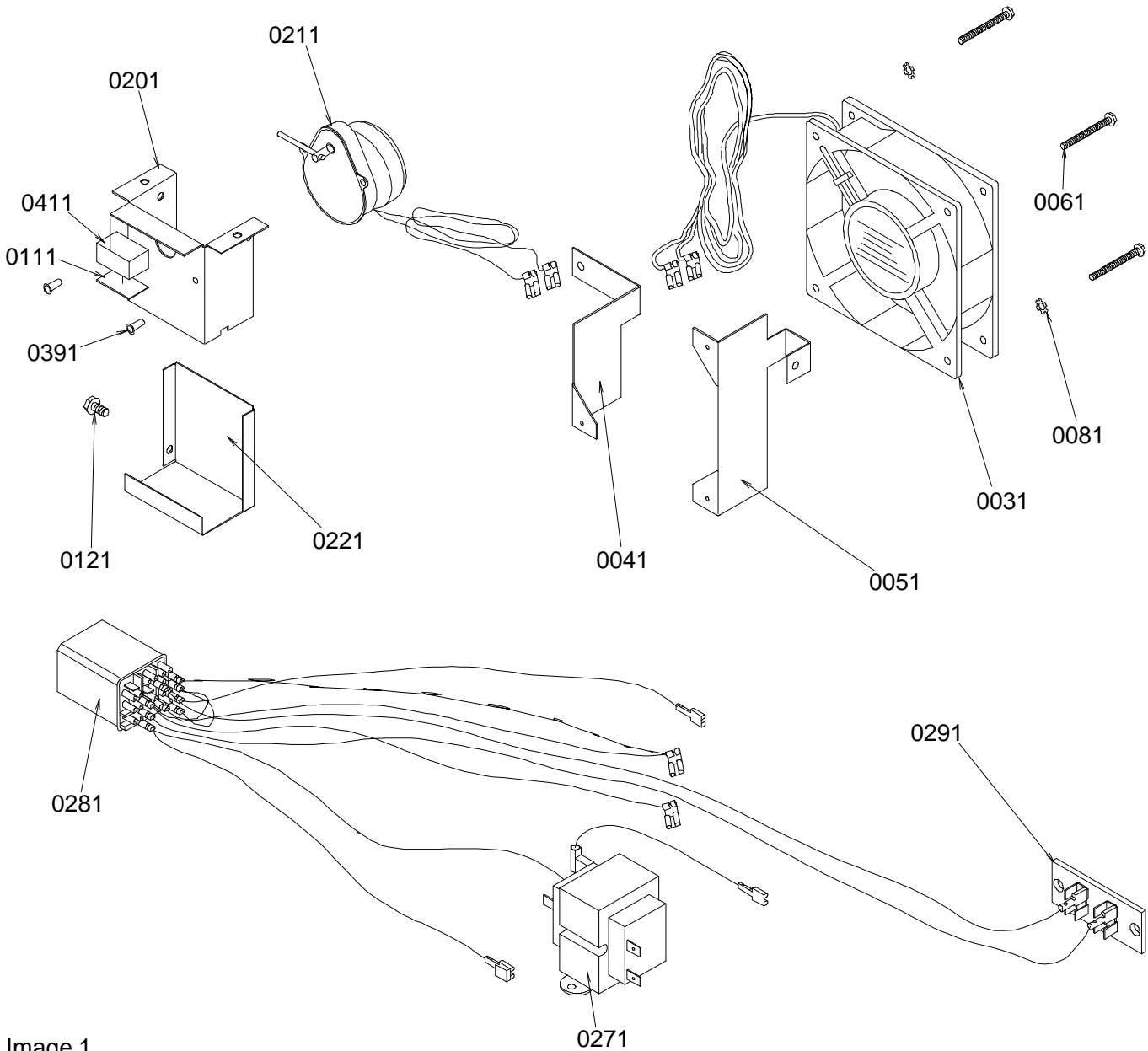
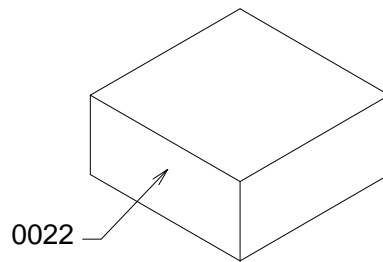


Image 1

Image 2



PVK/RTS

Ref. No:	Part No:	Description:	Ref. No:	Part No:	Description:
----------	----------	--------------	----------	----------	--------------

Image 1 PVK

0000	B1337701	SWITCH-PADDLE (M35, M36)
0000	11166401	SPRING-EXTENSION (M35, M36)
0000	11166301	BRKT-POWER VENT (M35, M36)
0000	M0370005	RELIEF-STRAIN (M35, M36)
0000	A4554812	SNAP BUSHING (M35, M36)
0000	M0282005	NUT-KEPS (M35, M36)
0000	11114201	INSTR-INSTAL (M35, M36)
0031	11149201	FAN-MUFFIN (M35, M36)
0041	11135801	BRKT-R FAN (M35, M36)
0051	11145801	BRKT-L FAN (M35, M36)
0061	M0211011	SCREW-SM (M35, M36) (QTY 3)
0081	M0272802	WASHER-LOCK (M35, M36) (QTY 2)
0111	11178301	BUMPER (M35, M36)
0121	M0216716	SCREW-SM (M35, M36) (QTY 11)
0201	11166101	BRKT-MOTOR (M35, M36)
0211	11172801	MOTOR (M35, M36)
0221	11166201	COVER-BRKT (M35, M36)
0271	B1378501	XFMR (M35)
0271	11172101	XFMR (M36)
0281	C8873932	RELAY (M35, M36)
0291	B1160701	BOARD-TERM (M35, M36)
0391	A4539606	RIVET-POP (M35, M36) (QTY 2)
0411	11178201	INSUL (M35, M36)

Image 2 RTS

0000	11125801	INSTR-INSTALL (M37)
0022	11116301	SENSOR-REMOTE TEMP (M37)

Expanded Model and Color Nomenclature

M1 - FHK315C	P1109313R
M2 - FHK320C	P1109314R
M3 - FHK330C	P1109315R
M4 - AGK01CB	P1201101R
M5 - AGK01DB	P1201102R
M6 - AGK01ZB	P1201103R
M7 - AGK01WB	P1201104R
M8 - AGK01SB	P1201105R
M9 - AGK10CB	P1201201R
M10 - AGK10DB	P1201202R
M11 - AGK10ZB	P1201203R
M12 - AGK10WB	P1201204R
M13 - AGK10SB	P1201205R
M14 - HK315E	P1201301R
M15 - HK325E	P1201302R
M16 - HK335E	P1201304R
M17 - HK350E	P1201306R
M18 - HK415E	P1201307R
M19 - HK425E	P1201308R
M20 - HK435E	P1201310R
M21 - HK450E	P1201312R
M22 - CBK315C	P1201401R
M23 - CBK320C	P1201402R
M24 - CBK325C	P1201403R
M25 - CBK330C	P1201404R
M26 - TDK02	P1201501R
M27 - PTSB320C	P1201601R
M28 - PTSB330C	P1201602R
M29 - PTSB420C	P1201603R
M30 - PTSB430C	P1201604R
M31 - KL03	P1201701R
M32 - CDP302	P1201801R
M33 - CDP402	P1201802R
M34 - FK10A	P1201901R
M35 - PVK3A	P1202001R
M36 - PVK4A	P1202002R
M37 - RTS01	P1202101R
M38 - AGK01BB	P1201106R
M39 - AGK01LB	P1201107R