

# REPAIR PARTS

---

## FURNACE ACCESSORIES CATALOG

Models and manufacturing  
numbers in this manual

ASB01	P1200202F
DEHUM1	P1227802F
EFR01	P1221001F
EFR01	P1221002F
FFK03A	P1122303C
FTK03A	P1171305F
LPLP01	P1237701F
LPM-03B	
LPT-00A	
LPTK09	P1200106F
LPTK09	P1200107F
LPTK09	P1200108F
TSRK01	P1232601F

Made in the USA by:  
Goodman Manufacturing Company, L.P.  
2550 North Loop West, Suite 400  
Houston Texas 77092

[www.goodmanmfg.com](http://www.goodmanmfg.com) [www.amana-hac.com](http://www.amana-hac.com)

RP-349  
July 2005

## Important Information

---

Goodman Manufacturing Company, L.P. is not responsible for personal injury or property damage resulting from improper service. Review all service information before beginning repairs.

Warranty service must be performed by an authorized technician, using authorized factory parts. If service is required after the warranty expires, Goodman Manufacturing Company, L.P. also recommends contacting an authorized technician and using authorized factory parts.

Goodman Manufacturing Company, L.P., reserves the right to discontinue, or change at any time, specifications or designs without notice or without incurring obligations. Goodman® brand products are made proudly in the USA.

For assistance within the U.S.A. contact:

Consumer Affairs Department  
Goodman Manufacturing Company, L.P.  
7401 Security Way  
Houston, Texas 77040  
877-254-4729-Telephone  
713-863-2382-Facsimile

For assistance outside the U.S.A. contact:

International Division  
Goodman Manufacturing Company, L.P.  
7401 Security Way  
Houston, Texas 77040  
713-861-2500-Telephone  
713-863-2382-Facsimile

# Index

Functional Parts List .....	5
Illustration and Parts .....	6 - 25

*Views shown are for parts illustrations only, not servicing procedures.*

### Text Codes:

AR - As Required

NA - Not Available

NS - Not Shown

00000000 - See Note

QTY - Quantity Example (QTY 3) (If Quantity not shown, Quantity = 1)

M - Model Example (M1) (If M Code not shown, then part is used on all Models)

### Expanded Model Nomenclature:

Example	
M1 - Model#1	P _____
M2 - Model#2	P _____
M3 - Model#3	P _____

**THIS PAGE INTENTIONALLY LEFT BLANK**

# Functional Parts

**Part No:**            **Description:**

---

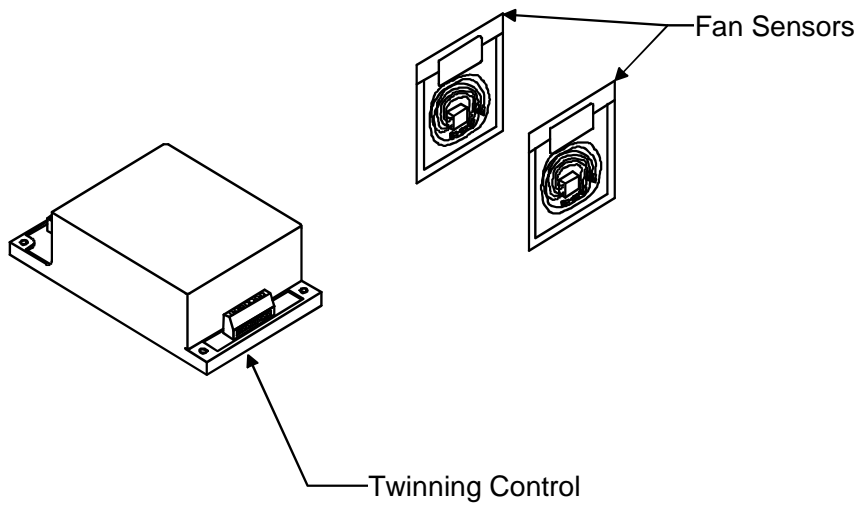
## SPECIAL PARTS

10539905S	INSTR-INSTAL (M1)
11047604	INSTR-INSTALL (M5)
10664129	INSTR-INSTALL (M13)
IO-590D	INSTR-INSTALL (M12)
20159301	INSTR-INSTALL (M9, M10)
10308710	INSTR-INSTALL (M2, M3)
10308715	INSTR-INSTALL (M4)
10314622	INSTR-INSTALL (M8)
10314617	INSTR-INSTALL (M7)
IO-594C	INSTR-LPT KIT (M11)
RP-349	PARTS MANUAL

## Expanded Model Nomenclature

M1 - FTK03A	P1171305F
M2 - LPTK09	P1200106F
M3 - LPTK09	P1200107F
M4 - LPTK09	P1200108F
M5 - ASB01	P1200202F
M6 - DEHUM1	P1227802F
M7 - TSRK01	P1232601F
M8 - LPLP01	P1237701F
M9 - EFR01	P1221001F
M10 - EFR01	P1221002F
M11 - LPT-00A	
M12 - LPM-03B	
M13 - FFK03A	P1122303C

# Furnace Twinning Kit (FTK03A)



# Furnace Twinning Kit (FTK03A)

**Ref. Part**

**No: No:**

**Description:**

**Ref. Part**

**No: No:**

**Description:**

---

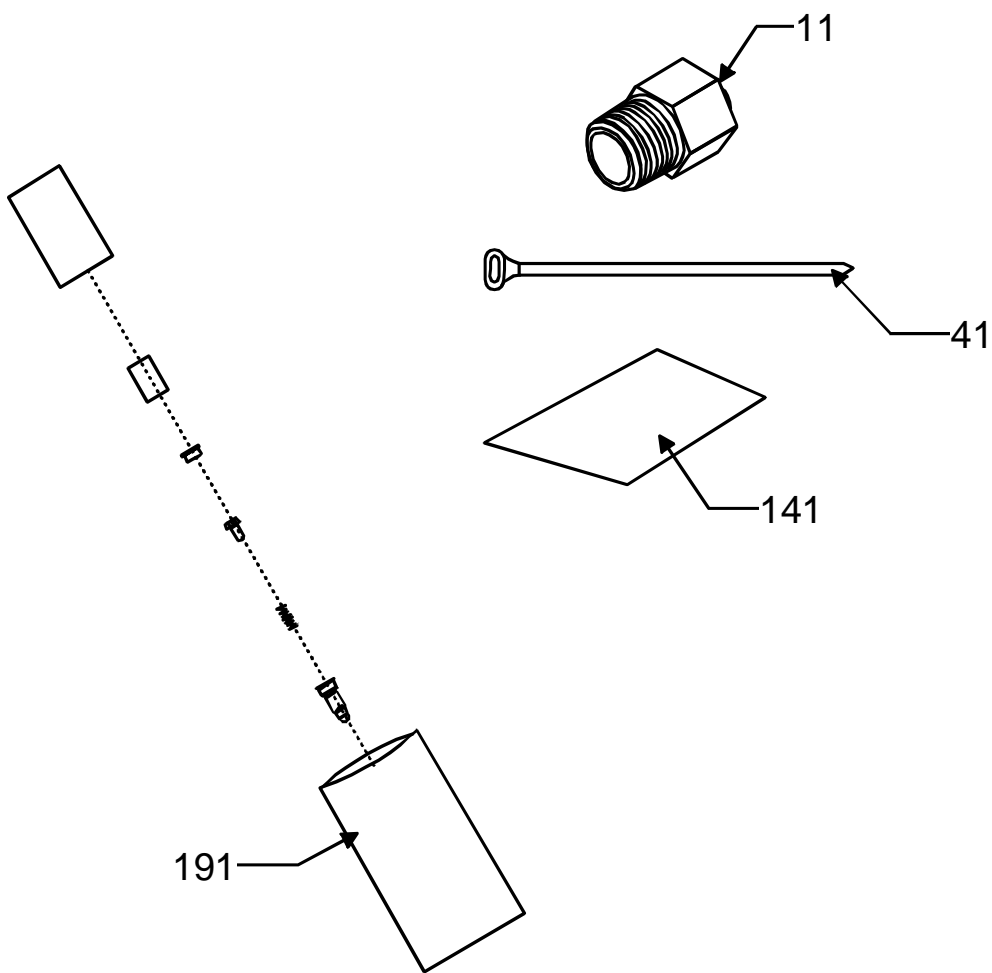
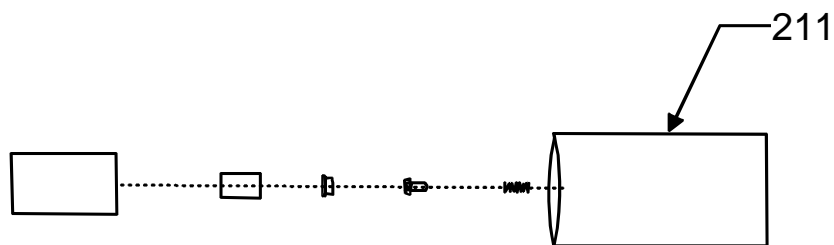
*Image 1:*

11	1171305	FTK03A-P/A (M1)
NS	10539905S	INSTR-INSTAL (M1)

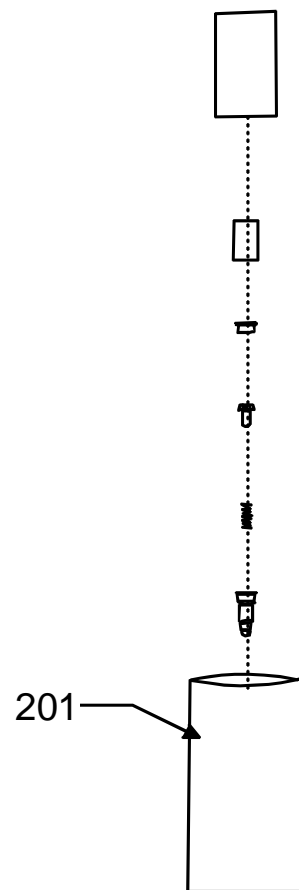
Expanded Model Nomenclature

M1 - FTK03A	P1171305F
M2 - LPTK09	P1200106F
M3 - LPTK09	P1200107F
M4 - LPTK09	P1200108F
M5 - ASB01	P1200202F
M6 - DEHUM1	P1227802F
M7 - TSRK01	P1232601F
M8 - LPLP01	P1237701F
M9 - EFR01	P1221001F
M10 - EFR01	P1221002F
M11 - LPT-00A	
M12 - LPM-03B	
M13 - FFK03A	P1122303C

# Propane Conversion Kit (LPTK09)



191



# Propane Conversion Kit (LPTK09)

Ref. Part No:	Description:	Ref. Part No:	Description:
---------------	--------------	---------------	--------------

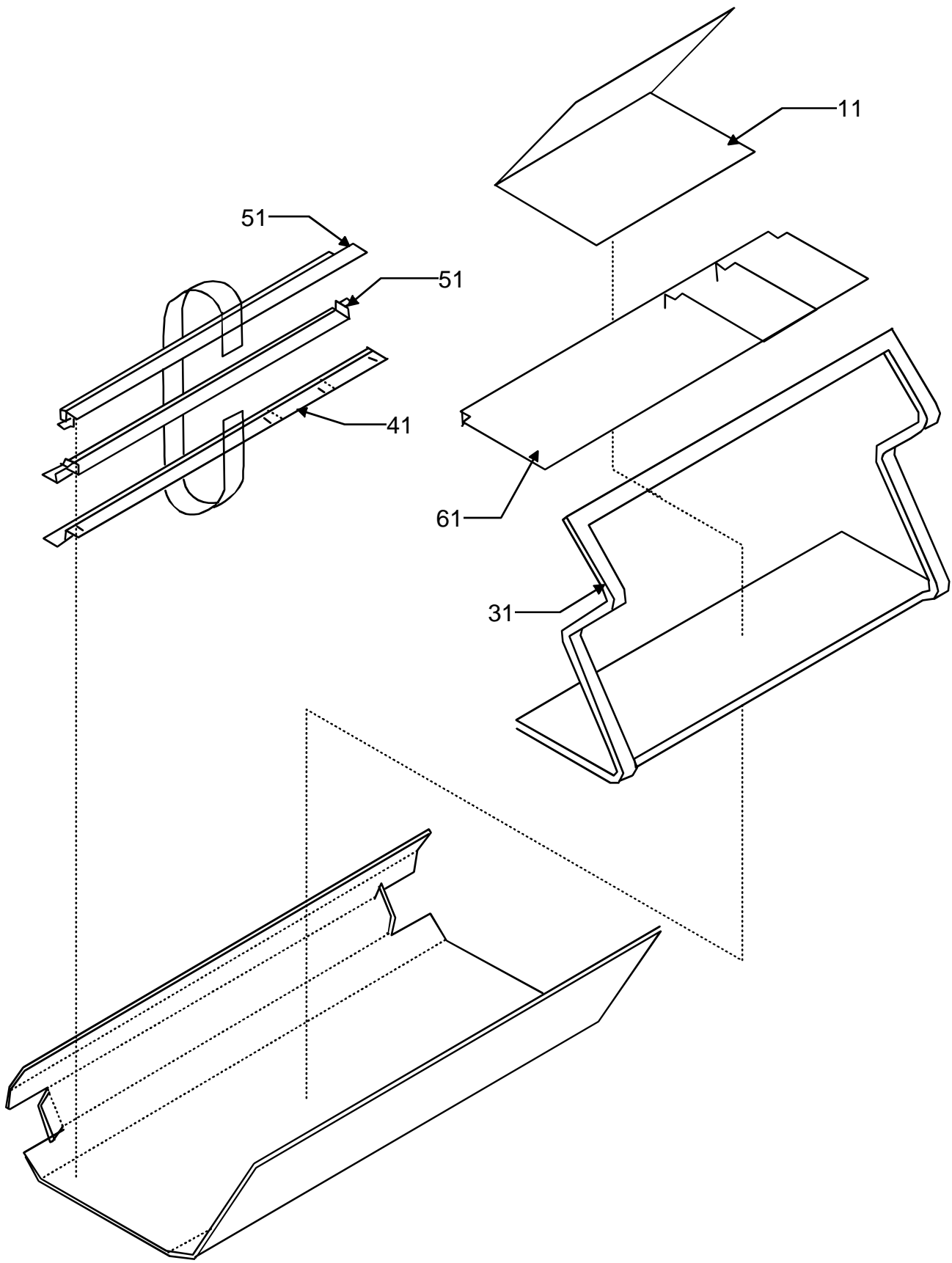
Image 1:

11	10716009	ORIFICE, QTY 6 (M2, M3, M4)
41	M0321202	TIE-ELEC LG, QTY 2 (M2, M3, M4)
141	10308710	INSTR-INSTALL (M2, M3)
141	10308715	INSTR-INSTALL (M4)
191	B1417603	VALVE-CONV KIT (M2, M3, M4)
201	B1444401	VALVE-CONV KIT (M2, M3, M4)
211	10674502	VALVE-CONV KIT (M2, M3, M4)

Expanded Model Nomenclature

M1 - FTK03A	P1171305F
M2 - LPTK09	P1200106F
M3 - LPTK09	P1200107F
M4 - LPTK09	P1200108F
M5 - ASB01	P1200202F
M6 - DEHUM1	P1227802F
M7 - TSRK01	P1232601F
M8 - LPLP01	P1237701F
M9 - EFR01	P1221001F
M10 - EFR01	P1221002F
M11 - LPT-00A	
M12 - LPM-03B	
M13 - FFK03A	P1122303C

# Adjustable Subbase Kit (ASB01)



# Adjustable Subbase Kit (ASB01)

Ref. Part No:	Part No:	Description:	Ref. Part No:	Part No:	Description:
---------------	----------	--------------	---------------	----------	--------------

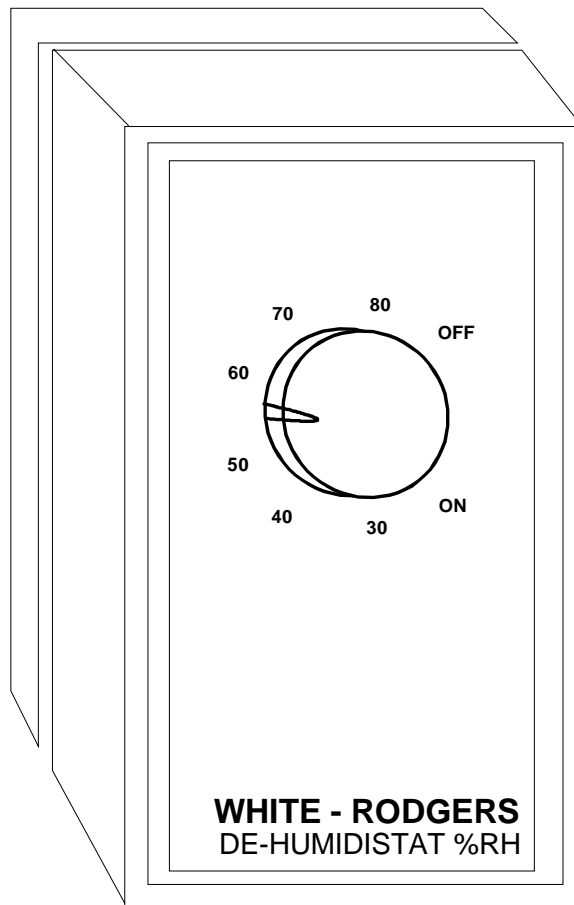
Image 1:

11	11047604	INSTR-INSTALL (M5)
31	11035002	INSUL-SUBBASE (M5)
41	11035101V	SUBBASE-BACK (M5)
51	11035201V	SUBBASE-SIDE, QTY 2 (M5)
61	11035301V	SUBBASE-FRONT (M5)
NS	11047604	INSTR-INSTALL (M5)

Expanded Model Nomenclature

M1 - FTK03A	P1171305F
M2 - LPTK09	P1200106F
M3 - LPTK09	P1200107F
M4 - LPTK09	P1200108F
M5 - ASB01	P1200202F
M6 - DEHUM1	P1227802F
M7 - TSRK01	P1232601F
M8 - LPLP01	P1237701F
M9 - EFR01	P1221001F
M10 - EFR01	P1221002F
M11 - LPT-00A	
M12 - LPM-03B	
M13 - FFK03A	P1122303C

# Dehumidifier (DEHUM1)



# Dehumidifier (DEHUM1)

**Ref. Part**

**No: No:**

**Description:**

**Ref. Part**

**No: No:**

**Description:**

---

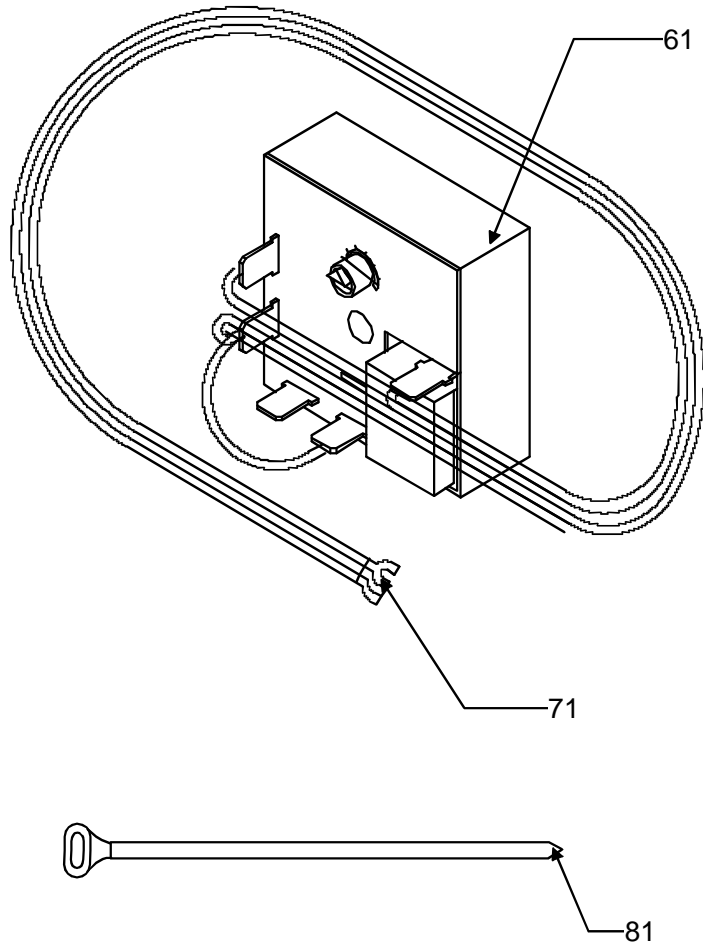
*Image 1:*

1 1227802 DEHUM1-P/A (M6)

Expanded Model Nomenclature

M1 - FTK03A	P1171305F
M2 - LPTK09	P1200106F
M3 - LPTK09	P1200107F
M4 - LPTK09	P1200108F
M5 - ASB01	P1200202F
M6 - DEHUM1	P1227802F
M7 - TSRK01	P1232601F
M8 - LPLP01	P1237701F
M9 - EFR01	P1221001F
M10 - EFR01	P1221002F
M11 - LPT-00A	
M12 - LPM-03B	
M13 - FFK03A	P1122303C

# Two Stage Relay Kit (TSRK01)



# Two Stage Relay Kit (TSRK01)

**Ref. Part**

**No: No:**

**Description:**

**Ref. Part**

**No: No:**

**Description:**

---

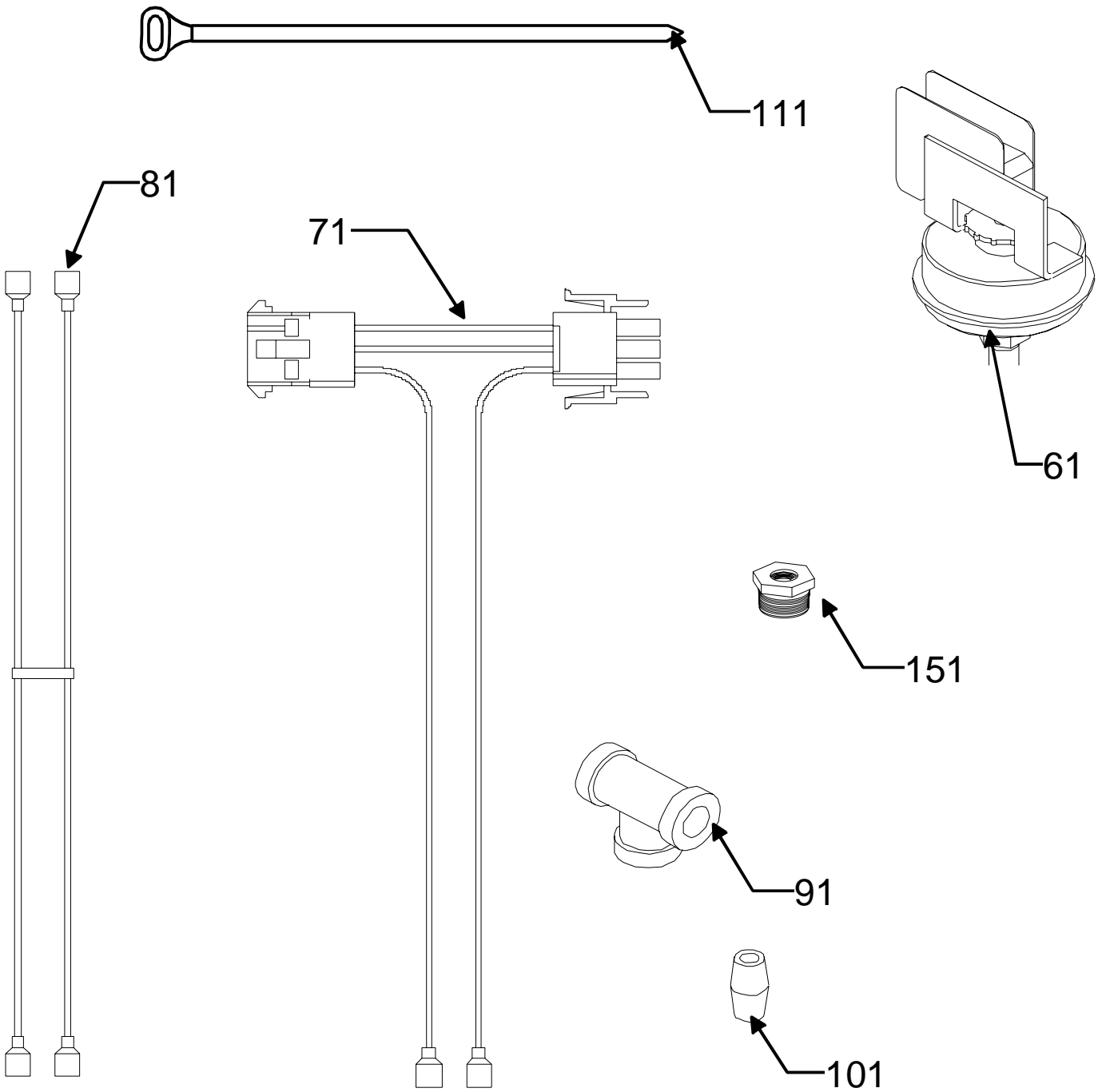
*Image 1:*

61	20260501	RELAY-TIMER (M7)
71	10249412	WIRE ASSY (M7)
81	M0321204	TIE-ELEC SM (M7)
NS	10314617	INSTR-INSTALL (M7)

Expanded Model Nomenclature

M1 - FTK03A	P1171305F
M2 - LPTK09	P1200106F
M3 - LPTK09	P1200107F
M4 - LPTK09	P1200108F
M5 - ASB01	P1200202F
M6 - DEHUM1	P1227802F
M7 - TSRK01	P1232601F
M8 - LPLP01	P1237701F
M9 - EFR01	P1221001F
M10 - EFR01	P1221002F
M11 - LPT-00A	
M12 - LPM-03B	
M13 - FFK03A	P1122303C

# Propane Conversion Kit (LPLP01)



# Propane Conversion Kit (LPLP01)

Ref. Part No:	Part No:	Description:	Ref. Part No:	Part No:	Description:
---------------	----------	--------------	---------------	----------	--------------

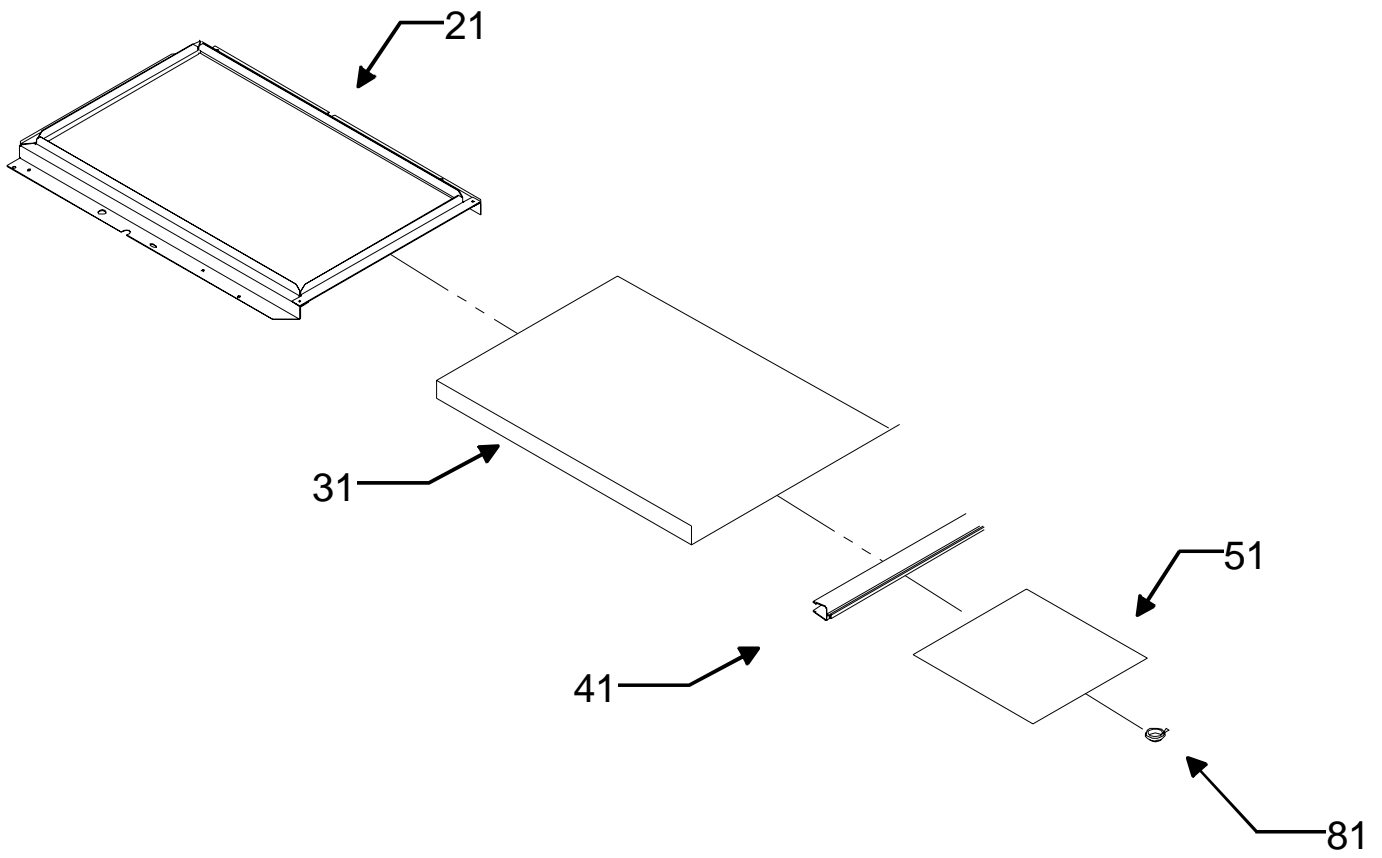
Image 1:

61	20328701	SWITCH-GAS PRESS (M8)
71	20328803	HARNESS-WIRE (M8)
81	20328801	HARNESS-WIRE (M8)
91	91000401	TEE-PIPE (M8)
101	M0020032	NIPPLE-PIPE (M8)
111	M0322801	TIE-ELEC (M8)
NS	M0021305	BUSHING-REDUCER (M8)
NS	10314622	INSTR-INSTALL (M8)

Expanded Model Nomenclature

M1 - FTK03A	P1171305F
M2 - LPTK09	P1200106F
M3 - LPTK09	P1200107F
M4 - LPTK09	P1200108F
M5 - ASB01	P1200202F
M6 - DEHUM1	P1227802F
M7 - TSRK01	P1232601F
M8 - LPLP01	P1237701F
M9 - EFR01	P1221001F
M10 - EFR01	P1221002F
M11 - LPT-00A	
M12 - LPM-03B	
M13 - FFK03A	P1122303C

# External Filter (EFR01)



# External Filter (EFR01)

Ref. Part No:	Description:	Ref. Part No:	Description:
---------------	--------------	---------------	--------------

Image 1:

21	20157901	FILTER RACK ASSY (M9)
21	20157902	FILTER RACK ASSY (M10)
31	22316601	FILTER ASSY (M9)
41	20158001	FILTER EXTRUSION (M9, M10)
81	M0570808	PLUG-BUTTON (M9, M10)
NS	20159301	INSTR-INSTALL (M9, M10)

Expanded Model Nomenclature

M1 - FTK03A	P1171305F
M2 - LPTK09	P1200106F
M3 - LPTK09	P1200107F
M4 - LPTK09	P1200108F
M5 - ASB01	P1200202F
M6 - DEHUM1	P1227802F
M7 - TSRK01	P1232601F
M8 - LPLP01	P1237701F
M9 - EFR01	P1221001F
M10 - EFR01	P1221002F
M11 - LPT-00A	
M12 - LPM-03B	
M13 - FFK03A	P1122303C

**NO PICTORIAL AVAILABLE**

# Liq.Propane Tube Kit (LPT-00A)

Ref. Part No:	Part No:	Description:	Ref. Part No:	Part No:	Description:
---------------	----------	--------------	---------------	----------	--------------

Image 1:

NS	B1880006	CONV KIT (M11)
NS	IO-594C	INSTR-LPT KIT (M11)
NS	B1880007	LP SPRING KIT F/WH RODGER VALV (M11)
NS	B4089955	ORIFICE ASM. (M11)

Expanded Model Nomenclature

M1 - FTK03A	P1171305F
M2 - LPTK09	P1200106F
M3 - LPTK09	P1200107F
M4 - LPTK09	P1200108F
M5 - ASB01	P1200202F
M6 - DEHUM1	P1227802F
M7 - TSRK01	P1232601F
M8 - LPLP01	P1237701F
M9 - EFR01	P1221001F
M10 - EFR01	P1221002F
M11 - LPT-00A	
M12 - LPM-03B	
M13 - FFK03A	P1122303C

**NO PICTORIAL AVAILABLE**

# Liquid Propane Kit (LPM-03B)

Ref. Part No:	Description:	Ref. Part No:	Description:
---------------	--------------	---------------	--------------

---

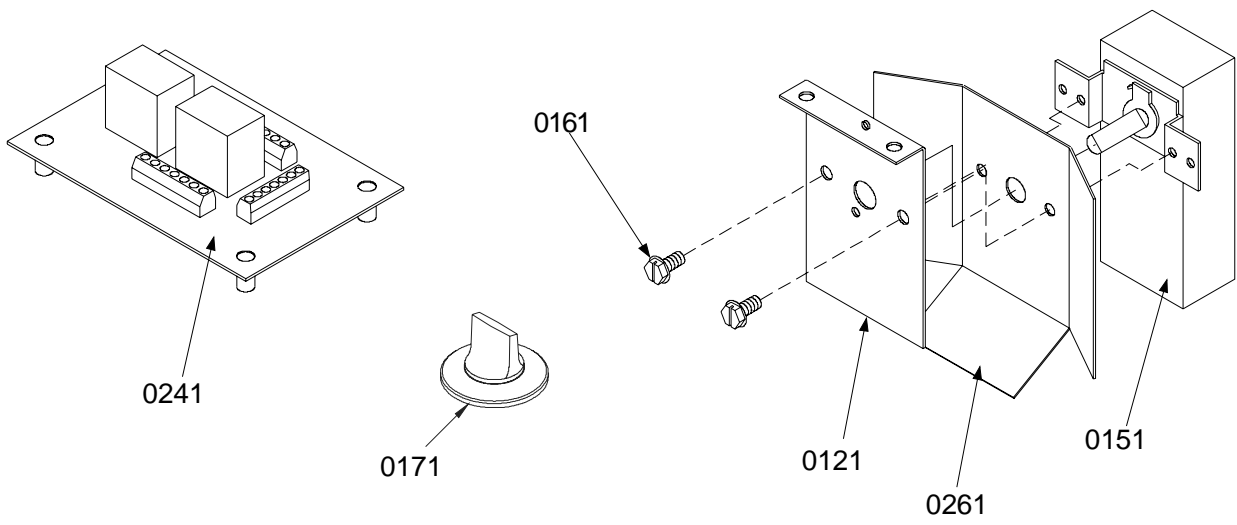
Image 1:

NS B1282618	GAS VALVE, HSI (2-STG LP) (M12)
NS IO-590D	INSTR-INSTALL (M12)
NS B4089955	ORIFICE ASM. (M12)
NS B40899125	SPUD ORIFICE ASM., 1.25 MM (M12)

Expanded Model Nomenclature

M1 - FTK03A	P1171305F
M2 - LPTK09	P1200106F
M3 - LPTK09	P1200107F
M4 - LPTK09	P1200108F
M5 - ASB01	P1200202F
M6 - DEHUM1	P1227802F
M7 - TSRK01	P1232601F
M8 - LPLP01	P1237701F
M9 - EFR01	P1221001F
M10 - EFR01	P1221002F
M11 - LPT-00A	
M12 - LPM-03B	
M13 - FFK03A	P1122303C

# Fossil Fuel Kit (FFK03A)



# Fossil Fuel Kit (FFK03A)

Ref. Part No:	Ref. Part No:	Description:	Description:
---------------	---------------	--------------	--------------

Image 1:

121	10068501	BRACKET-ODT (M13)
151	C6444001	T-STAT-OUTDOOR (M13)
161	M0211003	SCREW-SM (M13)
171	C2737506	KNOB-CONT (M13)
241	20151601	BOARD-CONTROL (M13)
261	20191001	BARRIER-LAC SWITCH (M13)
NS	10664129	INSTR-INSTALL (M13)

Expanded Model Nomenclature

M1 - FTK03A	P1171305F
M2 - LPTK09	P1200106F
M3 - LPTK09	P1200107F
M4 - LPTK09	P1200108F
M5 - ASB01	P1200202F
M6 - DEHUM1	P1227802F
M7 - TSRK01	P1232601F
M8 - LPLP01	P1237701F
M9 - EFR01	P1221001F
M10 - EFR01	P1221002F
M11 - LPT-00A	
M12 - LPM-03B	
M13 - FFK03A	P1122303C