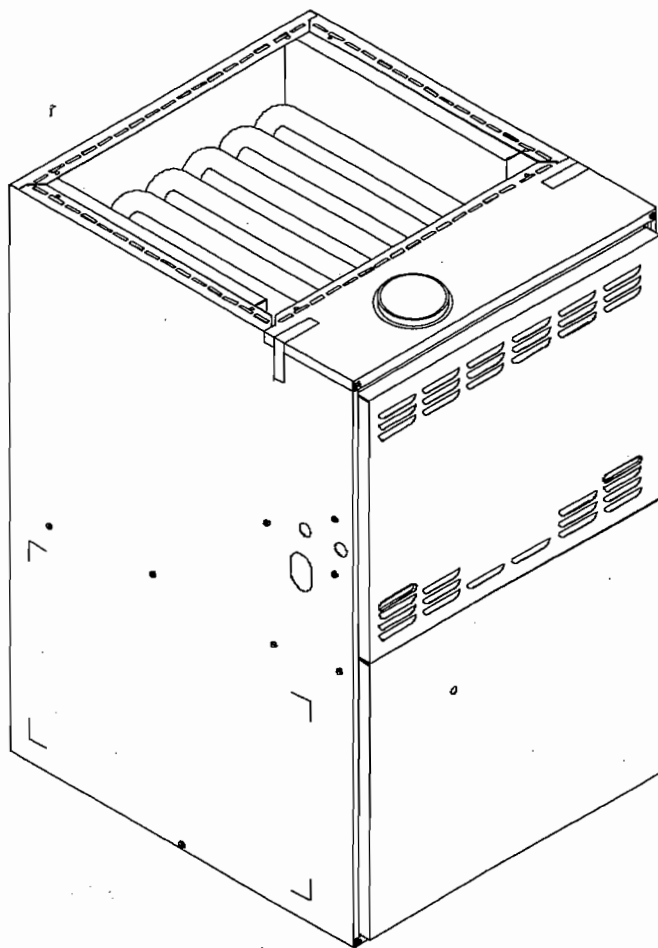


Parts

GUIB Gas Furnace

This manual replaces RP6620006 Rev. 1.



This manual is to be used by qualified appliance technicians only. Amana does not assume any responsibility for property damage or personal injury for improper service procedures done by an unqualified person.

Amana

Models and manufacturing numbers in this manual

GUIB045A30	P1186401F
GUIB045B30	P1206801F
GUIB070A30	P1186402F
GUIB070A40	P1186403F
GUIB070B30	P1206802F
GUIB070B40	P1206803F
GUIB090A30	P1186404F
GUIB090A50	P1186405F
GUIB090B30	P1206804F
GUIB090B50	P1206805F
GUIB115A40	P1186406F
GUIB115A50	P1186407F
GUIB115B50	P1206807F
GUIB140A50	P1186408F

RP6620006
Revision 2
April 1999

Important Information

Amana is not responsible for personal injury or property damage resulting from improper service. Review all service information before beginning repairs.

Warranty service must be performed by an authorized technician, using authorized factory parts. If service is required after the warranty expires, Amana also recommends contacting an authorized technician and using authorized factory parts. Locate an authorized technician by calling 800-NATLSVC (800-628-5782).

For assistance within the U.S.A. contact:
Consumer Affairs Department
Amana
2800 220th Trail
Amana IA 52204-0001
319-622-5511--Telephone
319-622-2977--Facsimile

For assistance outside the U.S.A. contact:
International Division
Amana
2800 220th Trail
Amana IA 52204-0001
USA
319-622-5511--Telephone
319-622-8595--Facsimile

Index

Functional Parts List	4 - 5
Illustration and Parts	6 - 15

Views shown are for parts illustrations only, not servicing procedures.

M1, M2, M9, M10 C9446702 WAS C9443702

Text Codes:

AR - As Required

0000 - Not Shown

QTY - Quantity Example (QTY 3) (If Quantity not shown, Quantity = 1)

M - Model Example (M1) (If M Code not shown, then part is used on all Models)

NA - Not Available

Expanded Model and Color Nomenclature:

Example	
M1 - Model#1	P _____
M2 - Model#2	P _____
M3 - Model#3	P _____

Functional Parts

Part No:	Description:
10099901	CAPACITOR (M3, M5)
D6859325	CAPACITOR (M1, M2, M4, M6, M11)
D6879739	CAPACITOR (M7, M9)
D6879740	CAPACITOR (M14)
D6879746	CAPACITOR (M8, M10, M12, M13)
11003101	CONTROL-INTEGRATED
11002801	FLAME-SENSOR
11008605	HARNESS-WIRING (M2, M5, M6, M9, M10, M13)
11008604	HARNESS-WIRING (M1, M3, M4, M7, M8, M11, M12, M14)
10735001	IGNITOR
10728301	LIMIT-PRIMARY (M4, M6)
10728305	LIMIT-PRIMARY (M7, M9, M12, M13)
10728307	LIMIT-PRIMARY (M8, M10)
10728315	LIMIT-PRIMARY (M1, M2)
10728316	LIMIT-PRIMARY (M3, M5)
10728317	LIMIT-PRIMARY (M11, M14)
10123506	LIMIT-RESET, MANUAL
10123513	LIMIT-RESET, MANUAL ROLLOUT (M11, M12, M13)
10123510	LIMIT-RESET, MANUAL ROLLOUT (M3, M4, M5, M6, M7, M8, M9, M10)
10123509	LIMIT-RESET, MANUAL ROLLOUT (M14)
10123508	LIMIT-RESET, MANUAL ROLLOUT (M1, M2)
10759302	MOTOR-BLOWER 1/2 HP (M11)
10759202	MOTOR-BLOWER 1/2 HP (M4, M6)
10759301	MOTOR-BLOWER 1/2 HP (M7, M9)
10759401	MOTOR-BLOWER 1/2 HP (M8, M10)
10759201	MOTOR-BLOWER 1/3 HP (M3, M5)
10759203	MOTOR-BLOWER 1/3 HP (M1, M2)
10759402	MOTOR-BLOWER 3/4 HP (M12, M13)
10759403	MOTOR-BLOWER 3/4 HP (M14)
10716009	ORIFICE
10716003	ORIFICE
1200101A	PROPANE CONVERSION KIT
10727902	SWITCH-PRESSURE (M1, M2)
10727905	SWITCH-PRESSURE (M11, M12, M13)
10727904	SWITCH-PRESSURE (M7, M8, M9, M10)
10727906	SWITCH-PRESSURE (M14)
10727903	SWITCH-PRESSURE (M3, M4, M5, M6)
C6349701	TRANSFORMER
11002701	VALVE-GAS-WHITE RODGERS

Functional Parts

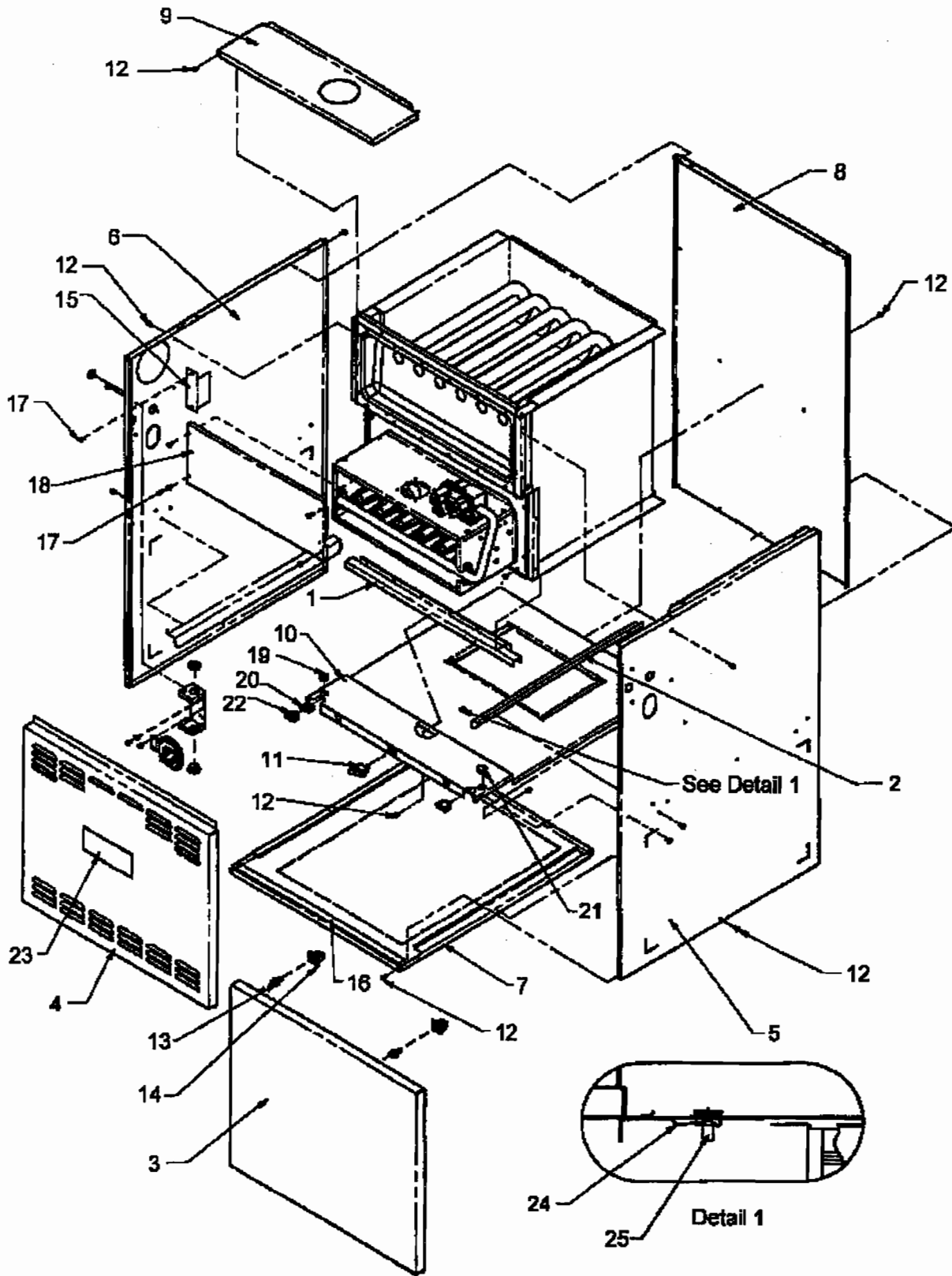
Part**No: Description:****SPECIAL PARTS**

10759803	INSTRUCTION-INSTALLATION (M1, M3, M4, M7, M8, M11, M12, M14)
10772902	INSTRUCTION-INSTALLATION
10759811	INSTRUCTION-INSTALLATION (M2, M5, M6, M9, M10, M13)
RP6620006	MANUAL-PARTS
10759603	MANUAL-USERS
10759701	MANUAL-VENTING

Expanded Model and Color Nomenclature

M1 - GUIB045A30	P1186401F
M2 - GUIB045B30	P1206801F
M3 - GUIB070A30	P1186402F
M4 - GUIB070A40	P1186403F
M5 - GUIB070B30	P1206802F
M6 - GUIB070B40	P1206803F
M7 - GUIB090A30	P1186404F
M8 - GUIB090A50	P1186405F
M9 - GUIB090B30	P1206804F
M10 - GUIB090B50	P1206805F
M11 - GUIB115A40	P1186406F
M12 - GUIB115A50	P1186407F
M13 - GUIB115B50	P1206807F
M14 - GUIB140A50	P1186408F

CABINET ASSY



CABINET ASSY

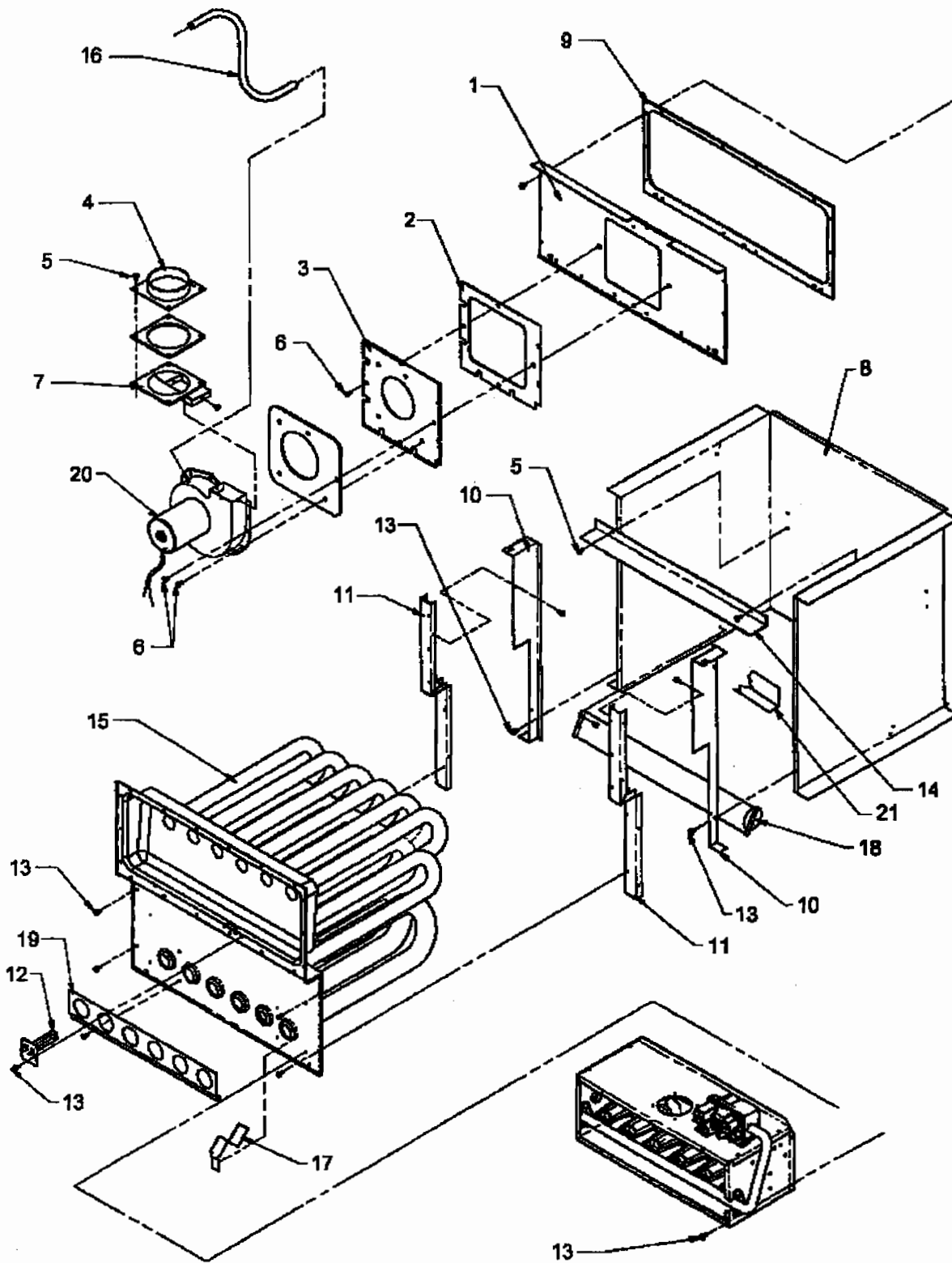
Ref. Part No: No:	Description:
<i>Image 1</i>	
1 10728401	SUPPORT-PARTITION PANEL
1 10728402	SUPPORT-PARTITION PANEL (M7, M8, M9, M10)
1 10728403	SUPPORT-PARTITION PANEL (M11, M12, M13, M14)
2 10690301	ANGLE-FILTER
3 10727720	BLOWER-DOOR-PNT (M1, M2, M3, M4, M5, M6)
3 10727722	BLOWER-DOOR-PNT (M7, M8, M9, M10)
3 10727724	BLOWER-DOOR-PNT (M11, M12, M13, M14)
4 10727802	ACCESS DOOR-PNT (M1, M2, M3, M4, M5, M6)
4 10727804	ACCESS DOOR-PNT (M7, M8, M9, M10)
4 10727806	ACCESS DOOR-PNT (M11, M12, M13, M14)
5 10727013	PANEL-RIGHT SIDE
6 10727113	PANEL-LEFT SIDE
7 10727508	BASEPAN-PNT (M1, M2, M3, M4, M5, M6)
7 10727510	BASEPAN-PNT (M7, M8, M9, M10)
7 10727512	BASEPAN-PNT (M11, M12, M13, M14)
8 10727414	BACK PANEL-PNT (M1, M2, M3, M4, M5, M6)
8 10727416	BACK PANEL-PNT (M7, M8, M9, M10)
8 10727418	BACK PANEL-PNT (M11, M12, M13, M14)
9 10779120	TOP COVER-PNT (M1, M2, M3, M4, M5, M6)
9 10779122	TOP COVER-PNT (M7, M8, M9, M10)
9 10779124	TOP COVER-PNT (M11, M12, M13, M14)
10 11034801	DECK-BLOWER (M4, M6)
10 11034802	DECK-BLOWER (M7, M8, M9, M10)
10 11034803	DECK-BLOWER (M11)
10 11034804	DECK-BLOWER (M1, M2, M3, M5)
10 11034805	DECK-BLOWER (M12, M13, M14)
11 10690401	SWITCH-INTERLOCK
12 M0219916	SCREW-SM
13 10690101	STRIKE-DOOR
14 10690001	DOOR CATCH ASSEMBLY
15 10736201	COVER-HIGH VOLTAGE BOX
16 A9020401	RETAINER-FILTER (M1, M2, M3, M4, M5, M6)
16 A9020402	RETAINER-FILTER (M7, M8, M9, M10)
16 A9020403	RETAINER-FILTER (M11, M12, M13, M14)
17 M0216529	SCREW-SM
18 10734606	BOX-FRONT BURNER (M1, M2)
18 10734607	BOX-FRONT BURNER (M3, M4, M5, M6)
18 10734608	BOX-FRONT BURNER (M7, M8, M9, M10)
18 10734609	BOX-FRONT BURNER (M11, M12, M13)
18 10734610	BOX-FRONT BURNER (M14)
19 M0571001	BUSHING-SNAP
20 11001301	GASKET-GROMMET
21 M0310308	PLUG-WHITE BUTTON
22 A4568804	GROMMET-D
23 11034902	NAMEPLATE-AMANA
24 10861101	BRACKET-AUXILLARY DECK LIMIT
25 10123506	LIMIT-RESET, MANUAL

Ref. Part No: No:	Description:
-------------------	--------------

Expanded Model and Color Nomenclature

M1 - GUIB045A30	P1186401F
M2 - GUIB045B30	P1206801F
M3 - GUIB070A30	P1186402F
M4 - GUIB070A40	P1186403F
M5 - GUIB070B30	P1206802F
M6 - GUIB070B40	P1206803F
M7 - GUIB090A30	P1186404F
M8 - GUIB090A50	P1186405F
M9 - GUIB090B30	P1206804F
M10 - GUIB090B50	P1206805F
M11 - GUIB115A40	P1186406F
M12 - GUIB115A50	P1186407F
M13 - GUIB115B50	P1206807F
M14 - GUIB140A50	P1186408F

COLLECTOR BOX & VENT ASSY



COLLECTOR BOX & VENT ASSY

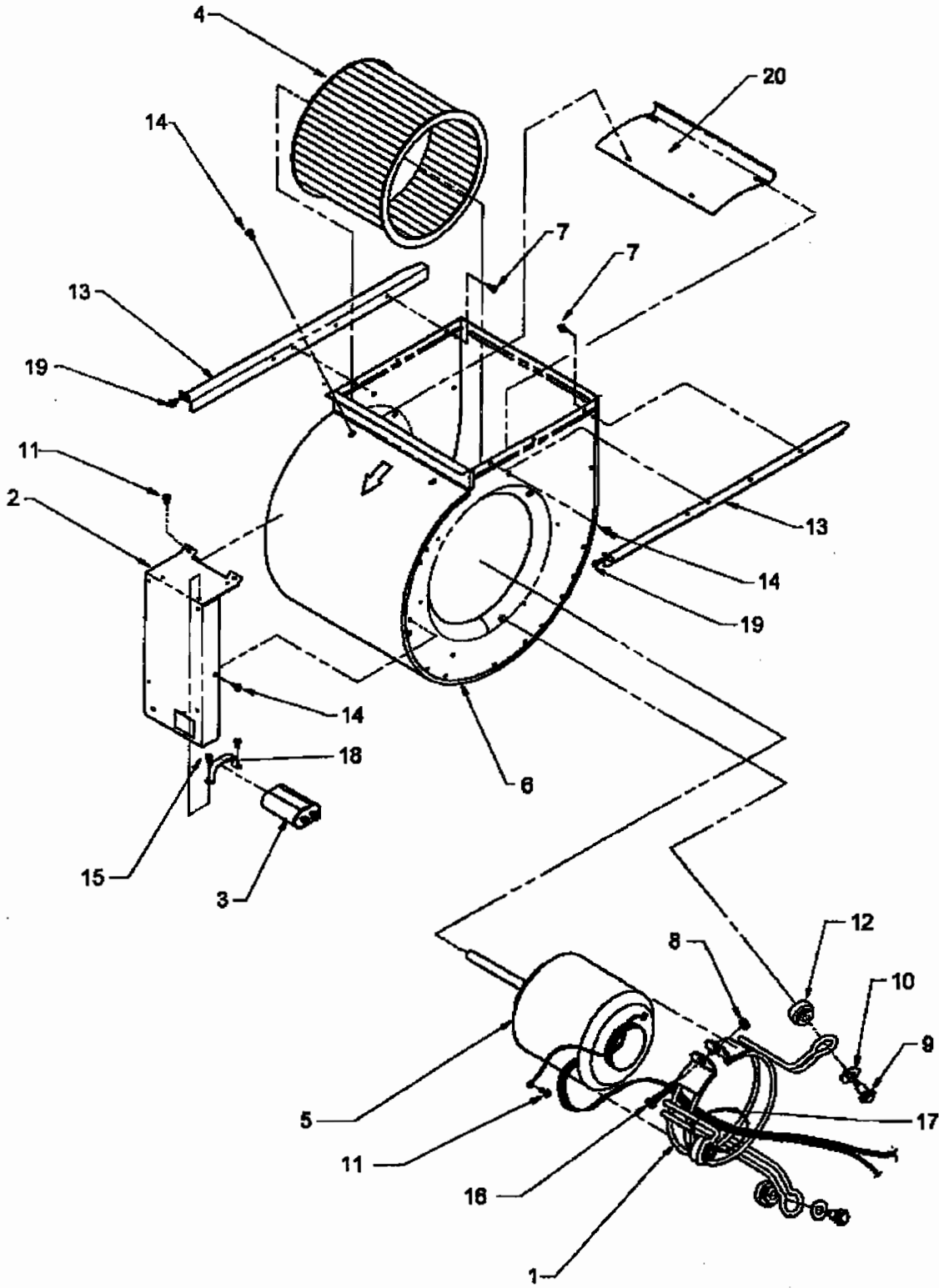
Ref. Part No: No:	Description:
<i>Image 1</i>	
1 10764404	PLATE-PARTITION (M1, M2, M3, M4, M5, M6)
1 10764405	PLATE-PARTITION (M7, M8, M9, M10)
1 10764406	PLATE-PARTITION (M11, M12, M13, M14)
2 10764601	GASKET-ROTATE PLATE
3 10764304	PLATE-ROTATING (M11, M12, M13)
3 10764306	PLATE-ROTATING (M1, M2)
3 10764307	PLATE-ROTATING (M3, M4, M5, M6)
3 10764308	PLATE-ROTATING (M7, M8, M9, M10)
3 10764309	PLATE-ROTATING (M14)
4 11009701	TOP-TRANSITION PLATE
5 M0253516	SCREW-TR
6 M0224303	SCREW-SM
7 11009401	TRANSITION-INDUCED DRAFT BLOWER
8 10728707	LINER-CABINET (M1, M2)
8 10728708	LINER-CABINET (M3, M4, M5, M6)
8 10728709	LINER-CABINET (M7, M8, M9, M10)
8 10728710	LINER-CABINET (M11, M12, M13)
8 10728711	LINER-CABINET (M14)
9 11076501	GASKET-COLLECTOR BOX (M1, M2, M3, M4, M5, M6)
9 11076502	GASKET-COLLECTOR BOX (M7, M8, M9, M10)
9 11076503	GASKET-COLLECTOR BOX (M11, M12, M13, M14)
10 10728601	BRACKET-LINER MOUNTING
10 10728602	BRACKET-LINER MOUNTING
11 10728503	RAIL-PARTITION PANEL
11 10728504	RAIL-PARTITION PANEL
12 10728301	LIMIT-PRIMARY (M4, M6)
12 10728305	LIMIT-PRIMARY (M7, M9, M12, M13)
12 10728307	LIMIT-PRIMARY (M8, M10)
12 10728315	LIMIT-PRIMARY (M1, M2)
12 10728316	LIMIT-PRIMARY (M3, M5)
12 10728317	LIMIT-PRIMARY (M11, M14)
13 M0219916	SCREW-SM
14 11008302	BAFFLE-LINER (M3, M4, M5, M6)
14 11008303	BAFFLE-LINER (M7, M8, M9, M10)
14 11008304	BAFFLE-LINER (M11, M12, M13)
14 11008305	BAFFLE-LINER (M14)
14 11008306	BAFFLE-LINER (M1, M2)
15 11001701	PARTITION/TUBE ASSEMBLY (M1, M2)
15 11001702	PARTITION/TUBE ASSEMBLY (M3, M4, M5, M6)
15 11001703	PARTITION/TUBE ASSEMBLY (M7, M8, M9, M10)
15 11001704	PARTITION/TUBE ASSEMBLY (M11, M12, M13)
15 11001705	PARTITION/TUBE ASSEMBLY (M14)
16 B1410304	HOSE-PRESSURE SWITCH
17 10624002	INSERT-MESH TUBE (M14)
17 10624002	INSERT-MESH TUBE (M7, M8, M9, M10)
17 10624002	INSERT-MESH TUBE (M11, M12, M13)
17 10624002	INSERT-MESH TUBE (M1, M2)
17 10624002	INSERT-MESH TUBE (M3, M4, M5, M6)
18 11008801	BAFFLE-DECK (M4, M6)
18 11008802	BAFFLE-DECK (M7, M9)
19 10734901	SHIELD-ORIFICE (M1, M2)
19 10734902	SHIELD-ORIFICE (M3, M4, M5, M6)

Ref. Part No: No:	Description:
19 10734903	SHIELD-ORIFICE (M7, M8, M9, M10)
19 10734904	SHIELD-ORIFICE (M11, M12, M13)
19 10734905	SHIELD-ORIFICE (M14)
20 11009002	BLOWER-INDUCED DRAFT
21 11008306	BAFFLE-LINER

Expanded Model and Color Nomenclature

M1 - GUIB045A30	P1186401F
M2 - GUIB045B30	P1206801F
M3 - GUIB070A30	P1186402F
M4 - GUIB070A40	P1186403F
M5 - GUIB070B30	P1206802F
M6 - GUIB070B40	P1206803F
M7 - GUIB090A30	P1186404F
M8 - GUIB090A50	P1186405F
M9 - GUIB090B30	P1206804F
M10 - GUIB090B50	P1206805F
M11 - GUIB115A40	P1186406F
M12 - GUIB115A50	P1186407F
M13 - GUIB115B50	P1206807F
M14 - GUIB140A50	P1186408F

BLOWER ASSY

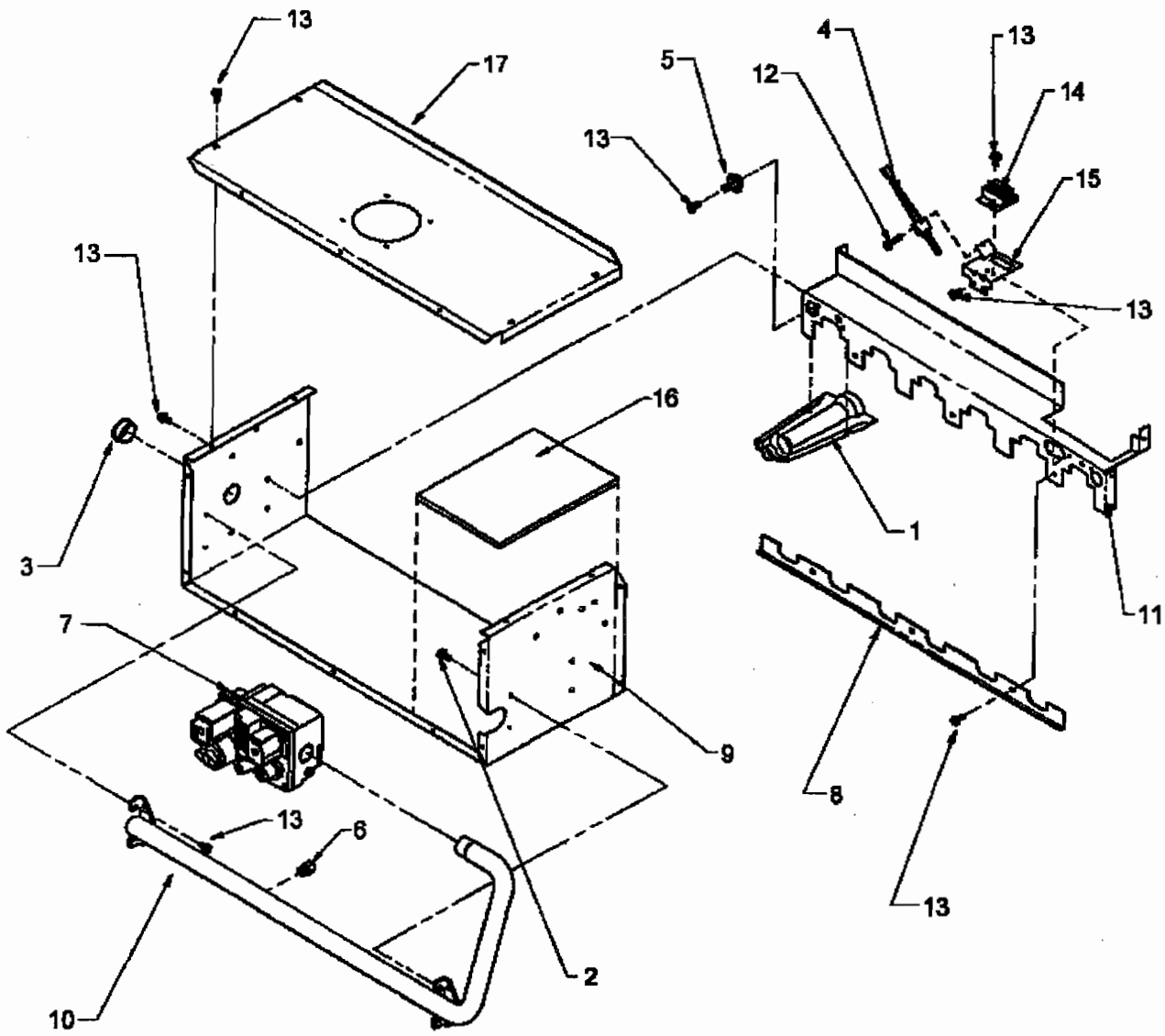


BLOWER ASSY

Ref. Part No: No:	Description:
<i>Image 1</i>	
1	C9443701 BRACKET-MOTOR MOUNT (M12, M13, M14)
1	C9443702 BRACKET-MOTOR MOUNT (M3, M4, M5, M6, M7, M8, M11)
1	C9446702 BRACKET-MOTOR MOUNT (M1, M2, M9, M10)
2	10746201 BRACKET-CONTROL
3	10099901 CAPACITOR (M3, M5)
3	D6859325 CAPACITOR (M1, M2, M4, M6, M11)
3	D6879739 CAPACITOR (M7, M9)
3	D6879740 CAPACITOR (M14)
3	D6879746 CAPACITOR (M8, M10, M12, M13)
4	D6723301 WHEEL-BLOWER (M1, M2, M3, M5)
4	D6723302 WHEEL-BLOWER (M7, M8, M9, M10)
4	D6723303 WHEEL-BLOWER (M12, M13, M14)
4	D6723310 WHEEL-BLOWER (M11)
4	D6723316 WHEEL-BLOWER (M4, M6)
5	10759202 MOTOR-BLOWER 1/2 HP (M4, M6)
5	10759301 MOTOR-BLOWER 1/2 HP (M7, M9)
5	10759302 MOTOR-BLOWER 1/2 HP (M11)
5	10759401 MOTOR-BLOWER 1/2 HP (M8, M10)
5	10759201 MOTOR-BLOWER 1/3 HP (M3, M5)
5	10759203 MOTOR-BLOWER 1/3 HP (M1, M2)
5	10759402 MOTOR-BLOWER 3/4 HP (M12, M13)
5	10759403 MOTOR-BLOWER 3/4 HP (M14)
6	10745602 BLOWER HOUSING WELD-PNT (M1, M2, M3, M5)
6	10745604 BLOWER HOUSING WELD-PNT (M4, M6)
6	10745606 BLOWER HOUSING WELD-PNT (M11)
6	10745608 BLOWER HOUSING WELD-PNT (M7, M8, M9, M10)
6	10745610 BLOWER HOUSING WELD-PNT (M12, M13, M14)
7	M0253516 SCREW-TR
8	M0282015 NUT-KEPS
9	M0221461 SCREW-TC
10	M0274008 WASHER-FLAT
11	M0233716 SCREW-SD
12	A4002702 GROMMET
13	10744901 RAIL-SIDE BLOWER
13	10744902 RAIL-SIDE BLOWER
14	M0211016 SCREW-SM
15	M0211020 SCREW-SM
16	M0267144 SCREW-MACH
17	M0321202 TIE-ELECTRIC
18	A3410501 STRAP-CAPACITOR (M7, M8, M9, M10, M12, M13, M14)
18	A4055402 STRAP-CAPACITOR (M1, M2, M3, M4, M5, M6, M11)
19	M0211016 SCREW-SM
20	C6121802 CUTOFF (M4, M6)
20	C6121803 CUTOFF (M11)
20	C6121806 CUTOFF (M12, M13, M14)
20	C6121810 CUTOFF (M1, M2, M3, M5, M7, M8, M9, M10)

Ref. Part No: No:	Description:
Expanded Model and Color Nomenclature	
M1 - GUIB045A30	P1186401F
M2 - GUIB045B30	P1206801F
M3 - GUIB070A30	P1186402F
M4 - GUIB070A40	P1186403F
M5 - GUIB070B30	P1206802F
M6 - GUIB070B40	P1206803F
M7 - GUIB090A30	P1186404F
M8 - GUIB090A50	P1186405F
M9 - GUIB090B30	P1206804F
M10 - GUIB090B50	P1206805F
M11 - GUIB115A40	P1186406F
M12 - GUIB115A50	P1186407F
M13 - GUIB115B50	P1206807F
M14 - GUIB140A50	P1186408F

MANIFOLD ASSY

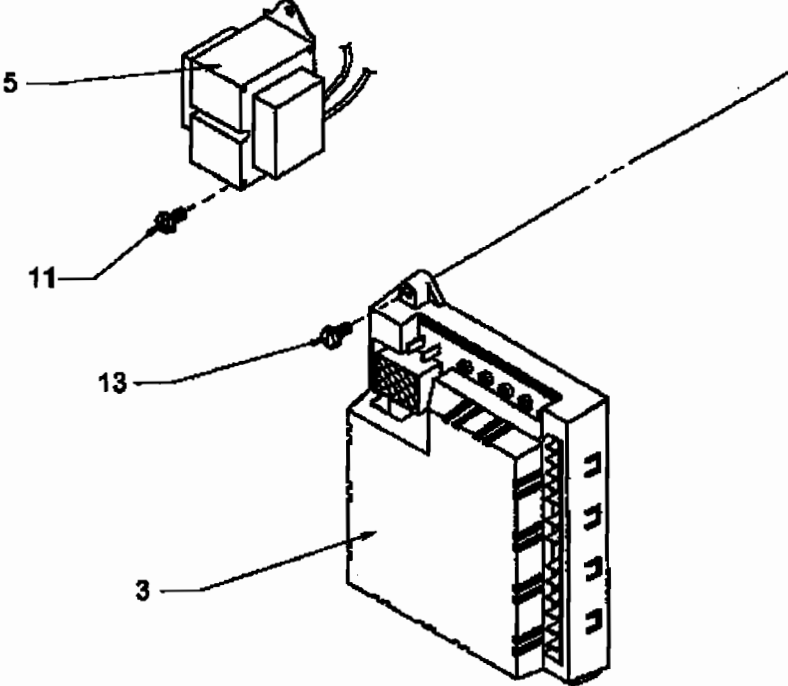
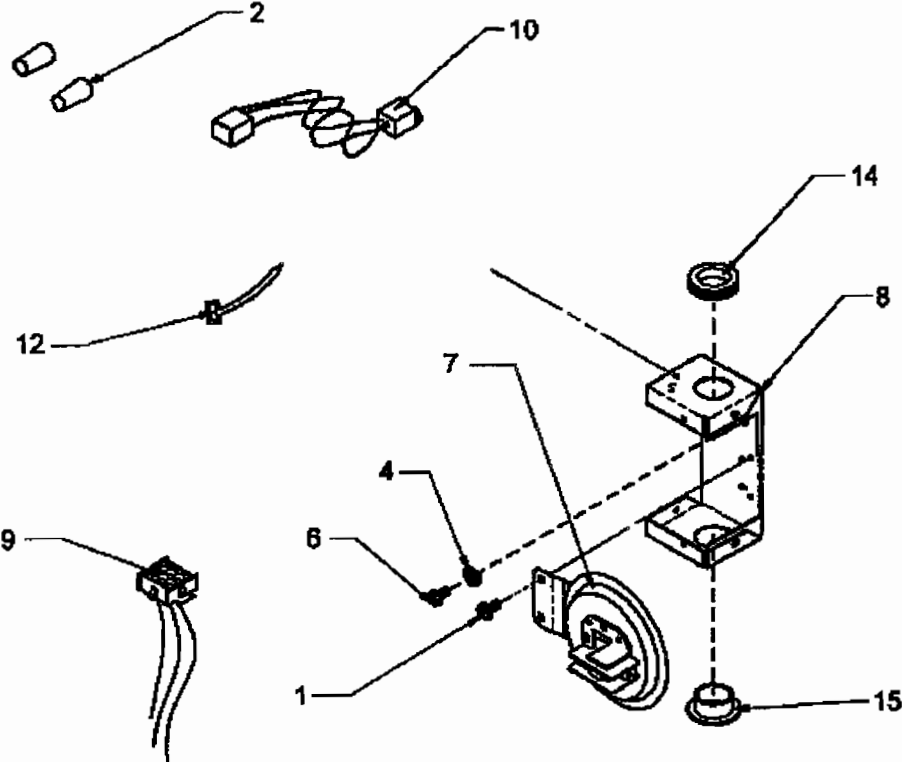


MANIFOLD ASSY

Ref. Part No:	Ref. Part No:	Description:
<i>Image 1</i>		
0	1200101A	PROPANE CONVERSION KIT
1	10735101	BURNER (M11, M12, M13)
1	10735101	BURNER (M7, M8, M9, M10)
1	10735101	BURNER (M3, M4, M5, M6)
1	10735101	BURNER (M1, M2)
1	10735101	BURNER (M14)
2	M0253516	SCREW-TR
3	A4554801	BUSHING-SNAP
4	10735001	IGNITOR
5	10123508	LIMIT-RESET, MANUAL ROLLOUT (M1, M2)
5	10123509	LIMIT-RESET, MANUAL ROLLOUT (M14)
5	10123510	LIMIT-RESET, MANUAL ROLLOUT (M3, M4, M5, M6, M7, M8, M9, M10)
5	10123513	LIMIT-RESET, MANUAL ROLLOUT (M11, M12, M13)
6	10716003	ORIFICE
6	10716009	ORIFICE
7	11002701	VALVE-GAS-WHITE RODGERS
8	10734701	BRACKET-LOCK BURNER (M1, M2)
8	10734702	BRACKET-LOCK BURNER (M3, M4, M5, M6)
8	10734703	BRACKET-LOCK BURNER (M7, M8, M9, M10)
8	10734704	BRACKET-LOCK BURNER (M11, M12, M13)
8	10734705	BRACKET-LOCK BURNER (M14)
9	10734410	BOX-BURNER (M1, M2)
9	10734411	BOX-BURNER (M3, M4, M5, M6)
9	10734412	BOX-BURNER (M7, M8, M9, M10)
9	10734413	BOX-BURNER (M11, M12, M13)
9	10734414	BOX-BURNER (M14)
10	10568801	MANIFOLD (M1, M2)
10	10568802	MANIFOLD (M3, M4, M5, M6)
10	10568803	MANIFOLD (M7, M8, M9, M10)
10	10568804	MANIFOLD (M11, M12, M13)
10	10568805	MANIFOLD (M14)
11	11008101	BRACKET-BURNER (M1, M2)
11	11008102	BRACKET-BURNER (M3, M4, M5, M6)
11	11008103	BRACKET-BURNER (M7, M8, M9, M10)
11	11008104	BRACKET-BURNER (M11, M12, M13)
11	11008105	BRACKET-BURNER (M14)
12	M0216519	SCREW-SM
13	M0216529	SCREW-SM
14	11002801	FLAME-SENSOR
15	11008702	BRACKET-SENSOR
16	11036001	INSULATION
17	10734501	TOP-BOX BURNER (M1, M2)
17	10734502	TOP-BOX BURNER (M3, M4, M5, M6)
17	10734503	TOP-BOX BURNER (M7, M8, M9, M10)
17	10734504	TOP-BOX BURNER (M11, M12, M13)
17	10734505	TOP-BOX BURNER (M14)

Ref. Part No:	Ref. Part No:	Description:
Expanded Model and Color Nomenclature		
M1 - GUIB045A30		P1186401F
M2 - GUIB045B30		P1206801F
M3 - GUIB070A30		P1186402F
M4 - GUIB070A40		P1186403F
M5 - GUIB070B30		P1206802F
M6 - GUIB070B40		P1206803F
M7 - GUIB090A30		P1186404F
M8 - GUIB090A50		P1186405F
M9 - GUIB090B30		P1206804F
M10 - GUIB090B50		P1206805F
M11 - GUIB115A40		P1186406F
M12 - GUIB115A50		P1186407F
M13 - GUIB115B50		P1206807F
M14 - GUIB140A50		P1186408F

CONTROL BOX ASSY



CONTROL BOX ASSY

Ref. Part No:	Description:	Ref. Part No:	Description:
<i>Image 1</i>			
1	M0216716	SCREW-SM	
2	A4617502	NUT-WIRE	
3	11003101	CONTROL-INTEGRATED	
4	M0270001	WASHER-CUP	
5	C6349701	TRANSFORMER	
6	M0227803	SCREW-TC	
7	10727902	SWITCH-PRESSURE (M1, M2)	
7	10727903	SWITCH-PRESSURE (M3, M4, M5, M6)	
7	10727904	SWITCH-PRESSURE (M7, M8, M9, M10)	
7	10727905	SWITCH-PRESSURE (M11, M12, M13)	
7	10727906	SWITCH-PRESSURE (M14)	
8	10736102	BOX-HIGH VOLTAGE	
9	10249408	WIRE ASSEMBLY GY/GN (M1, M3, M4, M7, M8, M11, M12, M14)	
10	11008604	HARNESS-WIRING (M1, M3, M4, M7, M8, M11, M12, M14)	
10	11008605	HARNESS-WIRING (M2, M5, M6, M9, M10, M13)	
11	M0216536	SCREW-SM	
12	M0321202	TIE-ELECTRIC	
13	M0216531	SCREW-SM	
14	A4603801	GROMMET (M1, M3, M4, M7, M8, M11, M12, M14)	
15	A4554801	BUSHING-SNAP (M1, M3, M4, M7, M8, M11, M12, M14)	
15	A4554815	BUSHING-SNAP (M2, M5, M6, M9, M10, M13)	

Expanded Model and Color Nomenclature

M1 - GUIB045A30	P1186401F
M2 - GUIB045B30	P1206801F
M3 - GUIB070A30	P1186402F
M4 - GUIB070A40	P1186403F
M5 - GUIB070B30	P1206802F
M6 - GUIB070B40	P1206803F
M7 - GUIB090A30	P1186404F
M8 - GUIB090A50	P1186405F
M9 - GUIB090B30	P1206804F
M10 - GUIB090B50	P1206805F
M11 - GUIB115A40	P1186406F
M12 - GUIB115A50	P1186407F
M13 - GUIB115B50	P1206807F
M14 - GUIB140A50	P1186408F

