

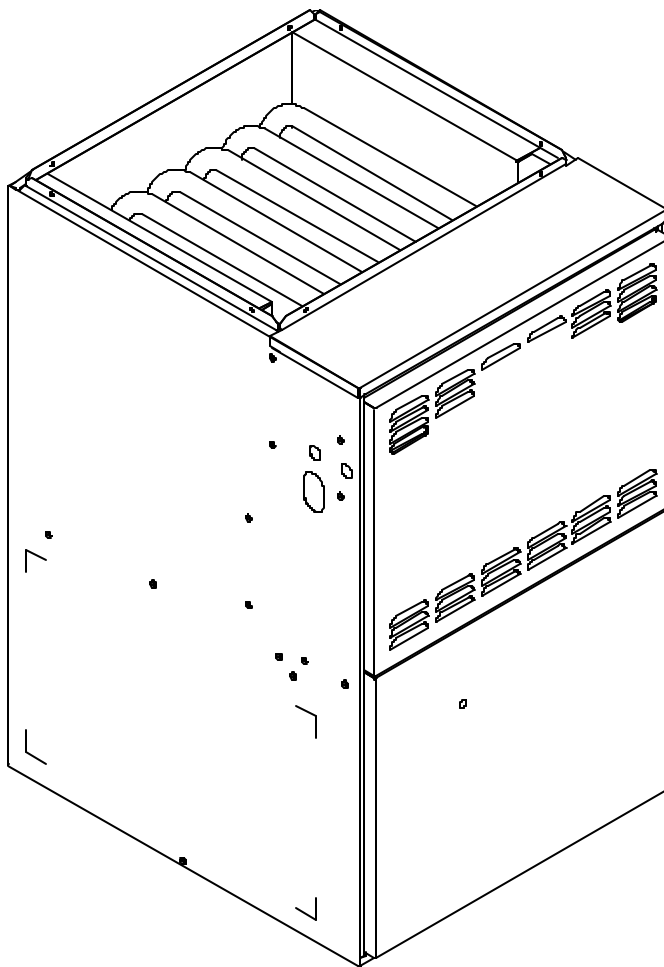
# Service Parts

## GCIA\*A 80% Efficiency Gas Furnace

Models and manufacturing numbers in this manual

GCIA045A30	P1177401F
GCIA070A30	P1177402F
GCIA070A40	P1177403F
GCIA090A30	P1177404F
GCIA090A50	P1177405F
GCIA115A40	P1177406F
GCIA115A50	P1177407F
GCIA140A50	P1177408F

This manual is to be used by qualified appliance technicians only.



Amana is a trademark of Maytag Worldwide N.V. and used under license to Goodman Company, L.P. All rights reserved.

RP6620007  
Revision 2  
March 1996

Copyright © 2003 Goodman Company, L.P.

## Important Information

---

Goodman Company, L.P. is not responsible for personal injury or property damage resulting from improper service. Review all service information before beginning repairs.

Warranty service must be performed by an authorized technician, using authorized factory parts. If service is required after the warranty expires, Goodman Company, L.P. also recommends contacting an authorized technician and using authorized factory parts.

For assistance within the U.S.A. contact:  
Consumer Affairs Department  
Goodman Company, L.P.  
7401 Security Way  
Houston, Texas 77040  
877-254-4729-Telephone  
713-863-2382-Facsimile

For assistance outside the U.S.A. contact:  
International Division  
Goodman Company, L.P.  
7401 Security Way  
Houston, Texas 77040  
713-861-2500-Telephone  
713-863-2382-Facsimile

# Index

Functional Parts List .....	4 - 5
Illustration and Parts .....	6 - 15

*Views shown are for parts illustrations only, not servicing procedures.*

### Text Codes:

AR - As Required

NA - Not Available

NS - Not Shown

00000000 - See Note

QTY - Quantity Example (QTY 3) (If Quantity not shown, Quantity = 1)

M - Model Example (M1) (If M Code not shown, then part is used on all Models)

### Expanded Model Nomenclature:

Example	
M1 - Model#1	P _____
M2 - Model#2	P _____
M3 - Model#3	P _____

# Functional Parts

## Part

## No: Description:

---

11009002	BLOWER-ID
D6879740	CAPACITOR (M5, M7, M8)
D6859325	CAPACITOR (M1, M3, M6)
D6879739	CAPACITOR (M4)
10099902	CAPACITOR (M2)
10207704	CONTROL-INTEG
10735201	FLAME-SENSOR
10776303	HARNESS-WIRING
10735002	IGNITOR
10728313	LIMIT-PRIMARY (M6, M7)
10728312	LIMIT-PRIMARY (M5)
10728318	LIMIT-PRIMARY (M1)
10728319	LIMIT-PRIMARY (M3, M4)
10728320	LIMIT-PRIMARY (M8)
10728306	LIMIT-PRIMARY (M2)
10123512	LIMIT-RESET MAN (M4, M5)
10123511	LIMIT-RESET MAN (M1)
10123509	LIMIT-RESET MAN (M2, M3, M6, M7, M8)
10123506	LIMIT-RESET MAN
10759205	MOTOR-BLOW 1/2 HP (M3)
10759301	MOTOR-BLOW 1/2 HP (M4)
10759203	MOTOR-BLOW 1/3 HP (M1)
10759204	MOTOR-BLOW 1/3 HP (M2)
10759405	MOTOR-BLOW 3/4 HP (M7, M8)
10759304	MOTOR-BLOW 3/4 HP (M5, M6)
10690401	SWITCH-INTERLOCK
10727908	SWITCH-PRESSURE (M4, M5)
10727907	SWITCH-PRESSURE (M6, M7)
10727904	SWITCH-PRESSURE (M1)
10727905	SWITCH-PRESSURE (M2, M3, M8)
C6349701	TRANSFORMER
10671101	VALVE-GAS
D6723301	WHEEL-BLOWER (M1, M2)
D6723316	WHEEL-BLOWER (M3)
D6723302	WHEEL-BLOWER (M4, M5)
D6723310	WHEEL-BLOWER (M6)
D6723303	WHEEL-BLOWER (M7, M8)

# Functional Parts

**Part**

**No: Description:**

---

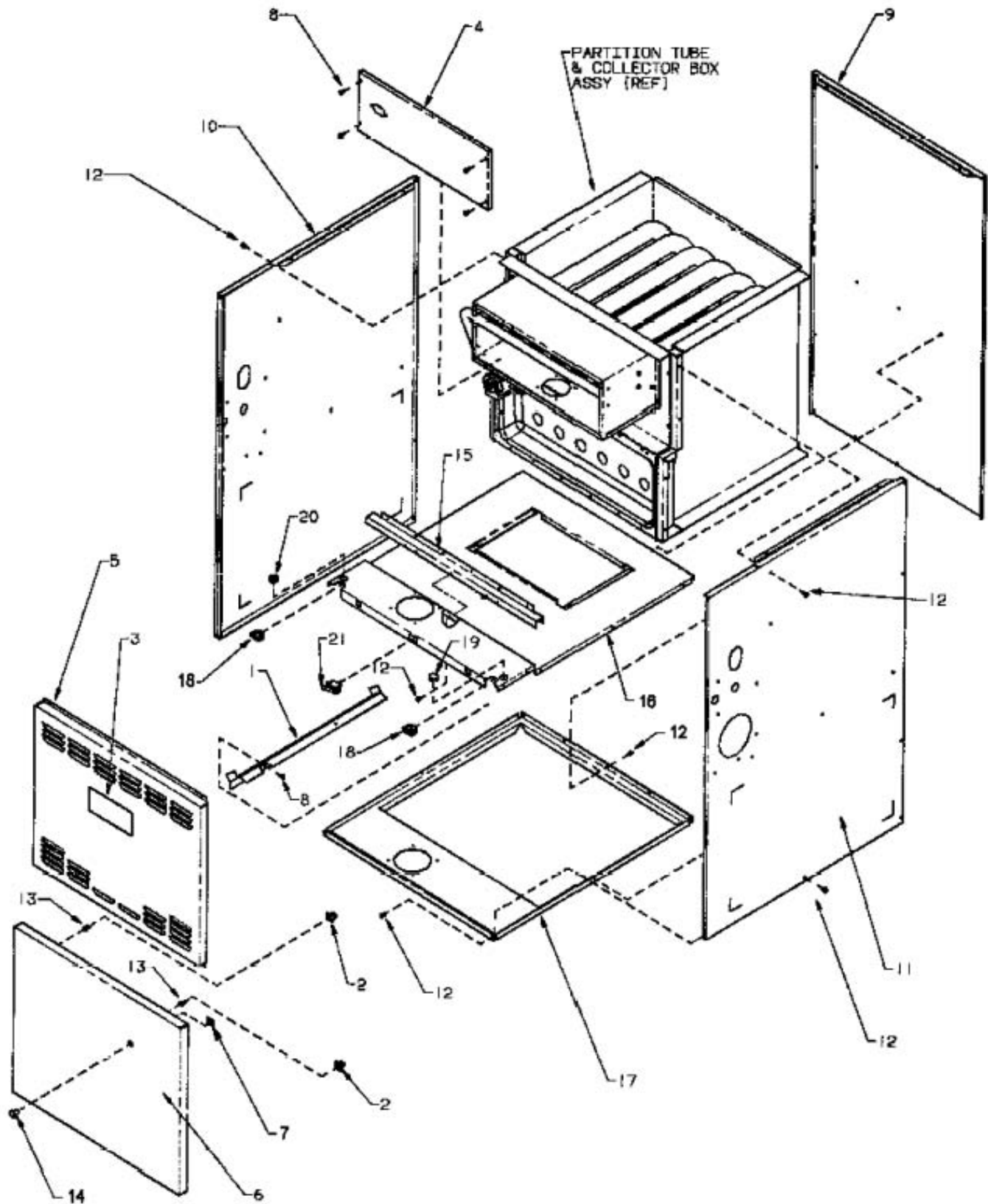
## SPECIAL PARTS

10759802	INSTR-INSTAL
10772901	INSTR-INSTAL
RP6620007	MANUAL PARTS
RS6620002	MANUAL SERVICE
10759602S	MANUAL-USERS
10759701S	MANUAL-VENTING

## Expanded Model Nomenclature

M1 - GCIA045A30	P1177401F
M2 - GCIA070A30	P1177402F
M3 - GCIA070A40	P1177403F
M4 - GCIA090A30	P1177404F
M5 - GCIA090A50	P1177405F
M6 - GCIA115A40	P1177406F
M7 - GCIA115A50	P1177407F
M8 - GCIA140A50	P1177408F

# Cabinet Assy



# Cabinet Assy

Ref. Part No:	Part No:	Description:	Ref. Part No:	Part No:	Description:
---------------	----------	--------------	---------------	----------	--------------

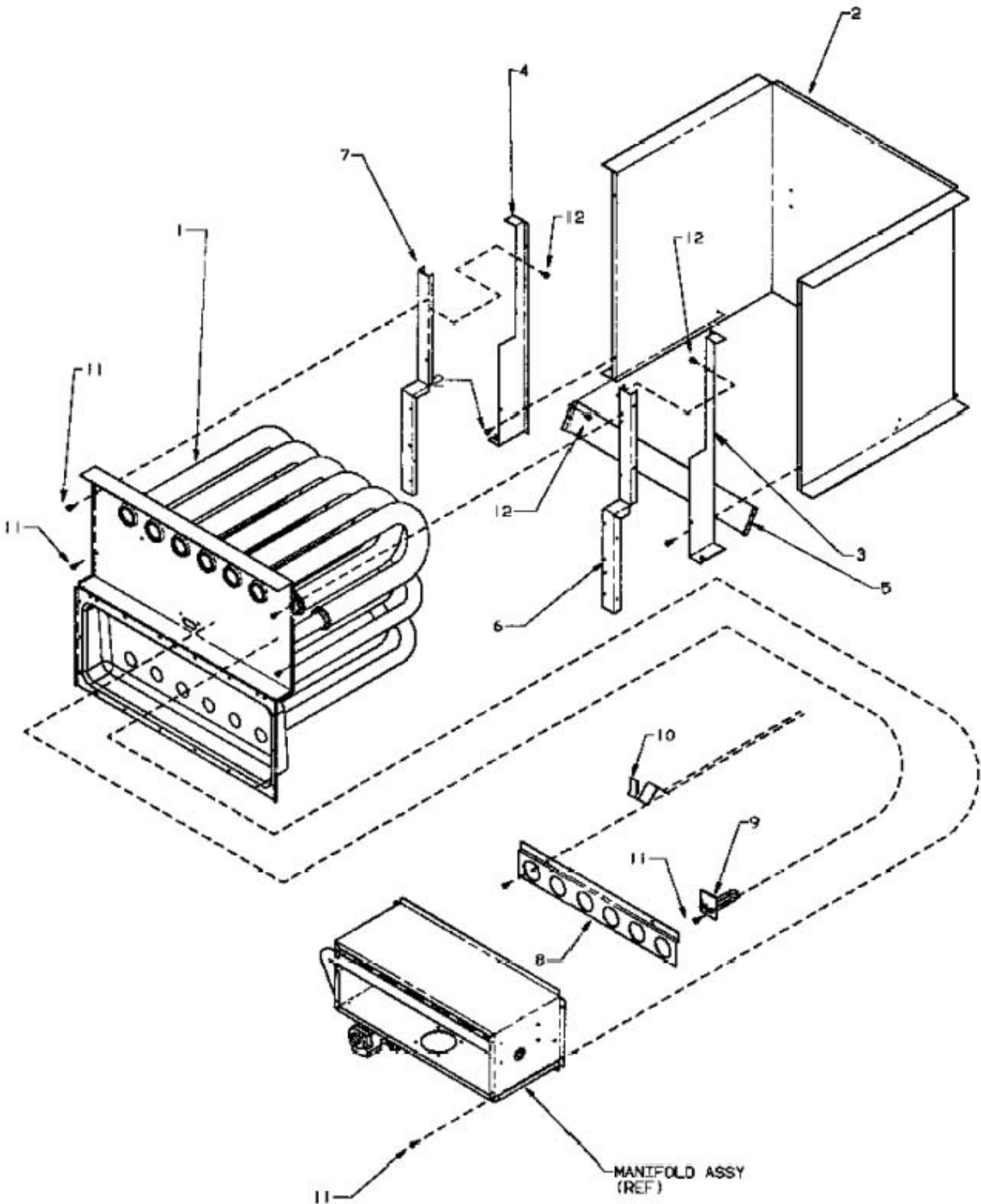
Image 1:

1	10368501	RAIL-FILTER
2	10690001	DOOR CATCH ASSY (QTY 2)
3	11034901	NAMEPLATE-AMANA
4	10734601	BOX-FRONT BNR (M1)
4	10734602	BOX-FRONT BNR (M2, M3)
4	10734603	BOX-FRONT BNR (M4, M5)
4	10734604	BOX-FRONT BNR (M6, M7)
4	10734605	BOX-FRONT BNR (M8)
5	10727802	ACCESS DOOR-PNT (M1, M2, M3)
5	10727804	ACCESS DOOR-PNT (M4, M5)
5	10727806	ACCESS DOOR-PNT (M6, M7, M8)
6	10727714	BLOWER-DOOR-PNT (M1, M2, M3)
6	10727716	BLOWER-DOOR-PNT (M4, M5)
6	10727718	BLOWER-DOOR-PNT (M6, M7, M8)
7	M0119903	NUT-SPEED
8	M0216529	SCREW-SM (QTY 8)
9	10727420	BACK PANEL-PNT (M1, M2, M3)
9	10727422	BACK PANEL-PNT (M4, M5)
9	10727424	BACK PANEL-PNT (M6, M7, M8)
10	10727116	L SIDE PANEL-PNT
11	10727016	R SIDE PANEL-PNT
12	M0219916	SCREW-SM (QTY AR)
13	10690101	STRIKE-DOOR (QTY 2)
14	10466101	PLUG-LIGHT
15	10728404	SUPPORT-PART PAN (M1, M2, M3)
15	10728405	SUPPORT-PART PAN (M4, M5)
15	10728406	SUPPORT-PART PAN (M6, M7, M8)
16	11024501	DECK-PIERCED BLWR (M3)
16	11024502	DECK-PIERCED BLWR (M4, M5)
16	11024503	DECK-PIERCED BLWR (M6)
16	11024504	DECK-PIERCED BLWR (M1, M2)
16	11024505	DECK-PIERCED BLWR (M7, M8)
17	11024619	BASEPAN-C'FLOW (M1, M2, M3)
17	11024621	BASEPAN-C'FLOW (M4, M5)
17	11024623	BASEPAN-C'FLOW (M6, M7, M8)
17	11024620	BASEPAN-PNT (M1, M2, M3)
17	11024622	BASEPAN-PNT (M4, M5)
17	11024624	BASEPAN-PNT (M6, M7, M8)
18	A4568804	GROMMET-D (QTY AR)
19	M0310308	PLUG-WHITE BUTTON
20	M0571001	BUSHING-SNAP
21	10690401	SWITCH-INTERLOCK

## Expanded Model Nomenclature

M1 - GCIA045A30	P1177401F
M2 - GCIA070A30	P1177402F
M3 - GCIA070A40	P1177403F
M4 - GCIA090A30	P1177404F
M5 - GCIA090A50	P1177405F
M6 - GCIA115A40	P1177406F
M7 - GCIA115A50	P1177407F
M8 - GCIA140A50	P1177408F

# Partition Tube Assy & Collector Box



# Partition Tube Assy & Collector Box

Ref. Part No:	Ref. Part No:	Description:	Description:
---------------	---------------	--------------	--------------

Image 1:

1	10763506	PART/TUBE ASSY (M1)
1	10763507	PART/TUBE ASSY (M2, M3)
1	10763508	PART/TUBE ASSY (M4, M5)
1	10763509	PART/TUBE ASSY (M6, M7)
1	10763510	PART/TUBE ASSY (M8)
2	10728707	LINER-CABINET (M1)
2	10728708	LINER-CABINET (M2, M3)
2	10728709	LINER-CABINET (M4, M5)
2	10728710	LINER-CABINET (M6, M7)
2	10728711	LINER-CABINET (M8)
3	10728602	BRKT-LINER
4	10728601	BRKT-LINER
5	11008801	BAFFLE-DECK (M2, M3)
5	11008802	BAFFLE-DECK (M4)
5	11008803	BAFFLE-DECK (M6, M7)
6	10728503	RAIL-PART PANEL
7	10728504	RAIL-PART PANEL
8	10734901	SHIELD-ORIFICE (M1)
8	10734902	SHIELD-ORIFICE (M2, M3)
8	10734903	SHIELD-ORIFICE (M4, M5)
8	10734904	SHIELD-ORIFICE (M6, M7)
8	10734905	SHIELD-ORIFICE (M8)
9	10728306	LIMIT-PRIMARY (M2)
9	10728312	LIMIT-PRIMARY (M5)
9	10728313	LIMIT-PRIMARY (M6, M7)
9	10728318	LIMIT-PRIMARY (M1)
9	10728319	LIMIT-PRIMARY (M3, M4)
9	10728320	LIMIT-PRIMARY (M8)
10	10624002	INSERT-MESH TUBE (QTY AR)
11	M0219916	SCREW-SM (QTY AR)
12	M0253516	SCREW-TR (QTY 4)

## Expanded Model Nomenclature

M1 - GCIA045A30	P1177401F
M2 - GCIA070A30	P1177402F
M3 - GCIA070A40	P1177403F
M4 - GCIA090A30	P1177404F
M5 - GCIA090A50	P1177405F
M6 - GCIA115A40	P1177406F
M7 - GCIA115A50	P1177407F
M8 - GCIA140A50	P1177408F



# Vent System & Controls

Ref. Part No:	Part No:	Description:	Ref. Part No:	Part No:	Description:
---------------	----------	--------------	---------------	----------	--------------

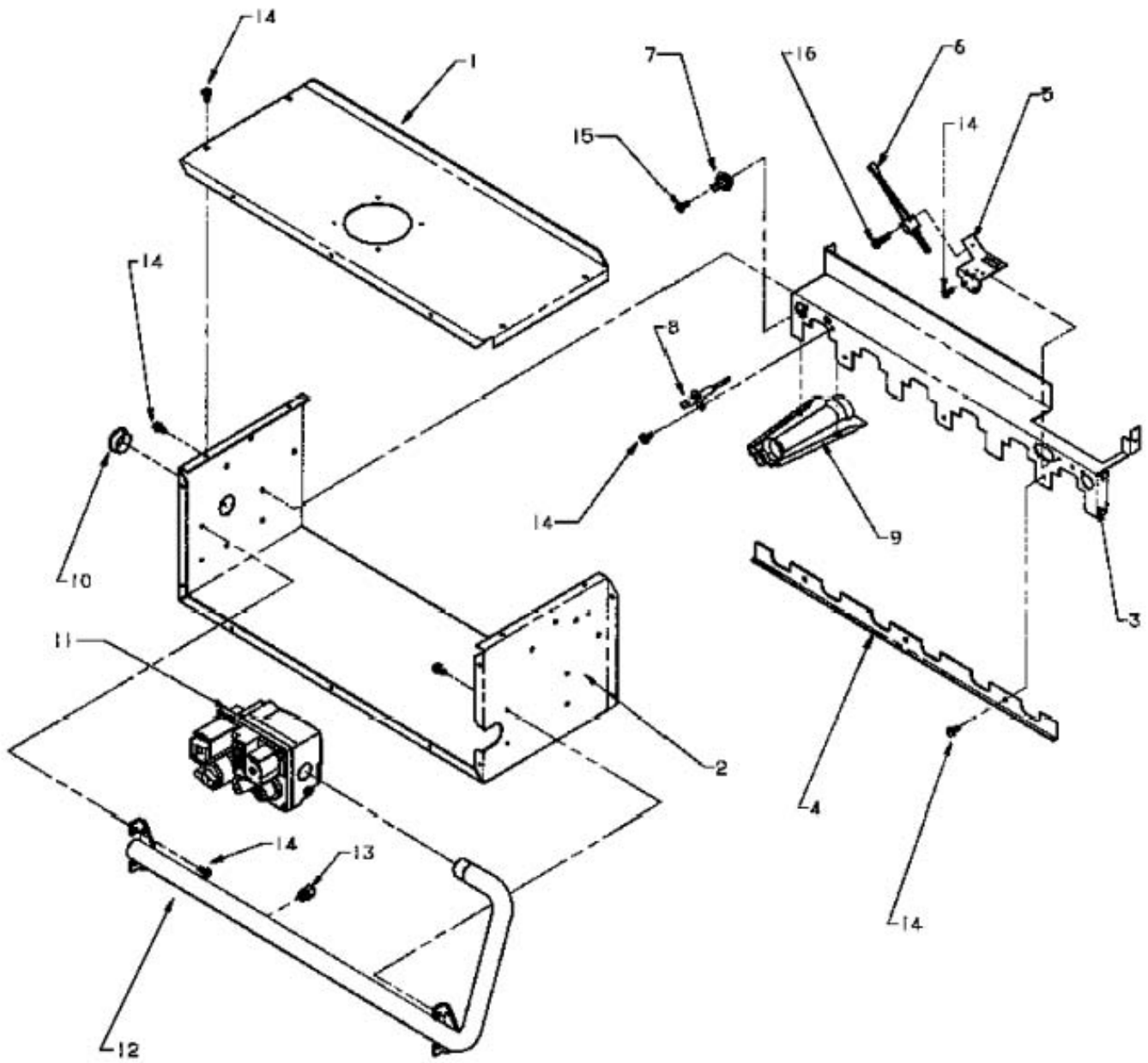
Image 1:

1	10779126	TOP COVER-PNT (M1, M2, M3)
1	10779128	TOP COVER-PNT (M4, M5)
1	10779130	TOP COVER-PNT (M6, M7, M8)
2	M0219916	SCREW-SM (QTY AR)
3	10736102	BOX-HIGH VOLTAGE
4	A4002702	GROMMET (QTY 3)
5	A4554801	BUSHING-SNAP
6	M0216716	SCREW-SM (QTY 12)
7	M0227803	SCREW-TC (QTY 2)
8	M0270001	WASHER-CUP
9	10736201	COVER-HV BOX
10	C6349701	TRANSFORMER
11	M0216536	SCREW-SM (QTY 2)
12	M0211018	SCREW-SM #8-5/8LG (QTY AR)
13	11034702	VENT TUBE BRKT-PNT (M1, M2, M3, M4, M5, M6, M7)
13	11034704	VENT TUBE BRKT-PNT (M8)
14	11022002	TUBE-VENT
15	B9268909	PIPE-FLUE
16	M0233716	SCREW-SD
17	M0216531	SCREW-SM (QTY 2)
18	11009703	TOP-TRAN PLATE
19	10764601	GASKET-ROTATE PLT
20	11009401	TRANSITION-ID BLWR
21	11009002	BLOWER-ID
22	B1410304	HOSE-PRESSURE SW (COIL COVER)
23	11076501	GASKET-COLLECT BOX (M1, M2, M3)
23	11076502	GASKET-COLLECT BOX (M4, M5)
23	11076503	GASKET-COLLECT BOX (M6, M7, M8)
24	10764309	PLATE-ROTATING (M4, M5, M6, M7, M8)
24	10764310	PLATE-ROTATING (M1)
24	10764311	PLATE-ROTATING (M2, M3)
25	10764404	PLATE-PARTITION (M1, M2, M3)
25	10764405	PLATE-PARTITION (M4, M5)
25	10764406	PLATE-PARTITION (M6, M7, M8)
26	10123506	LIMIT-RESET MAN
27	10861101	BRKT-AUX LIMIT

## Expanded Model Nomenclature

M1 - GCIA045A30	P1177401F
M2 - GCIA070A30	P1177402F
M3 - GCIA070A40	P1177403F
M4 - GCIA090A30	P1177404F
M5 - GCIA090A50	P1177405F
M6 - GCIA115A40	P1177406F
M7 - GCIA115A50	P1177407F
M8 - GCIA140A50	P1177408F

# Manifold Assy



# Manifold Assy

Ref. Part No:	Part No:	Description:	Ref. Part No:	Part No:	Description:
---------------	----------	--------------	---------------	----------	--------------

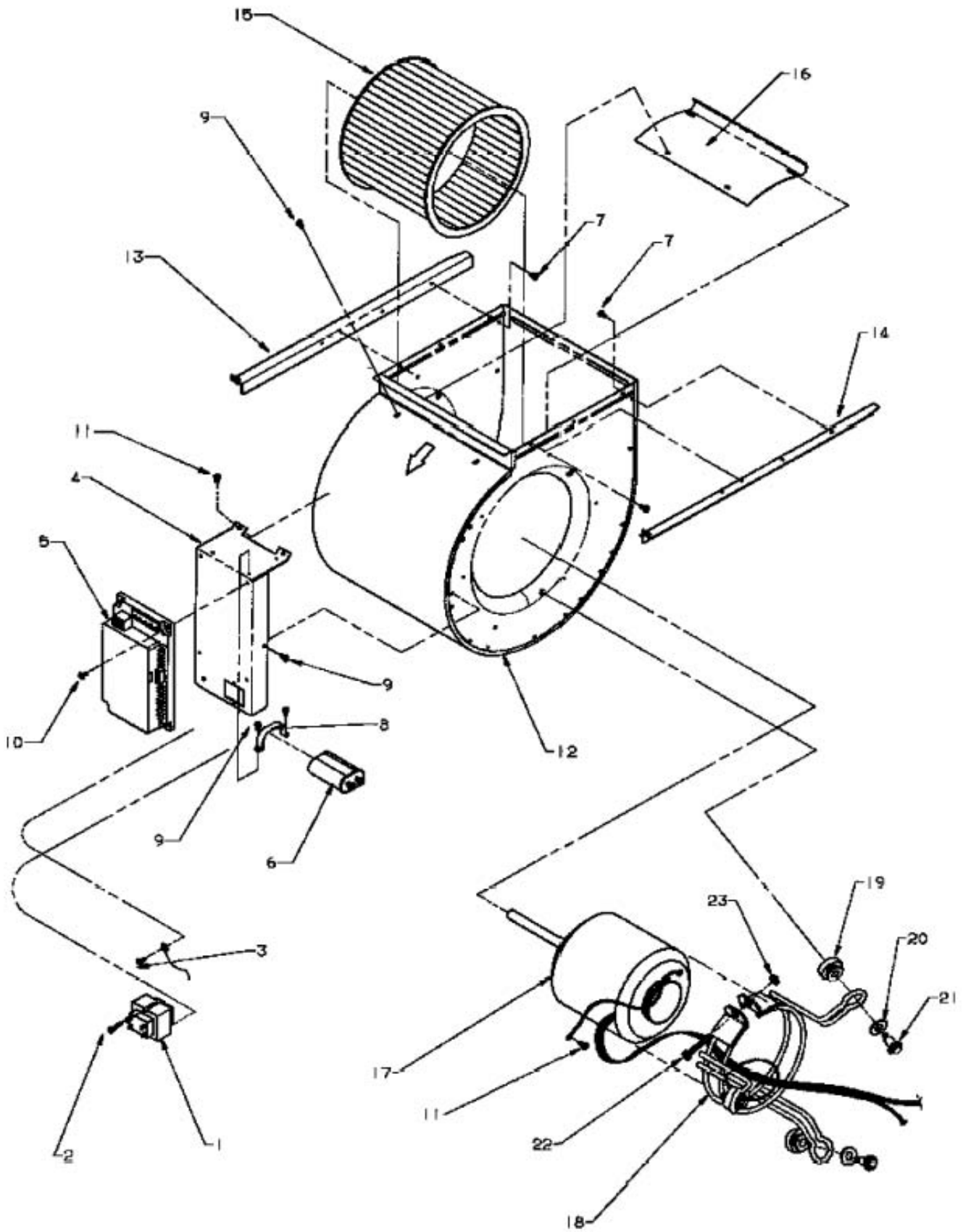
Image 1:

1	10734501	TOP-BOX BURNER (M1)
1	10734502	TOP-BOX BURNER (M2, M3)
1	10734503	TOP-BOX BURNER (M4, M5)
1	10734504	TOP-BOX BURNER (M6, M7)
1	10734505	TOP-BOX BURNER (M8)
2	10734410	BOX-BURNER (M1)
2	10734411	BOX-BURNER (M2, M3)
2	10734412	BOX-BURNER (M4, M5)
2	10734413	BOX-BURNER (M6, M7)
2	10734414	BOX-BURNER (M8)
3	11008101	BRKT-BURNER (M1)
3	11008102	BRKT-BURNER (M2, M3)
3	11008103	BRKT-BURNER (M4, M5)
3	11008104	BRKT-BURNER (M6, M7)
3	11008105	BRKT-BURNER (M8)
4	10734701	BRKT-LOCK BURNER (M1)
4	10734702	BRKT-LOCK BURNER (M2, M3)
4	10734703	BRKT-LOCK BURNER (M4, M5)
4	10734704	BRKT-LOCK BURNER (M6, M7)
4	10734705	BRKT-LOCK BURNER (M8)
5	11008703	BRKT-SENSOR
6	10735002	IGNITOR
7	10123509	LIMIT-RESET MAN (M2, M3, M6, M7, M8)
7	10123511	LIMIT-RESET MAN (M1)
7	10123512	LIMIT-RESET MAN (M4, M5)
8	10735201	FLAME-SENSOR
9	10735101	BURNER (QTY AR)
10	A4554801	BUSHING-SNAP (QTY AR)
11	10671101	VALVE-GAS
12	10568801	MANIFOLD (M1)
12	10568802	MANIFOLD (M2, M3)
12	10568803	MANIFOLD (M4, M5)
12	10568804	MANIFOLD (M6, M7)
13	10716003	ORIFICE (QTY AR)
14	M0216529	SCREW-SM (QTY AR)
15	M0253516	SCREW-TR (QTY 6)
16	M0216519	SCREW-SM
60	10568805	MANIFOLD (M8)

## Expanded Model Nomenclature

M1 - GCIA045A30	P1177401F
M2 - GCIA070A30	P1177402F
M3 - GCIA070A40	P1177403F
M4 - GCIA090A30	P1177404F
M5 - GCIA090A50	P1177405F
M6 - GCIA115A40	P1177406F
M7 - GCIA115A50	P1177407F
M8 - GCIA140A50	P1177408F

# Blower Assy & Integrated Control



# Blower Assy & Integrated Control

**Ref. Part**

**No: No:**

**Description:**

**Ref. Part**

**No: No:**

**Description:**

*Image 1:*

1	C6349701	TRANSFORMER
2	M0216536	SCREW-SM (QTY 2)
3	M0227803	SCREW-TC (QTY 2)
4	10746201	BRKT-CONTROL
5	10207704	CONTROL-INTEG
6	10099902	CAPACITOR (M2)
6	D6859325	CAPACITOR (M1, M3, M6)
6	D6879739	CAPACITOR (M4)
6	D6879740	CAPACITOR (M5, M7, M8)
7	M0253516	SCREW-TR (QTY 2)
8	A3410501	STRAP-CAPACITOR (M4, M5, M7, M8)
8	A4055402	STRAP-CAPACITOR (M1, M2, M3, M6)
9	M0211016	SCREW-SM (QTY 5)
10	M0216531	SCREW-SM (QTY 2)
11	M0233716	SCREW-SD (QTY 3)
12	10745602	BLOWER HSG WELD-PNT (M1, M2)
12	10745604	BLOWER HSG WELD-PNT (M3)
12	10745606	BLOWER HSG WELD-PNT (M6)
12	10745608	BLOWER HSG WELD-PNT (M4, M5)
12	10745610	BLOWER HSG WELD-PNT (M7, M8)
13	10744901	RAIL-SIDE BLOWER
14	10744902	RAIL-SIDE BLOWER
15	D6723301	WHEEL-BLOWER (M1, M2)
15	D6723302	WHEEL-BLOWER (M4, M5)
15	D6723303	WHEEL-BLOWER (M7, M8)
15	D6723310	WHEEL-BLOWER (M6)
15	D6723316	WHEEL-BLOWER (M3)
16	C6121802	CUTOFF (M3)
16	C6121803	CUTOFF (M6)
16	C6121806	CUTOFF (M7, M8)
16	C6121810	CUTOFF (M1, M2, M4, M5)
17	10759205	MOTOR-BLOW 1/2 HP (M3)
17	10759301	MOTOR-BLOW 1/2 HP (M4)
17	10759203	MOTOR-BLOW 1/3 HP (M1)
17	10759204	MOTOR-BLOW 1/3 HP (M2)
17	10759304	MOTOR-BLOW 3/4 HP (M5, M6)
17	10759405	MOTOR-BLOW 3/4 HP (M7, M8)
18	C9443701	BRKT-MOTOR MT (M7, M8)
18	C9443702	BRKT-MOTOR MT (M1, M2, M3, M4, M5, M6)
19	A4002702	GROMMET (QTY 3)
20	M0274008	WASHER-FLAT (QTY 3)
21	M0221461	SCREW-TC (QTY 3)
22	M0267144	SCREW-MACH
23	M0282015	NUT-KEPS

**Expanded Model Nomenclature**

M1 - GCIA045A30	P1177401F
M2 - GCIA070A30	P1177402F
M3 - GCIA070A40	P1177403F
M4 - GCIA090A30	P1177404F
M5 - GCIA090A50	P1177405F
M6 - GCIA115A40	P1177406F
M7 - GCIA115A50	P1177407F
M8 - GCIA140A50	P1177408F