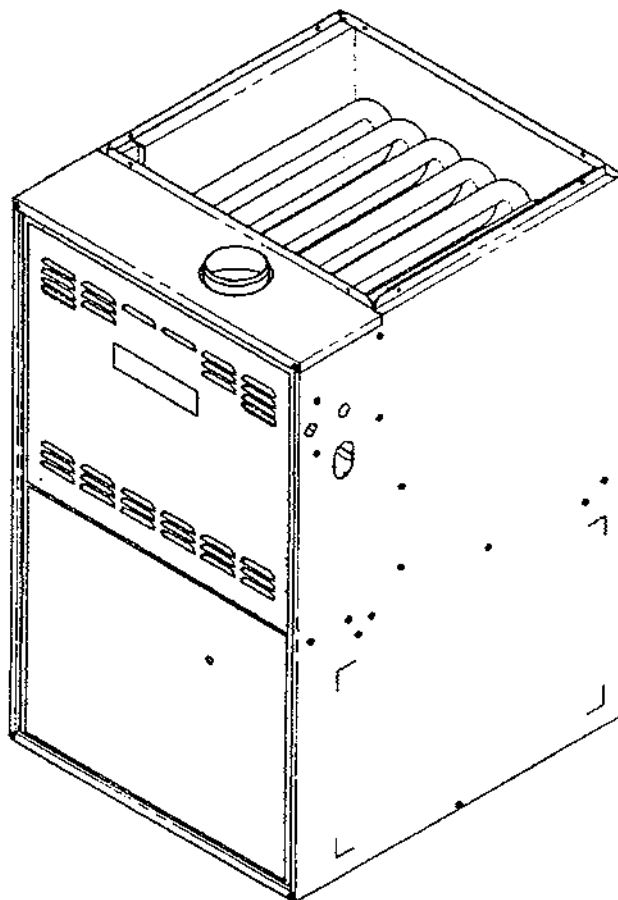


# Parts

## GUI Gas Furnace

Parts Manual for  
Amana®



This manual is to be used by qualified appliance technicians only. Amana Refrigeration Inc. does not assume any responsibility for property damage or personal injury for improper service procedures done by an unqualified person.

**Amana**  
A Raytheon Company

Models and manufacturing numbers in this manual

GUIA045A30	P1177301F
GUIA045B30	P1206601F
GUIA070A30	P1177302F
GUIA070A40	P1177303F
GUIA070B30	P1206602F
GUIA070B40	P1206603F
GUIA090A30	P1177304F
GUIA090A50	P1177305F
GUIA090B30	P1206604F
GUIA090B50	P1206605F
GUIA115A40	P1177306F
GUIA115A50	P1177307F
GUIA115B40	P1206606F
GUIA115B50	P1206607F
GUIA140A50	P1177308F
GUIA140B50	P1206608F

RP6620005

July 1995

*Rev 1*

## Important Information

Pride and workmanship go into every product to provide our customers with quality products. It is possible, however, that during its lifetime a product may require service. Products should be serviced only by a qualified service technician who is familiar with the safety procedures required in the repair and who is equipped with the proper tools, parts, testing instruments and the appropriate service manual.

REVIEW ALL SERVICE INFORMATION IN THE APPROPRIATE SERVICE MANUAL BEFORE BEGINNING REPAIRS.

## Important Notices



IF REPAIRS ARE ATTEMPTED BY UNQUALIFIED PERSONS, DANGEROUS CONDITIONS (SUCH AS EXPOSURE TO ELECTRICAL SHOCK) MAY RESULT. THIS MAY CAUSE SERIOUS INJURY OR DEATH.



AMANA WILL NOT BE RESPONSIBLE FOR ANY INJURY OR PROPERTY DAMAGE ARISING FROM IMPROPER SERVICE OR SERVICE PROCEDURES. IF YOU PERFORM SERVICE ON YOUR OWN PRODUCT, YOU ASSUME RESPONSIBILITY FOR ANY PERSONAL INJURY OR PROPERTY DAMAGE WHICH MAY RESULT.

To locate an authorized servicer, please consult your telephone book or the dealer from whom you purchased this product. For further assistance, please contact:

CONSUMER AFFAIRS DEPT. AMANA REFRIGERATION, INC. AMANA, IOWA 52204	OR CALL	1-319-622-5511 and ask for Consumer Affairs
---	------------	---

If outside the United States contact:

AMANA REFRIGERATION, INC.  
ATTN: INTERNATIONAL DIVISION  
AMANA, IOWA 52204, USA  
Telephone: (319) 622-5511  
Facsimile: (319) 622-2180

## RECOGNIZE SAFETY SYMBOLS, WORDS AND LABELS



**DANGER -** Immediate hazards which WILL result in severe personal injury or death.



**WARNING -** Hazards or unsafe practices which COULD result in severe personal injury or death.



**CAUTION -** Hazards or unsafe practices which COULD result in minor personal injury or product or property damage.

# Index

FUNCTIONAL PARTS LIST .....	5
ILLUSTRATION AND PARTS .....	6 - 13

Added The Following New Models And Manufacturing Numbers: GUIA045B30, P1206601F; GUIA070B30, P1206602F; GUIA070B40, P1206603F; GUIA090B30, P1206604F; GUIA090B50, P1206605F; GUIA115B40, P1206606F; GUIA115B50, P1206607F; GUIA140B50, P1206608F; Updated Part Numbers Throughout Manual; Changed Manual Part Number: RP6620005, Revision 1 Was RA662005A, Revision 0.

98 - As Required

99 - Not Shown

QTY - Quantity Example (QTY 3)

M - Model Example (M1)

## Expanded Model and Color Nomenclature

M1 - GUIA045A30	P1177301F
M2 - GUIA070A30	P1177302F
M3 - GUIA070A40	P1177303F
M4 - GUIA090A30	P1177304F
M5 - GUIA090A50	P1177305F
M6 - GUIA115A40	P1177306F
M7 - GUIA115A50	P1177307F
M8 - GUIA140A50	P1177308F
M9 - GUIA045B30	P1206601F
M10 - GUIA070B30	P1206602F
M11 - GUIA070B40	P1206603F
M12 - GUIA090B30	P1206604F
M13 - GUIA090B50	P1206605F
M14 - GUIA115B40	P1206606F
M15 - GUIA115B50	P1206607F
M16 - GUIA140B50	P1206608F

# Functional Parts

## Part

Number: Description:

11009002	BLOWER-INDUCED DRAFT
D6859325	CAPACITOR (M1, M3, M6, M9, M11, M14)
10099901	CAPACITOR (M2, M10)
D6879739	CAPACITOR (M4, M12)
D6879746	CAPACITOR (M5, M7, M13, M15)
D6879740	CAPACITOR (M8, M16)
10207704	CONTROL-INTEGRATED
10735201	FLAME-SENSOR
10735001	IGNITOR
10123506	LIMIT-AUXILLARY DECK
10728316	LIMIT-PRIMARY (M2, M10)
10728301	LIMIT-PRIMARY (M3, M11)
10728305	LIMIT-PRIMARY (M4, M7, M12, M15)
10728307	LIMIT-PRIMARY (M5, M13)
10728317	LIMIT-PRIMARY (M6, M8, M14, M16)
10123508	LIMIT-RESET MANUAL (M1, M9)
10123510	LIMIT-RESET MANUAL (M2, M3, M4, M5, M10, M11, M12, M13)
10123513	LIMIT-RESET MANUAL (M6, M7, M14, M15)
10123509	LIMIT-RESET MANUAL (M8, M16)
10759203	MOTOR-BLOWER (M1, M9)
10759201	MOTOR-BLOWER (M2, M10)
10759202	MOTOR-BLOWER (M3, M11)
10759301	MOTOR-BLOWER (M4, M12)
10759401	MOTOR-BLOWER (M5, M13)
10759302	MOTOR-BLOWER (M6, M14)
10759402	MOTOR-BLOWER (M7, M15)
10759403	MOTOR-BLOWER (M8, M16)
10716003	ORIFICE-NATURAL
10716003	ORIFICE-PROPANE → 10716003
10690401	SWITCH-INTERLOCK
10727902	SWITCH-PRESSURE (M1, M9)
10727903	SWITCH-PRESSURE (M2, M3, M10, M11)
10727904	SWITCH-PRESSURE (M4, M5, M12, M13)
10727905	SWITCH-PRESSURE (M6, M7, M14, M15)
10727906	SWITCH-PRESSURE (M8, M16)
C6349701	TRANSFORMER
C6476904	VALVE-GAS

## Functional Parts

Part

Number: Description:

---

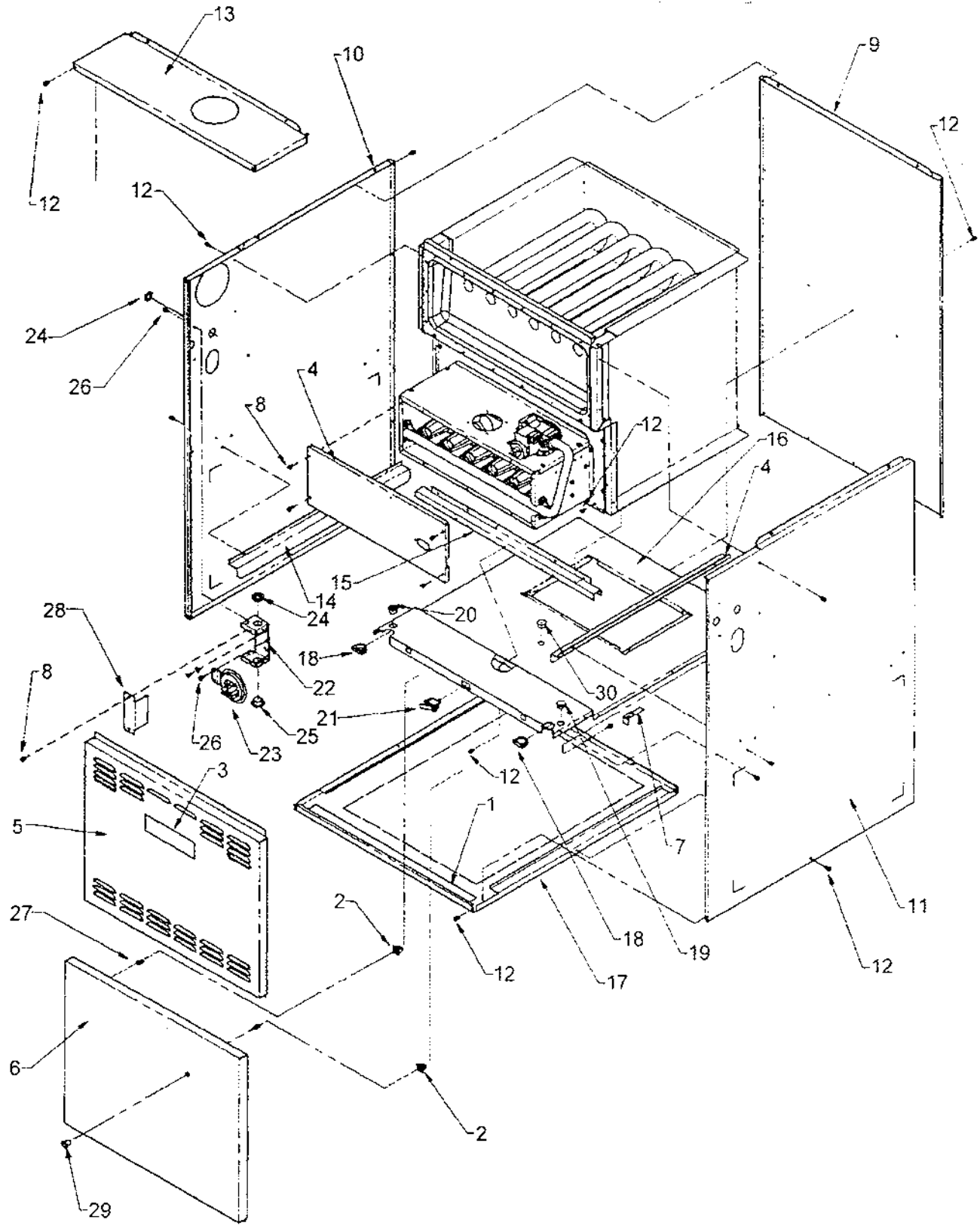
### SPECIAL PARTS

10772901	INSTRUCTION-INSTALLATION
10759809	INSTRUCTION-INSTALLATION
10759601	MANUAL-USERS
10759701	MANUAL-VENTING

### Expanded Model and Color Nomenclature

M1 - GUIA045A30	P1177301F
M2 - GUIA070A30	P1177302F
M3 - GUIA070A40	P1177303F
M4 - GUIA090A30	P1177304F
M5 - GUIA090A50	P1177305F
M6 - GUIA115A40	P1177306F
M7 - GUIA115A50	P1177307F
M8 - GUIA140A50	P1177308F
M9 - GUIA045B30	P1206601F
M10 - GUIA070B30	P1206602F
M11 - GUIA070B40	P1206603F
M12 - GUIA090B30	P1206604F
M13 - GUIA090B50	P1206605F
M14 - GUIA115B40	P1206606F
M15 - GUIA115B50	P1206607F
M16 - GUIA140B50	P1206608F

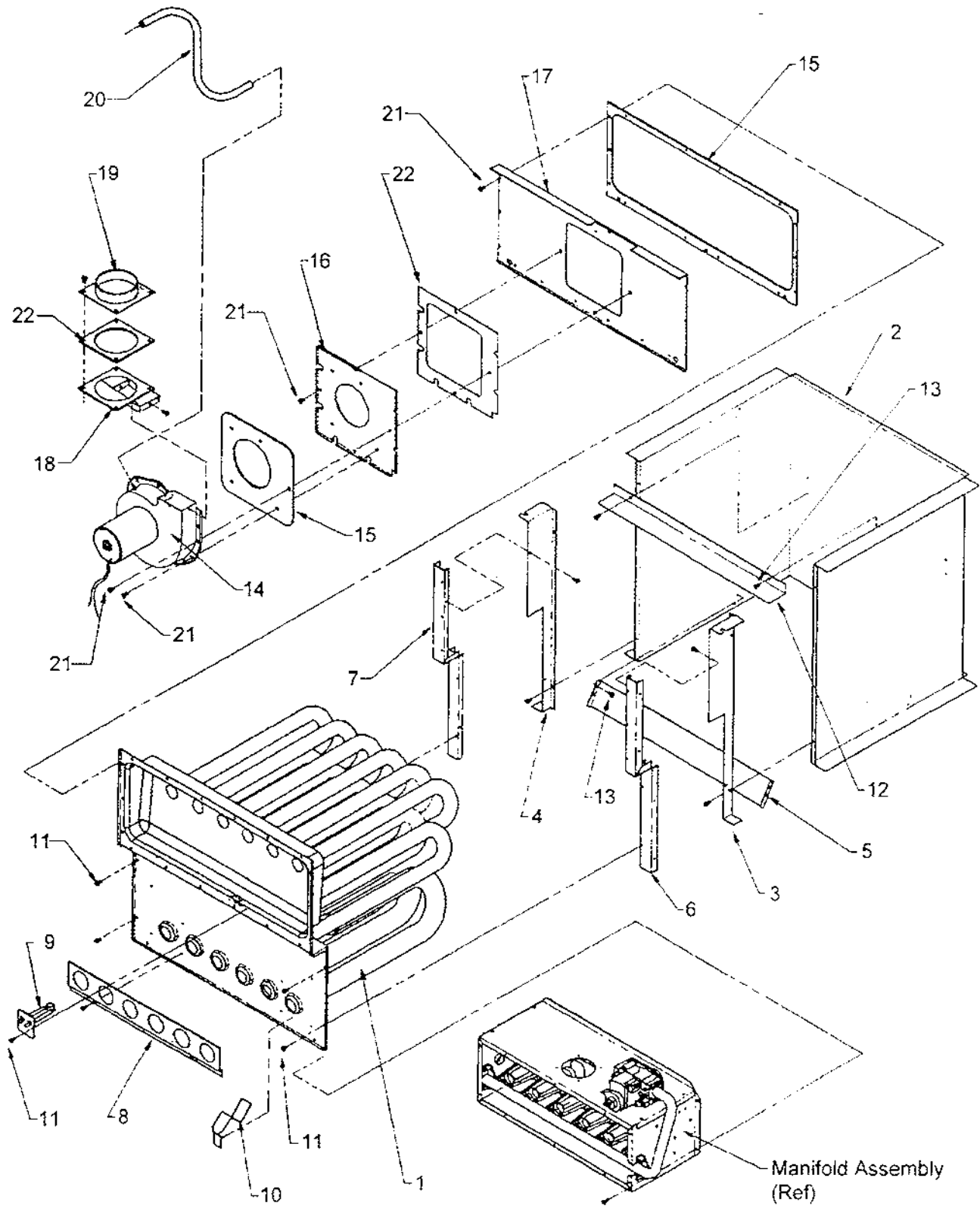
# Cabinet Assembly



# Cabinet Assembly

Ref. Part No:	Part No:	Description:	Ref. Part No:	Part No:	Description:
1	A9020401	RETAINER-FILTER (M1, M2, M3, M9, M10, M11)	23	10727904	SWITCH-PRESSURE (M4, M5, M12, M13)
1	A9020402	RETAINER-FILTER (M4, M5, M12, M13)	23	10727905	SWITCH-PRESSURE (M6, M7, M14, M15)
1	A9020403	RETAINER-FILTER (M6, M7, M8, M14, M15, M16)	23	10727906	SWITCH-PRESSURE (M8, M16)
2	10690001	DOOR CATCH ASSY	24	M0571002	BUSHING-SNAP (QTY 2)
3	11034901	NAMEPLATE-AMANA	25	A4554801	BUSHING-SNAP
4	10734601	BOX-FRONT BURNER (M1, M9)	26	M0216716	SCREW-SM (QTY 98)
4	10734602	BOX-FRONT BURNER (M2, M3, M10, M11)	27	10690101	STRIKE-DOOR (QTY 2)
4	10734603	BOX-FRONT BURNER (M4, M5, M12, M13)	28	10736201	COVER-HIGH VOLTAGE BOX
4	10734604	BOX-FRONT BURNER (M6, M7, M14, M15)	29	11104001	SNAP-BUSHING CLEAR. LAMP
4	10734605	BOX-FRONT BURNER (M8, M16)	30	10123506	LIMIT-AUXILLARY DECK
5	10727802	ACCESS DOOR-PNT (M1, M2, M3, M9, M10, M11)	Expanded Model and Color Nomenclature		
5	10727804	ACCESS DOOR-PNT (M4, M5, M12, M13)			
5	10727806	ACCESS DOOR-PNT (M6, M7, M8, M14, M15, M16)	M1 - GUIA045A30	P1177301F	
6	10727714	BLOWER-DOOR-PNT (M1, M2, M3, M9, M10, M11)	M2 - GUIA070A30	P1177302F	
6	10727716	BLOWER-DOOR-PNT (M4, M5, M12, M13)	M3 - GUIA070A40	P1177303F	
6	10727718	BLOWER-DOOR-PNT (M6, M7, M8, M14, M15, M16)	M4 - GUIA090A30	P1177304F	
7	10861101	BRACKET-AUXILLARY DECK LIMIT	M5 - GUIA090A50	P1177305F	
8	M0216529	SCREW-SM (QTY 98)	M6 - GUIA115A40	P1177306F	
9	10727414	BACK PANEL-PNT (M1, M2, M3, M9, M10, M11)	M7 - GUIA115A50	P1177307F	
9	10727416	BACK PANEL-PNT (M4, M5, M12, M13)	M8 - GUIA140A50	P1177308F	
9	10727418	BACK PANEL-PNT (M6, M7, M8, M14, M15, M16)	M9 - GUIA045B30	P1206601F	
10	10727114	L SIDE PANEL-PNT	M10 - GUIA070B30	P1206602F	
11	10727014	R SIDE PANEL-PNT	M11 - GUIA070B40	P1206603F	
12	M0219916	SCREW-SM (QTY 98)	M12 - GUIA090B30	P1206604F	
13	10779120	TOP COVER-PNT (M1, M2, M3, M9, M10, M11)	M13 - GUIA090B50	P1206605F	
13	10779122	TOP COVER-PNT (M4, M5, M12, M13)	M14 - GUIA115B40	P1206606F	
13	10779124	TOP COVER-PNT (M6, M7, M8, M14, M15, M16)	M15 - GUIA115B50	P1206607F	
14	10690301	ANGLE-FILTER (QTY 2)	M16 - GUIA140B50	P1206608F	
15	10728401	SUPPORT-PARTITION PANEL (M1, M2, M3, M9, M10, M11)	<i>Wiring Lead 11135201</i>		
15	10728402	SUPPORT-PARTITION PANEL (M4, M5, M12, M13)			
15	10728403	SUPPORT-PARTITION PANEL (M6, M7, M8, M14, M15, M16)			
16	11034801	DECK-BLOWER (M3, M11)			
16	11034802	DECK-BLOWER (M4, M5, M12, M13)			
16	11034803	DECK-BLOWER (M6, M14)			
16	11034805	DECK-BLOWER (M7, M8, M15, M16)			
16	11034804	DECK-BLOWER (M1, M2, M9, M10)			
17	10727508	BASEPAN-PNT (M1, M2, M3, M9, M10, M11)			
17	10727510	BASEPAN-PNT (M4, M5, M12, M13)			
17	10727512	BASEPAN-PNT (M6, M7, M8, M14, M15, M16)			
18	A4568804	GROMMET-D (QTY 2)			
19	M0310308	PLUG-WHITE BUTTON			
20	M0571001	BUSHING-SNAP			
21	10690401	SWITCH-INTERLOCK			
22	10736102	BOX-HIGH VOLTAGE			
23	10727902	SWITCH-PRESSURE (M1, M9)			
23	10727903	SWITCH-PRESSURE (M2, M3, M10, M11)			

# Partition Tube Assembly & Collector Box

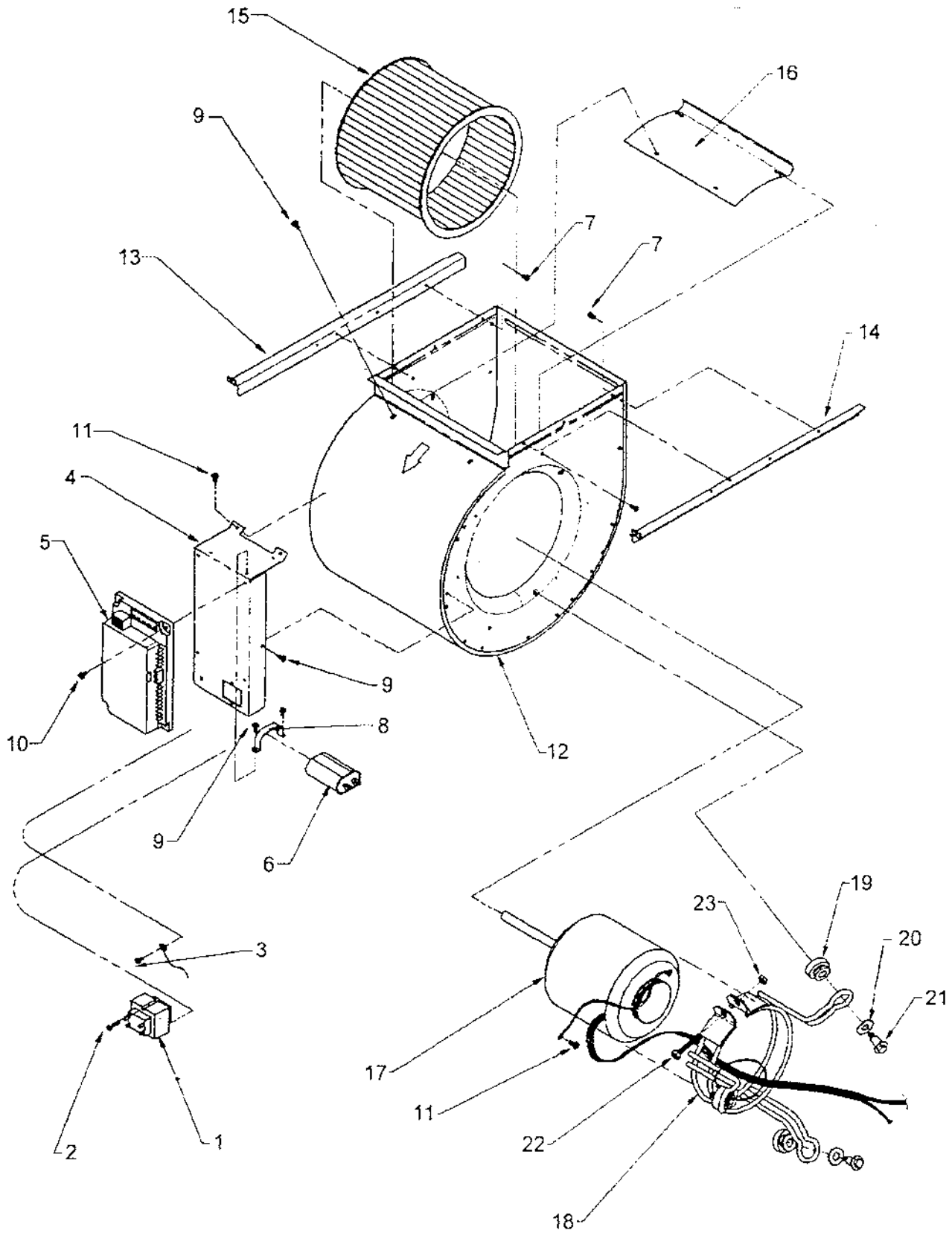


Manifold Assembly  
(Ref)

# Partition Tube Assembly & Collector Box

Ref. Part No:	Part No:	Description:	Ref. Part No:	Part No:	Description:
1	10763501	PARTITION-TUBE ASSEMBLY (M1, M9)	22	10764601	GASKET-ROTATING PLATE
1	10763502	PARTITION-TUBE ASSEMBLY (M2, M3, M10, M11)	Expanded Model and Color Nomenclature		
1	10763503	PARTITION-TUBE ASSEMBLY (M4, M5, M12, M13)	M1 - GUIA045A30		P1177301F
1	10763504	PARTITION-TUBE ASSEMBLY (M6, M7, M14, M15)	M2 - GUIA070A30		P1177302F
1	10763505	PARTITION-TUBE ASSEMBLY (M8, M16)	M3 - GUIA070A40		P1177303F
2	10728707	LINER-CABINET (M1, M9)	M4 - GUIA090A30		P1177304F
2	10728708	LINER-CABINET (M2, M3, M10, M11)	M5 - GUIA090A50		P1177305F
2	10728709	LINER-CABINET (M4, M5, M12, M13)	M6 - GUIA115A40		P1177306F
2	10728710	LINER-CABINET (M6, M7, M14, M15)	M7 - GUIA115A50		P1177307F
2	10728711	LINER-CABINET (M8, M16)	M8 - GUIA140A50		P1177308F
3	10728601	BRACKET-LINER MOUNTING	M9 - GUIA045B30		P1206601F
4	10728602	BRACKET-LINER MOUNTING	M10 - GUIA070B30		P1206602F
5	11008801	BAFFLE-DECK (M3, M11)	M11 - GUIA070B40		P1206603F
5	11008802	BAFFLE-DECK (M4, M12)	M12 - GUIA090B30		P1206604F
6	10728503	RAIL-PARTITION PANEL	M13 - GUIA090B50		P1206605F
7	10728504	RAIL-PARTITION PANEL	M14 - GUIA115B40		P1206606F
8	10734901	SHIELD-ORIFICE (M1, M9)	M15 - GUIA115B50		P1206607F
8	10734902	SHIELD-ORIFICE (M2, M3, M10, M11)	M16 - GUIA140B50		P1206608F
8	10734903	SHIELD-ORIFICE (M4, M5, M12, M13)			
8	10734904	SHIELD-ORIFICE (M6, M7, M14, M15)			
8	10734905	SHIELD-ORIFICE (M8, M16)			
9	10728315	LIMIT-PRIMARY (M1, M9)			
9	10728316	LIMIT-PRIMARY (M2, M10)			
9	10728301	LIMIT-PRIMARY (M3, M11)			
9	10728305	LIMIT-PRIMARY (M4, M7, M12, M15)			
9	10728307	LIMIT-PRIMARY (M5, M13)			
9	10728317	LIMIT-PRIMARY (M6, M8, M14, M16)			
10	10624002	INSERT-MESH TUBE (M1, M2, M3, M4, M5, M6, M7, M8) (QTY 98)			
11	M0219916	SCREW-SM (QTY 98)			
12	11008306	BAFFLE-LINER (M1, M9)			
12	11008302	BAFFLE-LINER (M2, M3, M10, M11)			
12	11008303	BAFFLE-LINER (M4, M5, M12, M13)			
12	11008304	BAFFLE-LINER (M6, M7, M14, M15)			
12	11008305	BAFFLE-LINER (M8, M16)			
13	M0253516	SCREW-TR (QTY 98)			
14	11009002	BLOWER-INDUCED DRAFT			
15	11076501	GASKET-COLLECT BOX (M1, M2, M3, M9, M10, M11)			
15	11076502	GASKET-COLLECT BOX (M4, M5, M12, M13)			
15	11076503	GASKET-COLLECT BOX (M6, M7, M8, M14, M15, M16)			
16	10764306	PLATE-ROTATING (M1, M9)			
16	10764307	PLATE-ROTATING (M2, M3, M10, M11)			
16	10764308	PLATE-ROTATING (M4, M5, M12, M13)			
16	10764304	PLATE-ROTATING (M6, M7, M14, M15)			
16	10764309	PLATE-ROTATING (M8, M16)			
17	10764404	PLATE-PARTITION (M1, M2, M3, M9, M10, M11)			
17	10764405	PLATE-PARTITION (M4, M5, M12, M13)			
17	10764406	PLATE-PARTITION (M6, M7, M8, M14, M15, M16)			
18	11009401	TRANSITION-INDUCED DRAFT BLOWER			
19	11009701	TOP-TRANSITION PLATE			
20	B1410304	HOSE-PRESSURE SWITCH			
21	M0211018	SCREW-SM (QTY 98)			

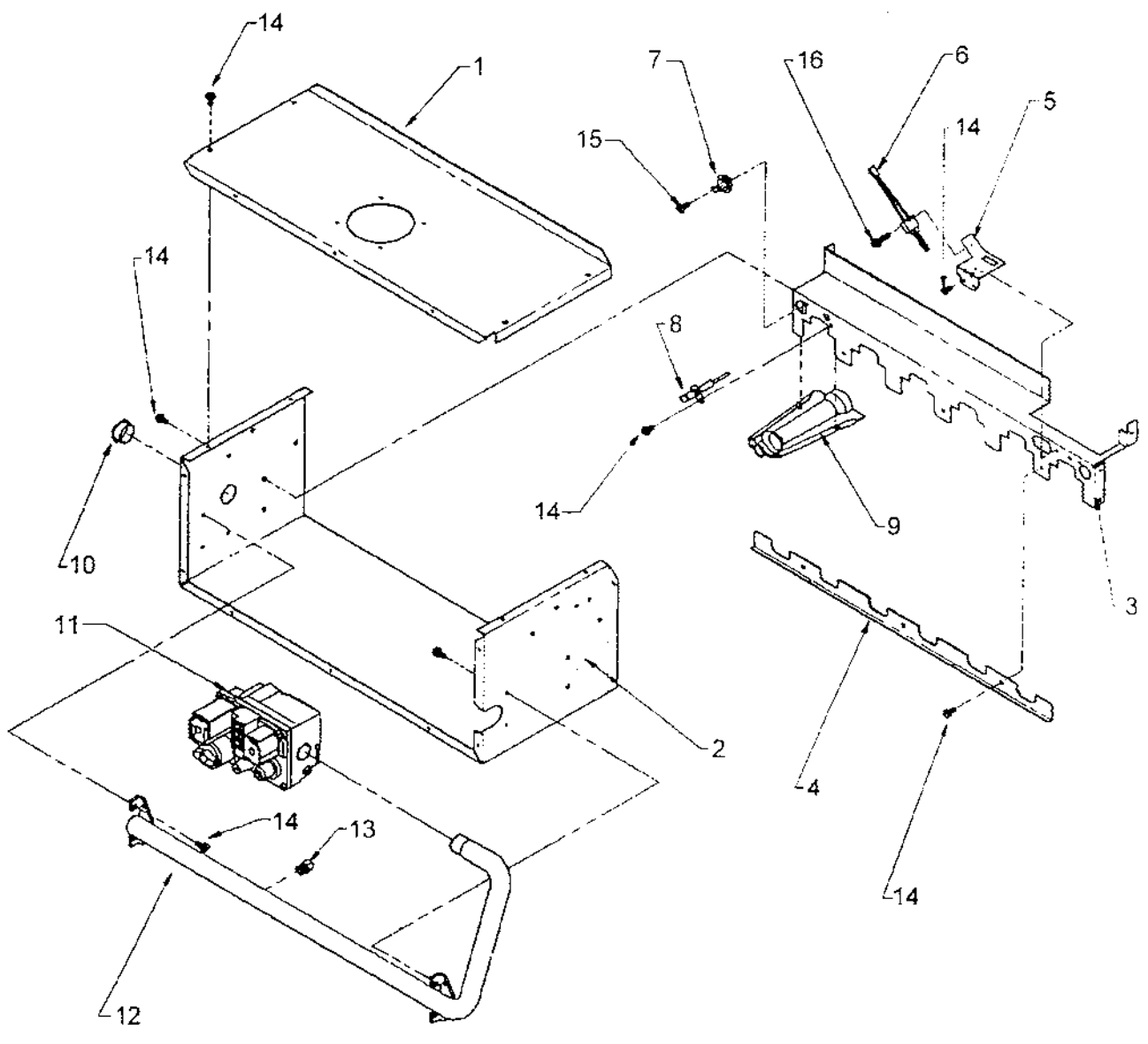
# Blower Assembly & Integrated Control



# Blower Assembly & Integrated Control

Ref. Part No:	Part No:	Description:	Ref. Part No:	Part No:	Description:
1	C6349701	TRANSFORMER	Expanded Model and Color Nomenclature		
2	M0216536	SCREW-SM (QTY 2)	M1 - GUIA045A30		P1177301F
3	M0227803	SCREW-TC	M2 - GUIA070A30		P1177302F
4	10746201	BRACKET-CONTROL	M3 - GUIA070A40		P1177303F
5	10207704	CONTROL-INTEGRATED	M4 - GUIA090A30		P1177304F
6	D6859325	CAPACITOR (M1, M3, M6, M9, M11, M14)	M5 - GUIA090A50		P1177305F
6	10099901	CAPACITOR (M2, M10)	M6 - GUIA115A40		P1177306F
6	D6879739	CAPACITOR (M4, M12)	M7 - GUIA115A50		P1177307F
6	D6879746	CAPACITOR (M5, M7, M13, M15)	M8 - GUIA140A50		P1177308F
6	D6879740	CAPACITOR (M8, M16)	M9 - GUIA045B30		P1206601F
7	M0253516	SCREW-TR (QTY 98)	M10 - GUIA070B30		P1206602F
8	A4055402	STRAP-CAPACITOR (M1, M2, M3, M6, M9, M10, M11, M14)	M11 - GUIA070B40		P1206603F
8	A3410501	STRAP-CAPACITOR (M4, M7, M8, M12, M15, M16)	M12 - GUIA090B30		P1206604F
9	M0211016	SCREW-SM (QTY 98)	M13 - GUIA090B50		P1206605F
10	M0216531	SCREW-SM (QTY 98)	M14 - GUIA115B40		P1206606F
11	M0233716	SCREW-SM (QTY 98)	M15 - GUIA115B50		P1206607F
12	10745602	BLOWER HOUSING WELD-PNT (M1, M2, M9, M10)	M16 - GUIA140B50		P1206608F
12	10745604	BLOWER HOUSING WELD-PNT (M3, M11)			
12	10745608	BLOWER HOUSING WELD-PNT (M4, M5, M12, M13)			
12	10745606	BLOWER HOUSING WELD-PNT (M6, M14)			
12	10745610	BLOWER HOUSING WELD-PNT (M7, M8, M15, M16)			
13	10744902	RAIL-SIDE BLOWER			
14	10744901	RAIL-SIDE BLOWER			
15	D6723301	WHEEL-BLOWER (M1, M2, M9, M10)			
15	D6723316	WHEEL-BLOWER (M3, M11)			
15	D6723302	WHEEL-BLOWER (M4, M5, M12, M13)			
15	D6723310	WHEEL-BLOWER (M6, M14)			
15	D6723303	WHEEL-BLOWER (M7, M8, M15, M16)			
16	C6121810	CUTOFF (M1, M2, M4, M5, M9, M10, M13, M14)			
16	C6121802	CUTOFF (M3, M11)			
16	C6121803	CUTOFF (M6, M14)			
16	C6121806	CUTOFF (M7, M8, M15, M16)			
17	10759203	MOTOR-BLOWER (M1, M9)			
17	10759201	MOTOR-BLOWER (M2, M10)			
17	10759202	MOTOR-BLOWER (M3, M11)			
17	10759301	MOTOR-BLOWER (M4, M12)			
17	10759401	MOTOR-BLOWER (M5, M13)			
17	10759302	MOTOR-BLOWER (M6, M14)			
17	10759402	MOTOR-BLOWER (M7, M15)			
17	10759403	MOTOR-BLOWER (M8, M16)			
18	C9446702	BRACKET-MOTOR MOUNT (M1, M2, M9, M10)			
18	C9443702	BRACKET-MOTOR MOUNT (M3, M4, M5, M6, M11, M12, M13, M14)			
18	C9443701	BRACKET-MOTOR MOUNT (M7, M8, M15, M16)			
19	A4002702	GROMMET (QTY 3)			
20	M0274008	WASHER-FLAT (QTY 3)			
21	M0221461	SCREW-TC (QTY 3)			
22	M0267144	SCREW-MACHINE			
23	M0282015	NUT-KEPS			

# Manifold Assembly



# Manifold Assembly

Ref. Part No:	Part No:	Description:	Ref. Part No:	Part No:	Description:
1	10734501	TOP-BOX BURNER (M1, M9)	Expanded Model and Color Nomenclature		
1	10734502	TOP-BOX BURNER (M2, M3, M10, M11)	M1 - GUIA045A30	P1177301F	
1	10734503	TOP-BOX BURNER (M4, M5, M11, M12)	M2 - GUIA070A30	P1177302F	
1	10734504	TOP-BOX BURNER (M6, M7, M14, M15)	M3 - GUIA070A40	P1177303F	
1	10734505	TOP-BOX BURNER (M8, M16)	M4 - GUIA090A30	P1177304F	
2	10734410	BOX-BURNER (M1, M9)	M5 - GUIA090A50	P1177305F	
2	10734411	BOX-BURNER (M2, M3, M10, M11)	M6 - GUIA115A40	P1177306F	
2	10734412	BOX-BURNER (M4, M5, M12, M13)	M7 - GUIA115A50	P1177307F	
2	10734413	BOX-BURNER (M6, M7, M14, M15)	M8 - GUIA140A50	P1177308F	
2	10734414	BOX-BURNER (M8, M16)	M9 - GUIA045B30	P1206601F	
3	11008101	BRACKET-BURNER (M1, M9)	M10 - GUIA070B30	P1206602F	
3	11008102	BRACKET-BURNER (M2, M3, M10, M11)	M11 - GUIA070B40	P1206603F	
3	11008103	BRACKET-BURNER (M4, M5, M12, M13)	M12 - GUIA090B30	P1206604F	
3	11008104	BRACKET-BURNER (M6, M7, M14, M15)	M13 - GUIA090B50	P1206605F	
3	11008105	BRACKET-BURNER (M8, M16)	M14 - GUIA115B40	P1206606F	
4	10734701	BRACKET-LOCK BURNER (M1, M9)	M15 - GUIA115B50	P1206607F	
4	10734702	BRACKET-LOCK BURNER (M2, M3, M10, M11)	M16 - GUIA140B50	P1206608F	
4	10734703	BRACKET-LOCK BURNER (M4, M5, M12, M13)			
4	10734704	BRACKET-LOCK BURNER (M6, M7, M14, M15)			
4	10734705	BRACKET-LOCK BURNER (M8, M16)			
5	11008702	BRACKET-SENSOR			
6	10735001	IGNITOR			
7	10123508	LIMIT-RESET MANUAL (M1, M9)			
7	10123510	LIMIT-RESET MANUAL (M2, M3, M4, M5, M10, M11, M12, M13)			
7	10123513	LIMIT-RESET MANUAL (M6, M7, M14, M15)			
7	10123509	LIMIT-RESET MANUAL (M8, M16)			
8	10735201	FLAME-SENSOR			
9	10735101	BURNER (QTY 98)			
10	A4554801	BUSHING-SNAP			
11	C6476904	VALVE-GAS			
12	10568801	MANIFOLD (M1, M9)			
12	10568802	MANIFOLD (M2, M3, M10, M11)			
12	10568803	MANIFOLD (M4, M5, M12, M13)			
12	10568804	MANIFOLD (M6, M7, M14, M15)			
12	10568805	MANIFOLD (M8, M16)			
13	10716003	ORIFICE-NATURAL (QTY 98)			
13	10716003	ORIFICE-PROPANE (QTY 98)			
14	M0216529	SCREW-SM (QTY 98)			
15	M0253516	SCREW-TR (QTY 98)			
16	M0216519	SCREW-SM (QTY 98)			

