

Parts

Accessory Catalog For Furnaces

This Manual Replaces RP6690002 Rev 2

Parts Manual for
Amana®

Models and manufacturing
numbers in this manual

ASB01A	P1200201F
CVK4	P1210001F
CVK5	P1210002F
CVK6	P1210003F
CVK7	P1210004F
FTK02A	P1171302F
FTK03A	P1171303F
HAC1PS01	P1204201F
HAC1PS01	P1204213F
HAC1PS02	P1204202F
HAC1PS02	P1204214F
HAC1PS03	P1204203F
HAC1PS03	P1204215F
HAC1PS04	P1204204F
HAC1PS04	P1204216F
HAC1PS05	P1204205F
HAC1PS05	P1204217F
HAC1PS06	P1204206F
HAC1PS06	P1204218F
HAC1PS07	P1204207F
HAC1PS07	P1204219F
HAC1PS08	P1204208F
HAC1PS08	P1204220F
HAC1PS09	P1204209F
HAC1PS09	P1204221F
HAC1PS10	P1204210F
HAC1PS10	P1204222F
HAC1PS11	P1204211F
HAC1PS12	P1204212F
HAC1PS13	P1204223F
HAC1PS14	P1204224F
HALP05	P1129105F
HALP06	P1129106F
HALP06	P1129107F
HALP09	P1129110F
HANG07	P1129007F
HANG07	P1129008F
LPTK05	P1417307F
LPTK06	P1200101F
LPTK07	P1200102F
LPTK09	P1200106F

This manual is to be used by qualified appliance technicians only. Amana does not assume any responsibility for property damage or personal injury for improper service procedures done by an unqualified person.



RP6690002
Revision 3
June 1997

Important Information

Raytheon Appliances is not responsible for personal injury or property damage resulting from improper service. Review all service information before beginning repairs.

Warranty service must be performed by an authorized technician, using authorized factory parts. If service is required after the warranty expires, Raytheon Appliances also recommends contacting an authorized technician and using authorized factory parts. Locate an authorized technician by calling 800-NATLSVC (800-628-5782).

For assistance within the U.S.A. contact:

Consumer Affairs Department
Amana, Raytheon Appliances
2800 220th Trail
PO Box 8901
Amana IA 52204-0001
319-622-5511--Telephone
319-622-2977--Facsimile

For assistance outside the U.S.A. contact:

International Division
Amana, Raytheon Appliances
2800 220th Trail
PO Box 8901
Amana IA 52204-0001
USA
319-622-5511--Telephone
319-622-8595--Facsimile

Index

Functional Parts List	5
Illustration and Parts	6 - 19

Views shown are for parts illustrations only, not servicing procedures.

Revision 3; Added P1200106F, P1129110F.

Text Codes:

AR - As Required

0000 - Not Shown

QTY - Quantity Example (QTY 3) (If Quantity not shown, Quantity = 1)

M - Model Example (M1) (If M Code not shown, then part is used on all Models)

Expanded Model and Color Nomenclature:

Example

M1 - Model#1 P _____

M2 - Model#2 P _____

M3 - Model#3 P _____

Functional Parts

Part

No: Description:

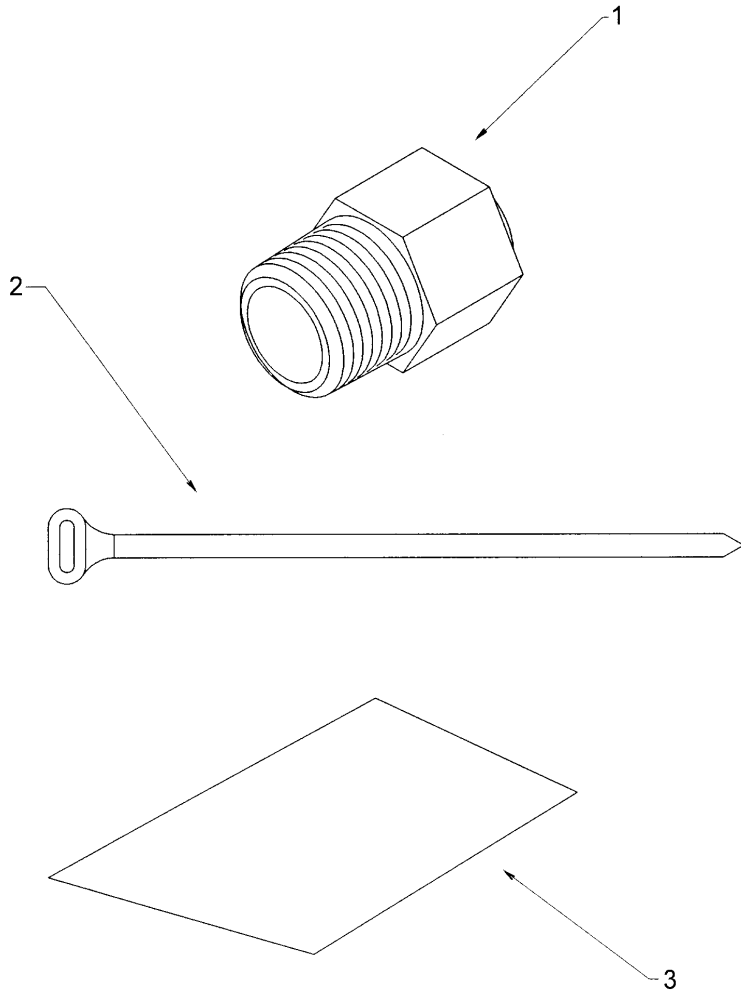
SPECIAL PARTS

RP6690002 ACCESSORY CATALOG FOR FURNACES

Expanded Model and Color Nomenclature

M1 - HANG07	P1129007F
M2 - HANG07	P1129008F
M3 - HALP05	P1129105F
M4 - HALP06	P1129106F
M5 - HALP06	P1129107F
M6 - FTK02A	P1171302F
M7 - FTK03A	P1171303F
M8 - LPTK06	P1200101F
M9 - LPTK07	P1200102F
M10 - ASB01	P1200201F
M11 - HAC1PS01	P1204201F
M12 - HAC1PS02	P1204202F
M13 - HAC1PS03	P1204203F
M14 - HAC1PS04	P1204204F
M15 - HAC1PS05	P1204205F
M16 - HAC1PS06	P1204206F
M17 - HAC1PS07	P1204207F
M18 - HAC1PS08	P1204208F
M19 - HAC1PS09	P1204209F
M20 - HAC1PS10	P1204210F
M21 - HAC1PS11	P1204211F
M22 - HAC1PS12	P1204212F
M23 - HAC1PS01	P1204213F
M24 - HAC1PS02	P1204214F
M25 - HAC1PS03	P1204215F
M26 - HAC1PS04	P1204216F
M27 - HAC1PS05	P1204217F
M28 - HAC1PS06	P1204218F
M29 - HAC1PS07	P1204219F
M30 - HAC1PS08	P1204220F
M31 - HAC1PS09	P1204221F
M32 - HAC1PS10	P1204222F
M33 - HAC1PS13	P1204223F
M34 - HAC1PS14	P1204224F
M35 - CVK4	P1210001F
M36 - CVK5	P1210002F
M37 - CVK6	P1210003F
M38 - CVK7	P1210004F
M39 - LPTK05	P1417307F
M40 - HALP09	P1129110F
M41 - LPTK09	P1200106F

High Altitude Natural Gas Conversion Kits (HANG__)



High Altitude Natural Gas Conversion Kits (HANG__)

Ref. No:	Part No:	Description:	Ref. No:	Part No:	Description:
----------	----------	--------------	----------	----------	--------------

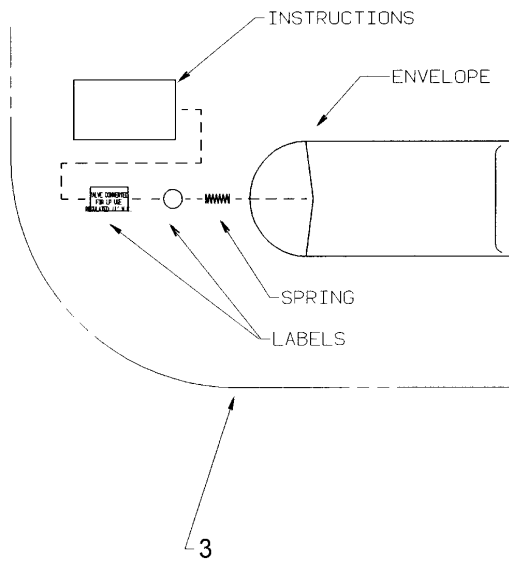
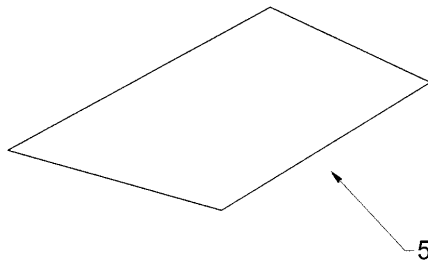
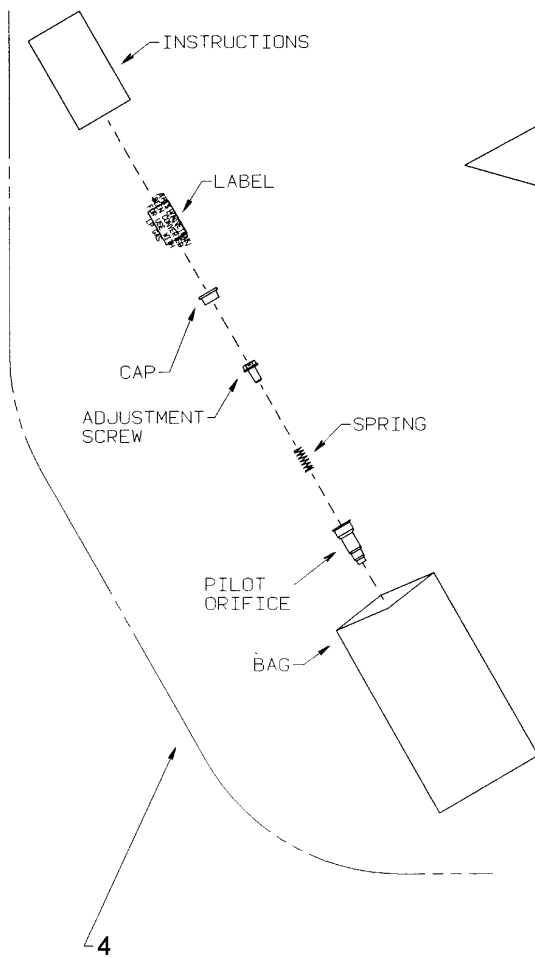
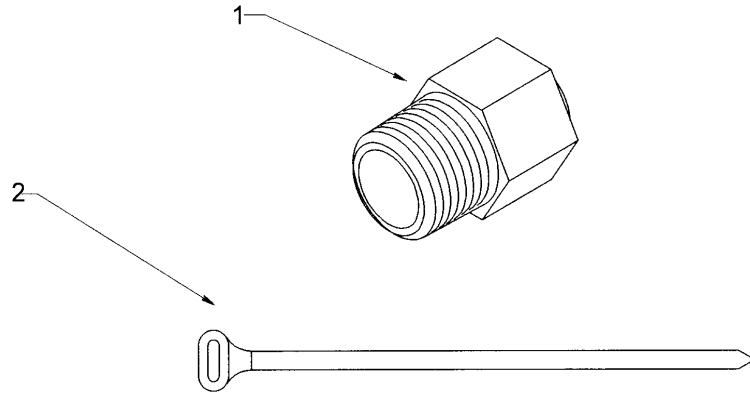
Image 1

1	10716005	ORIFICE (M1, M2) (QTY 6)
2	M0321202	TIE-ELEC (M1, M2) (QTY 2)
3	10759905	INSTR-HIGH ALT (M1, M2)

Expanded Model and Color Nomenclature

M1 - HANG07	P1129007F
M2 - HANG07	P1129008F
M3 - HALP05	P1129105F
M4 - HALP06	P1129106F
M5 - HALP06	P1129107F
M6 - FTK02A	P1171302F
M7 - FTK03A	P1171303F
M8 - LPTK06	P1200101F
M9 - LPTK07	P1200102F
M10 - ASB01	P1200201F
M11 - HAC1PS01	P1204201F
M12 - HAC1PS02	P1204202F
M13 - HAC1PS03	P1204203F
M14 - HAC1PS04	P1204204F
M15 - HAC1PS05	P1204205F
M16 - HAC1PS06	P1204206F
M17 - HAC1PS07	P1204207F
M18 - HAC1PS08	P1204208F
M19 - HAC1PS09	P1204209F
M20 - HAC1PS10	P1204210F
M21 - HAC1PS11	P1204211F
M22 - HAC1PS12	P1204212F
M23 - HAC1PS01	P1204213F
M24 - HAC1PS02	P1204214F
M25 - HAC1PS03	P1204215F
M26 - HAC1PS04	P1204216F
M27 - HAC1PS05	P1204217F
M28 - HAC1PS06	P1204218F
M29 - HAC1PS07	P1204219F
M30 - HAC1PS08	P1204220F
M31 - HAC1PS09	P1204221F
M32 - HAC1PS10	P1204222F
M33 - HAC1PS13	P1204223F
M34 - HAC1PS14	P1204224F
M35 - CVK4	P1210001F
M36 - CVK5	P1210002F
M37 - CVK6	P1210003F
M38 - CVK7	P1210004F
M39 - LPTK05	P1417307F
M40 - HALP09	P1129110F
M41 - LPTK09	P1200106F

High Altitude LP Conversion Kits (HALP)



High Altitude LP Conversion Kits (HALP)

Ref. No:	Part No:	Description:	Ref. No:	Part No:	Description:
----------	----------	--------------	----------	----------	--------------

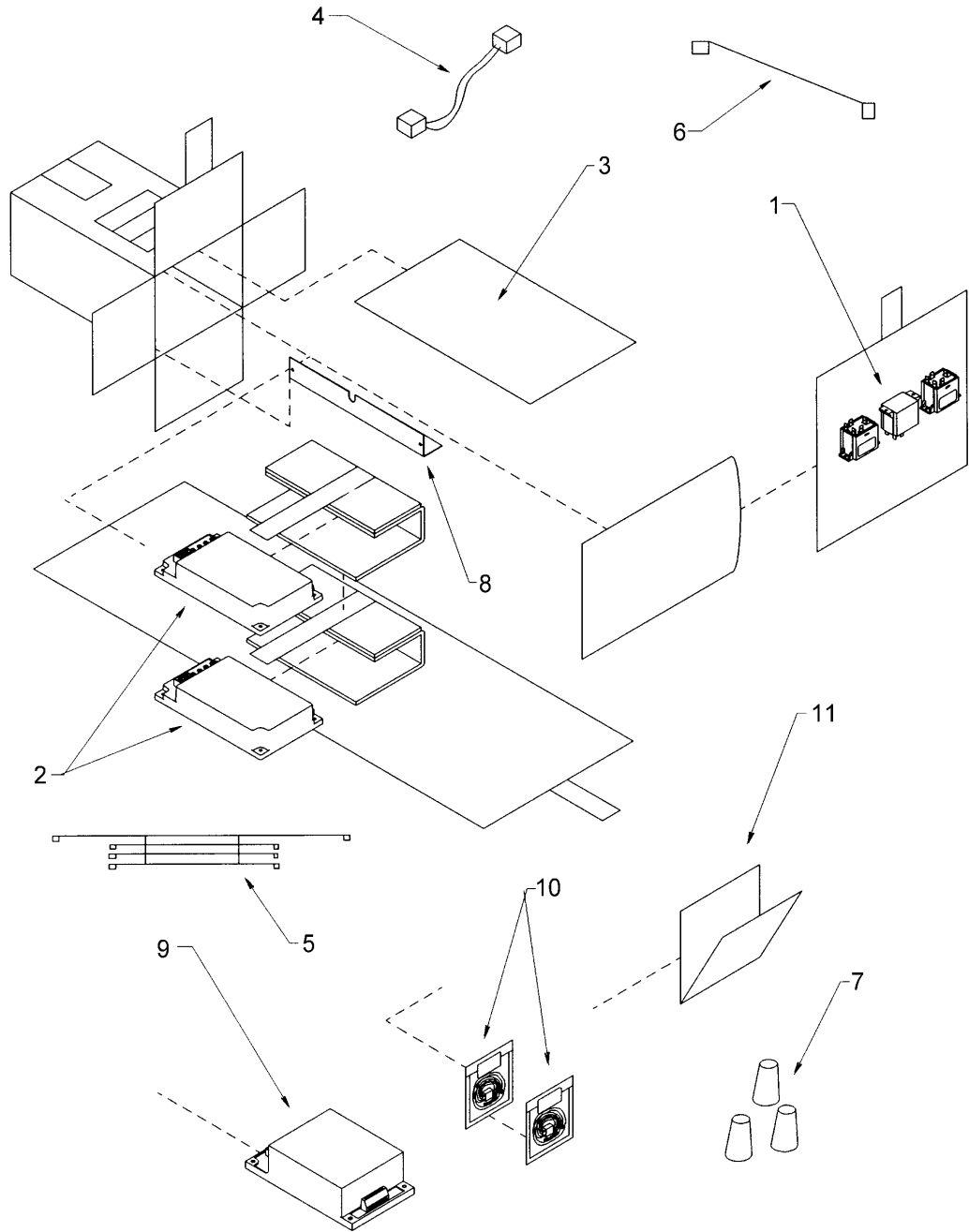
Image 1

1	10716010	ORIFICE (M3, M4, M5, M40) (QTY 6)
2	M0321202	TIE-ELEC (M3, M4, M5, M40) (QTY 2)
3	10674502	VALVE-CONV KIT (M40)
3	B1417603	VALVE-CONV KIT (M40)
3	B1444401	VALVE-CONV KIT (M3, M4, M5, M40)
4	10674501	VALVE CONV KIT (M3, M4, M5)
5	10759901	INSTR-HIGH ALT (M3)
5	10759904	INSTR-HIGH ALT (M4, M5)
5	10759905	INSTRUCT-HIGH ALT (M40)

Expanded Model and Color Nomenclature

M1 - HANG07	P1129007F
M2 - HANG07	P1129008F
M3 - HALP05	P1129105F
M4 - HALP06	P1129106F
M5 - HALP06	P1129107F
M6 - FTK02A	P1171302F
M7 - FTK03A	P1171303F
M8 - LPTK06	P1200101F
M9 - LPTK07	P1200102F
M10 - ASB01	P1200201F
M11 - HAC1PS01	P1204201F
M12 - HAC1PS02	P1204202F
M13 - HAC1PS03	P1204203F
M14 - HAC1PS04	P1204204F
M15 - HAC1PS05	P1204205F
M16 - HAC1PS06	P1204206F
M17 - HAC1PS07	P1204207F
M18 - HAC1PS08	P1204208F
M19 - HAC1PS09	P1204209F
M20 - HAC1PS10	P1204210F
M21 - HAC1PS11	P1204211F
M22 - HAC1PS12	P1204212F
M23 - HAC1PS01	P1204213F
M24 - HAC1PS02	P1204214F
M25 - HAC1PS03	P1204215F
M26 - HAC1PS04	P1204216F
M27 - HAC1PS05	P1204217F
M28 - HAC1PS06	P1204218F
M29 - HAC1PS07	P1204219F
M30 - HAC1PS08	P1204220F
M31 - HAC1PS09	P1204221F
M32 - HAC1PS10	P1204222F
M33 - HAC1PS13	P1204223F
M34 - HAC1PS14	P1204224F
M35 - CVK4	P1210001F
M36 - CVK5	P1210002F
M37 - CVK6	P1210003F
M38 - CVK7	P1210004F
M39 - LPTK05	P1417307F
M40 - HALP09	P1129110F
M41 - LPTK09	P1200106F

Furnace Twinning Kits (FTK__)



Furnace Twinning Kits (FTK__)

Ref. Part No:	Part No:	Description:	Ref. Part No:	Part No:	Description:
---------------	----------	--------------	---------------	----------	--------------

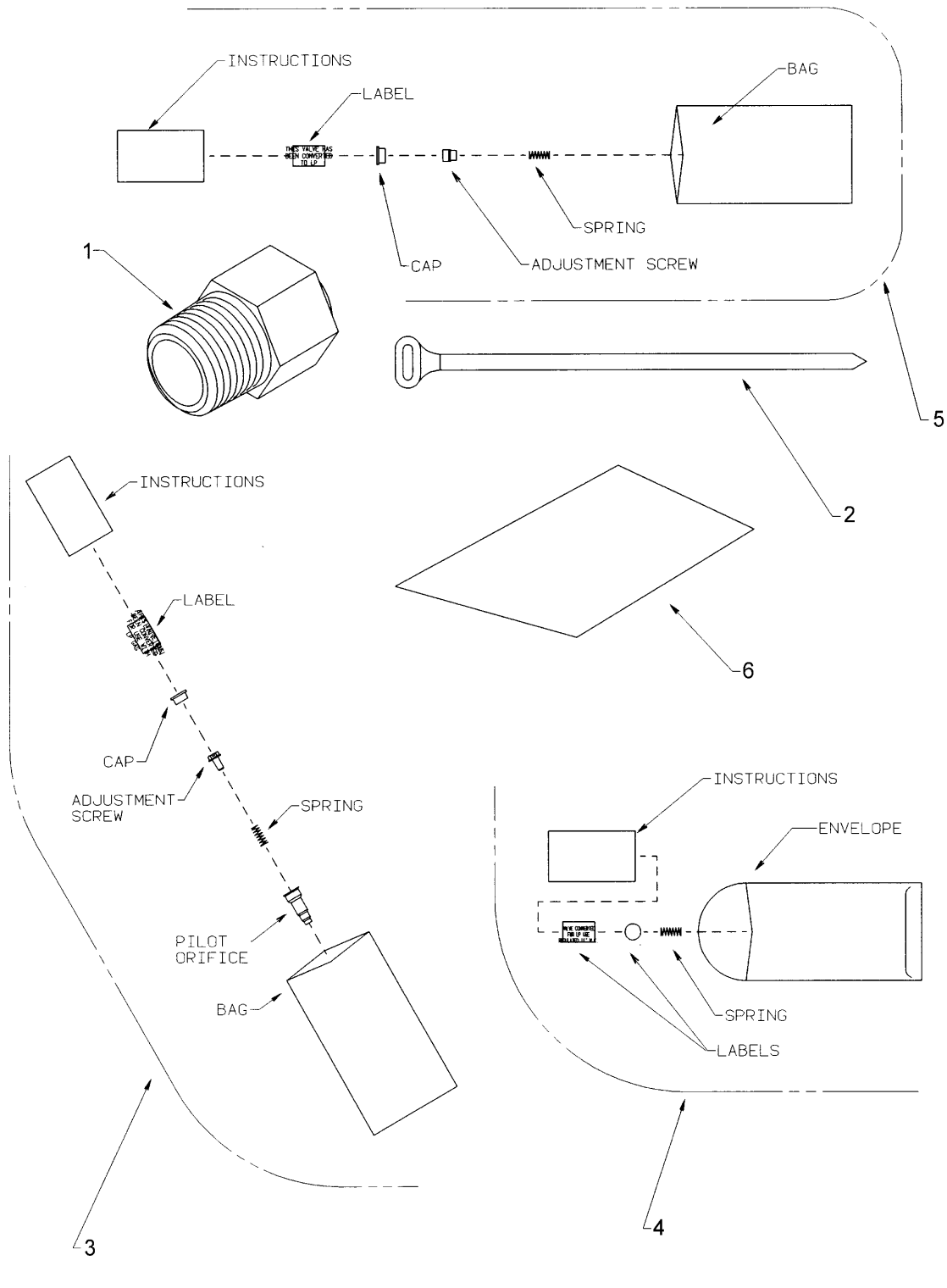
Image 1

1	10135602	RELAY (M6) (QTY 3)
2	10207703	CONTROL-INTEG (M6) (QTY 2)
3	11100401	WIRING-DIAGRAM (M6)
4	10539801	CABLE-TWINNING (M6)
5	10540301	HARNESS FA06 (M6)
6	10382461	WIRE-JUMPER BK2 (M6)
6	10382453	WIRE-JUMPER RD4 (M6)
6	10382455	WIRE-JUMPER RD5 (M6)
6	10382459	WIRE-JUMPER WH2 (M6)
6	10382456	WIRE-JUMPER WH6 (M6)
6	10382458	WIRE-JUMPER YL2 (M6)
6	10382457	WIRE-JUMPER YL7 (M6)
7	A4617503	NUT-WIRE (M6) (QTY 3)
8	11100501	RELAY MOUNT-BRKT (M6)
9		TWINNING CONTROL (CANNOT BE PURCHASED SEPARATELY) (M7)
10	R0198577	FAN SENSOR (M7)
11	10539902	INSTR-INSTALL (M6)
11	10539904	INSTR-INSTALL (M7)

Expanded Model and Color Nomenclature

M1 - HANG07	P1129007F
M2 - HANG07	P1129008F
M3 - HALP05	P1129105F
M4 - HALP06	P1129106F
M5 - HALP06	P1129107F
M6 - FTK02A	P1171302F
M7 - FTK03A	P1171303F
M8 - LPTK06	P1200101F
M9 - LPTK07	P1200102F
M10 - ASB01	P1200201F
M11 - HAC1PS01	P1204201F
M12 - HAC1PS02	P1204202F
M13 - HAC1PS03	P1204203F
M14 - HAC1PS04	P1204204F
M15 - HAC1PS05	P1204205F
M16 - HAC1PS06	P1204206F
M17 - HAC1PS07	P1204207F
M18 - HAC1PS08	P1204208F
M19 - HAC1PS09	P1204209F
M20 - HAC1PS10	P1204210F
M21 - HAC1PS11	P1204211F
M22 - HAC1PS12	P1204212F
M23 - HAC1PS01	P1204213F
M24 - HAC1PS02	P1204214F
M25 - HAC1PS03	P1204215F
M26 - HAC1PS04	P1204216F
M27 - HAC1PS05	P1204217F
M28 - HAC1PS06	P1204218F
M29 - HAC1PS07	P1204219F
M30 - HAC1PS08	P1204220F
M31 - HAC1PS09	P1204221F
M32 - HAC1PS10	P1204222F
M33 - HAC1PS13	P1204223F
M34 - HAC1PS14	P1204224F
M35 - CVK4	P1210001F
M36 - CVK5	P1210002F
M37 - CVK6	P1210003F
M38 - CVK7	P1210004F
M39 - LPTK05	P1417307F
M40 - HALP09	P1129110F
M41 - LPTK09	P1200106F

Propane Conversion Kits (LPTK__)



Propane Conversion Kits (LPTK__)

Ref. No:	Part No:	Description:	Ref. No:	Part No:	Description:
----------	----------	--------------	----------	----------	--------------

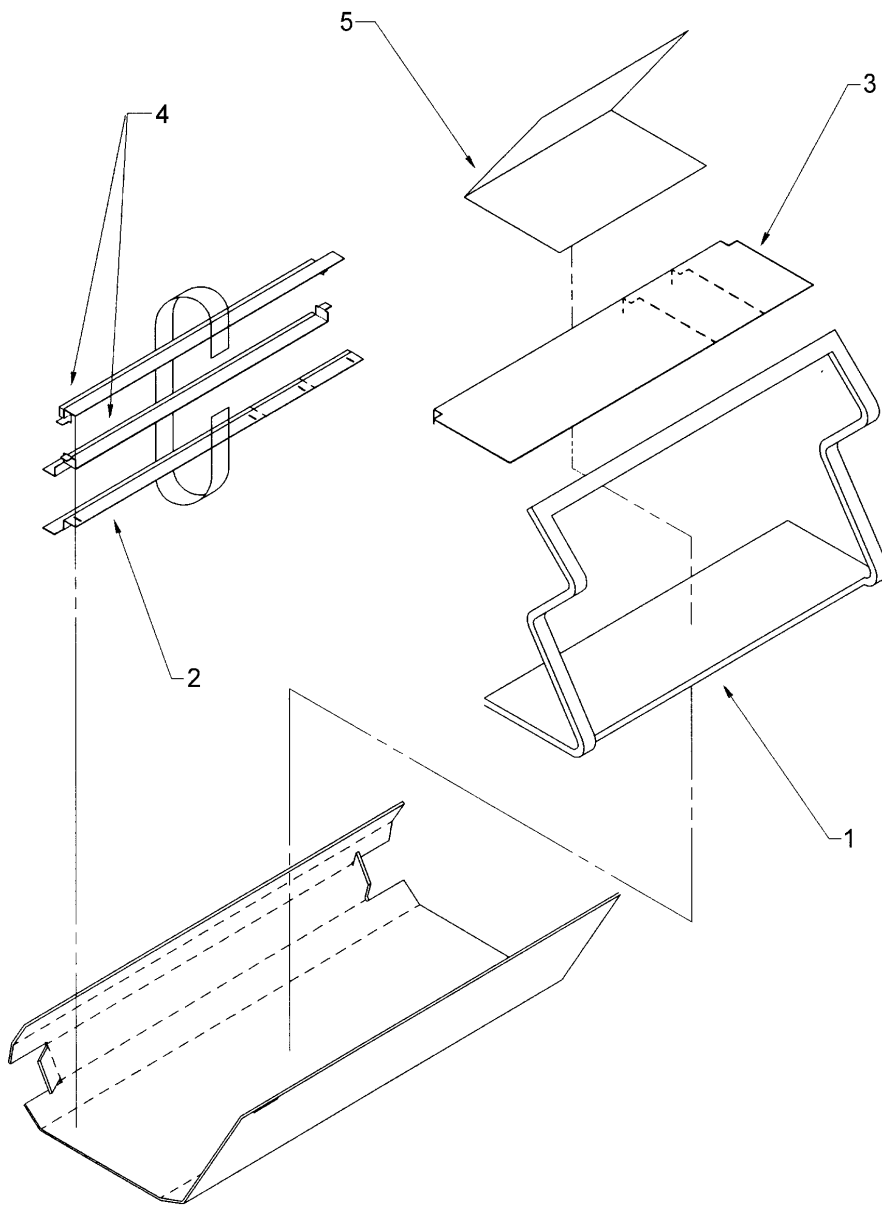
Image 1

1	10716002	ORIFICE (M39) (QTY 6)
1	10716009	ORIFICE (M8, M9) (QTY 6)
1	10716009	ORIFICE (M41) (QTY 6)
2	M0321202	TIE-ELEC (M3, M4, M5, M8, M9, M41) (QTY 2)
3	10674501	VALVE CONV KIT (M4, M5, M8, M9, M39)
3	10674502	VALVE-CONV KIT (M41)
3	B1417603	VALVE-CONV KIT (M41)
4	B1444401	VALVE CONV KIT (M4, M5, M8, M9, M39, M41, M41)
5	10308705	INSTR-INSTALL (M9)
5	B1417601	VALVE-CONV KIT (M39)
6	10152608	INSTR-INSTALL (M39)
6	10308702	INSTR-INSTALL (M8)
6	10308708	INSTR-INSTL (M41)

Expanded Model and Color Nomenclature

M1 - HANG07	P1129007F
M2 - HANG07	P1129008F
M3 - HALP05	P1129105F
M4 - HALP06	P1129106F
M5 - HALP06	P1129107F
M6 - FTK02A	P1171302F
M7 - FTK03A	P1171303F
M8 - LPTK06	P1200101F
M9 - LPTK07	P1200102F
M10 - ASB01	P1200201F
M11 - HAC1PS01	P1204201F
M12 - HAC1PS02	P1204202F
M13 - HAC1PS03	P1204203F
M14 - HAC1PS04	P1204204F
M15 - HAC1PS05	P1204205F
M16 - HAC1PS06	P1204206F
M17 - HAC1PS07	P1204207F
M18 - HAC1PS08	P1204208F
M19 - HAC1PS09	P1204209F
M20 - HAC1PS10	P1204210F
M21 - HAC1PS11	P1204211F
M22 - HAC1PS12	P1204212F
M23 - HAC1PS01	P1204213F
M24 - HAC1PS02	P1204214F
M25 - HAC1PS03	P1204215F
M26 - HAC1PS04	P1204216F
M27 - HAC1PS05	P1204217F
M28 - HAC1PS06	P1204218F
M29 - HAC1PS07	P1204219F
M30 - HAC1PS08	P1204220F
M31 - HAC1PS09	P1204221F
M32 - HAC1PS10	P1204222F
M33 - HAC1PS13	P1204223F
M34 - HAC1PS14	P1204224F
M35 - CVK4	P1210001F
M36 - CVK5	P1210002F
M37 - CVK6	P1210003F
M38 - CVK7	P1210004F
M39 - LPTK05	P1417307F
M40 - HALP09	P1129110F
M41 - LPTK09	P1200106F

Adjustable Sub Base Kits (ASB__)



Adjustable Sub Base Kits (ASB__)

Ref. No:	Part No:	Description:	Ref. No:	Part No:	Description:
----------	----------	--------------	----------	----------	--------------

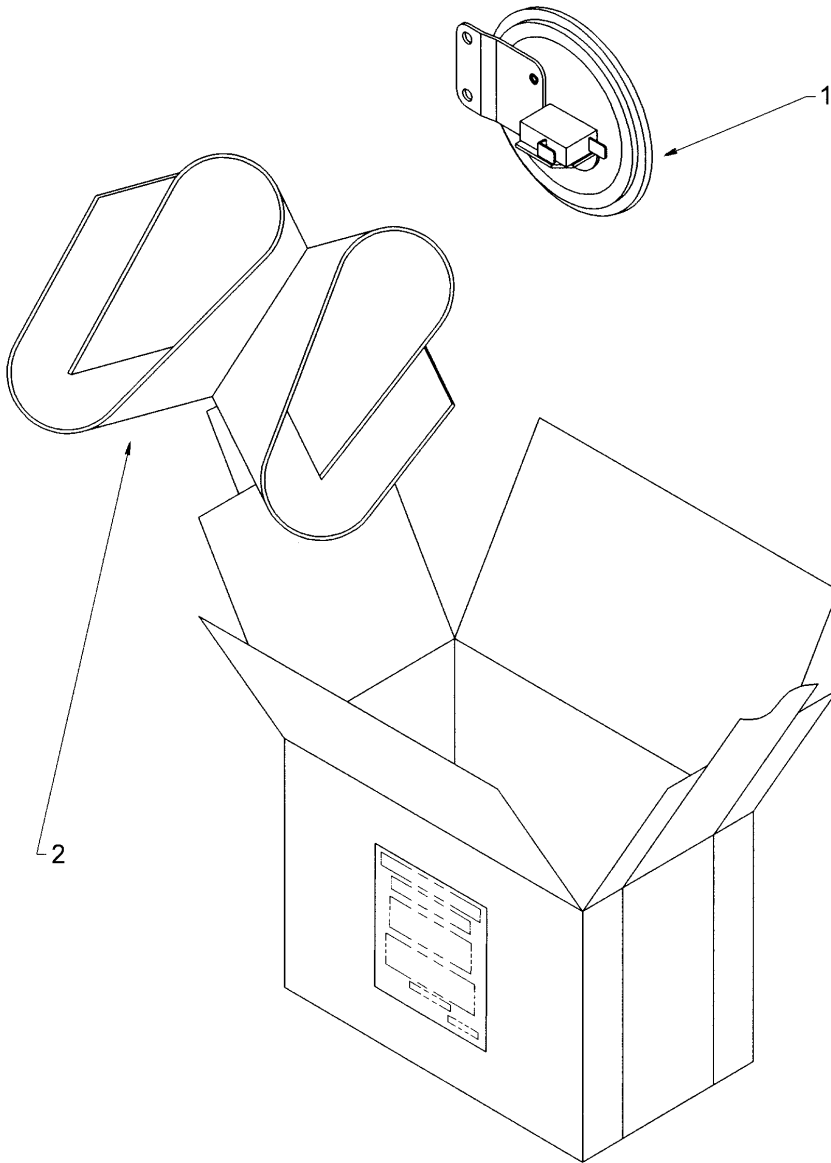
Image 1

1	11035002	INSUL-SUBBASE (M10)
2	11035101	SUBBASE-BACK (M10)
3	11035301V	SUBBASE-FRONT (M10)
4	11035201	SUBBASE-SIDE (M10) (QTY 2)
5	11047601	INSTR-INSTALL (M10)

Expanded Model and Color Nomenclature

M1 - HANG07	P1129007F
M2 - HANG07	P1129008F
M3 - HALP05	P1129105F
M4 - HALP06	P1129106F
M5 - HALP06	P1129107F
M6 - FTK02A	P1171302F
M7 - FTK03A	P1171303F
M8 - LPTK06	P1200101F
M9 - LPTK07	P1200102F
M10 - ASB01	P1200201F
M11 - HAC1PS01	P1204201F
M12 - HAC1PS02	P1204202F
M13 - HAC1PS03	P1204203F
M14 - HAC1PS04	P1204204F
M15 - HAC1PS05	P1204205F
M16 - HAC1PS06	P1204206F
M17 - HAC1PS07	P1204207F
M18 - HAC1PS08	P1204208F
M19 - HAC1PS09	P1204209F
M20 - HAC1PS10	P1204210F
M21 - HAC1PS11	P1204211F
M22 - HAC1PS12	P1204212F
M23 - HAC1PS01	P1204213F
M24 - HAC1PS02	P1204214F
M25 - HAC1PS03	P1204215F
M26 - HAC1PS04	P1204216F
M27 - HAC1PS05	P1204217F
M28 - HAC1PS06	P1204218F
M29 - HAC1PS07	P1204219F
M30 - HAC1PS08	P1204220F
M31 - HAC1PS09	P1204221F
M32 - HAC1PS10	P1204222F
M33 - HAC1PS13	P1204223F
M34 - HAC1PS14	P1204224F
M35 - CVK4	P1210001F
M36 - CVK5	P1210002F
M37 - CVK6	P1210003F
M38 - CVK7	P1210004F
M39 - LPTK05	P1417307F
M40 - HALP09	P1129110F
M41 - LPTK09	P1200106F

High Altitude Category 1 Pressure Switch Kits (HAC1PS__)



High Altitude Category 1 Pressure Switch Kits (HAC1PS__)

Ref. Part No:	Part No:	Description:	Ref. Part No:	Part No:	Description:
---------------	----------	--------------	---------------	----------	--------------

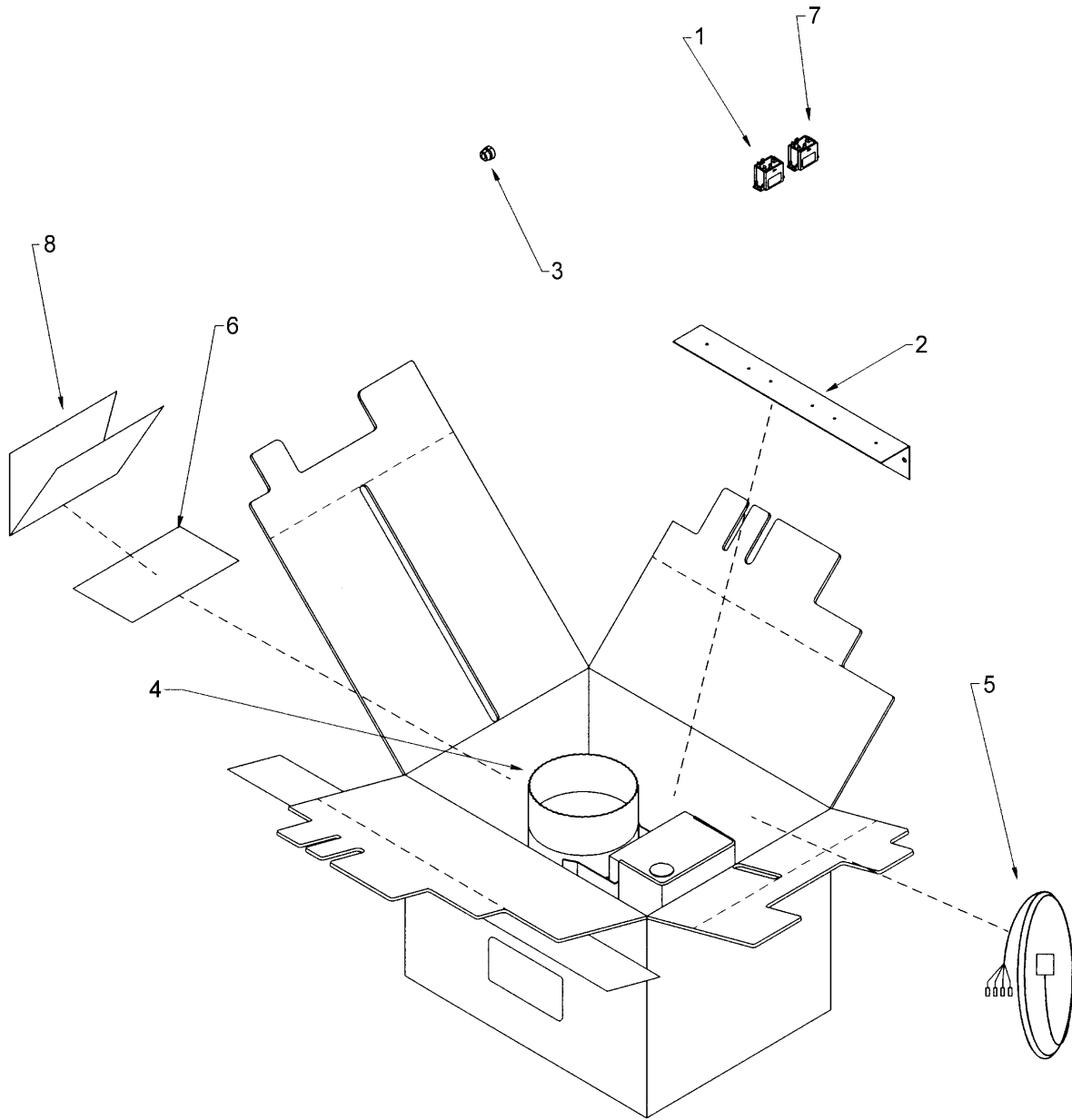
Image 1

1	10727903	SWITCH-PRESSURE (M11, M23)
1	10727904	SWITCH-PRESSURE (M12, M24)
1	10727905	SWITCH-PRESSURE (M15, M27)
1	10727906	SWITCH-PRESSURE (M13, M25)
1	10727907	SWITCH-PRESSURE (M18, M30)
1	10727908	SWITCH-PRESSURE (M16, M28)
1	10727909	SWITCH-PRESSURE (M14, M26)
1	10727910	SWITCH-PRESSURE (M17, M29)
1	10727911	SWITCH-PRESSURE (M19, M31)
1	10727912	SWITCH-PRESSURE (M20, M32)
1	10727915	SWITCH-PRESSURE (M21)
1	10727916	SWITCH-PRESSURE (M22)
1	10727918	SWITCH-PRESSURE (M33)
1	10727919	SWITCH-PRESSURE (M34)
2	10759905	INSTR-HIGH ALT (M11, M12, M13, M14, M15, M16, M17, M18, M19, M20, M21, M22, M23, M24, M25, M26, M27, M28, M29, M30, M31, M32, M33, M34)

Expanded Model and Color Nomenclature

M1 - HANG07	P1129007F
M2 - HANG07	P1129008F
M3 - HALP05	P1129105F
M4 - HALP06	P1129106F
M5 - HALP06	P1129107F
M6 - FTK02A	P1171302F
M7 - FTK03A	P1171303F
M8 - LPTK06	P1200101F
M9 - LPTK07	P1200102F
M10 - ASB01	P1200201F
M11 - HAC1PS01	P1204201F
M12 - HAC1PS02	P1204202F
M13 - HAC1PS03	P1204203F
M14 - HAC1PS04	P1204204F
M15 - HAC1PS05	P1204205F
M16 - HAC1PS06	P1204206F
M17 - HAC1PS07	P1204207F
M18 - HAC1PS08	P1204208F
M19 - HAC1PS09	P1204209F
M20 - HAC1PS10	P1204210F
M21 - HAC1PS11	P1204211F
M22 - HAC1PS12	P1204212F
M23 - HAC1PS01	P1204213F
M24 - HAC1PS02	P1204214F
M25 - HAC1PS03	P1204215F
M26 - HAC1PS04	P1204216F
M27 - HAC1PS05	P1204217F
M28 - HAC1PS06	P1204218F
M29 - HAC1PS07	P1204219F
M30 - HAC1PS08	P1204220F
M31 - HAC1PS09	P1204221F
M32 - HAC1PS10	P1204222F
M33 - HAC1PS13	P1204223F
M34 - HAC1PS14	P1204224F
M35 - CVK4	P1210001F
M36 - CVK5	P1210002F
M37 - CVK6	P1210003F
M38 - CVK7	P1210004F
M39 - LPTK05	P1417307F
M40 - HALP09	P1129110F
M41 - LPTK09	P1200106F

Common Vent Kits (CVK__)



Common Vent Kits (CVK__)

Ref. Part No:	Part No:	Description:	Ref. Part No:	Part No:	Description:
<i>Image 1</i>			Expanded Model and Color Nomenclature		
1	10135602	RELAY (M35, M36, M37, M38)	M1 -	HANG07	P1129007F
2	11100501	RELAY MOUNT-BRKT (M35, M36, M37, M38)	M2 -	HANG07	P1129008F
3	M0370010	RELIEF-STRAIN (M35, M36, M37, M38)	M3 -	HALP05	P1129105F
4	11150001	VENT DAMPER 4 IN (M35)	M4 -	HALP06	P1129106F
4	11150002	VENT DAMPER 5 IN (M36)	M5 -	HALP06	P1129107F
4	11150003	VENT DAMPER 6 IN (M37)	M6 -	FTK02A	P1171302F
4	11150004	VENT DAMPER 7 IN (M38)	M7 -	FTK03A	P1171303F
5	11161101	HARNESS-WIRING (M35, M36, M37, M38)	M8 -	LPTK06	P1200101F
6	11161601	LABEL-WIRING	M9 -	LPTK07	P1200102F
7	10135603	RELAY (M35, M36, M37, M38)	M10 -	ASB01	P1200201F
8	11161302	INSTR-INSTALL (M35, M36, M37, M38)	M11 -	HAC1PS01	P1204201F
			M12 -	HAC1PS02	P1204202F
			M13 -	HAC1PS03	P1204203F
			M14 -	HAC1PS04	P1204204F
			M15 -	HAC1PS05	P1204205F
			M16 -	HAC1PS06	P1204206F
			M17 -	HAC1PS07	P1204207F
			M18 -	HAC1PS08	P1204208F
			M19 -	HAC1PS09	P1204209F
			M20 -	HAC1PS10	P1204210F
			M21 -	HAC1PS11	P1204211F
			M22 -	HAC1PS12	P1204212F
			M23 -	HAC1PS01	P1204213F
			M24 -	HAC1PS02	P1204214F
			M25 -	HAC1PS03	P1204215F
			M26 -	HAC1PS04	P1204216F
			M27 -	HAC1PS05	P1204217F
			M28 -	HAC1PS06	P1204218F
			M29 -	HAC1PS07	P1204219F
			M30 -	HAC1PS08	P1204220F
			M31 -	HAC1PS09	P1204221F
			M32 -	HAC1PS10	P1204222F
			M33 -	HAC1PS13	P1204223F
			M34 -	HAC1PS14	P1204224F
			M35 -	CVK4	P1210001F
			M36 -	CVK5	P1210002F
			M37 -	CVK6	P1210003F
			M38 -	CVK7	P1210004F
			M39 -	LPTK05	P1417307F
			M40 -	HALP09	P1129110F
			M41 -	LPTK09	P1200106F