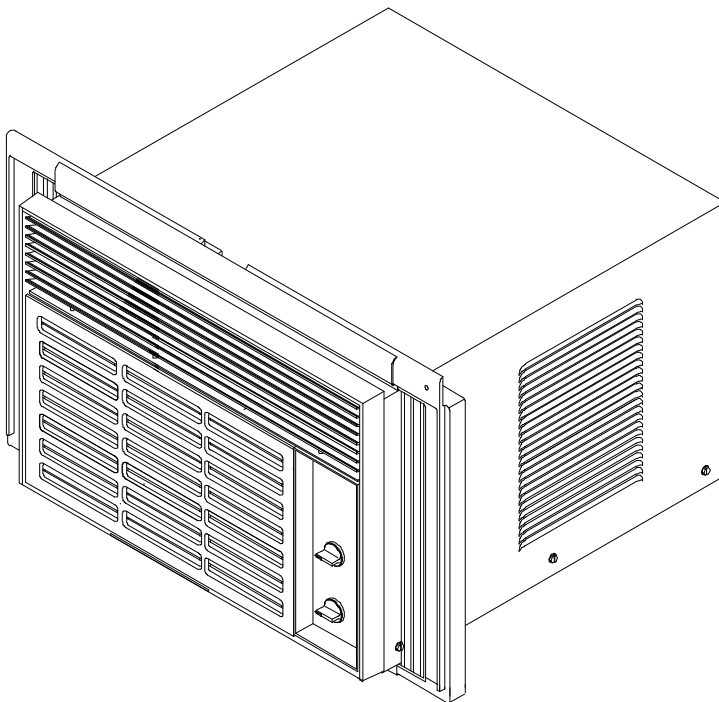


Models and manufacturing
numbers in this manual

5P2MY	P1162304R
5P2MY	P1162306R
7P2MY	P1162305R
7P2MY	P1162307R

Parts

Portable Room Air Conditioners



This manual is to be used by qualified appliance technicians only. Amana does not assume any responsibility for property damage or personal injury for improper service procedures done by an unqualified person.

Amana

RP4100001
Revision 2
August 1997

Important Information

Amana is not responsible for personal injury or property damage resulting from improper service. Review all service information before beginning repairs.

Warranty service must be performed by an authorized technician, using authorized factory parts. If service is required after the warranty expires, Amana also recommends contacting an authorized technician and using authorized factory parts. Locate an authorized technician by calling 800-NATLSVC (800-628-5782).

For assistance within the U.S.A. contact:

Consumer Affairs Department
Amana
2800 220th Trail
PO Box 8901
Amana IA 52204-0001
319-622-5511--Telephone
319-622-2977--Facsimile

For assistance outside the U.S.A. contact:

International Division
Amana
2800 220th Trail
PO Box 8901
Amana IA 52204-0001
USA
319-622-5511--Telephone
319-622-8595--Facsimile

Index

Functional Parts List	5
Illustration and Parts	6 - 13

Views shown are for parts illustrations only, not servicing procedures.

Revision 2: Corrected control assy info.

Text Codes:

AR - As Required

0000 - Not Shown

QTY - Quantity Example (QTY 3) (If Quantity not shown, Quantity = 1)

M - Model Example (M1) (If M Code not shown, then part is used on all Models)

Expanded Model and Color Nomenclature:

Example	
M1 - Model#1	P _____
M2 - Model#2	P _____
M3 - Model#3	P _____

Functional Parts

Part

No: Description:

D6789049	CAPACITOR-POLY
11101501	COMP-TC RGA5450EXA (M1, M3)
11101502	COMP-TC RGA5467EXA (M2, M4)
10193303	CONDENSER ASSY (M1, M3)
D9864803	CONDENSER ASSY (M2, M4)
D9864803	CONDENSER ASSY (M2, M4)
10193303	CONDENSER ASSY (M1, M3)
C6351701	CORD-POWER
10395102	EVAP COIL ASSY (M1, M3)
10395102	EVAP COIL ASSY (M1, M3)
D9864902	EVAPORATOR ASSY (M2, M4)
D9864902	EVAPORATOR ASSY (M2, M4)
D7795804	KNOB-CONTROL (QTY 2)
C6382806	MOTOR-FAN
D6961654	OVERLOAD (M2, M4)
D6961652	OVERLOAD (M1, M3)
11154403	PTCR-START DEVICE (M3, M4)
B1394401	STRAINER
C6381702	SWITCH-ROTARY
C6441102	TSTAT
11096401	TUBE-CAPILLARY (M1, M3)
11096402	TUBE-CAPILLARY (M2, M4)
C6219039	TUBE-CAPILLARY (M2, M4)

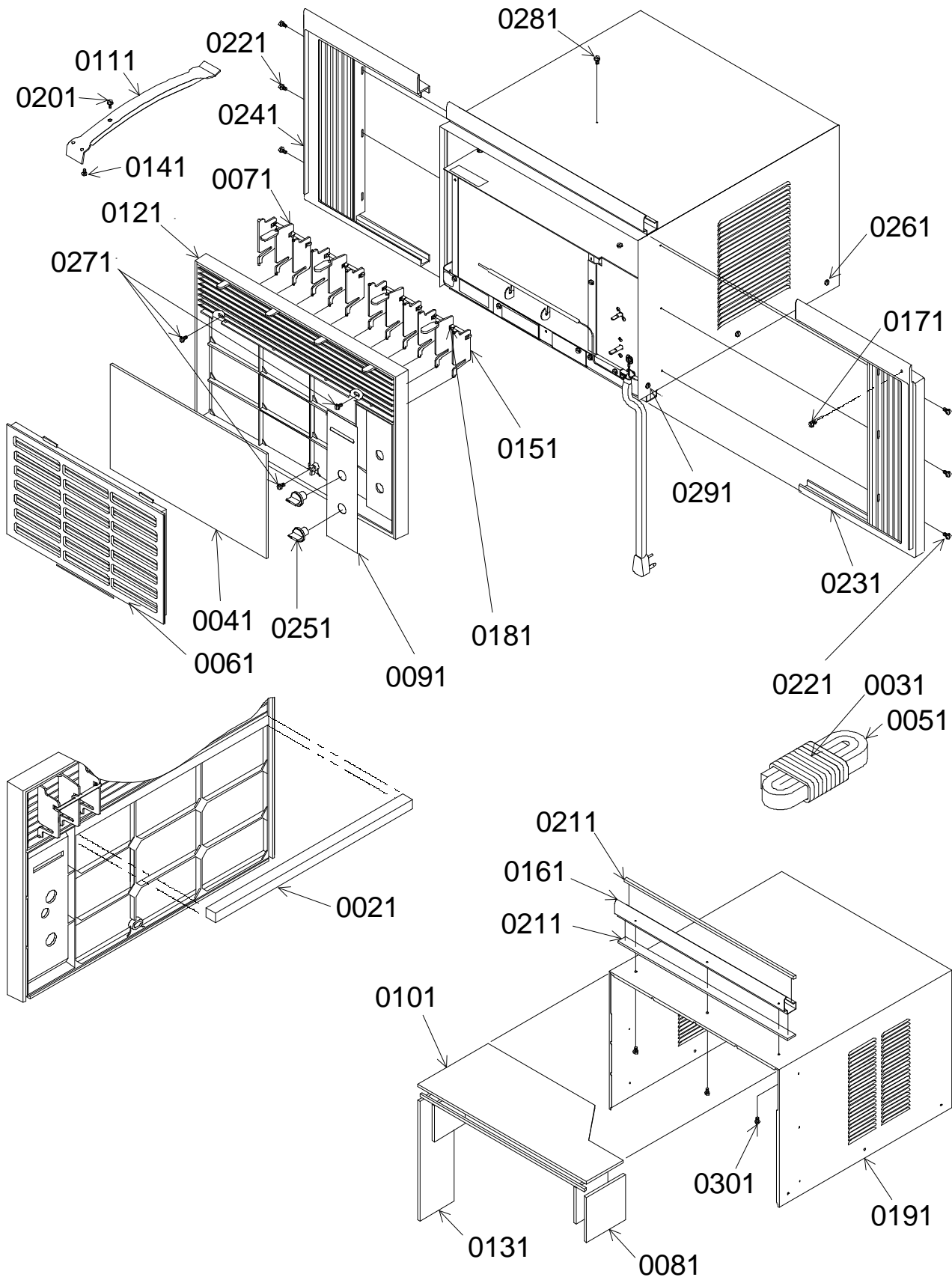
SPECIAL PARTS

A3456004	INSTRUCT-INSTALL
A9037704	MANUAL-OWNERS
RP4100001	MANUAL-PARTS

Expanded Model and Color Nomenclature

M1 - 5P2MY	P1162304R
M2 - 7P2MY	P1162305R
M3 - 5P2MY	P1162306R
M4 - 7P2MY	P1162307R

Outer Case/Front



Outer Case/Front

Ref. No:	Part No:	Description:	Ref. No:	Part No:	Description:
----------	----------	--------------	----------	----------	--------------

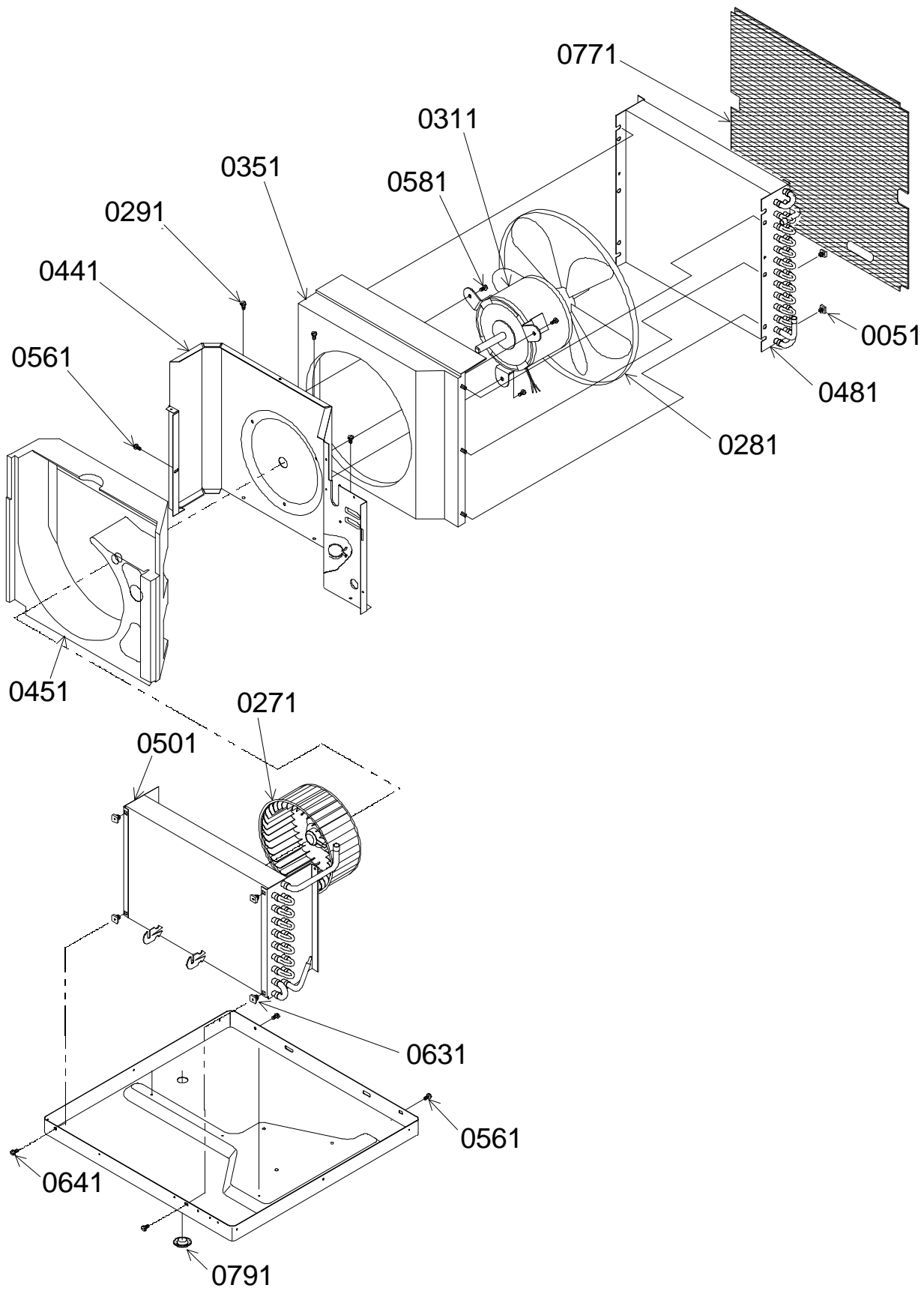
Image 1

0000	10661401	BRKT-WINDOW STOP
0000	10839704	GASKET-URETHANE (QTY AR)
0021	10839706	GASKET-URETHANE (QTY AR)
0031	10839720	GASKET-URETHANE (QTY AR)
0041	A3445901	FILTER-AIR
0051	10839702	GASKET-URETHANE (QTY AR)
0061	D6950706	INSERT-HORZ
0071	10558401	BAFFLE-AIR (QTY 4)
0081	10671504	INSUL-SIDE
0091	10394906	ESCUTCHEON
0101	10698801	INSUL-TOP
0111	11075305	SAFETY SUPPORT-PNT
0121	10558205	FRAME-FRONT
0131	10671505	INSUL-SIDE
0141	M0211020	SCREW-SM (QTY 3)
0151	10558501	BAFFLE-AIR (QTY 8)
0161	C5903422	TOP RAIL-PNT
0171	M0213032	SCREW-SM (QTY 2)
0181	10558301	CONNECTOR-BAFFLE (QTY 4)
0191	10690219	OC-PNT
0201	M0200001	SCREW-ADJ
0211	10839711	GASKET-URETHANE (QTY AR)
0221	M0216529	SCREW-SM (QTY AR)
0231	10659802	R FRAME ASSY
0241	10659801	L FRAME ASSY
0251	D7795804	KNOB-CONTROL (QTY 2)
0261	M0211016	SCREW-SM (QTY AR)
0271	M0241118	SCREW-SM (QTY 3)
0281	M0220757	SCREW-SHLDR
0291	M0216716	SCREW-SM (QTY AR)
0301	M0219916	SCREW-SM (QTY AR)

Expanded Model and Color Nomenclature

M1 - 5P2MY	P1162304R
M2 - 7P2MY	P1162305R
M3 - 5P2MY	P1162306R
M4 - 7P2MY	P1162307R

Air Movement System



Air Movement System

Ref. No:	Part No:	Description:	Ref. No:	Part No:	Description:
----------	----------	--------------	----------	----------	--------------

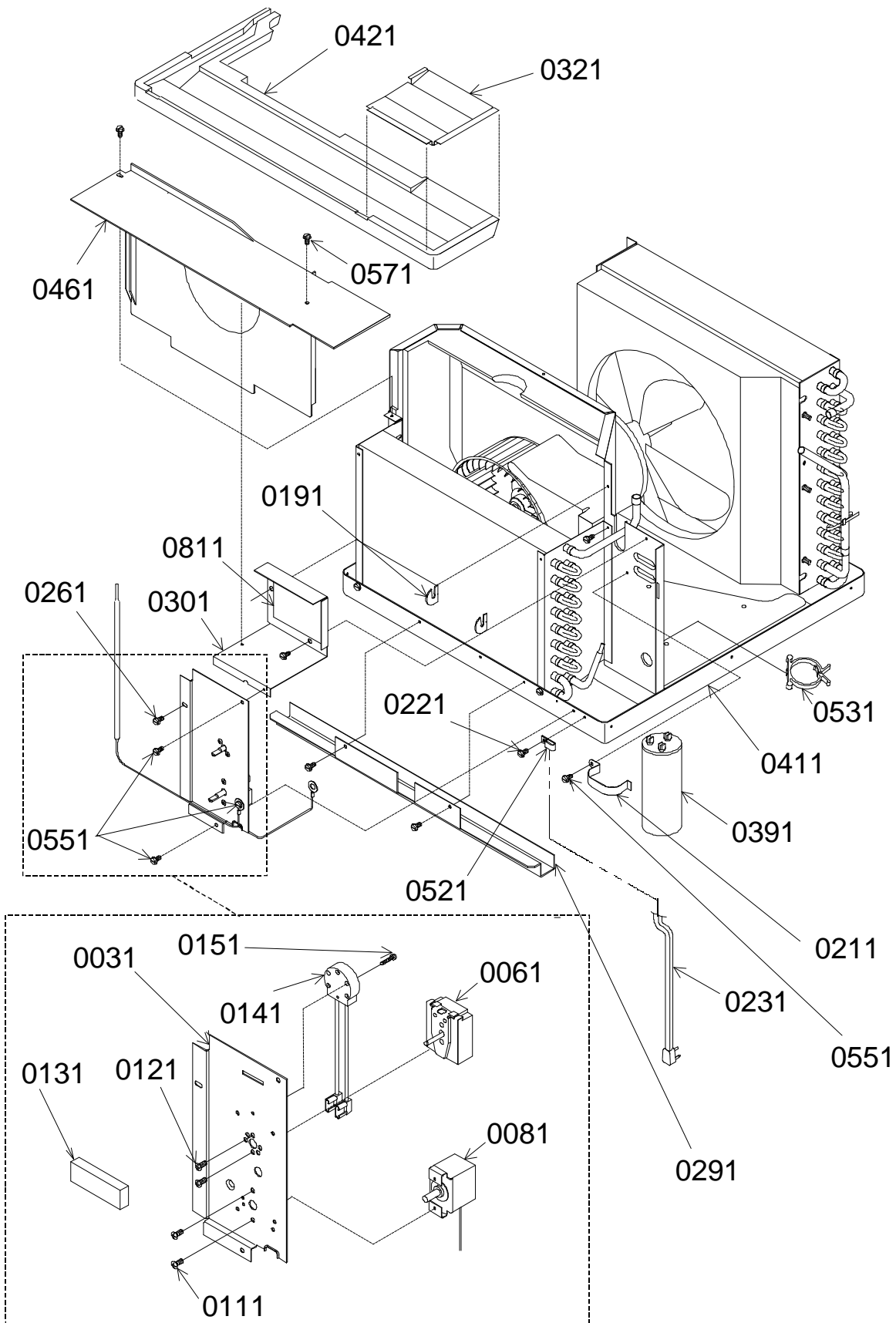
Image 1

0051	A3315701	GROMMET (QTY 4)
0271	10558601	WHEEL-BLOWER
0281	C6379801	BLADE-PLASTIC FAN
0291	M0216716	SCREW-SM (QTY AR)
0311	C6382806	MOTOR-FAN
0351	D6948902	SHROUD-CONDENSER
0441	D6950507	PANEL-PARTITION
0451	10536202	SCROLL
0481	10193303	CONDENSER ASSY (M1, M3)
0481	D9864803	CONDENSER ASSY (M2, M4)
0501	10395102	EVAP COIL ASSY (M1, M3)
0501	D9864902	EVAPORATOR ASSY (M2, M4)
0561	M0219916	SCREW-SM (QTY AR)
0581	M0224956	SCREW-TAP R (QTY 3)
0631	M0586001	GROMMET-SCREW (QTY 4)
0641	M0211017	SCREW-SM (QTY 2)
0771	11007502	GRILLE-COND PNT TAN
0791	A3080003	PLUG-BUTTON

Expanded Model and Color Nomenclature

M1 - 5P2MY	P1162304R
M2 - 7P2MY	P1162305R
M3 - 5P2MY	P1162306R
M4 - 7P2MY	P1162307R

Control Panel & Miscellaneous Parts



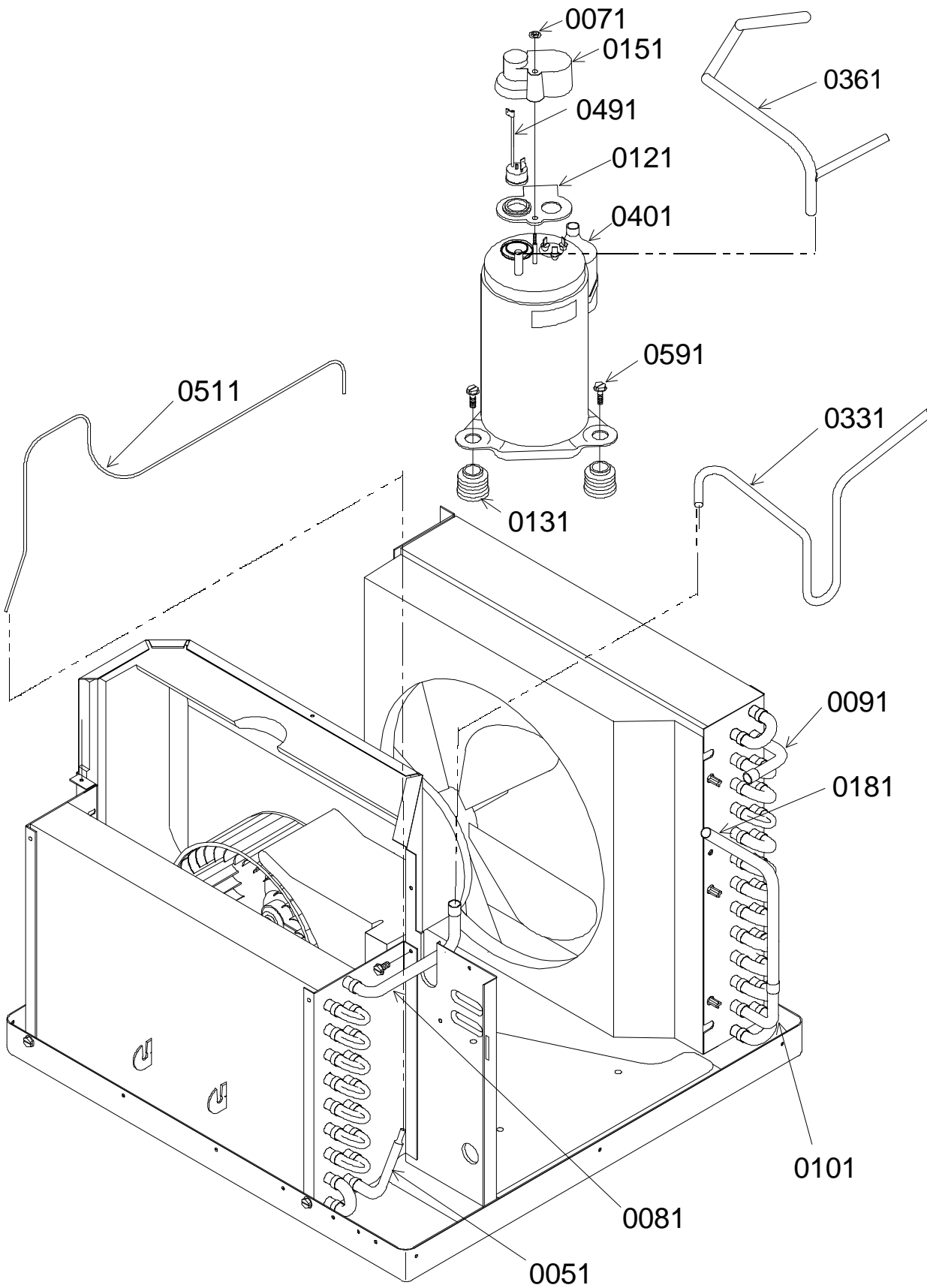
Control Panel & Miscellaneous Parts

Ref. No:	Part No:	Description:	Ref. No:	Part No:	Description:
<i>Image 1</i>					
0031	11152102	PANEL-CONTROL			
0061	C6381702	SWITCH-ROTARY			
0081	C6441102	TSTAT			
0111	M0232012	SCREW-TC (QTY 2)			
0121	M0202321	SCREW-MACH (QTY 2)			
0131	10839719	GASKET-URETHANE (QTY AR)			
0141	11154403	PTCR-START DEVICE (M3, M4)			
0151	M0216519	SCREW-SM (M3, M4)			
0191	11110101	CLIP-BULB (QTY 2)			
0211	C6300502	STRAP-CAPACITOR			
0221	M0216529	SCREW-SM (QTY AR)			
0231	C6351701	CORD-POWER			
0261	M0211016	SCREW-SM (QTY AR)			
0291	C6380302	BOTTOM RAIL-PNT			
0301	C6381407	BARRIER-CONTROL			
0321	C6383501	SHIELD-FILLER BLK			
0391	D6789049	CAPACITOR-POLY			
0411	D9998112	BASEPAN-PNT			
0421	D6947901	BLOCK-FILLER			
0461	D6950802	PANEL-INLET			
0521	M0103902	CLAMP-SPEED			
0531	M0118702	CLIP-GUIDE			
0551	M0216716	SCREW-SM (QTY AR)			
0571	M0245116	SCREW-SM (QTY 2)			
0811	10671204	INSUL-VENT BRKT			

Expanded Model and Color Nomenclature

M1 - 5P2MY	P1162304R
M2 - 7P2MY	P1162305R
M3 - 5P2MY	P1162306R
M4 - 7P2MY	P1162307R

Compressor & Tubing Arrangements



Compressor & Tubing Arrangements

Ref. No:	Part No:	Description:	Ref. No:	Part No:	Description:
<i>Image 1</i>					
0051	A4083932	ELBOW			
0071	A9036601	NUT-TERM COVER			
0081	B1439201	ELBOW			
0091	D9818905	ELBOW			
0101	B1439302	ELBOW			
0121	B1434901	GASKET-TERM COVER			
0131	A3448601	GROMMET (QTY 3)			
0151	C6470701	COVER-TERM			
0181	B1394401	STRAINER			
0331	11155001	TUBE-DISCHARGE (M1, M3)			
0331	11155002	TUBE-DISCHARGE (M2, M4)			
0361	11096001	SUCTION TUBE WELD			
0401	11101501	COMPRESSOR (M1, M3)			
0401	11101502	COMPRESSOR (M2, M4)			
0491	D6961652	OVERLOAD (M1, M3)			
0491	D6961654	OVERLOAD (M2, M4)			
0511	11096401	TUBE-CAPILLARY (M1, M3)			
0511	11096402	TUBE-CAPILLARY (M2, M4)			
0591	M0253610	SCREW-SHLDR (QTY 3)			

Expanded Model and Color Nomenclature

M1 - 5P2MY	P1162304R
M2 - 7P2MY	P1162305R
M3 - 5P2MY	P1162306R
M4 - 7P2MY	P1162307R