

REPAIR PARTS

MST***E21MC Multi-Port Outdoor Unit

MST183E21MCAA
MST273E21MCAA
MST363E21MCAA



This manual is to be used by qualified technicians only.

© 2017 Goodman Manufacturing Company, L.P. ♦ 5151 San Felipe St., Suite 500 ♦ Houston, TX 77056

Important Information

Index

Functional Parts List	3
Illustration and Parts	4 - 9

Views shown are for parts illustrations only, not servicing procedures

Text Codes:

AR - As Required

NA - Not Available

NS - Not Shown

00000000 - See Note

QTY - Quantity Example (QTY 3) (If Quantity not shown, Quantity = 1)

M - Model Example (M1) (If M Code not shown, then part is used on all Models)

Expanded Model Nomenclature:

Example M1 - Model#1 M2 - Model#2 M3 - Model#3

Goodman Manufacturing Company, L.P. is not responsible for personal injury or property damage resulting from improper service. Review all service information before beginning repairs.

Warranty service must be performed by an authorized technician, using authorized factory parts. If service is required after the warranty expires, Goodman Manufacturing Company, L.P. also recommends contacting an authorized technician and using authorized factory parts.

Goodman Manufacturing Company, L.P. reserves the right to discontinue, or change at any time, specifications or designs without notice or without incurring obligations.

For assistance within the U.S.A. contact:
Homeowner Support
Goodman Manufacturing Company, L.P.
19001 Kermier Road
Waller, Texas 77484
877-254-4729-Telephone
713-863-2382-Facsimile

For assistance outside the U.S.A. contact:
International Division
Goodman Manufacturing Company, L.P.
19001 Kermier Road
Waller, Texas 77484
713-861-2500-Telephone
713-863-2382-Facsimile

NOTE: To order parts contact Branch 198, 288 or 214

Functional Parts

Part

No: Description:

15500216000003	4-way Valve (M1)
15500216000361	4-ways valve (M2, M3)
11002015000397	Brushless DC Motor (M1)
11002015000247	Brushless DC Motor (M2, M3)
17402001000119	Crankcase electric heater (M2, M3)
11103020000439	DC Inverter Rotary Compressor (M3)
11103020000499	DC Inverter Rotary Compressor (M1)
11103020000179	Inverter Controlled Rotary Compressor (M2)
15500208000047	Liquid valve (M2, M3)
15500208000028	Liquid valve (QTY 2)
15500204000058	Low Pressure Valve (M3)
15500204000049	Low Pressure Valve (M2, M3)
15500204000021	Low Pressure Valve (QTY 2)
17400516000020	Pressure controller (M3)
17400516000024	Pressure switch (M3)
17400306000070	Reactance (M1, M2)
17400306000058	Reactor (M1, M2)
11201007000039	Room Temperature Sensor
11201007000259	Temperature Sensor (M1)
11201007000044	Temperature Sensor (M2)
11201007000007	Temperature Sensor (M3)

Expanded Model Nomenclature

M1 - MST183E21MCAA

M2 - MST273E21MCAA

M3 - MST363E21MCAA

MST183E21MC

MST183E21MC



MST183E21MC

Ref. Part No:	Ref. Part No:	Description:	Description:
Image 1:			
1	11201007000039	Room Temperature Sensor (M1)	
2	12222000004833	Rear net (M1)	
3	15822000004516	Condenser Assembly (M1)	
4	11201007000136	Pipe temperature sensor assembly (M1)	
4	11201007000259	Temperature Sensor (M1)	
5	12222300000551	Valve plate (M1)	
6	12222000A01131	Chassis assembly (M1)	
7	12222300000550	Rear right clapboard assembly (M1)	
8	12222300000029	Big Handle. (M1)	
9	12122300000150	Water collector (M1)	
11	12222000006304	Front panel (M1)	
12	12222000007425	Air outlet grille (M1)	
13	12100105000181	Axial fan (M1)	
14	11002015000397	Brushless DC Motor (M1)	
15	12222000004884	Supporter assembly of fan motor (M1)	
16	15422300000425	Liquid valve assembly (M1)	
17	12222000004835	Top cover assembly (M1)	
18	12222000004831	Left supporter (M1)	
19	12222000004784	Partition board assembly (M1)	
20	17222300000769	Electronic control box assembly (M1)	
21	17222300000768	Terminal Block Sub of Ele Cont Box (M1)	
22	15422300000426	Liquid valve assembly (M1)	
23	15422300000424	4-ways valve assembly (M1)	
24	11103020000499	DC Inverter Rotary Compressor (M1)	
26	11201007000246	Discharge temperature sensor assembly (M1)	
28	17400306000070	Reactance (M1)	
28	17400306000058	Reactor (M1)	
29	15500406000010	Copper nut (M1)	
29	15500406000012	Copper nut (M1)	
29	15500406000016	Copper nut (M1)	
40	17402001000008	Electric heating strip of compressor (M1)	
41	17402002000043	Electrical Heating Tube (M1)	
45	15500307000001	DR Module Box Subassembly (M1)	
99	174012030000802	Connection cable assembly of compressor (M1)	
111	12222000008704	Front panel (M1)	
161	15500204000021	Low Pressure Valve (M1)	
201	12122300000044	Electric Installing Box Cover (M1)	
202	17122300001132	Outdoor main control board assembly (M1)	
203	17122300001114	Inverter control board assembly (M1)	
204	12122300000041	Installation plate of electric parts (M1)	
211	12222300000226	Wiring terminal installing plate (M1)	
212	17400401000084	Wire holder (M1)	
221	15500208000028	Liquid valve (M1)	
222	15500213000046	Electric expansive valve assembly (M1)	
232	15500216000003	4-way Valve (M1)	
233	15500506000007	Muffler (M1)	
NS	11203803000856	Radiator (M1)	

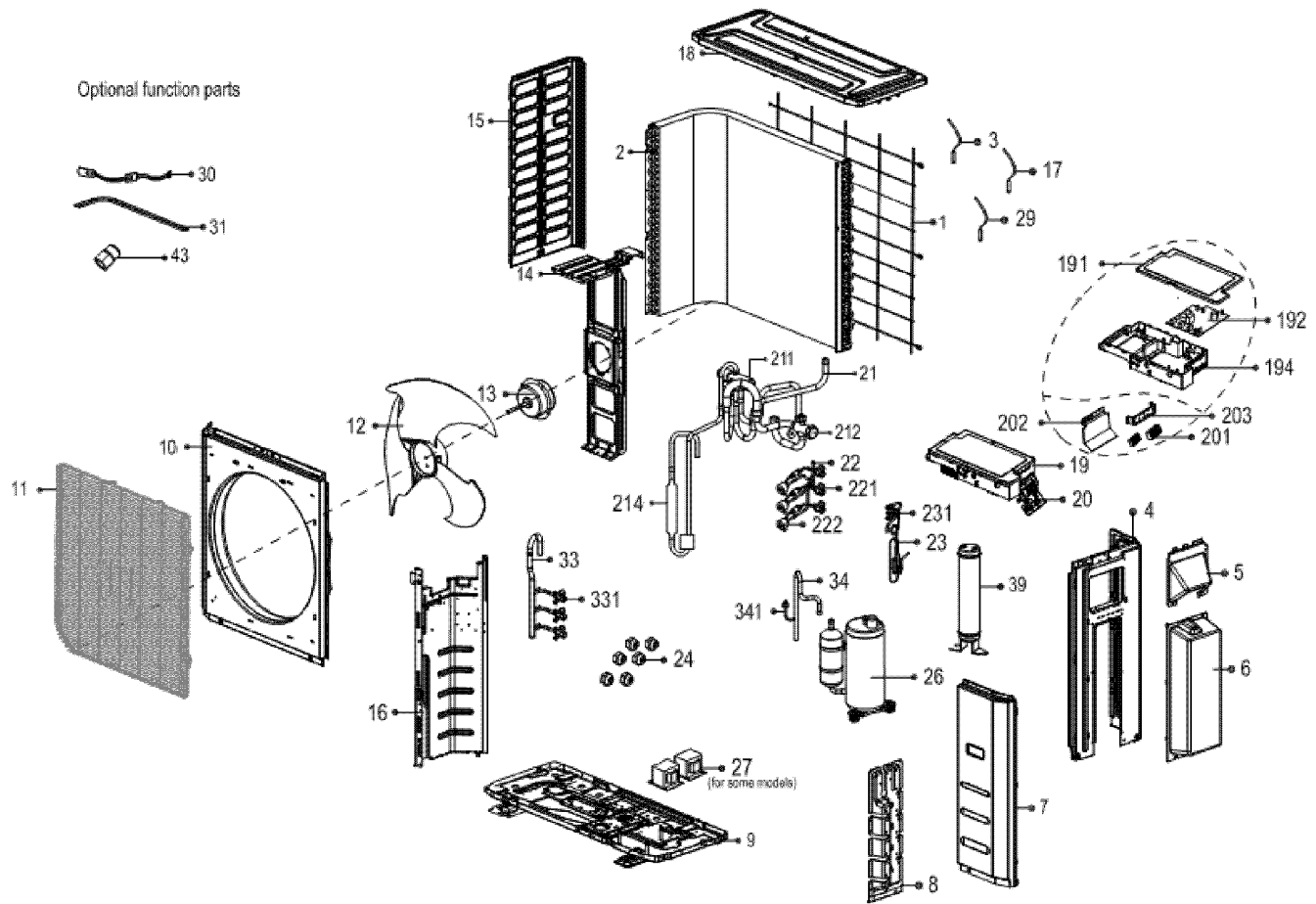
Expanded Model Nomenclature

M1 - MST183E21MCAA
M2 - MST273E21MCAA
M3 - MST363E21MCAA

NOTE: To order parts contact Branch 198, 288 or 214

MST273E21MC

MST273E21MC



MST273E21MC

Ref. Part No:	Ref. Part No:	Description:	Description:
Image 1:			
1	12222000006604	Rear net (M2)	
2	15822000002068	Condenser assembly (M2)	
3	11201007000136	Pipe temperature sensor assembly (M2)	
3	11201007000044	Temperature Sensor (M2)	
4	12222300000510	Rear right clapboard assembly (M2)	
5	12222300000529	Big handle (M2)	
6	12122300000110	Water collector (M2)	
7	12222500A00135	Front right clapboard assembly (M2)	
8	12222000005282	Valve plate (M2)	
9	12222000005267	Chassis assembly (M2)	
10	12222000A01431	Front panel (M2)	
11	12222000007904	Air outlet grille (M2)	
12	12100105000084	Axial fan (M2)	
13	11002015000247	Brushless DC Motor (M2)	
14	12222000005162	Holder for fan motor assembly (M2)	
15	12222000006665	Left side plate assembly of cabinet (M2)	
16	12222200001156	Separator Assembly (M2)	
17	11201007000039	Room Temperature Sensor (M2)	
18	12222500000541	Top cover assembly (M2)	
19	17222300000730	Electronic control box assembly (M2)	
20	17222300000729	Terminal board assembly (M2)	
21	15422300000604	4-way Valve Assembly (M2)	
22	15422300000404	Liquid valve assembly (M2)	
23	15422300000405	Liquid valve assembly (M2)	
24	15500406000010	Copper nut (M2)	
24	15500406000012	Copper nut (M2)	
24	15500406000016	Copper nut (M2)	
26	11103020000179	Inverter Controlled Rotary Compressor (M2)	
27	17400306000070	Reactance (M2)	
27	17400306000058	Reactor (M2)	
29	11201007000246	Discharge temperature sensor assembly (M2)	
30	17402002000043	Electrical Heating Tube (M2)	
31	17402001000119	Crankcase electric heater (M2)	
33	15422300000406	Gas valve assembly (M2)	
34	15122300001047	Suction pipe assembly (M2)	
39	15500508000315	Accumulator cylinder (M2)	
43	15500307000001	Transfer connector (M2)	
99	17401203000939	Connection cable assembly of compressor (M2)	
191	12122000006905	Electric Installing Box Cover (M2)	
192	17122300001094	Outdoor main control board assembly (M2)	
192	17122300001552	Outdoor main control board assembly (M2)	
194	12122300000170	Electric Installing Box (M2)	
201	17400401000135	Wire holder (M2)	
202	12222300000033	Terminal Installing Plate (M2)	
203	12222300000032	Terminal Installing Plate (M2)	
211	15500216000361	4-ways valve (M2)	
212	15500204000049	Low Pressure Valve (M2)	
214	15500506000007	Muffler (M2)	
221	15500208000028	Liquid valve (M2)	
222	15500213000046	Electric expansive valve assembly (M2)	
231	15500208000047	Liquid valve (M2)	
331	15500204000021	Low Pressure Valve (M2)	

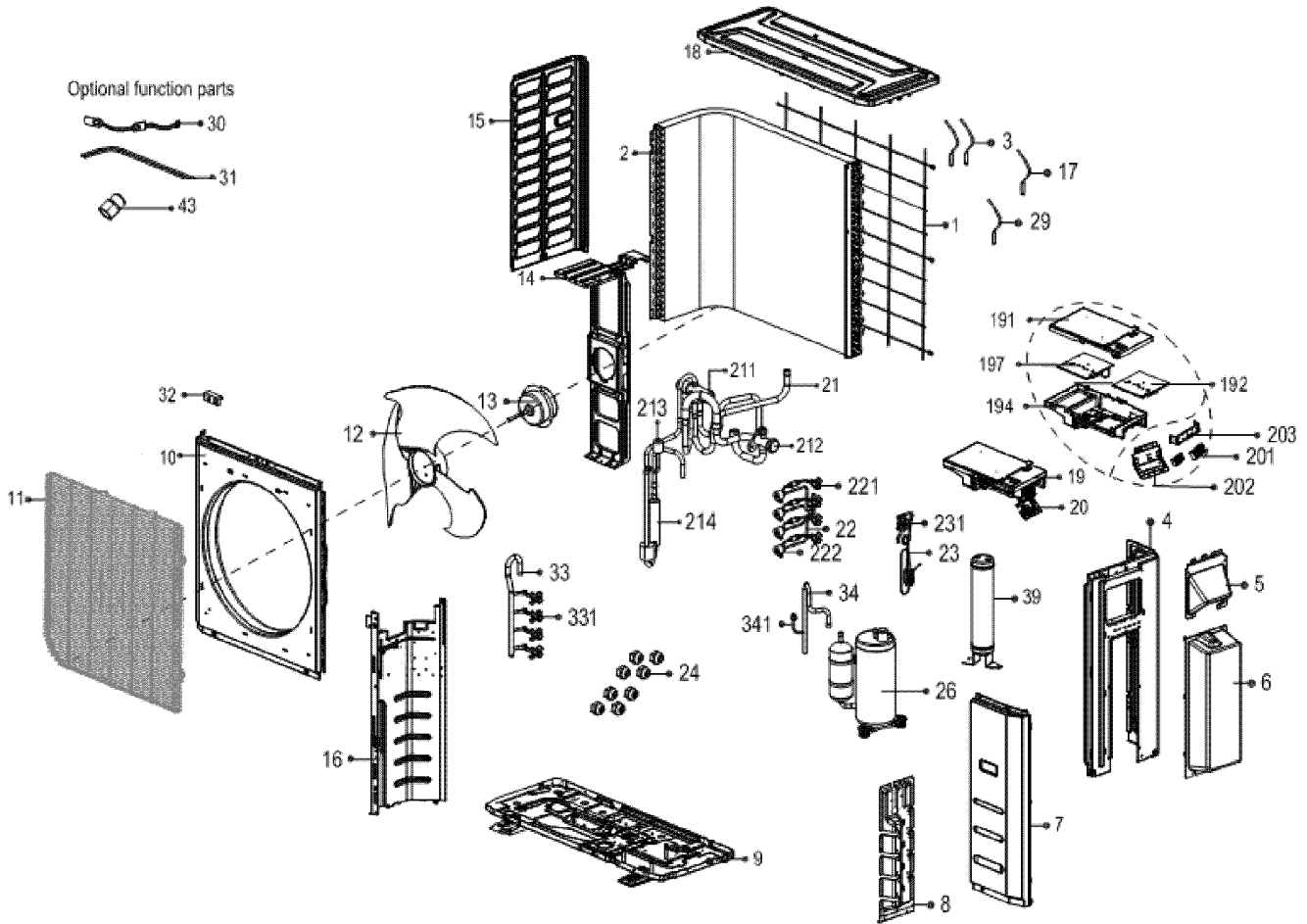
Expanded Model Nomenclature

M1 - MST183E21MCAA
M2 - MST273E21MCAA
M3 - MST363E21MCAA

NOTE: To order parts contact Branch 198, 288 or 214

MST363E21MC

MST363E21MC



MST363E21MC

Ref. Part

No: No: Description:

Ref. Part

No: No: Description:

Image 1:

1	12222000006604	Rear net (M3)
2	15822000007096	Condenser Assembly (M3)
3	11201007000136	Pipe temperature sensor assembly (M3)
3	11201007000007	Temperature Sensor (M3)
4	12222300000510	Rear right clapboard assembly (M3)
5	12222300000529	Big handle (M3)
6	12122300000110	Water collector (M3)
7	12222500A00135	Front right clapboard assembly (M3)
8	12222000005282	Valve plate (M3)
9	12222000005267	Chassis assembly (M3)
10	12222000A01431	Front panel (M3)
11	12222000007904	Air outlet grille (M3)
12	12100105000084	Axial fan (M3)
13	11002015000247	Brushless DC Motor (M3)
14	12222000005162	Holder for fan motor assembly (M3)
15	12222000006665	Left side plate assembly of cabinet (M3)
16	12222200001158	Separator Assembly (M3)
17	11201007000039	Room Temperature Sensor (M3)
18	12222500000587	Topcap assembly (M3)
19	17222300000791	E-Parts Box assembly (M3)
20	17222300000790	Terminal Block Sub of Ele Cont Box (M3)
21	15422300000347	Gas Valve Assembly (M3)
22	15422300000364	Liquid valve assembly (M3)
23	15422300000346	Liquid valve assembly (M3)
24	15500406000010	Copper nut (M3)
24	15500406000012	Copper nut (M3)
24	15500406000016	Copper nut (M3)
26	11103020000439	DC Inverter Rotary Compressor (M3)
29	11201007000157	Discharge temperature sensor assembly (M3)
30	17402002000043	Electrical Heating Tube (M3)
31	17402001000119	Crankcase electric heater (M3)
33	15422300000365	Gas valve assembly (M3)
34	15122300001024	Suction pipe assembly (M3)
39	15500508000315	Accumulator cylinder (M3)
43	15500307000001	Transfer connector (M3)
99	17401203000909	Connection cable assembly of compressor (M3)
191	12122200002719	Electric Installing Box Subassembly (M3)
192	17122300001154	Sticker Subassembly of Outdoor Main Control Board (M3)
194	12122200002715	Electric Installing Box Subassembly (M3)
197	17122500001174	Outdoor Inverter Module Subassembly (M3)
201	17400401000084	Wire holder (M3)
201	17400401000135	Wire holder (M3)
202	12222300000033	Terminal Installing Plate (M3)
203	12222300000032	Terminal Installing Plate (M3)
211	15500216000361	4-ways valve (M3)
212	15500204000049	Low Pressure Valve (M3)
213	17400516000020	Pressure controller (M3)
214	15500506000007	Muffler (M3)
221	15500208000028	Liquid valve (M3)
222	15500213000046	Electric expansive valve assembly (M3)
231	15500208000047	Liquid valve (M3)
331	15500204000021	Low Pressure Valve (M3)
331	15500204000058	Low Pressure Valve (M3)
341	17400516000024	Pressure switch (M3)
NS	11203803000249	Radiator (M3)

Expanded Model Nomenclature

M1 - MST183E21MCAA
M2 - MST273E21MCAA
M3 - MST363E21MCAA

NOTE: To order parts contact Branch 198, 288 or 214