

MSH*E21AX Indoor Remote Heat Pump**

MSH093E21AXAA
MSH123E21AXAA
MSH183E21AXAA
MSH243E21AXAA



This manual is to be used by qualified technicians only.

This manual replaces RP-D6321.

Important Information

Index

| | |
|------------------------------|--------|
| Functional Parts List | 3 |
| Illustration and Parts | 4 - 11 |

Views shown are for parts illustrations only, not servicing procedures

Text Codes:

AR - As Required

NA - Not Available

NS - Not Shown

00000000 - See Note

QTY - Quantity Example (QTY 3) (If Quantity not shown, Quantity = 1)

M - Model Example (M1) (If M Code not shown, then part is used on all Models)

Expanded Model Nomenclature:

| |
|---|
| Example M1 - Model#1 M2 - Model#2 M3 - Model#3 |
|---|

Daikin North America, LLC is not responsible for personal injury or property damage resulting from improper service. Review all service information before beginning repairs.

Warranty service must be performed by an authorized technician, using authorized factory parts. If service is required after the warranty expires, Daikin North America, LLC also recommends contacting an authorized technician and using authorized factory parts.

Daikin North America, LLC reserves the right to discontinue, or change at any time, specifications or designs without notice or without incurring obligations.

For assistance within the U.S.A. contact:

Homeowner Support
Daikin North America, LLC
19001 Kermier Road
Waller, Texas 77484
855-770-5678-Telephone
713-863-2382-Facsimile

For assistance outside the U.S.A. contact:

International Division
Daikin North America, LLC
19001 Kermier Road
Waller, Texas 77484
713-861-2500-Telephone
713-863-2382-Facsimile

NOTE: To order parts contact Branch 198, 288 or 214

Functional Parts

Part

No: Description:

| | |
|----------------|---|
| 11002015000094 | Brushless DC Motor (M3, M4) |
| 11002015000051 | Brushless DC Motor (M1, M2) |
| 17122000019549 | Indoor main control board assembly (M1) |
| 17122000018862 | Indoor main control board assembly (M4) |
| 17122000018850 | Indoor main control board assembly (M2) |
| 11201007000085 | Room Temperature Sensor |
| 11002010000143 | Stepper Motor (M1, M2) |
| 11201007000322 | Temperature Sensor (M1, M2) |
| 11201007000126 | Temperature Sensor (M3, M4) |

Expanded Model Nomenclature

M1 - MSH093E21AXAA

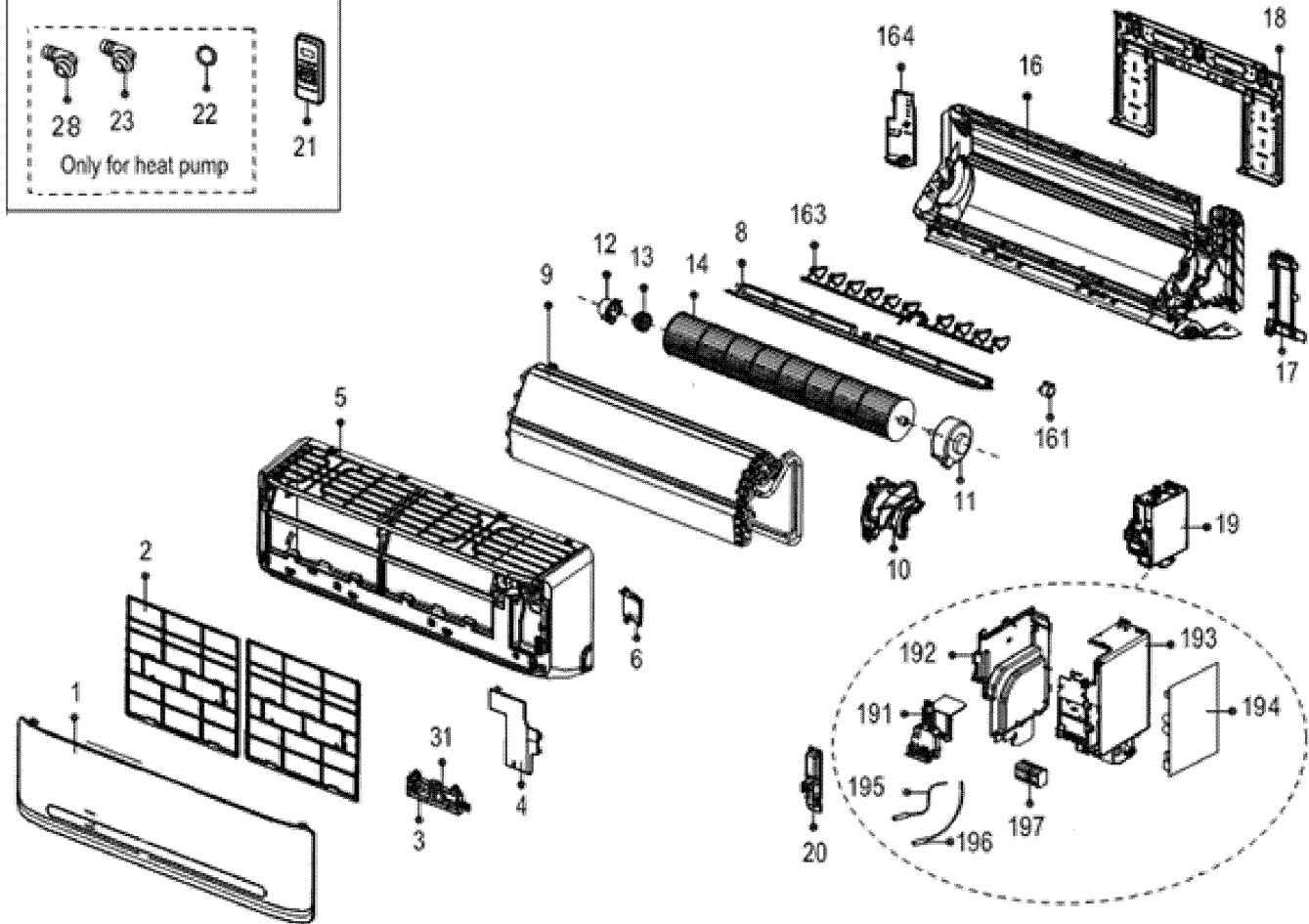
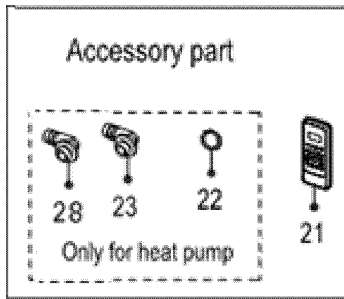
M2 - MSH123E21AXAA

M3 - MSH183E21AXAA

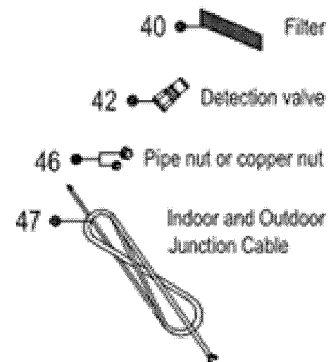
M4 - MSH243E21AXAA

MSH093E21AX

MSH093E21AX



Optional part



MSH093E21AX

| Ref. Part No: | Part No: | Description: | Ref. Part No: | Part No: | Description: |
|---------------|----------|--------------|---------------|----------|--------------|
|---------------|----------|--------------|---------------|----------|--------------|

Image 1:

| | | |
|-----|----------------|--|
| 1 | 12122000A59102 | Panel assembly (M1) |
| 2 | 12100204000522 | Air Filter (M1) |
| 3 | 17222000A01265 | Indicator board assembly of Split Unit (M1) |
| 4 | 12122000006755 | Cover of electrical equipment (M1) |
| 5 | 12122000001726 | Frame assembly (M1) |
| 6 | 12122000004587 | Right Cover Plate of Chassis (M1) |
| 8 | 12122000005815 | Wind Guide Assembly (M1) |
| 9 | 15822000003677 | Evaporator assembly (M1) |
| 10 | 12122000005540 | Motor Bearing Cover (M1) |
| 11 | 11002015000051 | Brushless DC Motor (M1) |
| 12 | 12122000000350 | Beating base jacket (M1) |
| 13 | 12622000000006 | Beating base (M1) |
| 14 | 12100102000044 | Cross-flow Window Rotor. (M1) |
| 16 | 12122000011818 | Chassis assembly (M1) |
| 17 | 12122000012943 | Pipe clamp board (M1) |
| 18 | 12222000A00811 | Installation plate (M1) |
| 19 | 17222000009970 | Electronic control box assembly (M1) |
| 20 | 12122000005020 | Electrical Control Box Cover (M1) |
| 21 | 17317000A18400 | Remote controller (M1) |
| 22 | 12600701000039 | Seal ring (M1) |
| 23 | 12100509000061 | Drain hose (M1) |
| 28 | 12100501000032 | Drain Hose (M1) |
| 31 | 17122000006863 | Display Panel Subassembly(Sticker) (M1) |
| 40 | 12100204000685 | Air freshening filter (M1) |
| 42 | 15500209000001 | Detection valve (M1) |
| 46 | 15500406000010 | Copper nut (M1) |
| 46 | 15500406000016 | Copper nut (M1) |
| 46 | 15500404000002 | Pipe Nut (M1) |
| 47 | 17401203000043 | Wire Assembly for Connect Outdoor to Indoor (M1) |
| 161 | 11002010000143 | Stepper motor (M1) |
| 163 | 12122000000038 | Louver Assembly (M1) |
| 164 | 12122000010098 | Left cover of chassis (M1) |
| 191 | 12122000004577 | Upper Cover Board of Electrical Control Box (M1) |
| 192 | 12122000004639 | Left Side Plate of Electrical Control Box (M1) |
| 193 | 12122000004632 | Right Side Plate of E-Parts Box (M1) |
| 194 | 17122000019549 | Indoor main control board assembly (M1) |
| 195 | 11201007000085 | Room Temperature Sensor (M1) |
| 196 | 11201007000322 | Temperature Sensor (M1) |
| 197 | 17400401000094 | Wire joint, 5p (M1) |

Expanded Model Nomenclature

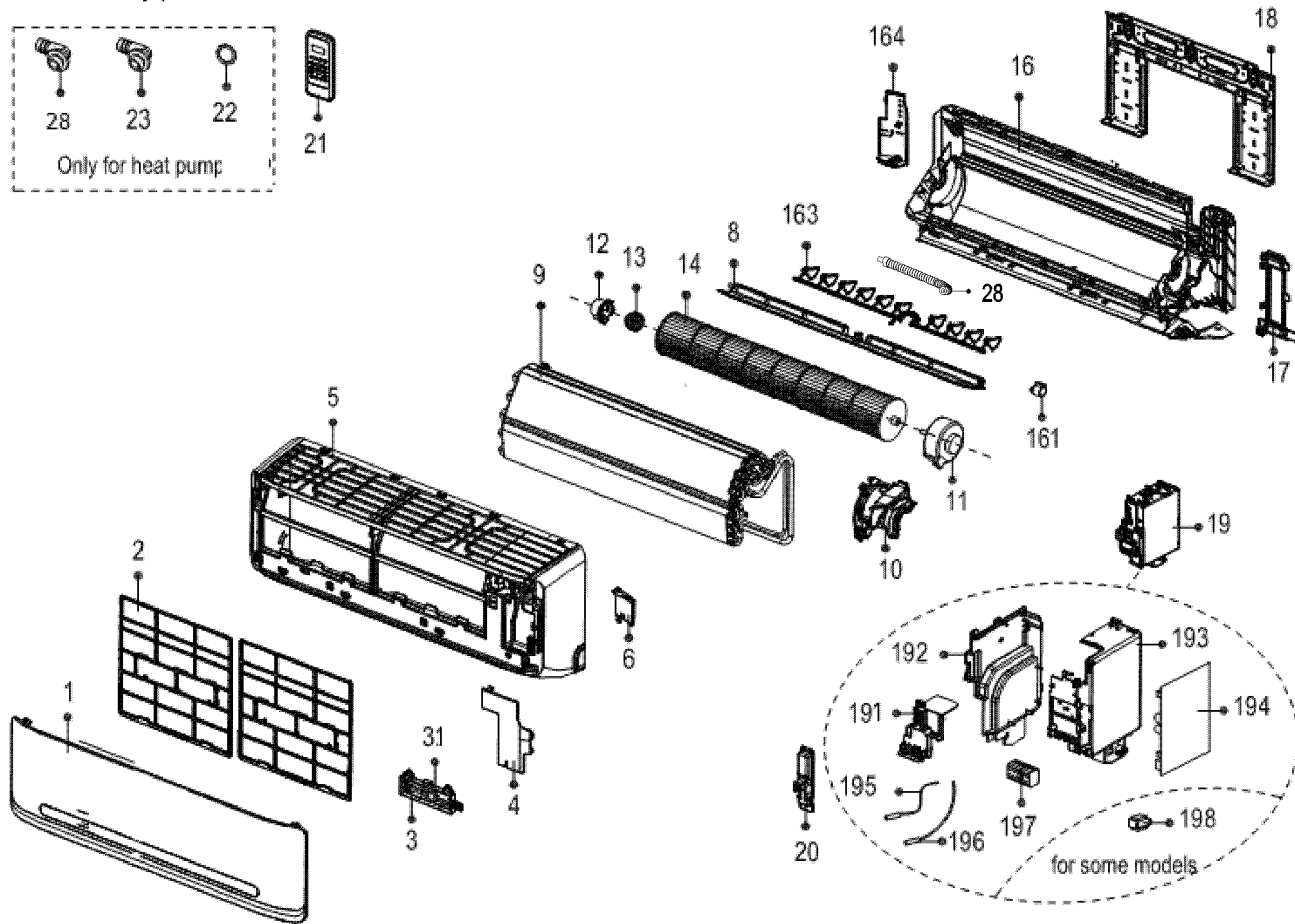
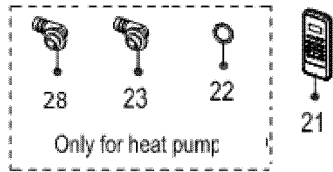
- | |
|--------------------|
| M1 - MSH093E21AXAA |
| M2 - MSH123E21AXAA |
| M3 - MSH183E21AXAA |
| M4 - MSH243E21AXAA |

NOTE: To order parts contact Branch 198, 288 or 214

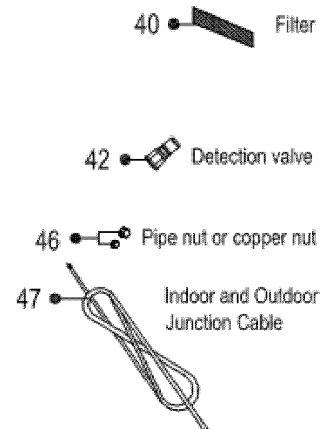
MSH123E21AX

MSH123E21AX

Accessory part



Optional part



MSH123E21AX

| Ref. Part No: | Part No: | Description: | Ref. Part No: | Part No: | Description: |
|---------------|----------|--------------|---------------|----------|--------------|
|---------------|----------|--------------|---------------|----------|--------------|

Image 1:

| | | |
|-----|----------------|--|
| 1 | 12122000A59102 | Panel assembly (M2) |
| 2 | 12100204000522 | Air Filter (M2) |
| 3 | 17222000A01265 | Indicator board assembly of Split Unit (M2) |
| 4 | 12122000006755 | Cover of electrical equipment (M2) |
| 5 | 12122000001726 | Frame assembly (M2) |
| 6 | 12122000004587 | Right Cover Plate of Chassis (M2) |
| 8 | 12122000005815 | Wind Guide Assembly (M2) |
| 9 | 15822000003601 | Evaporator assembly (M2) |
| 10 | 12122000005540 | Motor Bearing Cover (M2) |
| 11 | 11002015000051 | Brushless DC Motor (M2) |
| 12 | 12122000000350 | Beating base jacket (M2) |
| 13 | 12622000000006 | Beating base (M2) |
| 14 | 12100102000044 | Cross-flow Window Rotor. (M2) |
| 16 | 12122000011818 | Chassis assembly (M2) |
| 17 | 12122000012943 | Pipe clamp board (M2) |
| 18 | 12222000A00811 | Installation plate (M2) |
| 19 | 17222000009469 | Electronic control box assembly (M2) |
| 20 | 12122000005020 | Electrical Control Box Cover (M2) |
| 21 | 17317000A18400 | Remote controller (M2) |
| 22 | 12600701000039 | Seal ring (M2) |
| 23 | 12100509000061 | Drain hose (M2) |
| 28 | 12100501000032 | Drain Hose (M2) |
| 31 | 17122000006863 | Display Panel Subassembly(Sticker) (M2) |
| 40 | 12100204000685 | Air freshening filter (M2) |
| 42 | 15500209000001 | Detection valve (M2) |
| 46 | 15500406000012 | Copper nut (M2) |
| 46 | 15500406000016 | Copper nut (M2) |
| 46 | 15500404000009 | Plastic nut (M2) |
| 47 | 17401203000043 | Wire Assembly for Connect Outdoor to Indoor (M2) |
| 161 | 11002010000143 | Stepper motor (M2) |
| 163 | 12122000000038 | Louver Assembly (M2) |
| 164 | 12122000010098 | Left cover of chassis (M2) |
| 191 | 12122000004577 | Upper Cover Board of Electrical Control Box (M2) |
| 192 | 12122000004639 | Left Side Plate of Electrical Control Box (M2) |
| 193 | 12122000004632 | Right Side Plate of E-Parts Box (M2) |
| 194 | 17122000018850 | Indoor main control board assembly (M2) |
| 195 | 11201007000085 | Room Temperature Sensor (M2) |
| 196 | 11201007000322 | Temperature Sensor (M2) |
| 197 | 17400401000094 | Wire joint, 5p (M2) |

Expanded Model Nomenclature

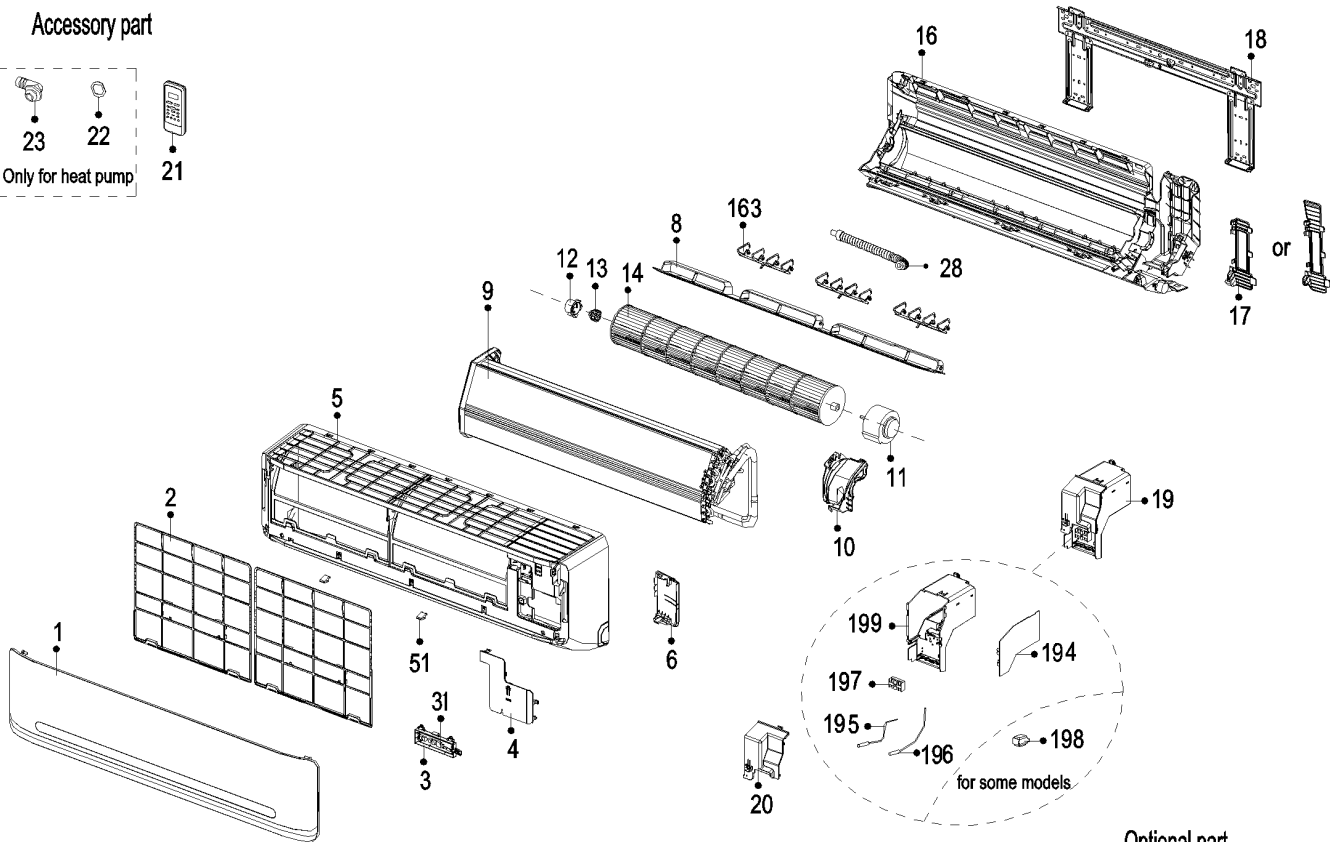
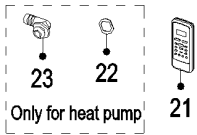
- | |
|--------------------|
| M1 - MSH093E21AXAA |
| M2 - MSH123E21AXAA |
| M3 - MSH183E21AXAA |
| M4 - MSH243E21AXAA |

NOTE: To order parts contact Branch 198, 288 or 214

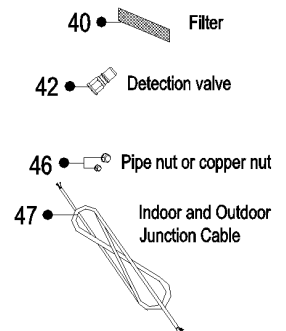
MSH183E21AX

MSH183E21AX

Accessory part



Optional part



MSH183E21AX

| Ref. Part No: | Part No: | Description: | Ref. Part No: | Part No: | Description: |
|---------------|----------|--------------|---------------|----------|--------------|
|---------------|----------|--------------|---------------|----------|--------------|

Image 1:

| | | |
|-----|----------------|--|
| 1 | 12122000A59103 | Panel assembly (M3) |
| 2 | 12100204000461 | Air Filter (M3) |
| 3 | 17222000009479 | E-Parts Box assembly of Split Indoor Unit (M3) |
| 3 | 17222000A01068 | Indicator board assembly of Split Unit (M3) |
| 4 | 12122000006733 | Cover of electrical equipment (M3) |
| 5 | 12122000001956 | Frame assembly (M3) |
| 6 | 12122000004608 | Right Cover Plate of Chassis (M3) |
| 8 | 12122000006335 | Wind Guide (M3) |
| 9 | 15822000003676 | Evaporator assembly Gas valve assembly (M3) |
| 10 | 12122000005512 | Motor Bearing Cover (M3) |
| 11 | 11002015000094 | Brushless DC Motor (M3) |
| 12 | 12122000000350 | Beating base jacket (M3) |
| 13 | 12622000000006 | Beating base (M3) |
| 14 | 12100102000018 | Cross-flow window rotor (M3) |
| 16 | 12122000011879 | Chassis assembly (M3) |
| 17 | 12122000012942 | Pipe clamp board (M3) |
| 18 | 12222000003595 | Installation Plate (M3) |
| 19 | 17222000009479 | E-Parts Box assembly of Split Indoor Unit (M3) |
| 20 | 12122000005024 | Electrical Control Box Cover (M3) |
| 21 | 17317000A18400 | Remote controller (M3) |
| 22 | 12600701000039 | Seal ring (M3) |
| 23 | 12100509000061 | Drain hose (M3) |
| 28 | 12100501000032 | Drain Hose (M3) |
| 31 | 17122000006863 | Display Panel Subassembly(Sticker) (M3) |
| 40 | 12100204000685 | Air freshening filter (M3) |
| 42 | 15500209000001 | Detection valve (M3) |
| 46 | 15500406000012 | Copper nut (M3) |
| 46 | 15500406000016 | Copper nut (M3) |
| 46 | 15500404000009 | plastic nut (M3) |
| 47 | 17401203000043 | Wire Assembly for Connect Outdoor to Indoor (M3) |
| 51 | 12122000008242 | Screw Cap (M3) |
| 194 | 17122000018869 | Indoor Main Control Board Subassembly (Sticker) (M3) |
| 195 | 11201007000085 | Room Temperature Sensor (M3) |
| 196 | 11201007000126 | Temperature Sensor (M3) |
| 197 | 17400401000006 | Wire holder (M3) |
| 199 | 12122000007845 | Electrical Control Box (M3) |

Expanded Model Nomenclature

| |
|--------------------|
| M1 - MSH093E21AXAA |
| M2 - MSH123E21AXAA |
| M3 - MSH183E21AXAA |
| M4 - MSH243E21AXAA |

NOTE: To order parts contact Branch 198, 288 or 214

MSH243E21AX

| Ref. Part No: | Description: | Ref. Part No: | Description: |
|-----------------|----------------|---------------|--|
| Image 1: | | | |
| 1 | 12122000A59103 | | Panel assembly (M4) |
| 2 | 12100204000461 | | Air Filter (M4) |
| 3 | 17222000A01068 | | Indicator board assembly of Split Unit (M4) |
| 4 | 12122000006733 | | Cover of electrical equipment (M4) |
| 5 | 12122000001956 | | frame assembly (M4) |
| 6 | 12122000004608 | | Right Cover Plate of Chassis (M4) |
| 8 | 12122000006335 | | Wind Guide (M4) |
| 9 | 15822000003638 | | Evaporator assembly Gas valve assembly (M4) |
| 10 | 12122000005512 | | Motor Bearing Cover (M4) |
| 11 | 11002015000094 | | Brushless DC Motor (M4) |
| 12 | 12122000000350 | | Beating base jacket (M4) |
| 13 | 12622000000006 | | Beating base (M4) |
| 14 | 12100102000018 | | Cross-flow window rotor (M4) |
| 16 | 12122000011879 | | Chassis assembly (M4) |
| 17 | 12122000012942 | | Pipe clamp board (M4) |
| 18 | 12222000003595 | | Installation Plate (M4) |
| 19 | 17222000009476 | | E-Parts Box assembly of Split Indoor Unit (M4) |
| 20 | 12122000005024 | | Electrical Control Box Cover (M4) |
| 21 | 17317000A18400 | | Remote controller (M4) |
| 22 | 12600701000039 | | Seal ring (M4) |
| 23 | 12100509000061 | | Drain hose (M4) |
| 28 | 12100501000032 | | Drain Hose (M4) |
| 31 | 17122000006863 | | Display Panel Subassembly(Sticker) (M4) |
| 40 | 12100204000685 | | Air freshening filter (M4) |
| 42 | 15500209000002 | | detection valve (M4) |
| 46 | 15500406000003 | | Copper net (M4) |
| 46 | 15500406000010 | | Copper nut (M4) |
| 46 | 15500404000005 | | Pipe Nut (M4) |
| 47 | 17401203000043 | | Wire Assembly for Connect Outdoor to Indoor (M4) |
| 51 | 12122000008242 | | Screw Cap (M4) |
| 194 | 17122000018862 | | Indoor main control board assembly (M4) |
| 195 | 11201007000085 | | Room Temperature Sensor (M4) |
| 196 | 11201007000126 | | Temperature Sensor (M4) |
| 197 | 17400401000006 | | Wire holder (M4) |
| 199 | 12122000007845 | | Electrical Control Box (M4) |

Expanded Model Nomenclature

- | |
|--------------------|
| M1 - MSH093E21AXAA |
| M2 - MSH123E21AXAA |
| M3 - MSH183E21AXAA |
| M4 - MSH243E21AXAA |

NOTE: To order parts contact Branch 198, 288 or 214