

# REPAIR PARTS

---

## MSG\*1W Outdoor Remote Condensing and Heat Pump

MSG09CRN1W  
MSG09HRN1W  
MSG12CRN1W  
MSG12HRN1W  
MSG18CRN1W  
MSG18HRN1W  
MSG24CRN1W  
MSG24HRN1W



This manual is to be used by qualified technicians only.

This manual replaces RP-458.

© 2007,2014 Goodman Manufacturing Company, L.P. ♦ 5151 San Felipe, Suite 500 ♦ Houston, TX 77056

# Important Information

---

## Index

Functional Parts List .....	3
Illustration and Parts .....	4 - 7

*Views shown are for parts illustrations only, not servicing procedures*

2-18-14: Updated control board

### Text Codes:

AR - As Required

NA - Not Available

NS - Not Shown

00000000 - See Note

QTY - Quantity Example (QTY 3) (If Quantity not shown, Quantity = 1)

M - Model Example (M1) (If M Code not shown, then part is used on all Models)

### Expanded Model Nomenclature:

Example M1 - Model#1 M2 - Model#2 M3 - Model#3
---

Goodman Manufacturing Company, L.P. is not responsible for personal injury or property damage resulting from improper service. Review all service information before beginning repairs.

Warranty service must be performed by an authorized technician, using authorized factory parts. If service is required after the warranty expires, Goodman Manufacturing Company, L.P. also recommends contacting an authorized technician and using authorized factory parts.

Goodman Manufacturing Company, L.P. reserves the right to discontinue, or change at any time, specifications or designs without notice or without incurring obligations.

For assistance within the U.S.A. contact:  
Consumer Affairs Department  
Goodman Manufacturing Company, L.P.  
7401 Security Way  
Houston, Texas 77040  
877-254-4729-Telephone  
713-863-2382-Facsimile

For assistance outside the U.S.A. contact:  
International Division  
Goodman Manufacturing Company, L.P.  
7401 Security Way  
Houston, Texas 77040  
713-861-2500-Telephone  
713-863-2382-Facsimile

# Functional Parts

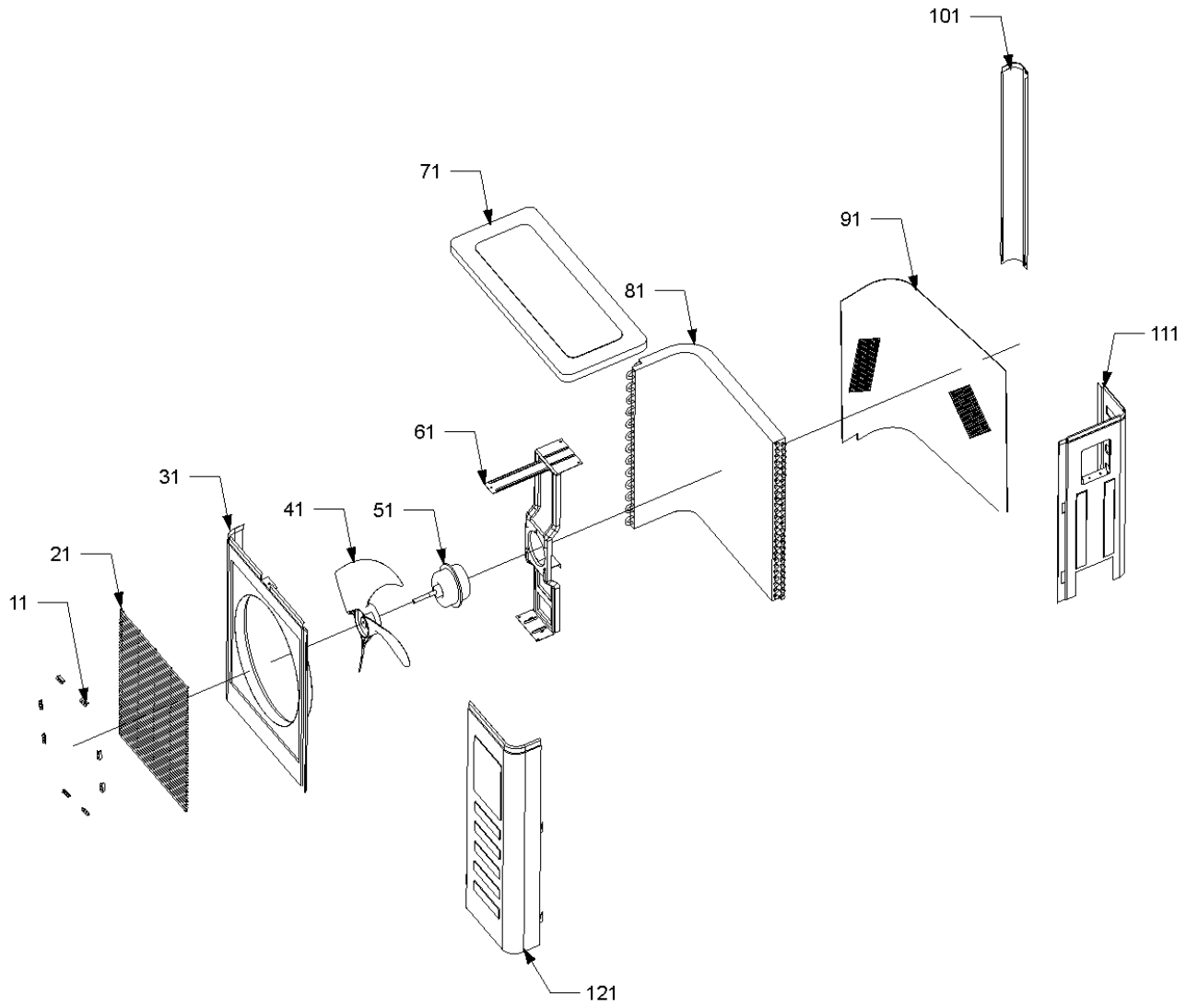
**Part No:**      **Description:**

2160100104	ACCUMULATOR (M7, M8)
2240109017	CAPACITOR (COMPRESSOR) (M7, M8)
2240100751	CAPACITOR (COMPRESSOR) (M1)
2240100610	CAPACITOR (COMPRESSOR) (M2, M3)
202401000602	CAPACITOR (COMPRESSOR) (M4)
2240109012	CAPACITOR (COMPRESSOR) (M5, M6)
202401190010	CAPACITOR (FAN MOTOR) (M1)
202401190014	CAPACITOR (FAN MOTOR) (M4)
2240110351	CAPACITOR (FAN MOTOR) (M5, M6)
2240110404	CAPACITOR (FAN MOTOR) (M7, M8)
202401190014	CAPACITOR (FAN MOTOR) (M2, M3)
2140063370	COMPRESSOR (M5, M6)
201400630510	COMPRESSOR (M7, M8)
2140063360	COMPRESSOR (M2, M3, M4)
2140063340	COMPRESSOR (M1)
2153809003	CONDENSER (M8)
2153809001	CONDENSER (M7)
2153739002	CONDENSER (M1)
2153549031	CONDENSER (M6)
2153539008	CONDENSER (M5)
2153529100	CONDENSER (M4)
2153529110	CONDENSER (M2, M3)
2244120200	CONDENSER TEMPERATURE SENSOR (M6, M8)
2244050006	CONDENSER TEMPERATURE SENSOR (M4)
2230085004	CONTACTOR (M5, M6, M7, M8)
2133529202	CONTROL BOARD (M1)
2133549111	CONTROL BOARD (M5, M7)
201337590001	CONTROL BOARD (M3)
2133759002	CONTROL BOARD (M4)
201337990050	CONTROL BOARD (M6, M8)
2133739001	CONTROL BOARD (M2)
202400490020	FAN MOTOR (M1)
2240040717	FAN MOTOR (M2, M3, M4)
2240041715	FAN MOTOR (M5, M6)
202400430113	FAN MOTOR (M7, M8)
2160074523	HIGH PRESSURE VALVE (M2, M3, M4)
2160074297	HIGH PRESSURE VALVE (M7, M8)
2160074522	HIGH PRESSURE VALVE (M1, M5, M6)
2160072018	LOW PRESSURE VALVE (M1)
2160072397	LOW PRESSURE VALVE (M7, M8)
2160072617	LOW PRESSURE VALVE (M6)
2160072618	LOW PRESSURE VALVE (M2, M3, M4)
2163789059	LOW PRESSURE VALVE (M5)
2240219143	OVERCURRENT PROTECTOR (M1)
2230145035	OVERCURRENT PROTECTOR (M5, M6, M7, M8)
201600690009	REVERSING VALVE (M4)
2160069011	REVERSING VALVE (M6, M8)
2163809085	REVERSING VALVE (M8)
2230090080	TRANSFORMER (M6, M7, M8)

Expanded Model Nomenclature

M1 - MSG09CRN1W
M2 - MSG09HRN1W
M3 - MSG12CRN1W
M4 - MSG12HRN1W
M5 - MSG18CRN1W
M6 - MSG18HRN1W
M7 - MSG24CRN1W
M8 - MSG24HRN1W

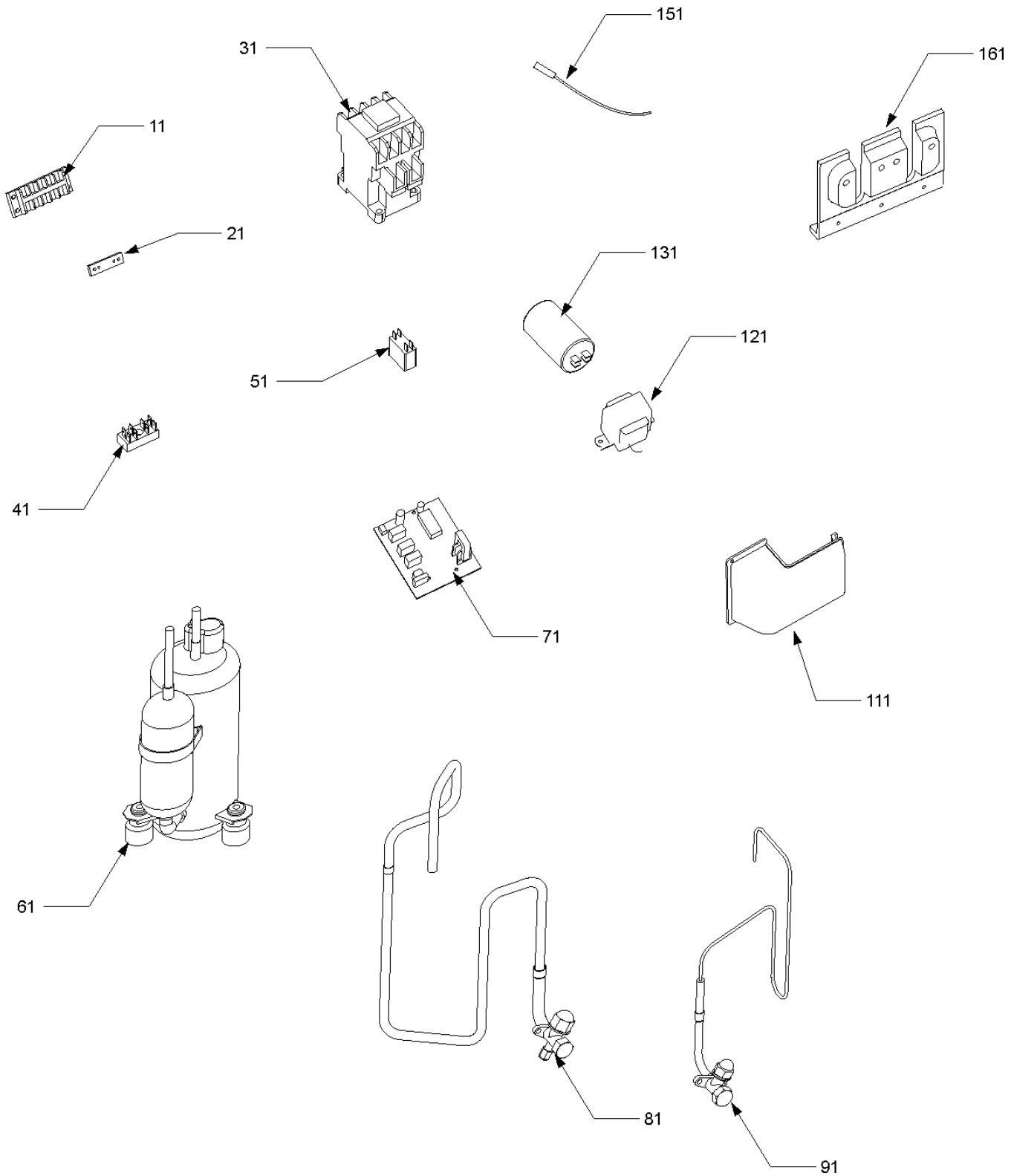
# Unit Assembly



# Unit Assembly

Ref. Part No:	No:	Description:	Ref. Part No:	No:	Description:
<i>Image 1:</i>			Expanded Model Nomenclature		
11	2113511801	FRONT GRILLE CLAMPS (QTY AR)	M1	-	MSG09CRN1W
21	2123510023	FRONT GRILLE (M2, M3, M4)	M2	-	MSG09HRN1W
21	2123510023	FRONT GRILLE (M1)	M3	-	MSG12CRN1W
21	2124550017	FRONT GRILLE (M5, M6, M7, M8)	M4	-	MSG12HRN1W
31	201245320937	FRONT PANEL (M7, M8)	M5	-	MSG18CRN1W
31	2123525264	FRONT PANEL (M1)	M6	-	MSG18HRN1W
31	2123527248	FRONT PANEL (M2, M3, M4)	M7	-	MSG24CRN1W
31	2124550037	FRONT PANEL (M5, M6)	M8	-	MSG24HRN1W
41	201100300202	FAN BLADE (M7, M8)			
41	201100300502	FAN BLADE (M1, M2, M3, M4)			
41	2114550002	FAN BLADE (M5, M6)			
51	202400430113	FAN MOTOR (M7, M8)			
51	202400490020	FAN MOTOR (M1)			
51	2240040717	FAN MOTOR (M2, M3, M4)			
51	2240041715	FAN MOTOR (M5, M6)			
61	2123525223	FAN BRACKET (M1)			
61	2123527232	FAN BRACKET (M2, M3)			
61	2123527263	FAN BRACKET (M4)			
61	2123549027	FAN BRACKET (M7, M8)			
61	2124550020	FAN BRACKET (M5, M6)			
71	2123525265	TOP COVER (M1)			
71	2123527249	TOP COVER (M2, M3, M4)			
71	2124532936	TOP COVER (M7, M8)			
71	2124550031	TOP COVER (M5, M6)			
81	2153529100	CONDENSER (M4)			
81	2153529110	CONDENSER (M2, M3)			
81	2153539008	CONDENSER (M5)			
81	2153549031	CONDENSER (M6)			
81	2153739002	CONDENSER (M1)			
81	2153809001	CONDENSER (M7)			
81	2153809003	CONDENSER (M8)			
91	2113522361	REAR GRILLE (M1)			
91	2113527206	REAR GRILLE (M2, M3)			
91	2113527207	REAR GRILLE (M4)			
91	2114532902	REAR GRILLE (M7, M8)			
91	2114550004	REAR GRILLE (M5, M6)			
101	2123527250	LEFT PANEL (M2, M3, M4)			
101	2124530063	LEFT PANEL (M7, M8)			
101	2124550032	LEFT PANEL (M5, M6)			
111	2123549046	REAR PANEL (M5, M6)			
111	2123549047	REAR PANEL (M7, M8)			
121	2123529218	RIGHT PANEL (M1)			
121	2123759003	RIGHT PANEL (M4)			
121	2124524051	RIGHT PANEL (M2, M3)			
121	2124532903	RIGHT PANEL (M7, M8)			
121	2124551101	RIGHT PANEL (M5, M6)			

# Unit Assembly



# Unit Assembly

Ref. Part No:	No:	Description:	Ref. Part No:	No:	Description:
<i>Image 1:</i>			Expanded Model Nomenclature		
11	2230145099	TERMINAL BLOCK (M5, M6, M7, M8)	M1	-	MSG09CRN1W
11	2230145106	TERMINAL BLOCK (M1, M4)	M2	-	MSG09HRN1W
11	2230145118	TERMINAL BLOCK (M2, M3)	M3	-	MSG12CRN1W
21	2113500004	TERMINAL BLOCK WASHER	M4	-	MSG12HRN1W
31	2230085004	CONTACTOR (M5, M6, M7, M8)	M5	-	MSG18CRN1W
51	2230090080	TRANSFORMER (M6, M7, M8)	M6	-	MSG18HRN1W
61	201400630510	COMPRESSOR (M7, M8)	M7	-	MSG24CRN1W
61	2140063340	COMPRESSOR (M1)	M8	-	MSG24HRN1W
61	2140063360	COMPRESSOR (M2, M3, M4)			
61	2140063370	COMPRESSOR (M5, M6)			
71	201337590001	CONTROL BOARD (M3)			
71	201337990050	CONTROL BOARD (M6, M8)			
71	2133529202	CONTROL BOARD (M1)			
71	2133549111	CONTROL BOARD (M5, M7)			
71	2133739001	CONTROL BOARD (M2)			
71	2133759002	CONTROL BOARD (M4)			
81	2160072018	LOW PRESSURE VALVE (M1)			
81	2160072397	LOW PRESSURE VALVE (M7, M8)			
81	2160072617	LOW PRESSURE VALVE (M6)			
81	2160072618	LOW PRESSURE VALVE (M2, M3, M4)			
81	2163789059	LOW PRESSURE VALVE (M5)			
91	2160074297	HIGH PRESSURE VALVE (M7, M8)			
91	2160074522	HIGH PRESSURE VALVE (M1, M5, M6)			
91	2160074523	HIGH PRESSURE VALVE (M2, M3, M4)			
111	201135490001	DRAIN PAN (M7, M8)			
111	2113527201	DRAIN PAN (M2, M3, M4)			
111	2113529005	DRAIN PAN (M1, M5, M6)			
121	202401190010	CAPACITOR (FAN MOTOR) (M1)			
121	202401190014	CAPACITOR (FAN MOTOR) (M2, M3)			
121	202401190014	CAPACITOR (FAN MOTOR) (M4)			
121	2240110351	CAPACITOR (FAN MOTOR) (M5, M6)			
121	2240110404	CAPACITOR (FAN MOTOR) (M7, M8)			
131	202401000602	CAPACITOR (COMPRESSOR) (M4)			
131	2240100610	CAPACITOR (COMPRESSOR) (M2, M3)			
131	2240100751	CAPACITOR (COMPRESSOR) (M1)			
131	2240109012	CAPACITOR (COMPRESSOR) (M5, M6)			
131	2240109017	CAPACITOR (COMPRESSOR) (M7, M8)			
151	2244050006	CONDENSER TEMPERATURE SENSOR (M4)			
151	2244120200	CONDENSER TEMPERATURE SENSOR (M6, M8)			
151	2230145035	OVERCURRENT PROTECTOR (M5, M6, M7, M8)			
151	2240219143	OVERCURRENT PROTECTOR (M1)			
161	2123500018	VALVE PLATE (M1, M5, M6)			
161	2123512614	VALVE PLATE (M2, M3, M4)			
161	2124537923	VALVE PLATE (M7, M8)			
NS	2160100104	ACCUMULATOR (M7, M8)			
NS	201600690009	REVERSING VALVE (M4)			
NS	2160069011	REVERSING VALVE (M6, M8)			
NS	2163809085	REVERSING VALVE (M8)			