

# REPAIR PARTS

---

## MSC / MSH Indoor Remote Cooling and Heat Pump Unit

MSC092E15AXAA  
MSC093E15AXAA  
MSC123E15AXAA  
MSC183E15AXAA  
MSC243E15AXAA  
MSH092E15AXAA  
MSH123E15AXAA  
MSH183E15AXAA  
MSH243E15AXAA



THIS MANUAL TO BE USED FOR REFERENCE ONLY

Note: To order parts contact Branch 198, 288 or 214

This manual is to be used by qualified technicians only.

This manual replaces RP-762.

© 2013 , 2017 Goodman Manufacturing Company, L.P. ♦ 5151 San Felipe St., Suite 500 ♦ Houston, TX 77056

# Important Information

---

## Index

Functional Parts List .....	3
Illustration and Parts .....	4 - 9

*Views shown are for parts illustrations only, not servicing procedures*

NOTE: To order parts contact Branch 198, 288 or 214

### Text Codes:

AR - As Required

NA - Not Available

NS - Not Shown

00000000 - See Note

QTY - Quantity Example (QTY 3) (If Quantity not shown, Quantity = 1)

M - Model Example (M1) (If M Code not shown, then part is used on all Models)

### Expanded Model Nomenclature:

Example M1 - Model#1 M2 - Model#2 M3 - Model#3
---

Goodman Manufacturing Company, L.P. is not responsible for personal injury or property damage resulting from improper service. Review all service information before beginning repairs.

Warranty service must be performed by an authorized technician, using authorized factory parts. If service is required after the warranty expires, Goodman Manufacturing Company, L.P. also recommends contacting an authorized technician and using authorized factory parts.

Goodman Manufacturing Company, L.P. reserves the right to discontinue, or change at any time, specifications or designs without notice or without incurring obligations.

For assistance within the U.S.A. contact:  
Homeowner Support  
Goodman Manufacturing Company, L.P.  
19001 Kermier Road  
Waller, Texas 77484  
877-254-4729-Telephone  
713-863-2382-Facsimile

For assistance outside the U.S.A. contact:  
International Division  
Goodman Manufacturing Company, L.P.  
19001 Kermier Road  
Waller, Texas 77484  
713-861-2500-Telephone  
713-863-2382-Facsimile

# Functional Parts

## Part

## No: Description:

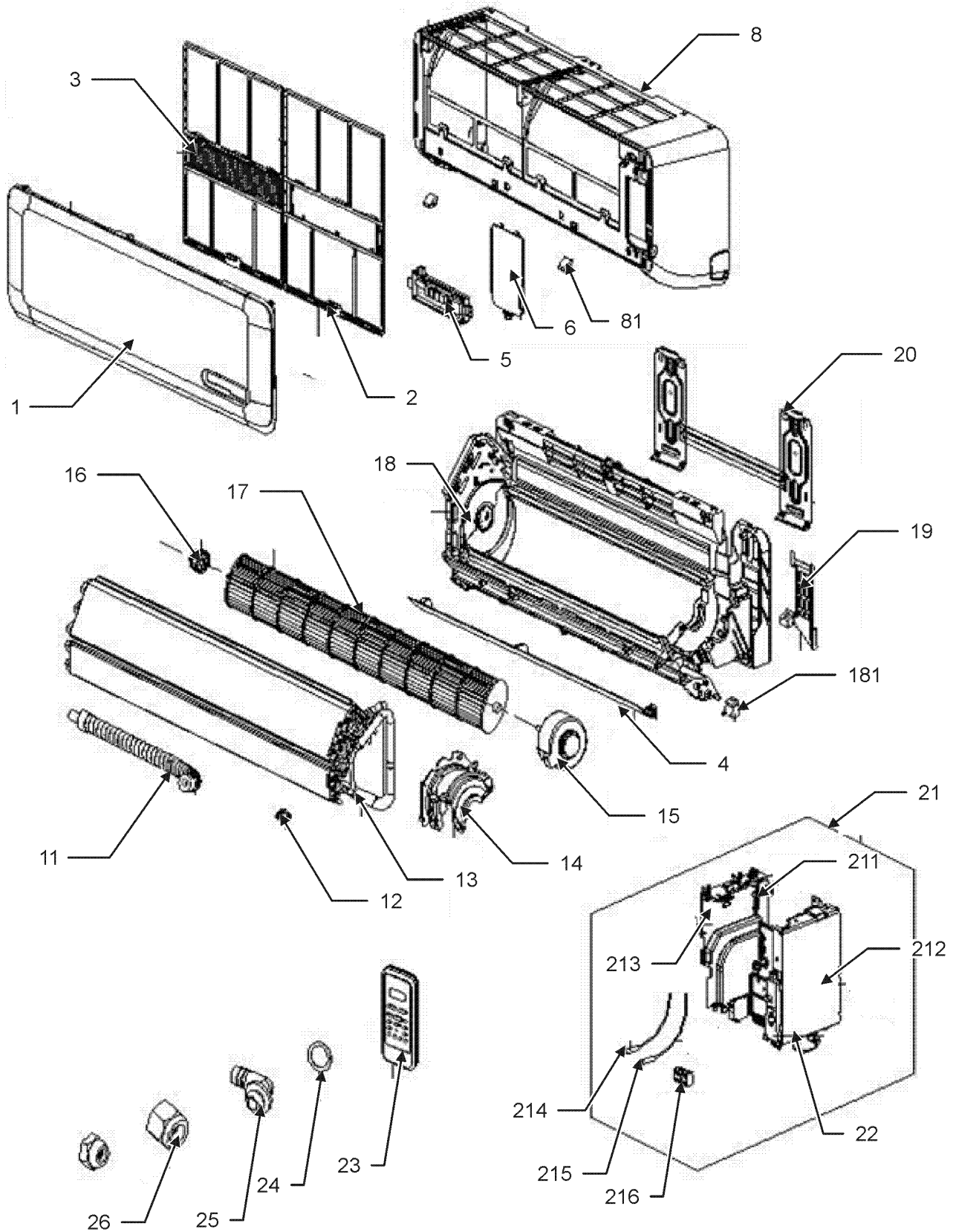
---

202433190000	Ambient temperature sensor assembly (M1, M3, M4, M5, M6, M9)
202432390005	Ambient temperature sensor assembly (M7, M8)
202400401262	Asynchronous motor (M5, M9)
202400300419	Asynchronous motor (M4, M8)
202400300417	Asynchronous motor (M1)
202400300137	Asynchronous motor (M7)
202400300136	Asynchronous motor (M6)
202400200120	Louver motor (M5, M9)
202400200031	Louver motor (M1, M3, M4, M6, M7, M8)
11201007000322	Pipe Temperature Sensor (M2)
202301300584	Pipe temperature sensor assembly (M1, M3, M4, M6, M7, M8)
202301300080	Pipe temperature sensor assembly (M5, M9)
11201007000088	Room Temperature Sensor (M2)
11002012001871	Single phase asynchronous motor (M2)
202300900099	Transformer (M5)

### Expanded Model Nomenclature

M1 - MSC092E15AXAA
M2 - MSC093E15AXAA
M3 - MSC123E15AXAA
M4 - MSC183E15AXAA
M5 - MSC243E15AXAA
M6 - MSH092E15AXAA
M7 - MSH123E15AXAA
M8 - MSH183E15AXAA
M9 - MSH243E15AXAA

MSC / MSH (092,123, 183)



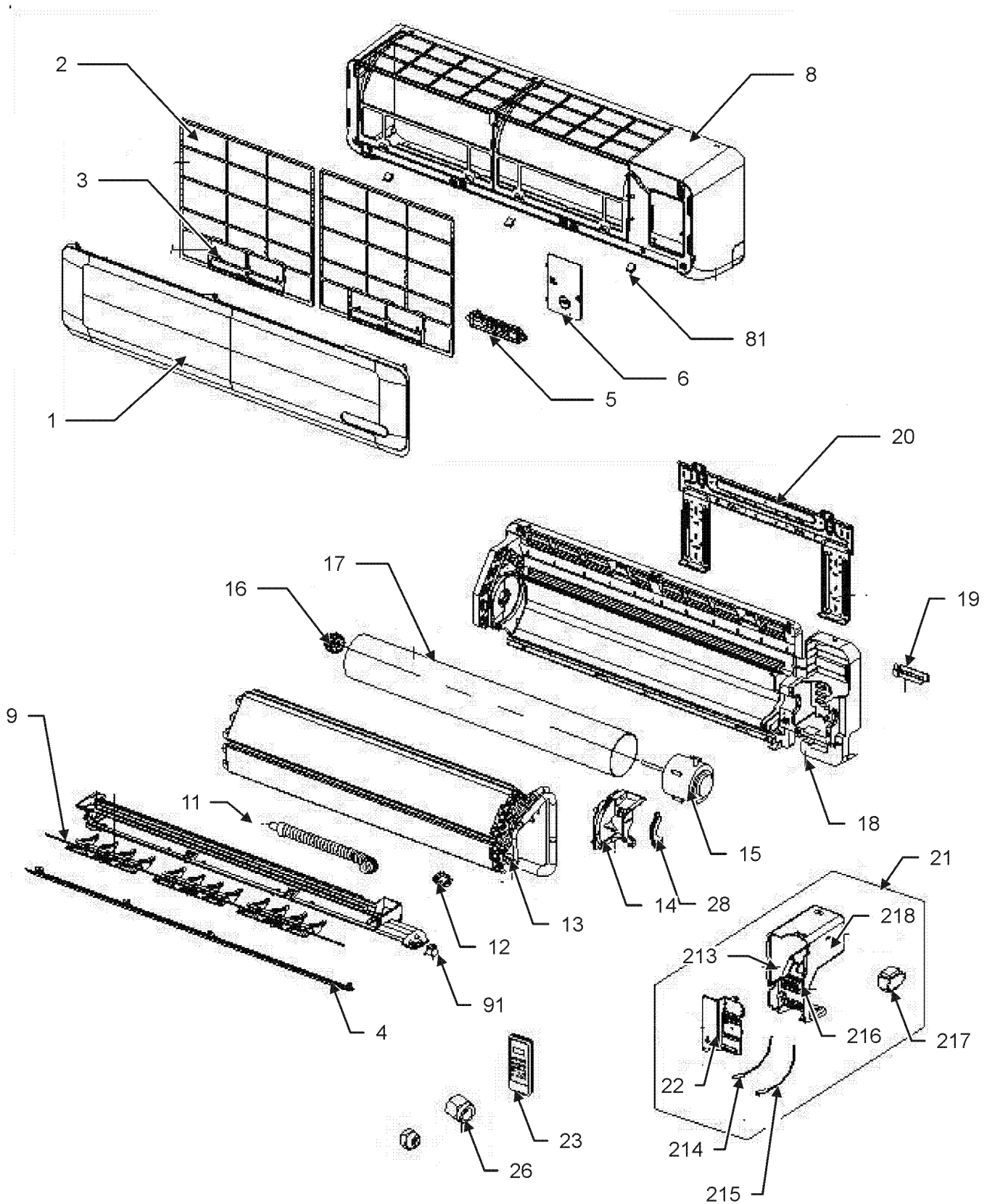
# MSC / MSH (092,123, 183)

Ref. Part No:	Ref. Part No:	Description:	Description:
<b>Image 1:</b>		<b>Image 1:</b>	
1	201132391050	Panel assembly (M1, M6)	213 201332391528 Main control board assembly (M1)
1	201132490135	Panel assembly (M3, M7)	213 201332590943 Main control board assembly (M3)
1	201132790646	Panel assembly (M4, M8)	213 201332590944 Main control board assembly (M7)
2	201132391045	Air filter (M1, M6)	213 201332590945 Main control board assembly (M4)
2	201132490130	Air filter (M3, M7)	213 201332590946 Main control board assembly (M8)
2	201132790644	Air filter (M4, M8)	214 202432390005 Ambient temperature sensor assembly (M7, M8)
3	201131410703	Air cleaner (M1, M3, M4, M6, M7, M8)	214 202433190000 Ambient temperature sensor assembly (M1, M3, M4, M6)
4	201132391046	Horizontal louver (M1, M6)	
4	201132490131	Horizontal louver (M3, M7)	215 202301300584 Pipe temperature sensor assembly (M1, M3, M4, M6, M7, M8)
4	201132790643	Horizontal louver (M4, M8)	
5	203332590981	Display box assembly (M1, M3, M4)	216 202301400073 Wire joint (M4, M8)
5	203332590982	Display box assembly (M6, M7, M8)	216 202301450119 Wire joint (M1, M3, M6, M7)
6	201119900948	Cover of indoor electronic control box (M1, M3, M4, M6, M7, M8)	
8	201132391047	Panel frame assembly (M1, M6)	
8	201132490134	Panel frame assembly (M3, M7)	
8	201132790641	Panel frame assembly (M4, M8)	
11	201101020038	Drain hose (M1, M3, M4, M6, M7, M8)	
12	201102000305	Fix clamp of temperature sensor (M1, M3, M4, M6, M7, M8)	
13	201532390187	Evaporator assembly (M1, M6)	
13	201532490051	Evaporator assembly (M3, M7)	
13	201532790079	Evaporator assembly (M4, M8)	
14	201132490127	Fan motor cover (M1, M3, M6, M7)	
14	201132790645	Fan motor cover (M4, M8)	
15	202400300136	Asynchronous motor (M6)	
15	202400300137	Asynchronous motor (M3, M7)	
15	202400300417	Asynchronous motor (M1)	
15	202400300419	Asynchronous motor (M4, M8)	
16	202719900606	Bearing base (M1, M3, M4, M6, M7, M8)	
17	201100200050	Cross flow fan (M1, M6)	
17	201100200051	Cross flow fan (M3, M7)	
17	201100200052	Cross flow fan (M4, M8)	
18	201132391049	Chassis assembly (M1, M6)	
18	201132490133	Chassis assembly (M3, M7)	
18	201132790642	Chassis assembly (M4, M8)	
19	201119900949	Pipe clamp board (M1, M3, M4, M6, M7, M8)	
20	201232390028	Installation plate (M1, M6)	
20	201232490004	Installation plate (M3, M7)	
20	201232790011	Installation plate (M4, M8)	
21	203332391055	Electronic control box assembly (M6)	
21	203332391077	Electronic control box assembly (M1)	
21	203332591083	Electronic control box assembly (M3)	
21	203332591084	Electronic control box assembly (M7)	
21	203332591085	Electronic control box assembly (M4)	
21	203332591086	Electronic control box assembly (M8)	
22	201132490126	Cover of electronic control box (M1, M3, M4, M6, M7, M8)	
23	203355091469	Remote Controller (M1, M3, M4, M6, M7, M8)	
24	202720090001	Seal ring (M1, M3, M6, M7, M8)	
25	201101020011	Drain connector (M1, M3, M6, M7, M8)	
26	201600330001	Nut (M1, M3, M6, M7, M8)	
26	201600330002	Nut (M1, M3, M6, M7)	
26	201600330003	Nut (M4, M8)	
81	201119900950	Screw cap (M1, M3, M4, M6, M7, M8)	
181	202400200031	Louver motor (M1, M3, M4, M6, M7, M8)	
211	201132490125	Electronic control box I (M1, M3, M4, M6, M7, M8)	
212	201132490124	Electronic control box II (M1, M3, M4, M6, M7, M8)	
213	201332391405	Main control board assembly (M6)	

**Expanded Model Nomenclature**

M1 - MSC092E15AXAA
M2 - MSC093E15AXAA
M3 - MSC123E15AXAA
M4 - MSC183E15AXAA
M5 - MSC243E15AXAA
M6 - MSH092E15AXAA
M7 - MSH123E15AXAA
M8 - MSH183E15AXAA
M9 - MSH243E15AXAA

NOTE: To order parts contact Branch 198, 288 or 214



# MSC / MSH 243

Ref. Part No:	Ref. Part No:	Description:	Description:
<b>Image 1:</b>			
1	201133090983	Panel assembly (M5, M9)	
2	201133090979	Air filter (M5, M9)	
3	201131410703	Air cleaner (M5, M9)	
4	201133090987	Horizontal louver (M5, M9)	
5	203332590981	Display box assembly (M5)	
5	203332590982	Display box assembly (M9)	
6	201133090982	Cover of indoor electronic control box (M5, M9)	
8	201133090985	Panel frame assembly (M5, M9)	
9	201133090978	Air outlet assembly (M5, M9)	
11	201101020038	Drain hose (M5, M9)	
12	201102000305	Fix clamp of temperature sensor (M5, M9)	
13	201533090118	Evaporator assembly (M5, M9)	
14	201133090980	Fan motor cover (M5, M9)	
15	202400401262	Asynchronous motor (M5, M9)	
16	202719900606	Bearing base (M5, M9)	
17	201100200053	Cross flow fan (M5, M9)	
18	201133090986	Chassis assembly (M5, M9)	
19	201232800001	Pipe clamp board (M5, M9)	
20	201232590038	Installation plate (M5, M9)	
21	203333090452	Electronic control box assembly (M5)	
21	203333090453	Electronic control box assembly (M9)	
22	201133090981	Cover of electronic control box (M5, M9)	
23	203355091469	Remote Controller (M5, M9)	
24	202720090001	Seal ring (M9)	
25	201101020011	Drain connector (M9)	
26	201600330002	Nut (M5, M9)	
26	201600330004	Nut (M5, M9)	
28	201133090167	Fixing board of fan motor (M5, M9)	
81	201119900950	Screw cap (M5, M9)	
91	202400200120	Louver motor (M5, M9)	
213	201333090654	Main control board assembly (M5)	
213	201333090655	Main control board assembly (M9)	
214	202433190000	Ambient temperature sensor assembly (M5, M9)	
215	202301300080	Pipe temperature sensor assembly (M5, M9)	
216	202301400073	Wire joint (M5, M9)	
217	202300900099	Transformer (M5, M9)	
218	201133090976	Electronic control box (M5, M9)	

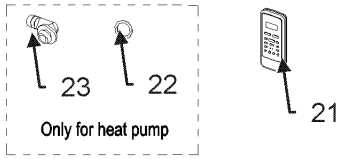
## Expanded Model Nomenclature

M1 - MSC092E15AXAA
M2 - MSC093E15AXAA
M3 - MSC123E15AXAA
M4 - MSC183E15AXAA
M5 - MSC243E15AXAA
M6 - MSH092E15AXAA
M7 - MSH123E15AXAA
M8 - MSH183E15AXAA
M9 - MSH243E15AXAA

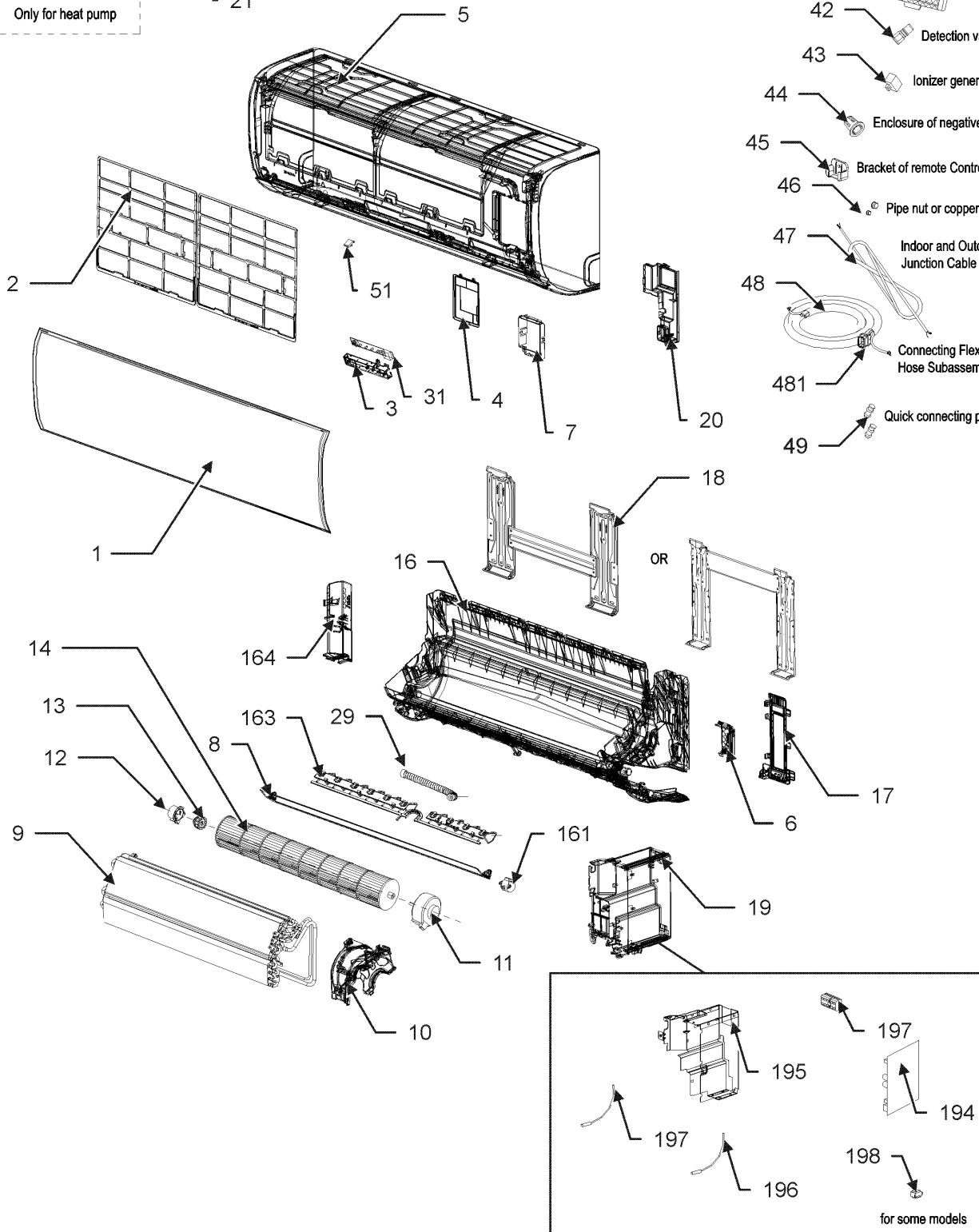
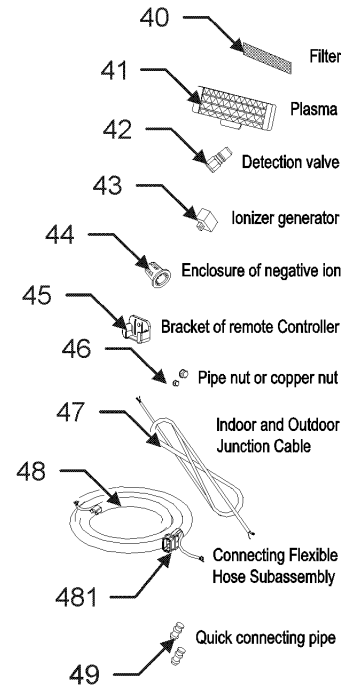
NOTE: To order parts contact Branch 198, 288 or 214

# MSC093

## Accessory part



## Optional part



# MSC093

Ref. Part No:	Part No:	Description:	Ref. Part No:	Part No:	Description:
---------------	----------	--------------	---------------	----------	--------------

**Image 1:**

1	12122000013133	Panel assembly (M2)
2	12122000015223	Air filter (M2)
3	17222000011249	Display box subassembly (M2)
4	12122000013131	Cover of electrical equipment (M2)
5	12122000013137	Panel frame assembly (M2)
6	12122000013140	Front cover of chassis (M2)
7	12122000013141	Cover electrical equipment subassembly (M2)
8	12122000013127	Horizontal louver assembly (M2)
9	15822000007556	Evaporator Assembly (M2)
10	12122000013129	Fan motor cover (M2)
11	11002012001871	Single phase asynchronous motor (M2)
12	12122000000350	Bearing holder (M2)
13	12622000000006	Bearing base (M2)
14	12100102000156	Cross flow fan (M2)
16	12122000014664	Chassis assembly (M2)
17	12122000013136	pipe clamp board (M2)
18	12222000005844	Installation Plate (M2)
19	17222000016410	Electronic control box (Mid-and low-end) (M2)
20	12122000013132	Cover electronic control box subassembly (M2)
21	17317000001294	Remote controller (M2)
29	12100501000032	Drain Hose (M2)
31	17122000022028	Display board subassembly (M2)
40	12100204000685	air fresh filter (M2)
46	15500406000010	Copper nut (M2)
46	15500406000016	Copper nut (M2)
51	12122000013139	Screw cap (M2)
161	11002010000143	stepper motor (M2)
163	12122000013761	Horizontal louver (M2)
164	12122000013123	Front cover of chassis (M2)
194	17122000028031	Main control board subassembly (M2)
195	12122000013001	Electronic control box subassembly (M2)
196	11201007000322	Pipe Temperature Sensor (M2)
197	17400401000006	Wire joint (M2)
199	11201007000088	Room Temperature Sensor (M2)

**Expanded Model Nomenclature**

- M1 - MSC092E15AXAA
- M2 - MSC093E15AXAA
- M3 - MSC123E15AXAA
- M4 - MSC183E15AXAA
- M5 - MSC243E15AXAA
- M6 - MSH092E15AXAA
- M7 - MSH123E15AXAA
- M8 - MSH183E15AXAA
- M9 - MSH243E15AXAA

NOTE: To order parts contact Branch 198, 288 or 214