



REPAIR PARTS

MPE Series Heat Pumps

MPE24-1
MPE30-1
MPE36-1
MPE42-1
MPE48-1

This manual is to be used by qualified technicians only.

© 1992-2008 Goodman Manufacturing Company, L.P. ♦ 5151 San Felipe, Suite 500 ♦ Houston, TX 77056

Important Information

Index

Functional Parts List	3
Illustration and Parts	4 - 7

Views shown are for parts illustrations only, not servicing procedures.

Text Codes:

AR - As Required

NA - Not Available

NS - Not Shown

00000000 - See Note

QTY - Quantity Example (QTY 3) (If Quantity not shown, Quantity = 1)

M - Model Example (M1) (If M Code not shown, then part is used on all Models)

Expanded Model Nomenclature:

Example M1 - Model#1 M2 - Model#2 M3 - Model#3

Goodman Manufacturing Company, L.P. is not responsible for personal injury or property damage resulting from improper service. Review all service information before beginning repairs.

Warranty service must be performed by an authorized technician, using authorized factory parts. If service is required after the warranty expires, Goodman Manufacturing Company, L.P. also recommends contacting an authorized technician and using authorized factory parts.

Goodman Manufacturing Company, L.P. reserves the right to discontinue, or change at any time, specifications or designs without notice or without incurring obligations.

For assistance within the U.S.A. contact:
Consumer Affairs Department
Goodman Manufacturing Company, L.P.
7401 Security Way
Houston, Texas 77040
877-254-4729-Telephone
713-863-2382-Facsimile

For assistance outside the U.S.A. contact:
International Division
Goodman Manufacturing Company, L.P.
7401 Security Way
Houston, Texas 77040
713-861-2500-Telephone
713-863-2382-Facsimile

Functional Parts

Part

No: **Description:**

CAP050300370RSS	CAPACITOR 5/30/370V (M1)
CAP050350370RSS	CAPACITOR 5/35/370V (M2)
CAP050350440RSS	CAPACITOR 5/35/440V [CONTROL BOX] (M4)
CAP050400440RTS	CAPACITOR 5/40/440V (M5)
CAP050450370RSS	CAPACITOR 5/45/370V [CONTROL BOX] (M3)
CR22K6PFV960	COMPRESSOR 22100, 208/230/60/1 (M1)
CR30K6PFV960	COMPRESSOR 30000, 208/230/60/1 (M2)
CR35K6PFV960	COMPRESSOR 35000, 208/230/60/1 (M3)
CR38K6PFV960	COMPRESSOR 38200, 208/230/60/1 (M4)
B9266201AS	COMPRESSOR H23A423ABCA (M5)
0131M00008PS	COND MOTOR 1/3 HP, 1 SP, 6 PL (M5)
0131M00007PS	COND MOTOR 1/4 HP, 1 SP, 8 PL (M4)
B13400251S	COND MOTOR 1/6 HP, 1 SP, 8 PL (M1, M2, M3)
CONT2P025024VS	CONTACTOR 25 AMP, 2P, 24V
B1243733	CRANKCASE HEATER (M4, M5)
B1360719	CUT-OUT SWITCH, LOW PRESSURE
PCBDM101S	DEFROST CONTROL BOARD
B1370803	DEFROST THERMOSTAT

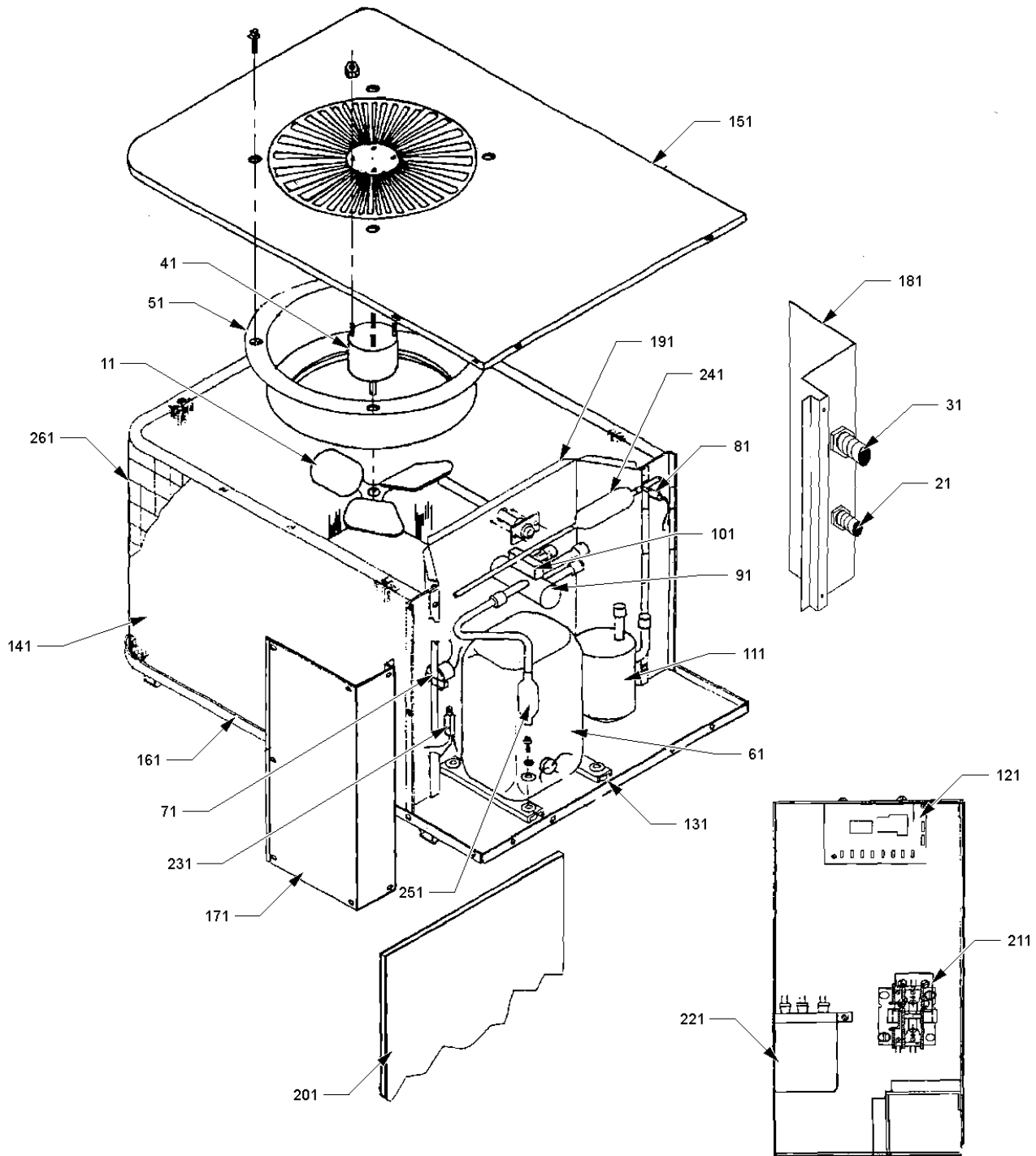
SPECIAL PARTS

RP-162 REPAIR PARTS MANUAL

Expanded Model Nomenclature

M1 - MPE24-1
M2 - MPE30-1
M3 - MPE36-1
M4 - MPE42-1
M5 - MPE48-1

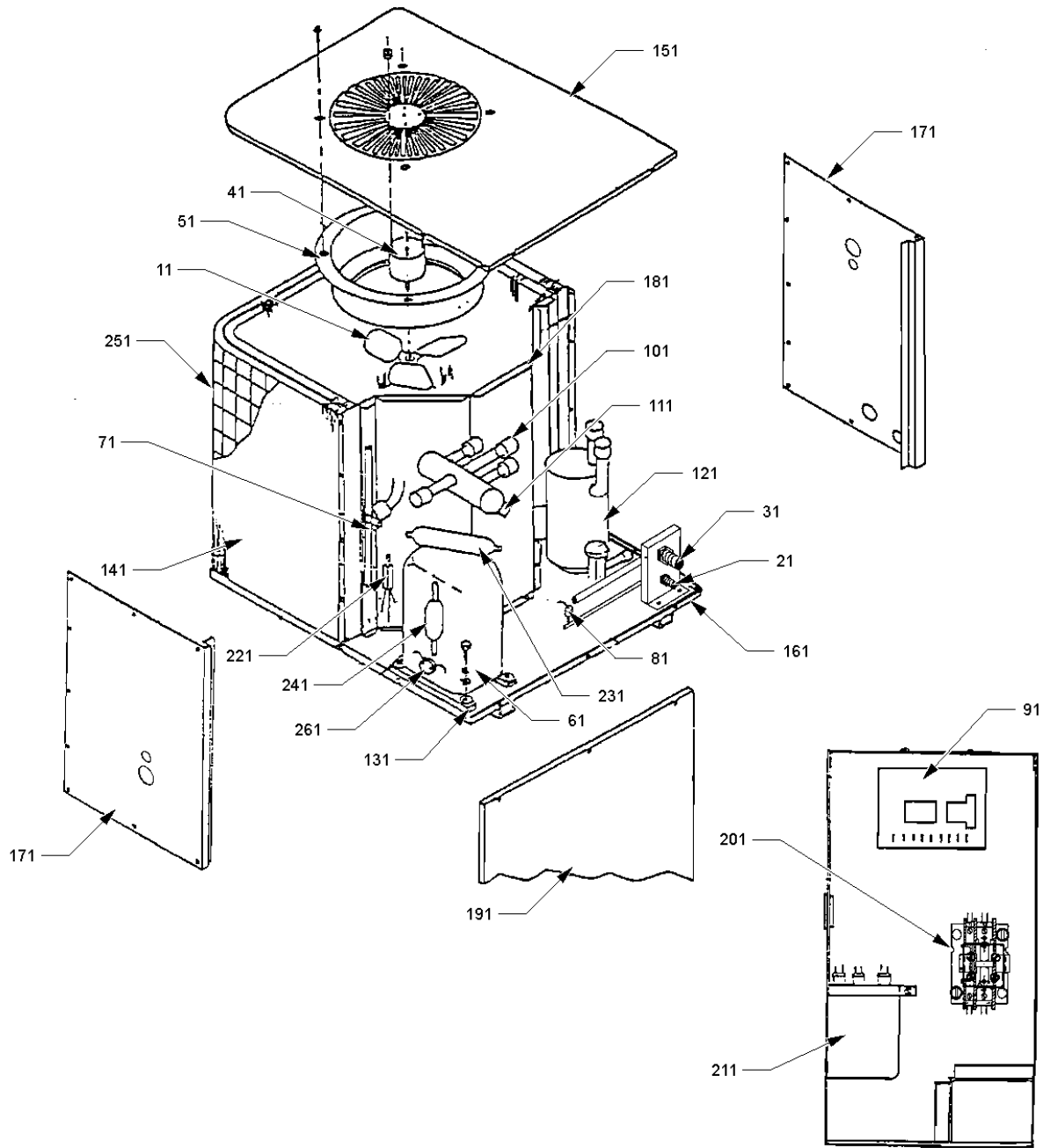
MPE24-1 THRU MPE36-1



MPE24-1 THRU MPE36-1

Ref. Part No:	Ref. Part No:	Description:	Description:
<i>Image 1:</i>		<i>Image 1:</i>	
11	B1086756S	FAN BLADE 18", 32° (M1, M2, M3)	261 1259320P INLET GRILLE 20" (M1)
21	B1282546	3/8" COUPLING HALF (M1, M2, M3)	261 1259325P INLET GRILLE 25" (M2)
31	B1282547	3/4" COUPLING HALF (M1, M2, M3)	261 1259330P INLET GRILLE 30" (M3)
41	B13400251S	COND MOTOR 1/6 HP, 1 SP, 8 PL (M1, M2, M3)	Expanded Model Nomenclature
51	B1787810	VENTURI RING (M1, M2, M3)	
61	CR22K6PFV960	COMPRESSOR 22100, 208/230/60/1 (M1)	
61	CR30K6PFV960	COMPRESSOR 30000, 208/230/60/1 (M2)	
61	CR35K6PFV960	COMPRESSOR 35000, 208/230/60/1 (M3)	
71	B1370803	DEFROST THERMOSTAT (M1, M2, M3)	M1 - MPE24-1
81	B1360719	CUT-OUT SWITCH, LOW PRESSURE (M1, M2, M3)	M2 - MPE30-1
91	B1227314S	REVERSING VALVE (M1)	M3 - MPE36-1
91	B1227316S	REVERSING VALVE (M2, M3)	M4 - MPE42-1
101	B1225017	REVERSING VALVE SOLENOID 24V COIL (M1, M2, M3)	M5 - MPE48-1
111	B1226205	ACCUMULATOR (M1)	
111	B1226206	ACCUMULATOR (M2, M3)	
121	PCBDM101S	DEFROST CONTROL BOARD (M1, M2, M3)	
131	B1339530	COMPRESSOR GROMMET (M1, M2, M3)	
141	1262301	TUBING ASSY, COND COIL (M1)	
141	1262304	TUBING ASSY, COND COIL (M3)	
141	1262700	TUBING ASSY, COND COIL (M2)	
151	1779403P	TOP PANEL (LOUVERED) (OBSOLETE) (M1, M2, M3)	
161	1787208P	BASE PAN (OBSOLETE) (M1, M2, M3)	
171	1787304P	LEFT CORNER PANEL 20" (M1)	
171	1787302P	LEFT CORNER PANEL 25" (M2)	
171	1787303P	LEFT CORNER PANEL 30" (M3)	
181	1787422P	RIGHT CORNER PANEL 20" (M1)	
181	1787423P	RIGHT CORNER PANEL 25" (M2)	
181	1787424P	RIGHT CORNER PANEL 30" (OBSOLETE) (M3)	
191	1787504	PARTITION PANEL 20" (M1)	
191	1787502	PARTITION PANEL 25" (M2)	
191	1787503	PARTITION PANEL 30" (M3)	
201	1787705P	ACCESS PANEL 20" (OBSOLETE) (M1)	
201	1787702P	ACCESS PANEL 25" (M2)	
201	1787703P	ACCESS PANEL 30" (M3)	
211	CONT2P025024VS	CONTACTOR 25 AMP, 2P, 24V (M1, M2, M3)	
221	CAP050300370RSS	CAPACITOR 5/30/370V (M1)	
221	CAP050350370RSS	CAPACITOR 5/35/370V (M2)	
221	CAP050450370RSS	CAPACITOR 5/45/370V [CONTROL BOX] (M3)	
231	B1313352	FLOWRATOR .052 (M1)	
231	B1313353	FLOWRATOR .053 (M2)	
231	B1313465	FLOWRATOR .065 (M3)	
241	B1219201S	BI-FLOW FILTER DRIER (M1, M2, M3)	
251	B1219300	MUFFLER 3/8 X 3/8 (M1, M2, M3)	

MPE42-1 THRU MPE48-1



MPE42-1 THRU MPE48-1

Ref. Part No: No:	Description:	Ref. Part No: No:	Description:
-------------------	--------------	-------------------	--------------

Image 1:

11	B1086750S	FAN BLADE 22", 3 BLADE, 24° (M4)
11	B1086748S	FAN BLADE 22", 3 BLADE, 30° (M5)
21	B1282546	3/8" COUPLING HALF (M4, M5)
31	B1282547	3/4" COUPLING HALF (M4, M5)
41	0131M00008PS	COND MOTOR 1/3 HP, 1 SP, 6 PL (M5)
41	0131M00007PS	COND MOTOR 1/4 HP, 1 SP, 8 PL (M4)
51	1787811	VENTURI RING (M4, M5)
61	CR38K6PFV960	COMPRESSOR 38200, 208/230/60/1 (M4)
61	B9266201AS	COMPRESSOR H23A423ABCA (M5)
71	B1370803	DEFROST THERMOSTAT (M4, M5)
81	B1360719	CUT-OUT SWITCH, LOW PRESSURE (M4, M5)
91	PCBDM101S	DEFROST CONTROL BOARD (M4, M5)
101	B1227317S	REVERSING VALVE (M4, M5)
111	B1225017	REVERSING VALVE SOLENOID (M4, M5)
121	B1226207	ACCUMULATOR (M4, M5)
131	B1339530	COMPRESSOR GROMMET (M4, M5)
141	1264905	TUBING ASSY, COND COIL (OBSOLETE) (M4, M5)
151	1779404P	TOP PANEL (LOUVERED) (OBSOLETE) (M4, M5)
161	1779107P	BASE PAN (M4, M5)
171	1779232P	SIDE PANEL 32.5" (M4, M5)
181	1779532	PARTITION PANEL 32.5" (M4, M5)
191	1779304P	ACCESS PANEL 32.5" (M4, M5)
201	CONT2P025024VS	CONTACTOR 25 AMP, 2P, 24V (M4, M5)
211	CAP050350440RSS	CAPACITOR 5/35/440V [CONTROL BOX] (M4)
211	CAP050400440RTS	CAPACITOR 5/40/440V (M5)
221	B2114674	FLOWRATOR .074 (M4)
221	B2114678	FLOWRATOR .078 (M5)
231	B1219201S	BI-FLOW FILTER DRIER (M4, M5)
241	B1219301	MUFFLER (M4, M5)
251	1259432P	INLET GRILLE 32.5" (M4, M5)
261	B1243733	CRANKCASE HEATER (M4, M5)

Expanded Model Nomenclature

- | |
|--------------|
| M1 - MPE24-1 |
| M2 - MPE30-1 |
| M3 - MPE36-1 |
| M4 - MPE42-1 |
| M5 - MPE48-1 |

