



REPAIR PARTS

MP SERIES Mobile Home Heat Pumps

MP18-1B
MP25-1B
MP30-1B
MP36-1B
MP42-1B
MP48-1B

This manual is to be used by qualified technicians only.

© 2008 Goodman Manufacturing Company, L.P. ♦ 5151 San Felipe, Suite 500 ♦ Houston, TX 77056

Important Information

Index

Functional Parts List	3
Illustration and Parts	4 - 7

Views shown are for parts illustrations only, not servicing procedures.

Text Codes:

AR - As Required

NA - Not Available

NS - Not Shown

00000000 - See Note

QTY - Quantity Example (QTY 3) (If Quantity not shown, Quantity = 1)

M - Model Example (M1) (If M Code not shown, then part is used on all Models)

Expanded Model Nomenclature:

Example M1 - Model#1 M2 - Model#2 M3 - Model#3

Goodman Manufacturing Company, L.P. is not responsible for personal injury or property damage resulting from improper service. Review all service information before beginning repairs.

Warranty service must be performed by an authorized technician, using authorized factory parts. If service is required after the warranty expires, Goodman Manufacturing Company, L.P. also recommends contacting an authorized technician and using authorized factory parts.

Goodman Manufacturing Company, L.P. reserves the right to discontinue, or change at any time, specifications or designs without notice or without incurring obligations.

For assistance within the U.S.A. contact:
Consumer Affairs Department
Goodman Manufacturing Company, L.P.
7401 Security Way
Houston, Texas 77040
877-254-4729-Telephone
713-863-2382-Facsimile

For assistance outside the U.S.A. contact:
International Division
Goodman Manufacturing Company, L.P.
7401 Security Way
Houston, Texas 77040
713-861-2500-Telephone
713-863-2382-Facsimile

Functional Parts

Part

No: Description:

CAP050250370RSS	CAPACITOR 5/25/370V (M1)
CAP050350370RSS	CAPACITOR 5/35/370V (M2, M3)
CAP050350440RSS	CAPACITOR 5/35/440V (M4)
CAP050400440RTS	CAPACITOR 5/40/440V (M5, M6)
CR18K6PFV960	COMPRESSOR 18000, 208/230/60/1 (M1)
CR35K6PFV960	COMPRESSOR 35000, 208/230/60/1 (M4)
B9266201AS	COMPRESSOR H23A423ABCA (M5)
B9266206	COMPRESSOR H23A463ABCA (M6)
CR28K6PFV960	COMPRESSOR H23B283ABCA (M3)
B9266833AS	COMPRESSOR H27B24QCBCA (707094-1501-00) (M2)
0131M00007PS	COND MOTOR 1/4 HP, 1 SP, 8 PL (M5, M6)
B13400251S	COND MOTOR 1/6 HP, 1 SP, 8 PL (M1, M2, M3, M4)
CONT2P025024VS	CONTACTOR 25 AMP, 2P, 24V (M1, M2, M3, M4, M5)
CONT2P030024VS	CONTACTOR 30 AMP, 2P, 24V (M6)
B1243733	CRANKCASE HEATER (M4, M5, M6)
B1243731	CRANKCASE HEATER (M1, M2, M3)
B1360719	CUT-OUT SWITCH, LOW PRESSURE
B1370803	DEFROST THERMOSTAT
B1226008S	DEFROST TIMER W/RELAY

SPECIAL PARTS

RP-133 REPAIR PARTS MANUAL

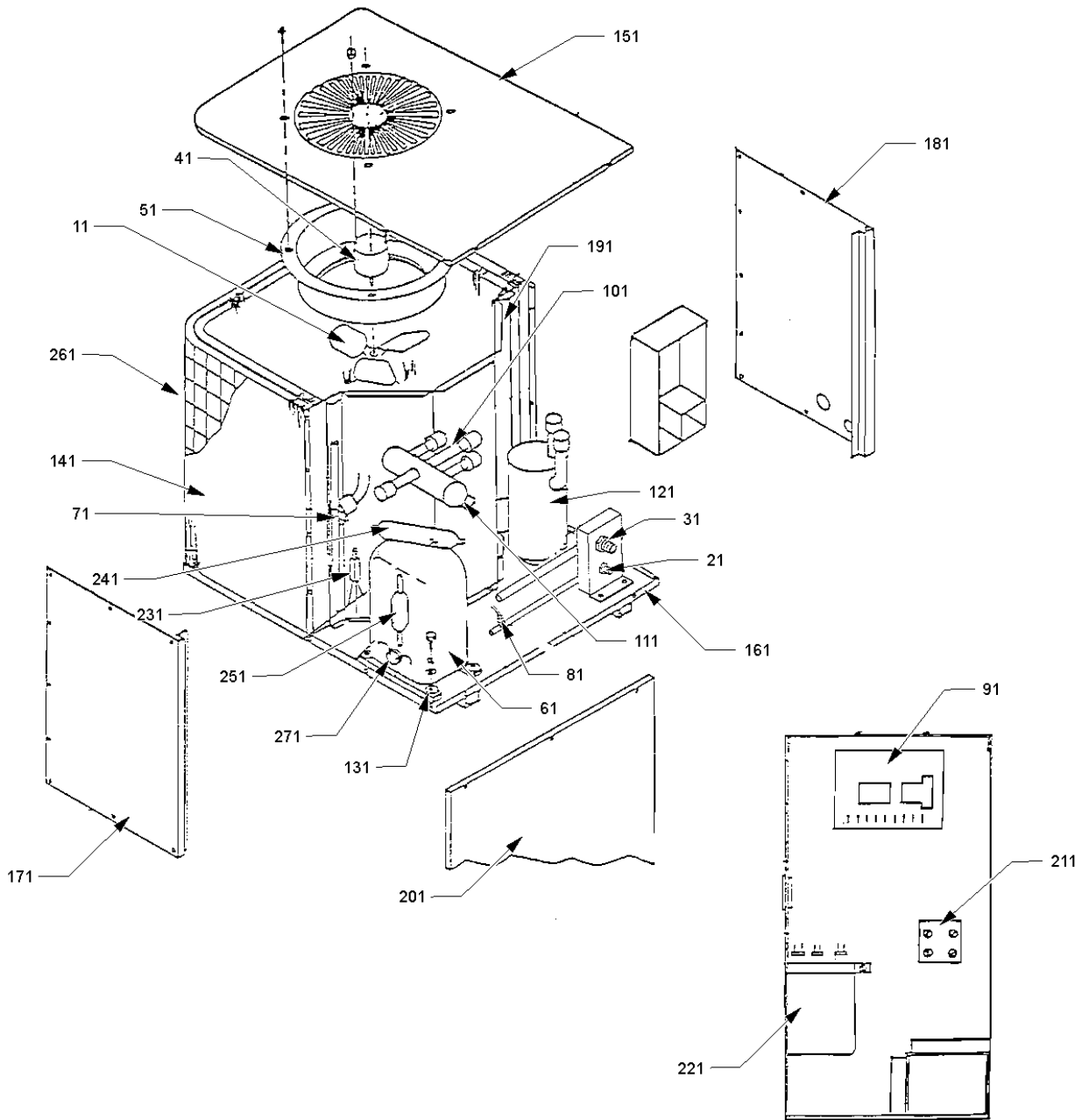
Expanded Model Nomenclature

M1 - MP18-1B
M2 - MP25-1B
M3 - MP30-1B
M4 - MP36-1B
M5 - MP42-1B
M6 - MP48-1B

MPE18-1B THRU MPE360-1B

Ref. Part No:	Ref. Part No:	Description:	Description:
<i>Image 1:</i>		<i>Image 1:</i>	
11	B1086756S	FAN BLADE 18", 32° (M1, M2, M3, M4)	231 B1213355 FLOWRATOR .055 (M2)
21	B1282546	3/8" HALF COUPLING (OBSOLETE) (M1, M2, M3, M4)	231 B1213357 FLOWRATOR .057 (M3)
31	B1282547	3/4" COUPLING HALF (M1, M2, M3, M4)	231 B1213462 FLOWRATOR .062 (OBSOLETE) (M4)
41	B13400251S	COND MOTOR 1/6 HP, 1 SP, 8 PL (M1, M2, M3, M4)	241 B1219201S BI-FLOW FILTER DRIER (M1, M2, M3, M4)
51	B1787810	VENTURI RING (M1, M2, M3, M4)	251 B1219300 MUFFLER 3/8 X 3/8 (M1, M2, M3, M4)
61	CR18K6PFV960	COMPRESSOR 18000, 208/230/60/1 (M1)	261 B1249329 INLET GRILLE 17.5" (M1, M2)
61	CR35K6PFV960	COMPRESSOR 35000, 208/230/60/1 (M4)	261 B1249336 INLET GRILLE 20" (M3)
61	CR28K6PFV960	COMPRESSOR H23B283ABCA (M3)	261 B1259330 INLET GRILLE 30" (M4)
61	B9266833AS	COMPRESSOR H27B24QCBCA (707094-1501-00) (M2)	271 B1243731 CRANKCASE HEATER (M1, M2, M3)
71	B1370803	DEFROST THERMOSTAT (M1, M2, M3, M4)	271 B1243733 CRANKCASE HEATER (M4)
81	B1360719	CUT-OUT SWITCH, LOW PRESSURE (M1, M2, M3, M4)	Expanded Model Nomenclature
91	B1227300	REVERSING VALVE (M1, M2)	M1 - MP18-1B
91	B1227316S	REVERSING VALVE (M3, M4)	M2 - MP25-1B
101	B1225017	REVERSING VALVE SOLENOID 24V (M3, M4)	M3 - MP30-1B
101	B1225014	REVERSING VALVE SOLENOID 24V (OBSOLETE) (M1, M2)	M4 - MP36-1B
111	B1226106	ACCUMULATOR (M3, M4)	M5 - MP42-1B
111	B1226205	ACCUMULATOR (M1, M2)	M6 - MP48-1B
121	B1226008S	DEFROST TIMER W/RELAY (M1, M2, M3, M4)	
131	B1339530	COMPRESSOR GROMMET (M1, M2, M3, M4)	
141	1262300	TUBING ASSY, COND COIL (M2)	
141	1262301	TUBING ASSY, COND COIL (M3)	
141	1262304	TUBING ASSY, COND COIL (M4)	
141	1264857	TUBING ASSY, COND COIL (M1)	
151	1779401P	TOP PANEL (LOUVERED) (OBSOLETE) (M1, M2, M3, M4)	
161	1787203P	BASE PAN (OBSOLETE) (M1, M2, M3, M4)	
171	1787301P	LEFT CORNER PANEL 17.5" (M1, M2)	
171	1787304P	LEFT CORNER PANEL 20" (M3)	
171	1787303P	LEFT CORNER PANEL 30" (M4)	
181	1787421P	RIGHT CORNER 17.5" (M1, M2)	
181	1787422P	RIGHT CORNER 20" (M3)	
181	1787424P	RIGHT CORNER PANEL 30" (OBSOLETE) (M4)	
191	1787501	PARTITION PANEL 17.5" (M1, M2)	
191	1787504	PARTITION PANEL 20" (M3)	
191	1787503	PARTITION PANEL 30" (M4)	
201	1787701P	ACCESS PANEL 17.5" (M1, M2)	
201	1787705P	ACCESS PANEL 20" (OBSOLETE) (M3)	
201	1787703P	ACCESS PANEL 30" (M4)	
211	CONT2P025024VS	CONTACTOR 25 AMP, 2P, 24V (M1, M2, M3, M4)	
221	CAP050250370RSS	CAPACITOR 5/25/370V (M1)	
221	CAP050350370RSS	CAPACITOR 5/35/370V (M2, M3)	
221	CAP050350440RSS	CAPACITOR 5/35/440V (M4)	
231	B1313245	FLOWRATOR .045 (M1)	

MPE42-1B THRU MPE48-1B



MPE42-1B THRU MPE48-1B

Ref. Part No: No:	Description:	Ref. Part No: No:	Description:
-------------------	--------------	-------------------	--------------

Image 1:

11	B1086750S	FAN BLADE 22", 3 BLADE, 24° (M5, M6)
21	B1282546	3/8" HALF COUPLING (M5, M6)
31	B1282547	3/4" HALF COUPLING (M5, M6)
41	0131M00007PS	COND MOTOR 1/4 HP, 1 SP, 8 PL (M5, M6)
51	1787811	VENTURI RING (M5, M6)
61	B9266201AS	COMPRESSOR H23A423ABCA (M5)
61	B9266206	COMPRESSOR H23A463ABCA (M6)
71	B1370803	DEFROST THERMOSTAT (M5, M6)
81	B1360719	CUT-OUT SWITCH, LOW PRESSURE (M5, M6)
91	B1226008S	DEFROST TIMER W/RELAY (M5, M6)
101	B1227310	REVERSING VALVE (M5, M6)
111	B1225014	REVERSING VALVE SOLENOID 24V (M5, M6)
121	B1226207	ACCUMULATOR (M5, M6)
131	B1339530	COMPRESSOR GROMMET (M5, M6)
141	1264855	TUBING ASSY, COND COIL [OBSOLETE] (M5, M6)
151	1779402P	TOP PANEL (LOUVERED) (OBSOLETE) (M5, M6)
161	1779107P	BASE PAN (M5, M6)
171	1779213P	LEFT CORNER PANEL 32.5" (M5, M6)
181	1779211P	RIGHT CORNER PANEL 32.5" (M5, M6)
191	1779506	PARTITION PANEL 32.5" (M5, M6)
201	1779304P	ACCESS PANEL 32.5" (M5, M6)
211	CONT2P025024VS	CONTACTOR 25 AMP, 2P, 24V (M5)
211	CONT2P030024VS	CONTACTOR 30 AMP, 2P, 24V (M6)
221	CAP050400440RTS	CAPACITOR 5/40/440V (M5, M6)
231	B2019668	FLOWRATOR .068 (M5)
231	B2019671	FLOWRATOR .071 (M6)
241	B1219201S	BI-FLOW FILTER DRIER (M5, M6)
251	B1219301	MUFFLER (M5, M6)
261	B1259332	INLET GRILLE [OBSOLETE] (M5, M6)
271	B1243733	CRANKCASE HEATER (M5, M6)

Expanded Model Nomenclature

M1 - MP18-1B
M2 - MP25-1B
M3 - MP30-1B
M4 - MP36-1B
M5 - MP42-1B
M6 - MP48-1B