



REPAIR PARTS

MLE SERIES Condensing Units

MLE18-1B
MLE25-1B
MLE30-1B
MLE36-1B
MLE42-1B
MLE42-1C
MLE48-1B
MLE60-1B

This manual is to be used by qualified technicians only.

© 1989-2008 Goodman Manufacturing Company, L.P. ♦ 5151 San Felipe, Suite 500 ♦ Houston, TX 77056

Important Information

Index

Functional Parts List	3
Illustration and Parts	4 - 7

Views shown are for parts illustrations only, not servicing procedures.

Text Codes:

AR - As Required

NA - Not Available

NS - Not Shown

00000000 - See Note

QTY - Quantity Example (QTY 3) (If Quantity not shown, Quantity = 1)

M - Model Example (M1) (If M Code not shown, then part is used on all Models)

Expanded Model Nomenclature:

Example M1 - Model#1 M2 - Model#2 M3 - Model#3

Goodman Manufacturing Company, L.P. is not responsible for personal injury or property damage resulting from improper service. Review all service information before beginning repairs.

Warranty service must be performed by an authorized technician, using authorized factory parts. If service is required after the warranty expires, Goodman Manufacturing Company, L.P. also recommends contacting an authorized technician and using authorized factory parts.

Goodman Manufacturing Company, L.P. reserves the right to discontinue, or change at any time, specifications or designs without notice or without incurring obligations.

For assistance within the U.S.A. contact:
Consumer Affairs Department
Goodman Manufacturing Company, L.P.
7401 Security Way
Houston, Texas 77040
877-254-4729-Telephone
713-863-2382-Facsimile

For assistance outside the U.S.A. contact:
International Division
Goodman Manufacturing Company, L.P.
7401 Security Way
Houston, Texas 77040
713-861-2500-Telephone
713-863-2382-Facsimile

Functional Parts

Part

No: **Description:**

CAP050200370RSS CAPACITOR 5/20/370V (M1)
CAP050300370RSS CAPACITOR 5/30/370V (M2)
CAP050350370RSS CAPACITOR 5/35/370V (M3)
CAP050350440RSS CAPACITOR 5/35/440V (M4)
CAP050400440RTS CAPACITOR 5/40/440V (M5, M6, M7)
B945758010 CAPACITOR 5/55/440V (M8)
CR30K6PFV960 COMPRESSOR 30000, 208/230/60/1 (M3)
CR35K6PFV960 COMPRESSOR 35000, 208/230/60/1 (M4)
B9266302 COMPRESSOR CRK30325PFV230 (M5)
B9266261 COMPRESSOR H21B153ABCA (M1)
B9266298A COMPRESSOR H23A423ABCA (M6, M7)
B9266294AS COMPRESSOR H23A563ABCA (M8)
CR22K6PFV960 COMPRESSOR H29B22UABCA (729011-1501-00) (M2)
0131M00007PS COND MOTOR 1/4 HP, 1 SP, 8 PL (M8)
B13400251S COND MOTOR 1/6 HP, 1 SP (M1, M2, M3, M4, M5, M6, M7)
CONT2P025024VS CONTACTOR 25 AMP, 2P, 24V (M1, M2, M3, M4, M5, M6, M7)
CONT1P040024VS CONTACTOR 35 AMP, 1P, 24V (M8)
B1243733 CRANKCASE HEATER (M8)

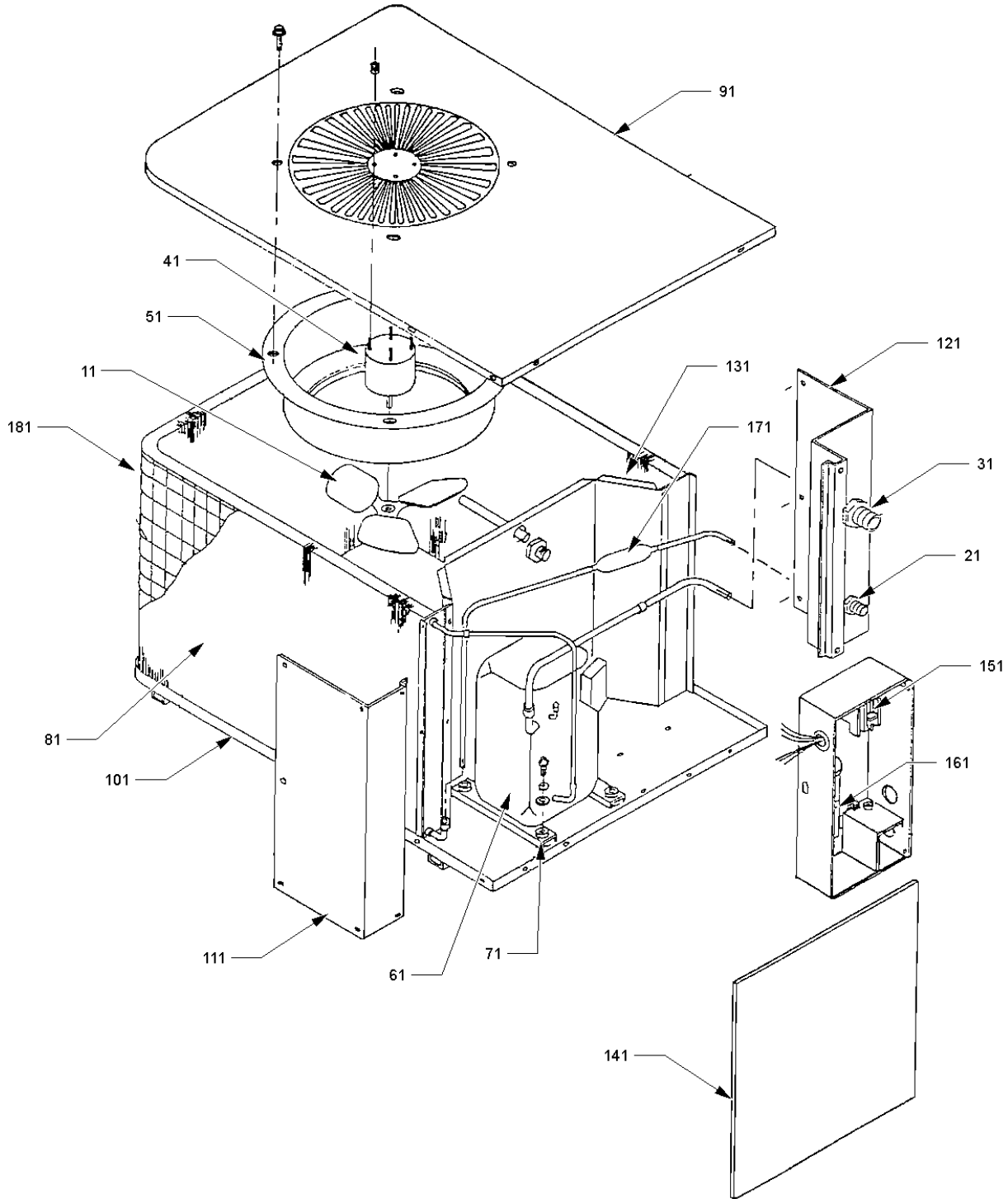
SPECIAL PARTS

RP-132 REPAIR PARTS MANUAL

Expanded Model Nomenclature

M1 - MLE18-1B
M2 - MLE25-1B
M3 - MLE30-1B
M4 - MLE36-1B
M5 - MLE42-1C
M6 - MLE42-1B
M7 - MLE48-1B
M8 - MLE60-1B

MLE18-1 THRU MLE48-1



MLE18-1 THRU MLE48-1

Ref. Part No:	Part No:	Description:	Ref. Part No:	Part No:	Description:
<i>Image 1:</i>			<i>Image 1:</i>		
11	B1086756S	FAN BLADE 18", 32° (M1, M2, M3, M4, M5, M6, M7)	151	CONT2P025024VS	CONTACTOR 25 AMP, 2P, 24V (M1, M2, M3, M4, M5, M6, M7)
21	B1282546	3/8" HALF COUPLING (OBSOLETE) (M1, M2, M3, M4, M5, M6, M7)	161	CAP050200370RSS	CAPACITOR 5/20/370V (M1)
31	B1282547	3/4" HALF COUPLING (M1, M2, M3, M4, M5, M6, M7)	161	CAP050300370RSS	CAPACITOR 5/30/370V (M2)
41	B13400251S	COND MOTOR 1/6 HP, 1 SP (M1, M2, M3, M4, M5, M6, M7)	161	CAP050350370RSS	CAPACITOR 5/35/370V (M3)
51	B1787810	VENTURI RING (M1, M2, M3, M4, M5, M6, M7)	161	CAP050350440RSS	CAPACITOR 5/35/440V (M4)
61	CR30K6PFV960	COMPRESSOR 30000, 208/230/60/1 (M3)	161	CAP050400440RTS	CAPACITOR 5/40/440V (M5, M6, M7)
61	CR35K6PFV960	COMPRESSOR 35000, 208/230/60/1 (M4)	171	B1219220	FILTER DRIER (M1, M2, M3, M4, M5, M6, M7)
61	B9266302	COMPRESSOR CRK30325PFV230 (M5)	181	B1249328	INLET GRILLE 13.75" (M1)
61	B9266261	COMPRESSOR H21B153ABCA (M1)	181	B1249329	INLET GRILLE 17.5" (M2, M3)
61	B9266298A	COMPRESSOR H23A423ABCA (M6, M7)	181	B1249336	INLET GRILLE 20" (M4)
61	CR22K6PFV960	COMPRESSOR H29B22UABCA (729011-1501-00) (M2)	181	B1249330	INLET GRILLE 25" (OBSOLETE) (M5, M6)
71	B1399530	COMPRESSOR GROMMET (M1, M2, M3, M4, M5, M6, M7)	181	B1259330	INLET GRILLE 30" (M7)
81	1246802	TUBING ASSY, COND COIL (M2)	Expanded Model Nomenclature <div style="border: 1px solid black; padding: 5px; display: inline-block;"> M1 - MLE18-1B M2 - MLE25-1B M3 - MLE30-1B M4 - MLE36-1B M5 - MLE42-1C M6 - MLE42-1B M7 - MLE48-1B M8 - MLE60-1B </div>		
81	1264803	TUBING ASSY, COND COIL (M3)			
81	1264807	TUBING ASSY, COND COIL (M7)			
81	1264801	TUBING ASSY, COND COIL (OBSOLETE) (M1)			
81	1264805	TUBING ASSY, COND COIL (OBSOLETE) (M4)			
81	1264806	TUBING ASSY, COND COIL (OBSOLETE) (M5, M6)			
91	1779701P	TOP PANEL (LOUVERED) (M1, M2, M3, M4, M5, M6, M7)			
101	1787203P	BASEPAN (OBSOLETE) (M1, M2, M3, M4, M5, M6, M7)			
111	1787300P	LEFT CORNER PANEL 13.75" (M1)			
111	1787301P	LEFT CORNER PANEL 17.5" (M2, M3)			
111	1787304P	LEFT CORNER PANEL 20" (M4)			
111	1787302P	LEFT CORNER PANEL 25" (M5, M6)			
111	1787303P	LEFT CORNER PANEL 30" (M7)			
121	1787425P	RIGHT CORNER PANEL 13.75" (M1)			
121	1787421P	RIGHT CORNER PANEL 17.5" (M2, M3)			
121	1787422P	RIGHT CORNER PANEL 20" (M4)			
121	1787423P	RIGHT CORNER PANEL 25" (M5, M6)			
121	1787424P	RIGHT CORNER PANEL 30" (OBSOLETE) (M7)			
131	1787500	PARTITION PANEL 13.75" (M1)			
131	1787501	PARTITION PANEL 17.5" (M2, M3)			
131	1787504	PARTITION PANEL 20" (M4)			
131	1787502	PARTITION PANEL 25" (M5, M6)			
131	1787503	PARTITION PANEL 30" (M7)			
141	1787700P	ACCESS PANEL 13.75" (M1)			
141	1787701P	ACCESS PANEL 17.5" (M2, M3)			
141	1787705P	ACCESS PANEL 20" (OBSOLETE) (M4)			
141	1787702P	ACCESS PANEL 25" (M5, M6)			
141	1787703P	ACCESS PANEL 30" (M7)			

