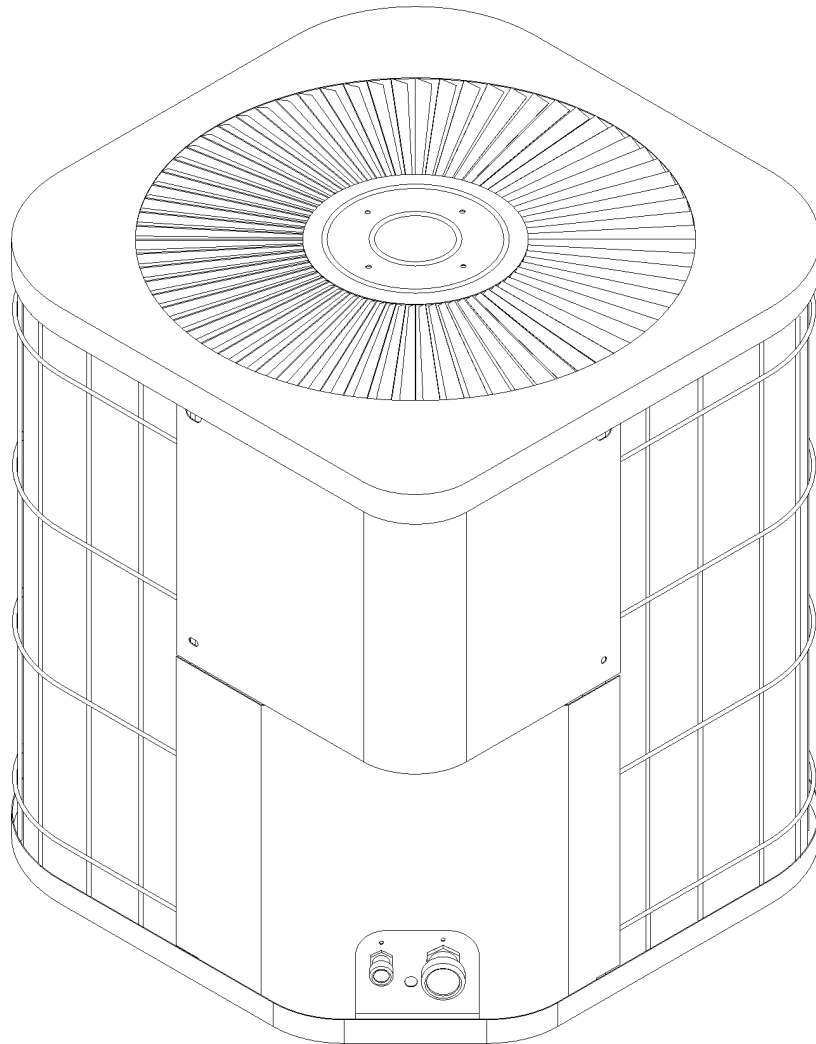


MK SERIES Condensing Units

MK24-1
MK24-1D
MK30-1
MK30-1A
MK30-1D
MK36-1
MK36-1A
MK36-1D
MK42-1
MK49-1
MK49-3



This manual is to be used by qualified technicians only.

© 2000-2008 Goodman Manufacturing Company, L.P. ♦ 5151 San Felipe, Suite 500 ♦ Houston, TX 77056

Important Information

Index

Functional Parts List	3
Illustration and Parts	4 - 5

Views shown are for parts illustrations only, not servicing procedures.

Text Codes:

AR - As Required

NA - Not Available

NS - Not Shown

00000000 - See Note

QTY - Quantity Example (QTY 3) (If Quantity not shown, Quantity = 1)

M - Model Example (M1) (If M Code not shown, then part is used on all Models)

Expanded Model Nomenclature:

Example M1 - Model#1 M2 - Model#2 M3 - Model#3

Goodman Manufacturing Company, L.P. is not responsible for personal injury or property damage resulting from improper service. Review all service information before beginning repairs.

Warranty service must be performed by an authorized technician, using authorized factory parts. If service is required after the warranty expires, Goodman Manufacturing Company, L.P. also recommends contacting an authorized technician and using authorized factory parts.

Goodman Manufacturing Company, L.P. reserves the right to discontinue, or change at any time, specifications or designs without notice or without incurring obligations.

For assistance within the U.S.A. contact:
Consumer Affairs Department
Goodman Manufacturing Company, L.P.
7401 Security Way
Houston, Texas 77040
877-254-4729-Telephone
713-863-2382-Facsimile

For assistance outside the U.S.A. contact:
International Division
Goodman Manufacturing Company, L.P.
7401 Security Way
Houston, Texas 77040
713-861-2500-Telephone
713-863-2382-Facsimile

Functional Parts

Part

No: Description:

CAP050300370RSS	CAPACITOR 5/30/370V (M1, M2)
CAP050350370RSS	CAPACITOR 5/35/370V (M4, M5)
CAP050000370VAS	CAPACITOR 5/370V (M11)
CAP050400440RTS	CAPACITOR 5/40/440V (M9, M10)
CAP050450370RSS	CAPACITOR 5/45/370V (M3, M6, M7, M8)
B9266204AS	COMPRESSOR (H23A423DBLA) (M11)
CR30K6PFV960	COMPRESSOR 30000, 208/230/60/1 (M3, M4, M5)
CR35K6PFV960	COMPRESSOR 35000, 208/230/60/1 (M6, M7, M8)
CR42K6PFV960	COMPRESSOR 41900, 380/420/60/1 (M9, M10)
B9266214AS	COMPRESSOR H23B223ABCA (M1, M2)
0131M00007PS	COND MOTOR 1/4 HP, 1 SP, 8 PL (M10, M11)
B13400252S	COND MOTOR 1/6 HP, 1 SP, 8 PL (M1, M2, M3, M4, M5, M9)
B13400251S	COND MOTOR 1/6 HP, 1 SP, 8 PL (M6, M7, M8)
CONT3P025024VS	CONTACTOR 25 AMP, 3P, 24V (M11)
CONT2P030024VS	CONTACTOR 30 AMP, 2P, 24V (M1, M2, M3, M4, M5, M6, M7, M8, M9, M10)

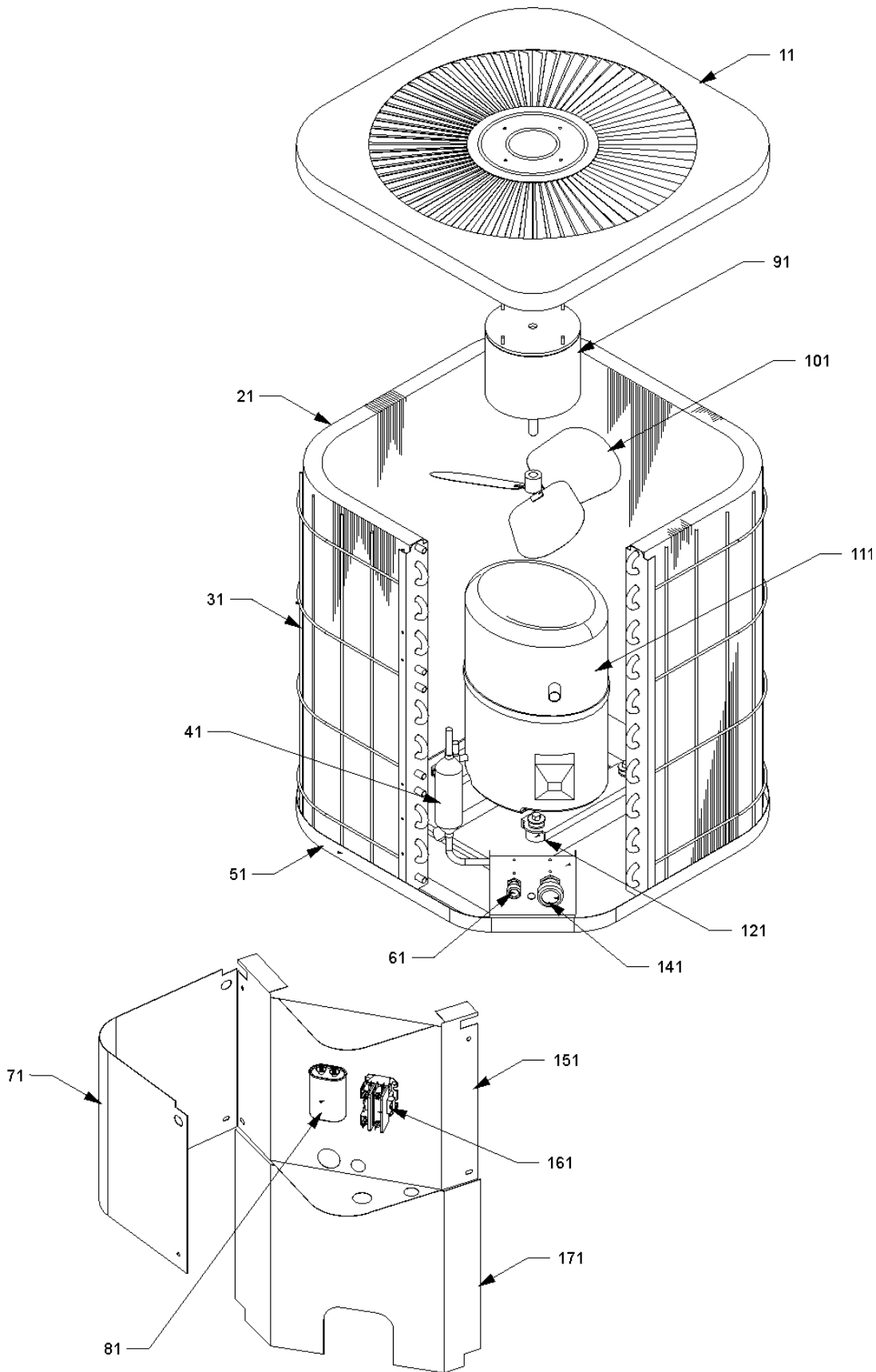
SPECIAL PARTS

IO-101F	INSTALLATION INSTRUCTIONS
RP-184C	REPAIR PARTS MANUAL

Expanded Model Nomenclature

M1 - MK24-1
M2 - MK24-1D
M3 - MK30-1
M4 - MK30-1A
M5 - MK30-1D
M6 - MK36-1
M7 - MK36-1A
M8 - MK36-1D
M9 - MK42-1
M10 - MK49-1
M11 - MK49-3

Replacement Parts List



Replacement Parts List

Ref. Part No:	No:	Description:	Ref. Part No:	No:	Description:											
<i>Image 1:</i>			<i>Image 1:</i>													
11	1779405P	TOP PANEL (M1, M2, M3, M4, M5, M6, M7, M8, M9)	171	1787714P	ACCESS PANEL 30" (M9)											
11	1779415P	TOP PANEL (M10, M11)	NS	B1783803	ACORN NUT 5/16 HEX YELLOW ZINC (QTY 4)											
21	1262102	TUBING ASSY, COND COIL (M2, M5)	NS	1284835	CAPACITOR STRAP											
21	1262103	TUBING ASSY, COND COIL (M1, M3, M4, M8)	NS	B1789880	FLOW CHECK PISTON KIT (M10)											
21	1262104	TUBING ASSY, COND COIL (M6, M7)	NS	B1778800	PVC CONDUIT-1/2"											
21	1262105	TUBING ASSY, COND COIL (M9)	NS	M0221641	TF SHOULDER SCREW (QTY 4)											
21	1262108	TUBING ASSY, COND COIL (M10, M11)	Expanded Model Nomenclature													
31	B1259522	INLET GRILLE 22" (M2, M5)	<table border="1"> <tr><td>M1 - MK24-1</td></tr> <tr><td>M2 - MK24-1D</td></tr> <tr><td>M3 - MK30-1</td></tr> <tr><td>M4 - MK30-1A</td></tr> <tr><td>M5 - MK30-1D</td></tr> <tr><td>M6 - MK36-1</td></tr> <tr><td>M7 - MK36-1A</td></tr> <tr><td>M8 - MK36-1D</td></tr> <tr><td>M9 - MK42-1</td></tr> <tr><td>M10 - MK49-1</td></tr> <tr><td>M11 - MK49-3</td></tr> </table>			M1 - MK24-1	M2 - MK24-1D	M3 - MK30-1	M4 - MK30-1A	M5 - MK30-1D	M6 - MK36-1	M7 - MK36-1A	M8 - MK36-1D	M9 - MK42-1	M10 - MK49-1	M11 - MK49-3
M1 - MK24-1																
M2 - MK24-1D																
M3 - MK30-1																
M4 - MK30-1A																
M5 - MK30-1D																
M6 - MK36-1																
M7 - MK36-1A																
M8 - MK36-1D																
M9 - MK42-1																
M10 - MK49-1																
M11 - MK49-3																
31	B1259525	INLET GRILLE 25" (M1, M3, M4, M8)														
31	B1259625	INLET GRILLE 25" (M10, M11)														
31	B1259527	INLET GRILLE 27.5" (M6, M7)														
31	B1259530	INLET GRILLE 30" (M9)														
41	B1219212	SINGLE-FLOW FILTER DRIER, STEEL (M1, M2, M3, M4, M5, M6, M7, M8, M9)														
41	B1219225	SINGLE-FLOW FILTER DRIER, STEEL (M10, M11)														
51	1787209P	BASE PAN (M1, M2, M3, M4, M5, M6, M7, M8, M9)														
51	1787210P	BASE PAN (M10, M11)														
61	B1282546	3/8" COUPLING HALF														
71	1787624P	CONTROL BOX COVER														
81	CAP050300370RSS	CAPACITOR 5/30/370V (M1, M2)														
81	CAP050350370RSS	CAPACITOR 5/35/370V (M4, M5)														
81	CAP050000370VAS	CAPACITOR 5/370V (M11)														
81	CAP050400440RTS	CAPACITOR 5/40/440V (M9, M10)														
81	CAP050450370RSS	CAPACITOR 5/45/370V (M3, M6, M7, M8)														
91	0131M00007PS	COND MOTOR 1/4 HP, 1 SP, 8 PL (M10, M11)														
91	B13400251S	COND MOTOR 1/6 HP, 1 SP, 8 PL (M6, M7, M8)														
91	B13400252S	COND MOTOR 1/6 HP, 1 SP, 8 PL (M1, M2, M3, M4, M5, M9)														
101	B1086771S	FAN BLADE 18", X-SERIES (M1, M2, M3, M4, M5, M6, M7, M8, M9)														
101	B1086750S	FAN BLADE 22", 3 BLADE, 24° (M10, M11)														
111	B9266204AS	COMPRESSOR (H23A423DBLA) (M11)														
111	CR30K6PFV960	COMPRESSOR 30000, 208/230/60/1 (M3, M4, M5)														
111	CR35K6PFV960	COMPRESSOR 35000, 208/230/60/1 (M6, M7, M8)														
111	CR42K6PFV960	COMPRESSOR 41900, 380/420/60/1 (M9, M10)														
111	B9266214AS	COMPRESSOR H23B223ABCA (M1, M2)														
121	B1339530	COMPRESSOR GROMMET (QTY 4)														
131	1722252	MOUNTING BRACKET														
141	B1282547	3/4" COUPLING HALF														
151	1787623	CONTROL BOX														
161	CONT3P025024VS	CONTACTOR 25 AMP, 3P, 24V (M11)														
161	CONT2P030024VS	CONTACTOR 30 AMP, 2P, 24V (M1, M2, M3, M4, M5, M6, M7, M8, M9, M10)														
171	1787711P	ACCESS PANEL 22.5" (M2, M5)														
171	1787712P	ACCESS PANEL 25" (M1, M3, M4, M8, M10, M11)														
171	1787713P	ACCESS PANEL 27.5" (M6, M7)														