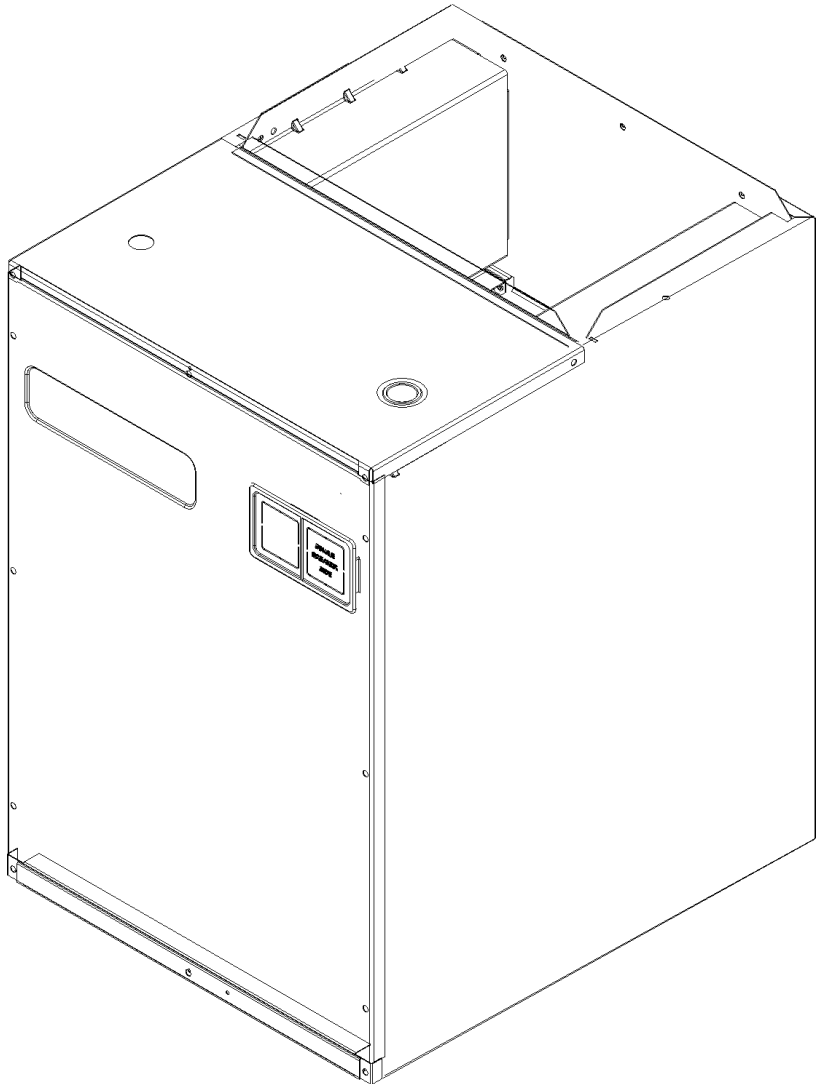


REPAIR PARTS

MBE/MBR Modular Blower Air Handlers

MBE1200AA-1AA
MBE1200AA-1BA
MBE1600AA-1AA
MBE1600AA-1BA
MBE2000AA-1AA
MBE2000AA-1BA
MBR0800AA-1AA
MBR0800AA-1AB
MBR0800AA-1AC
MBR1200AA-1AA
MBR1200AA-1AB
MBR1200AA-1AC
MBR1600AA-1AA
MBR1600AA-1AB
MBR1600AA-1AC
MBR2000AA-1AA
MBR2000AA-1AB
MBR2000AA-1AC



This manual is to be used by qualified technicians only.

This manual replaces RP-254C.

© 2004-2005,2007,2015 Goodman Manufacturing Company, L.P. ♦ 5151 San Felipe St., Suite 500 ♦ Houston, TX 77056

Important Information

Index

Functional Parts List	3
Illustration and Parts	4 - 9

Views shown are for parts illustrations only, not servicing procedures

Text Codes:

AR - As Required

NA - Not Available

NS - Not Shown

00000000 - See Note

QTY - Quantity Example (QTY 3) (If Quantity not shown, Quantity = 1)

M - Model Example (M1) (If M Code not shown, then part is used on all Models)

Expanded Model Nomenclature:

Example M1 - Model#1 M2 - Model#2 M3 - Model#3

Goodman Manufacturing Company, L.P. is not responsible for personal injury or property damage resulting from improper service. Review all service information before beginning repairs.

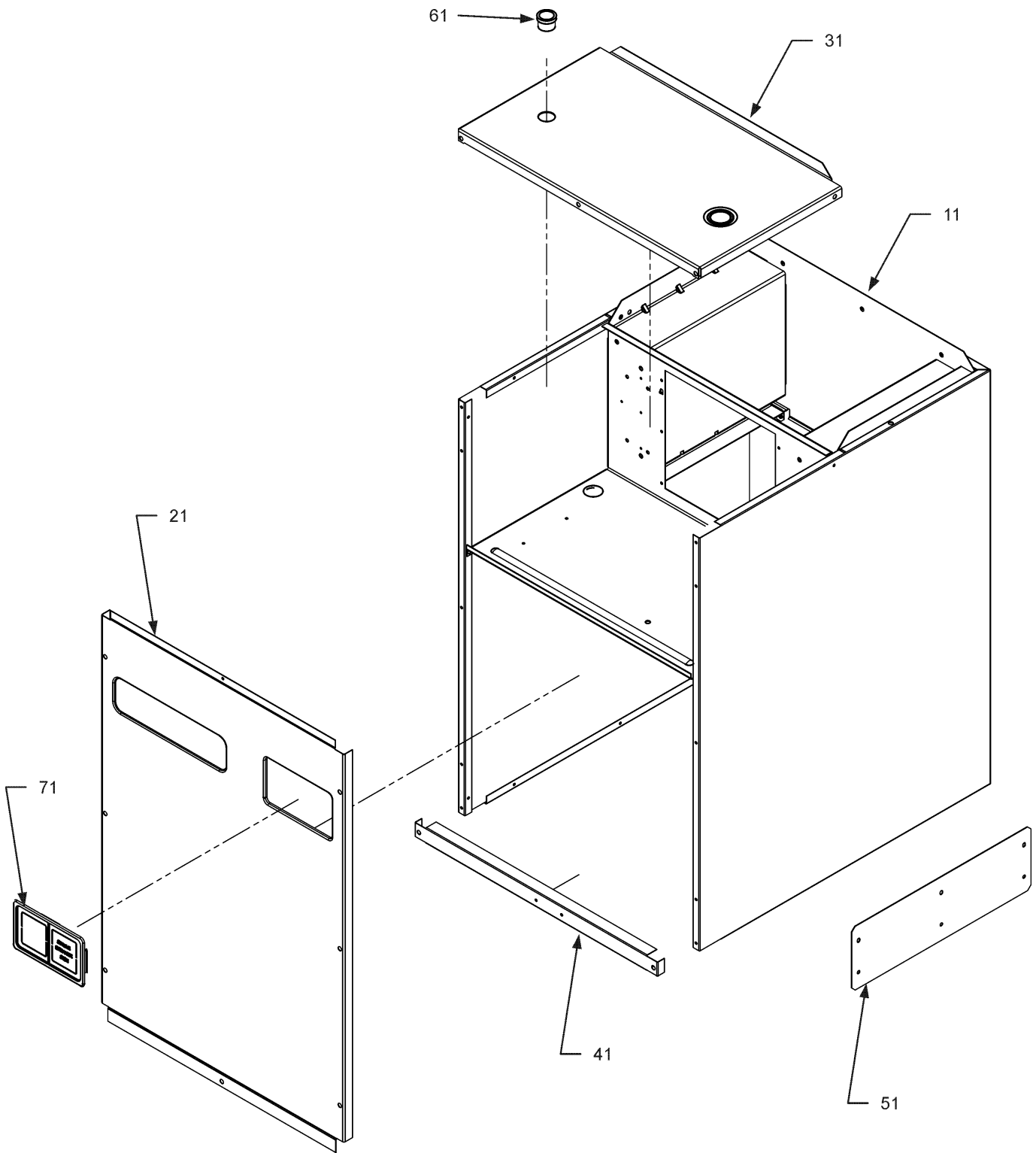
Warranty service must be performed by an authorized technician, using authorized factory parts. If service is required after the warranty expires, Goodman Manufacturing Company, L.P. also recommends contacting an authorized technician and using authorized factory parts.

Goodman Manufacturing Company, L.P. reserves the right to discontinue, or change at any time, specifications or designs without notice or without incurring obligations.

For assistance within the U.S.A. contact:
Consumer Affairs Department
Goodman Manufacturing Company, L.P.
7401 Security Way
Houston, Texas 77040
877-254-4729-Telephone
713-863-2382-Facsimile

For assistance outside the U.S.A. contact:
International Division
Goodman Manufacturing Company, L.P.
7401 Security Way
Houston, Texas 77040
713-861-2500-Telephone
713-863-2382-Facsimile

Cabinet



Functional Parts

Part

No: Description:

11091204	BLOWER MOTOR 1/2 HP, 3 SP, 8 PL (M16, M17, M18)
11091203	BLOWER MOTOR 1/3 HP, 3 SP, 6 PL (M13, M14, M15)
11091202	BLOWER MOTOR 1/3 HP, 3 SP, 6 PL (M10, M11, M12)
11091207	BLOWER MOTOR 1/4 HP, 3 SP, 8 PL (M7, M8, M9)
CAP100000370LA	CAPACITOR 10/370V (M7, M8, M9, M10, M11, M12, M13, M14, M15)
CAP150000370LA	CAPACITOR 15/370V (M16, M17, M18)
BT1340044	ECM MOTOR 1/2 HP (M1, M2)
BT1340046	ECM MOTOR 3/4 HP (M5, M6)
BT1340045	ECM MOTOR 3/4 HP (M3, M4)
PCBFM103	ELECTRONIC BLOWER TIME DELAY (M7, M8, M9, M10, M11, M12, M13, M14, M15, M16, M17, M18)
PCBEM102	PCB, ECM PRIMARY, VSTB (M1, M2, M3, M4, M5, M6)
0130M00138	TRANSFORMER 208/230, 24V

Expanded Model Nomenclature

M1 - MBE1200AA-1AA
M2 - MBE1200AA-1BA
M3 - MBE1600AA-1AA
M4 - MBE1600AA-1BA
M5 - MBE2000AA-1AA
M6 - MBE2000AA-1BA
M7 - MBR0800AA-1AA
M8 - MBR0800AA-1AB
M9 - MBR0800AA-1AC
M10 - MBR1200AA-1AA
M11 - MBR1200AA-1AB
M12 - MBR1200AA-1AC
M13 - MBR1600AA-1AA
M14 - MBR1600AA-1AB
M15 - MBR1600AA-1AC
M16 - MBR2000AA-1AA
M17 - MBR2000AA-1AB
M18 - MBR2000AA-1AC

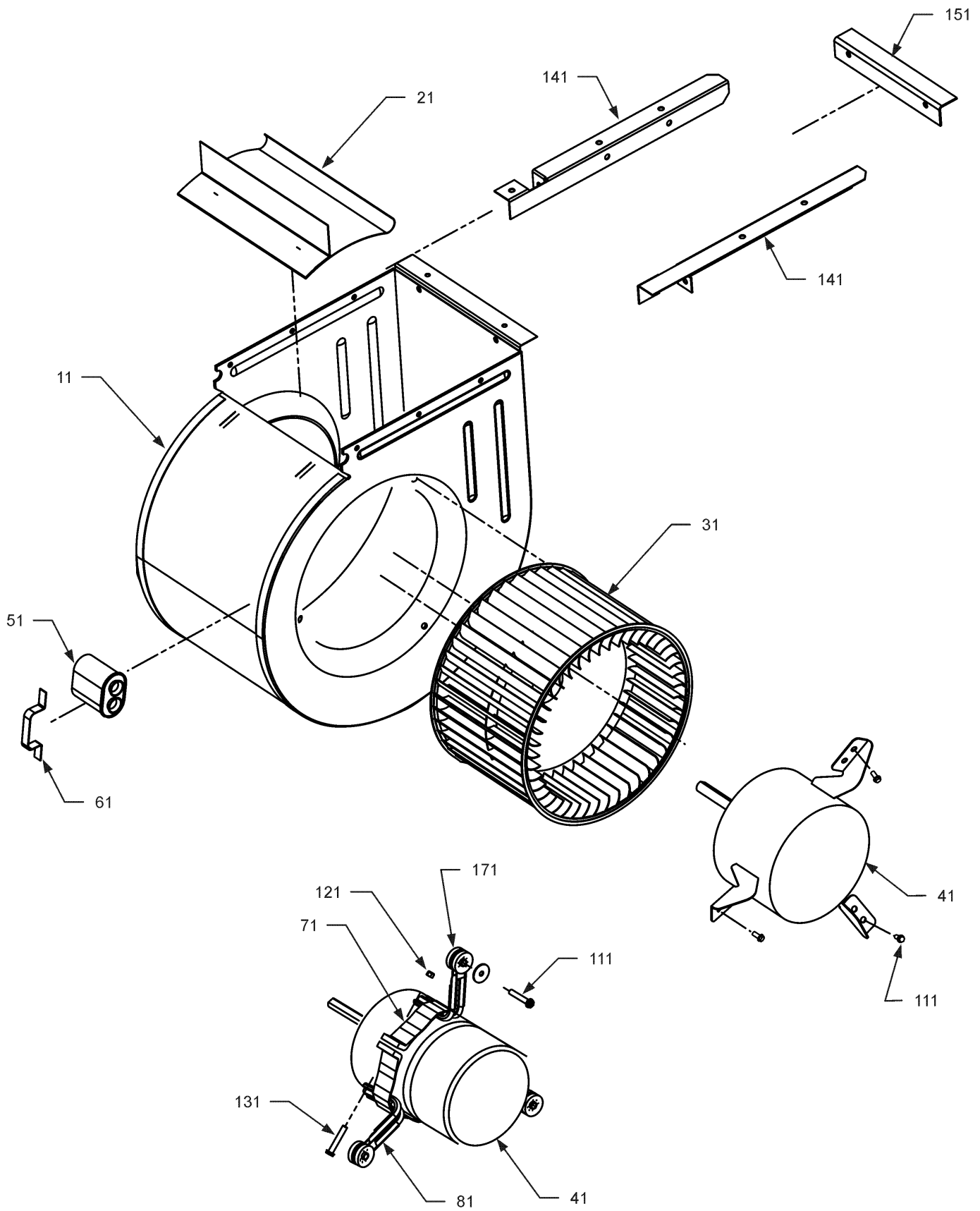
Cabinet

Ref. Part No:	No:	Description:	Ref. Part No:	No:	Description:
Image 1:					
11	5002010PDG	WRAPPER 17.5" X 26" (M1, M2, M7, M8, M9, M10, M11, M12)			
11	5002011PDG	WRAPPER 21" X 30" (M3, M4, M13, M14, M15)			
11	5002012PDG	WRAPPER 24.5" X 30" (M5, M6, M16, M17, M18)			
21	5601500PDG	FRONT PANEL (M1, M2, M7, M8, M9, M10, M11, M12)			
21	5601501PDG	FRONT PANEL (M3, M4, M13, M14, M15)			
21	5601502PDG	FRONT PANEL (M5, M6, M16, M17, M18)			
31	5601000PDG	TOP PLATE (M1, M2, M7, M8, M9, M10, M11, M12)			
31	5601001PDG	TOP PLATE (M3, M4, M13, M14, M15)			
31	5601002PDG	TOP PLATE (M5, M6, M16, M17, M18)			
41	5001205PDG	BOTTOM RAIL 17.5" (M1, M2, M7, M8, M9, M10, M11, M12)			
41	5001209PDG	BOTTOM RAIL 21" (M3, M4, M13, M14, M15)			
41	5001210PDG	BOTTOM RAIL 24.5" (M5, M6, M16, M17, M18)			
51	5651200PDG	TIE-IN PLATE (QTY 2)			
61	B1392107	STRAIN RELIEF (M7, M8, M9, M10, M11, M12, M13, M14, M15, M16, M17, M18)			
61	BT1393416	STRAIN RELIEF BUSHING (M1, M2, M3, M4, M5, M6)			
71	0161A00063	PLASTIC BREAKER INSERT			

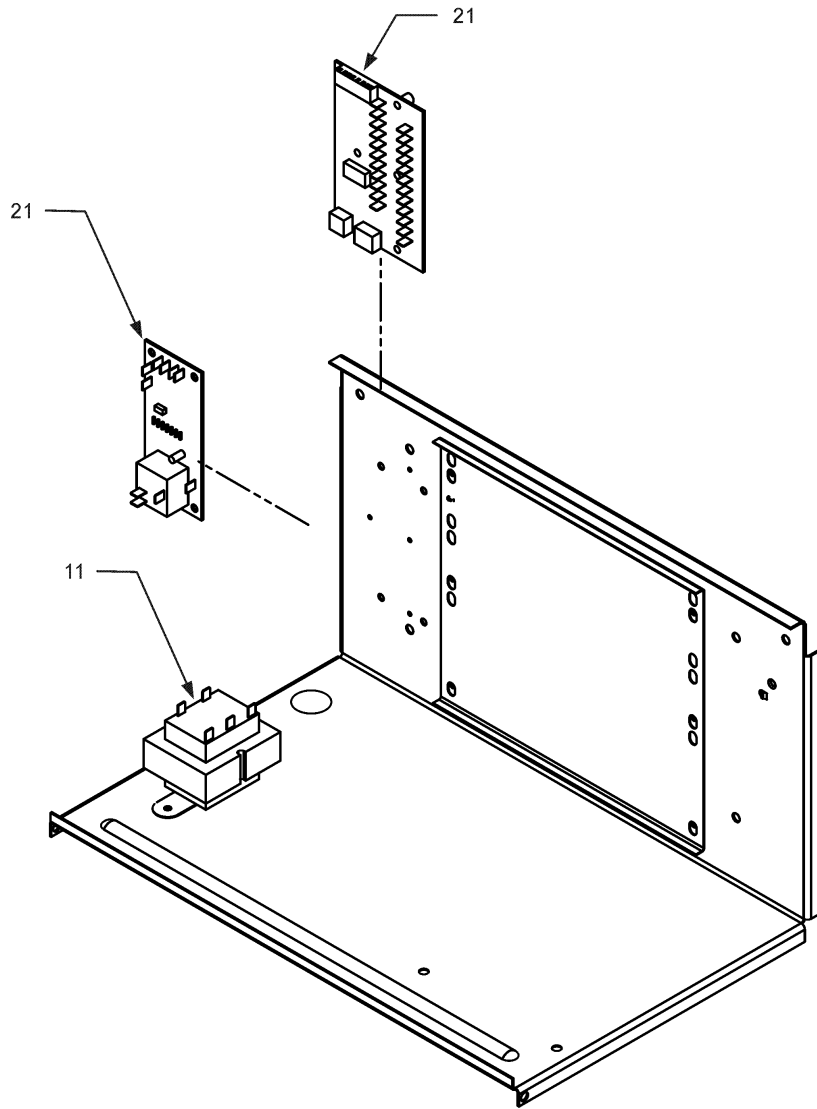
Expanded Model Nomenclature

- M1 - MBE1200AA-1AA
- M2 - MBE1200AA-1BA
- M3 - MBE1600AA-1AA
- M4 - MBE1600AA-1BA
- M5 - MBE2000AA-1AA
- M6 - MBE2000AA-1BA
- M7 - MBR0800AA-1AA
- M8 - MBR0800AA-1AB
- M9 - MBR0800AA-1AC
- M10 - MBR1200AA-1AA
- M11 - MBR1200AA-1AB
- M12 - MBR1200AA-1AC
- M13 - MBR1600AA-1AA
- M14 - MBR1600AA-1AB
- M15 - MBR1600AA-1AC
- M16 - MBR2000AA-1AA
- M17 - MBR2000AA-1AB
- M18 - MBR2000AA-1AC

Blower Assembly



Control/Electrical



Control/Electrical

Ref. Part No:	No:	Description:	Ref. Part No:	No:	Description:
<i>Image 1:</i>					
11	0130M00138	TRANSFORMER 208/230, 24V			
21	PCBFM103	ELECTRONIC BLOWER TIME DELAY (M7, M8, M9, M10, M11, M12, M13, M14, M15, M16, M17, M18)			
21	PCBEM102	PCB, ECM PRIMARY, VSTB (M1, M2, M3, M4, M5, M6)			
NS	0259A00002PF	WIRE ASST, 9 PIN MALE CONN. (M1, M2, M3, M4, M5, M6, M7, M8, M10, M11, M13, M14, M16, M17)			
NS	0259A00027	WIRE ASSY, 9 PIN, FEMALE CONNECTOR (M9, M12, M15, M18)			
NS	0259A00028	WIRE ASSY, 9 PIN, MALE CONNECTOR (M9, M12, M15, M18)			
NS	B1378701	WIRE HARNESS, HIGH VOLTAGE (5-PIN ECM) (M1, M2, M3, M4, M5, M6)			
NS	B1378700	WIRE HARNESS, LOW VOLTAGE (16-PIN ECM) (M1, M2, M3, M4, M5, M6)			

Expanded Model Nomenclature

M1 - MBE1200AA-1AA
M2 - MBE1200AA-1BA
M3 - MBE1600AA-1AA
M4 - MBE1600AA-1BA
M5 - MBE2000AA-1AA
M6 - MBE2000AA-1BA
M7 - MBR0800AA-1AA
M8 - MBR0800AA-1AB
M9 - MBR0800AA-1AC
M10 - MBR1200AA-1AA
M11 - MBR1200AA-1AB
M12 - MBR1200AA-1AC
M13 - MBR1600AA-1AA
M14 - MBR1600AA-1AB
M15 - MBR1600AA-1AC
M16 - MBR2000AA-1AA
M17 - MBR2000AA-1AB
M18 - MBR2000AA-1AC