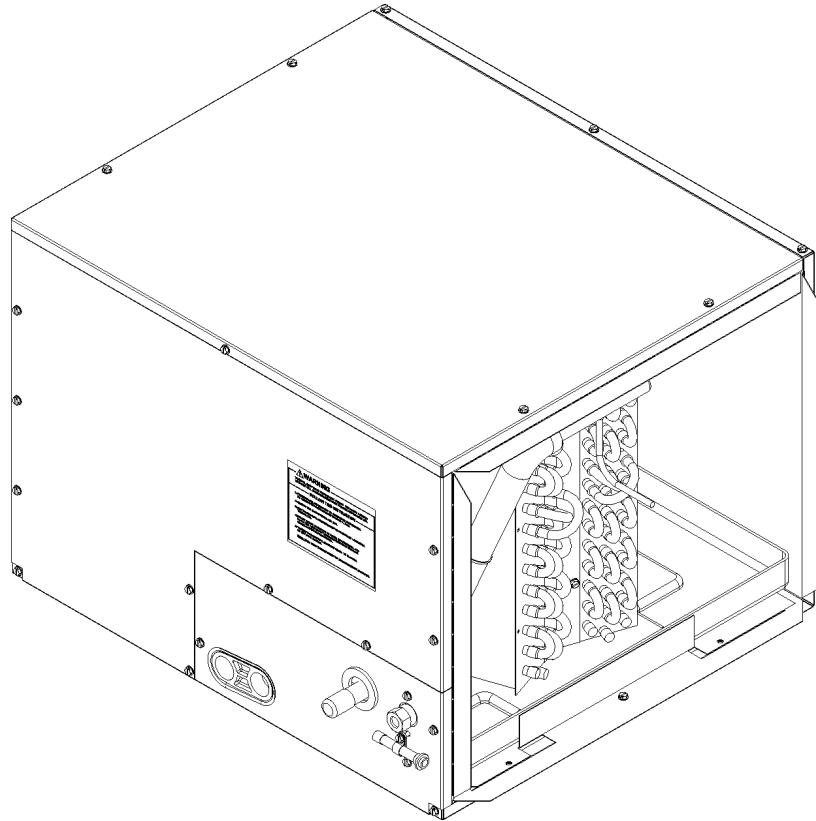

HT SERIES
Horizontal Two-Way Coil

HT-1830
HT-3236
HT-36
HT-4248
HT-4860
HT-61



This manual is to be used by qualified technicians only.

© 2002-2008, 2021 Goodman Manufacturing Company, L.P. ♦ 5151 San Felipe, Suite 500 ♦ Houston, TX 77056

Important Information

Index

Functional Parts List	3
Illustration and Parts	4 - 5

Views shown are for parts illustrations only, not servicing procedures.

Text Codes:

AR - As Required

NA - Not Available

NS - Not Shown

00000000 - See Note

QTY - Quantity Example (QTY 3) (If Quantity not shown, Quantity = 1)

M - Model Example (M1) (If M Code not shown, then part is used on all Models)

Expanded Model Nomenclature:

Example M1 - Model#1 M2 - Model#2 M3 - Model#3

Goodman Manufacturing Company, L.P. is not responsible for personal injury or property damage resulting from improper service. Review all service information before beginning repairs.

Warranty service must be performed by an authorized technician, using authorized factory parts. If service is required after the warranty expires, Goodman Manufacturing Company, L.P. also recommends contacting an authorized technician and using authorized factory parts.

Goodman Manufacturing Company, L.P. reserves the right to discontinue, or change at any time, specifications or designs without notice or without incurring obligations.

For assistance within the U.S.A. contact:
Consumer Affairs Department
Goodman Manufacturing Company, L.P.
7401 Security Way
Houston, Texas 77040
877-254-4729-Telephone
713-863-2382-Facsimile

For assistance outside the U.S.A. contact:
International Division
Goodman Manufacturing Company, L.P.
7401 Security Way
Houston, Texas 77040
713-861-2500-Telephone
713-863-2382-Facsimile

Functional Parts

Part

No: Description:

SPECIAL PARTS

IO-205D INSTALLATION INSTRUCTIONS

PKC-0AB PISTON KIT CHART

RP-263D REPAIR PARTS MANUAL

Expanded Model Nomenclature

M1 - HT-1830

M2 - HT-3236

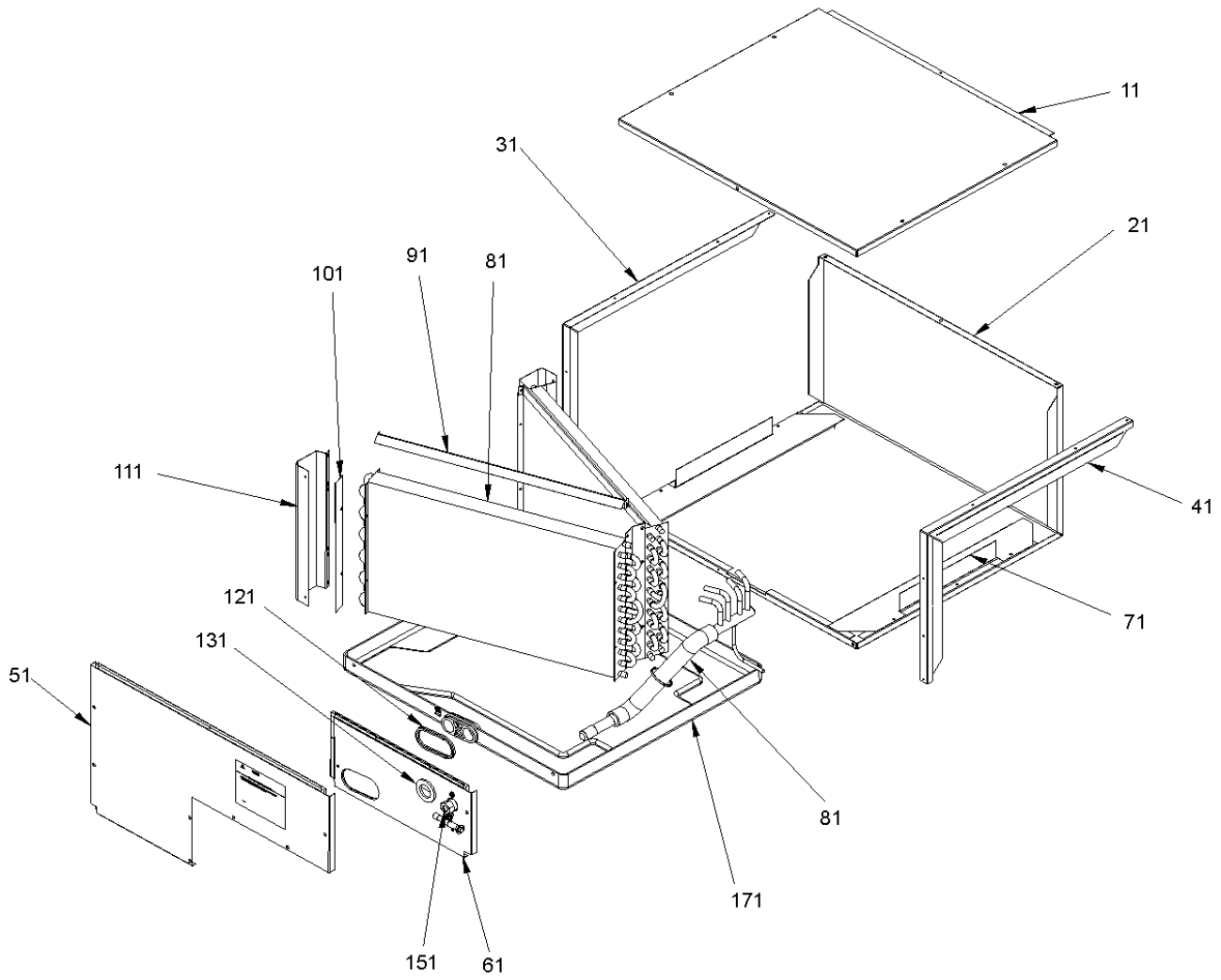
M3 - HT-36

M4 - HT-4248

M5 - HT-4860

M6 - HT-61

Replacement Parts List



Replacement Parts List

Ref. Part No:	No:	Description:	Ref. Part No:	No:	Description:
<i>Image 1:</i>			Expanded Model Nomenclature		
11	3810004P	TOP PANEL (M1, M2, M3, M4)	M1	-	HT-1830
11	3810005P	TOP PANEL (M5, M6)	M2	-	HT-3236
21	3810003P	WRAPPER ASSY LRG (M5, M6)	M3	-	HT-36
21	3810002P	WRAPPER ASSY MED (M3, M4)	M4	-	HT-4248
21	3810001P	WRAPPER ASSY SML (M1, M2)	M5	-	HT-4860
31	3810013P	LEFT FRAME LRG (M5, M6)	M6	-	HT-61
31	3810011P	LEFT FRAME MED (M3, M4)			
31	3810009P	LEFT FRAME SML (M1, M2)			
41	3810014P	RIGHT FRAME LRG (M5, M6)			
41	3810012P	RIGHT FRAME MED (M3, M4)			
41	3810010P	RIGHT FRAME SML (M1, M2)			
51	3810008P	FRONT PANEL LRG (M5, M6)			
51	3810007P	FRONT PANEL MED (M3, M4)			
51	3810006P	FRONT PANEL SML (M1, M2)			
61	3810021P	FRONT ACCESS DOOR			
71	3810022D	BOTTOM RAIL BRACKET (QTY 2)			
81	3830001	TUBING ASSY, EVAP COIL (M1)			
81	3830002	TUBING ASSY, EVAP COIL (M2)			
81	3830003	TUBING ASSY, EVAP COIL (M3)			
81	3830004	TUBING ASSY, EVAP COIL (M4)			
81	3830005	TUBING ASSY, EVAP COIL (M5)			
81	3830006	TUBING ASSY, EVAP COIL (M6)			
91	3810026	COIL BRACKET EXTENSION (M1, M2)			
101	3810029	COIL EXTENSION LRG (M5)			
101	3810028	COIL EXTENSION MED (M3)			
101	3810027	COIL EXTENSION SML (M1)			
121	B1392631	BOTTOM PAN GASKET			
131	B1392630	GROMMET			
151	B1813465B	FLOWRATOR .065 (M1)			
151	B1813671B	FLOWRATOR .071 (M2)			
151	B2413471B	FLOWRATOR .071 (M3)			
151	B2413682B	FLOWRATOR .082 (M4)			
151	B2413690B	FLOWRATOR .090 (M5)			
151	B2413890B	FLOWRATOR .090 (M6)			
171	B1755944	LRG DRAIN PAN (M5, M6)			
171	B1755943	SM & MD DRAIN PAN (M1, M2, M3, M4)			