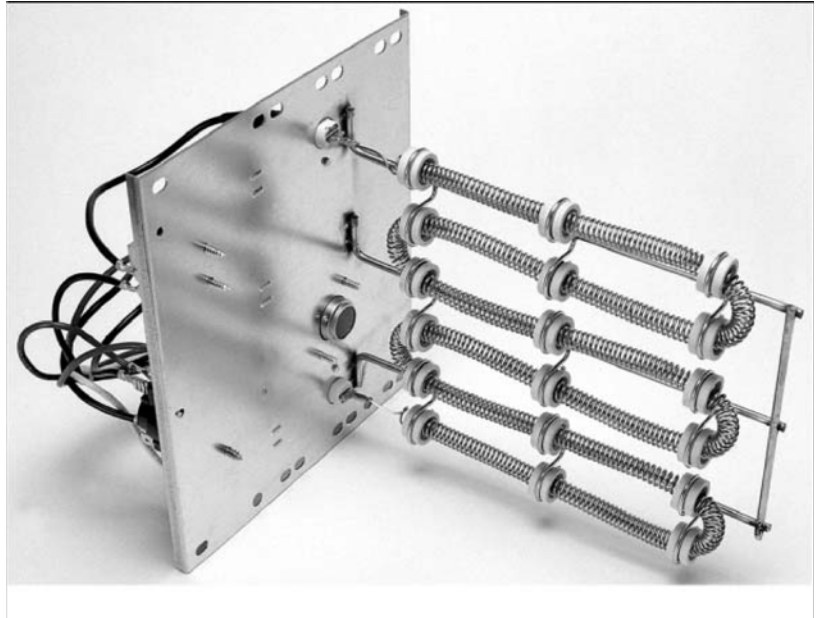


REPAIR PARTS

HKA / HKP / HKR Heater Kits

HKA-15CC
HKA-20CC
HKP-05CC
HKP-05CMB
HKP-10CC
HKP-10CMB
HKP-15CC
HKP-20CC
HKR-03C
HKR-05C
HKR-05CD
HKR-06C
HKR-08C
HKR-08CD
HKR-08CMB
HKR-10C
HKR-10CD
HKR3-15C
HKR3-20C
HKR4-15B
HKR4-20B



This manual is to be used by qualified technicians only.

© 2017 Goodman Manufacturing Company, L.P. ♦ 5151 San Felipe St., Suite 500 ♦ Houston, TX 77056

Important Information

Index

Functional Parts List	3
Illustration and Parts	4 - 15

Views shown are for parts illustrations only, not servicing procedures.

Text Codes:

AR - As Required

NA - Not Available

NS - Not Shown

00000000 - See Note

QTY - Quantity Example (QTY 3) (If Quantity not shown, Quantity = 1)

M - Model Example (M1) (If M Code not shown, then part is used on all Models)

Expanded Model Nomenclature:

Example M1 - Model#1 M2 - Model#2 M3 - Model#3

Goodman Manufacturing Company, L.P. is not responsible for personal injury or property damage resulting from improper service. Review all service information before beginning repairs.

Warranty service must be performed by an authorized technician, using authorized factory parts. If service is required after the warranty expires, Goodman Manufacturing Company, L.P. also recommends contacting an authorized technician and using authorized factory parts.

Goodman Manufacturing Company, L.P. reserves the right to discontinue, or change at any time, specifications or designs without notice or without incurring obligations.

For assistance within the U.S.A. contact:
Homeowner Support
Goodman Manufacturing Company, L.P.
19001 Kermier Road
Waller, Texas 77484
877-254-4729-Telephone
713-863-2382-Facsimile

For assistance outside the U.S.A. contact:
International Division
Goodman Manufacturing Company, L.P.
19001 Kermier Road
Waller, Texas 77484
713-861-2500-Telephone
713-863-2382-Facsimile

Functional Parts

Part No: **Description:**

CBK2PD240VC030 CBK, 2 POLE, DUAL, 120/240V (M11)
 CBK2PD240VC025 CBK, 2 POLE, DUAL, 120/240V (M1, M3, M7)
 CBK2PD240VD050 CBK, 2 POLE, DUAL, 120/240V (M1, M2, M5)
 CBK2PD240VA025 CBK, 2 POLE, DUAL, 120/240V, 25A
 CBK2PD240VD040 CBK, 2 POLE, DUAL, 120/240V, 40A (M14, M15)
 CBK2PD240VD045 CBK, 2 POLE, DUAL, 120/240V, 45A (M2, M7, M8)
 CBK2PD240VA050 CBK, 2 POLE, DUAL, 120/240V, 50A
 CBK2PD240VD060 CBK, 2 POLE, DUAL, 120/240V, 60A (M17)
 CONT2P025024V CONT, 2 POLE, 25 AMP, 24VAC (M1, M2, M3, M4, M7, M8, M9, M10, M11)
 CONT2P040024V CONT, 2 POLE, 40 AMP, 24 VAC (M5, M6, M12, M13, M14, M15, M16, M17)
 CONT3P040024V CONTACTOR 40 AMP, 3P, 24V (M18, M19, M20, M21)
 0200086001P FUSELINK (M1, M2, M3, M4, M5, M6, M7, M8, M9, M10, M11, M12, M13, M14, M15, M16, M17)
 0175M00041 HEATER ELEMENT (M12)
 0175M00042 HEATER ELEMENT (M13)
 B1037515 HEATER ELEMENT 4.75 KW
 0175M00043 HEATER ELEMENT 4.75 KW (M5, M6, M16, M17)
 B1037518 HEATER ELEMENT 9.50 KW
 0175M00053 HEATER ELEMENT 3.00 KW (M9)
 B1037521 HEATER ELEMENT 3-PHASE 15.00 KW (M18)
 B1037522 HEATER ELEMENT 3-PHASE 20.00 KW (M19)
 0175M00000 HEATER ELEMENT 3-PHASE 460 15.00 KW (M20)
 0175M00001 HEATER ELEMENT 3-PHASE 460 20.00 KW (M21)
 0175M00040 HEATER ELEMENT 4.75 KW (M3, M4, M10, M11)
 0175K00000 HEATER ELEMENT, 14.25KW (M1, M7)
 0175K00001 HEATER ELEMENT, 19.00 KW (M2, M8)
 0200054001P LIMIT (M1, M2, M3, M4, M5, M6, M7, M8, M9, M10, M11, M12, M13, M14, M15, M16, M17)
 B1256559 SEQUENCER (M18, M19, M20, M21)
 B1256558 SEQUENCER
 0130K00012 TERMINAL BLOCK (M12, M13, M16)

Expanded Model Nomenclature

M1 - HKA-15CC
 M2 - HKA-20CC
 M3 - HKP-05CC
 M4 - HKP-05CMB
 M5 - HKP-10CC
 M6 - HKP-10CMB
 M7 - HKP-15CC
 M8 - HKP-20CC
 M9 - HKR-03C
 M10 - HKR-05C
 M11 - HKR-05CD
 M12 - HKR-06C
 M13 - HKR-08C
 M14 - HKR-08CD
 M15 - HKR-08CMB
 M16 - HKR-10C
 M17 - HKR-10CD
 M18 - HKR3-15C
 M19 - HKR3-20C
 M20 - HKR4-15B
 M21 - HKR4-20B

HKA-15C/20C

IMAGE 1

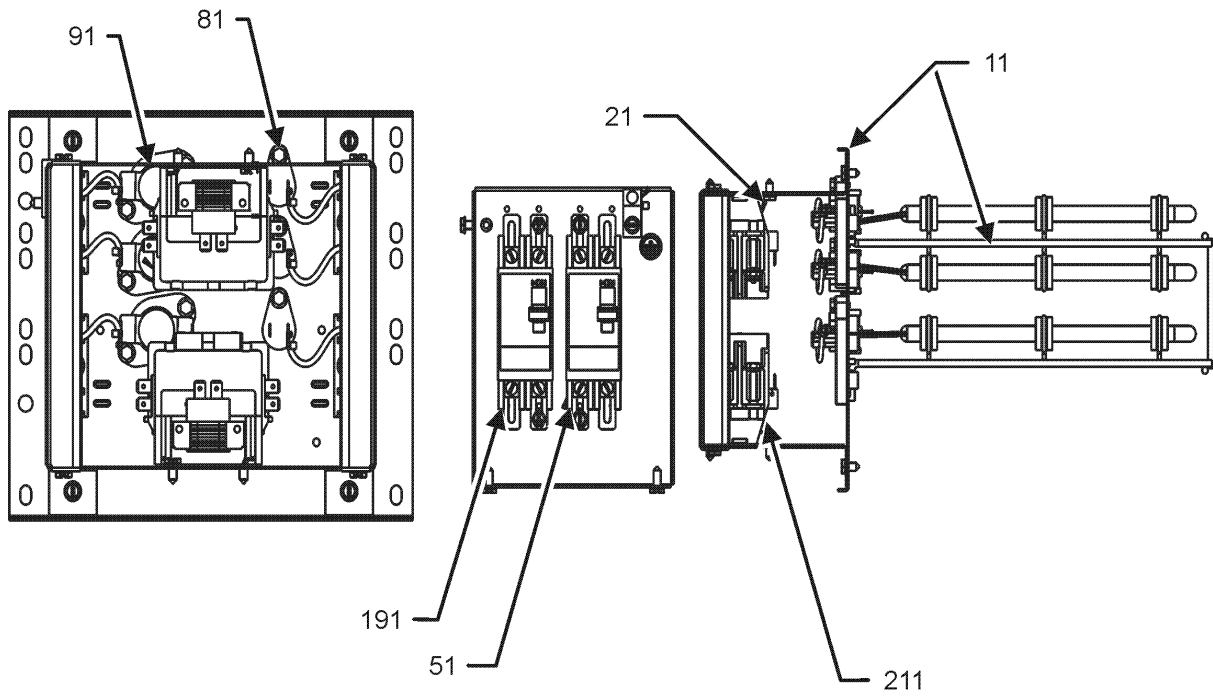
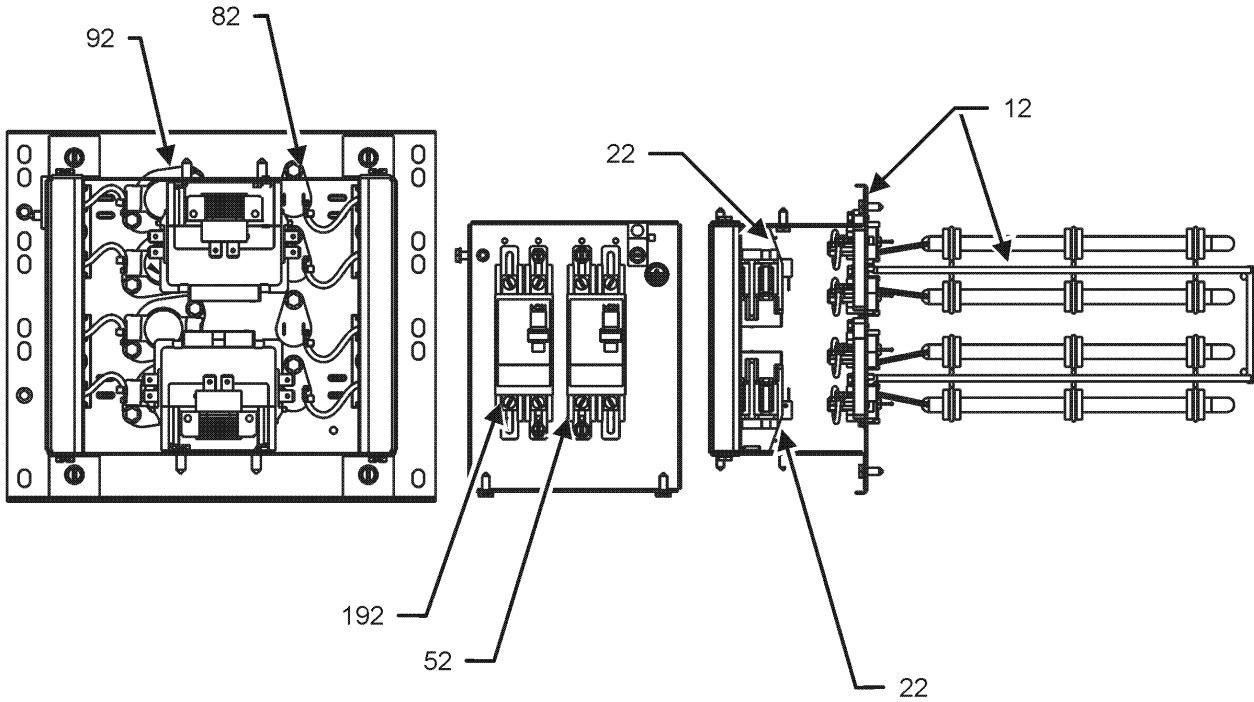


IMAGE 2



HKA-15C/20C

Ref. Part No:	Description:	Ref. Part No:	Description:
---------------	--------------	---------------	--------------

Image 1:

11	0175K00000	HEATER ELEMENT, 14.25KW (M1, M7)
21	CONT2P025024V	CONTACTOR 25 AMP, 2P, 24V (M1, M7)
51	CBK2PD240VC025	CBK, 2 POLE, DUAL, 120/240V (M1, M7)
81	0200086001P	FUSELINK (M1, M7)
91	0200054001P	LIMIT (M1, M7)
191	CBK2PD240VD050	CBK, 2 POLE, DUAL, 120/240V (M1)
191	CBK2PD240VD045	CBK, 2 POLE, DUAL, 120/240V, 45A (M7)
211	CONT2P040024V	CONT, 2 POLE, 40 AMP, 24VAC (M1, M7)
NS	0259K00004S	WIRE HARNESS ASSY (M1)

Image 2:

12	0175K00001	HEATER ELEMENT, 19.00 KW (M2, M8)
22	CONT2P040024V	CONT, 2 POLE, 40 AMP, 24VAC (M2, M8)
52	CBK2PD240VD045	CBK, 2 POLE, DUAL, 120/240V, 45A (M2, M8)
82	0200086001P	FUSELINK (M2, M8)
92	0200054001P	LIMIT (M2, M8)
192	CBK2PD240VD050	CBK, 2 POLE, DUAL, 120/240V (M2)
192	CBK2PD240VD045	CBK, 2 POLE, DUAL, 120/240V, 45A (M8)
NS	0259K00002S	WIRE HARNESS ASSY (M2)
NS	0259K00017	WIRE HARNESS ASSY (M8)

Expanded Model Nomenclature

M1 - HKA-15CC
M2 - HKA-20CC
M3 - HKP-05CC
M4 - HKP-05CMB
M5 - HKP-10CC
M6 - HKP-10CMB
M7 - HKP-15CC
M8 - HKP-20CC
M9 - HKR-03C
M10 - HKR-05C
M11 - HKR-05CD
M12 - HKR-06C
M13 - HKR-08C
M14 - HKR-08CD
M15 - HKR-08CMB
M16 - HKR-10C
M17 - HKR-10CD
M18 - HKR3-15C
M19 - HKR3-20C
M20 - HKR4-15B
M21 - HKR4-20B

HKP-05C/10C

IMAGE 1

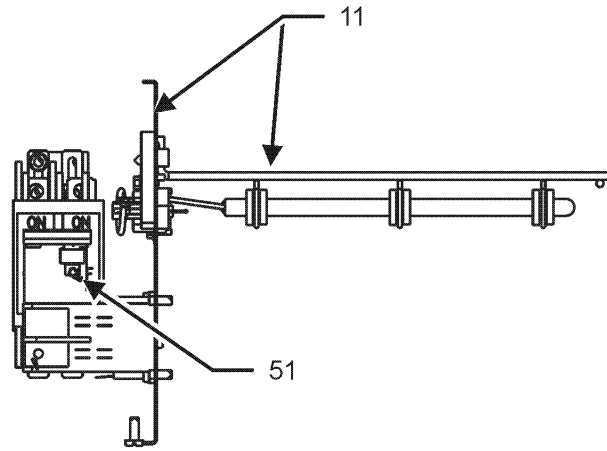
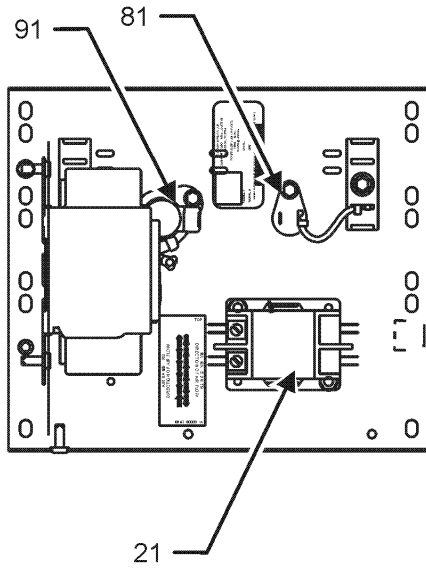
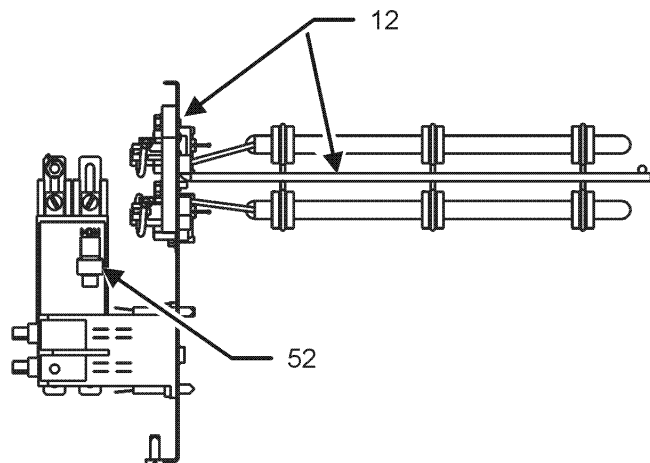
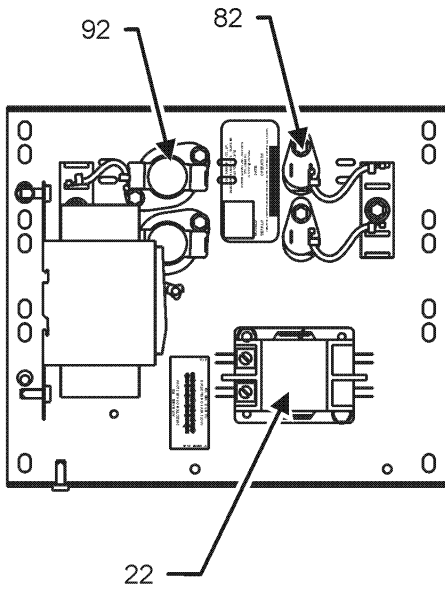


IMAGE 2



HKP-05C/10C

Ref. Part No: No:	Description:	Ref. Part No: No:	Description:
-------------------	--------------	-------------------	--------------

Image 1:

11	0175M00040	HEATER ELEMENT 4.75 KW (M3)
21	CONT2P025024V	CONT, 2 POLE, 25 AMP, 24VAC (M3)
51	CBK2PD240VC025	CBK, 2 POLE, DUAL, 120/240V, 50A (M3)
81	0200086001P	FUSELINK (M3)
91	0200054001P	LIMIT (M3)
NS	0259K00004S	WIRE HARNESS ASSY (M3)

Image 2:

12	0175M00043	HEATER ELEMENT 4.75 KW (M5)
22	CONT2P040024V	CONT, 2 POLE, 40 AMP, 24 VAC (M5)
52	CBK2PD240VD050	CBK, 2 POLE, DUAL, 120/240V (M5)
82	0200086001P	FUSELINK (M5)
92	0200054001P	LIMIT (M5)
NS	0259K00004S	WIRE HARNESS ASSY (M5)

Expanded Model Nomenclature

M1 - HKA-15CC
M2 - HKA-20CC
M3 - HKP-05CC
M4 - HKP-05CMB
M5 - HKP-10CC
M6 - HKP-10CMB
M7 - HKP-15CC
M8 - HKP-20CC
M9 - HKR-03C
M10 - HKR-05C
M11 - HKR-05CD
M12 - HKR-06C
M13 - HKR-08C
M14 - HKR-08CD
M15 - HKR-08CMB
M16 - HKR-10C
M17 - HKR-10CD
M18 - HKR3-15C
M19 - HKR3-20C
M20 - HKR4-15B
M21 - HKR4-20B

IMAGE 1

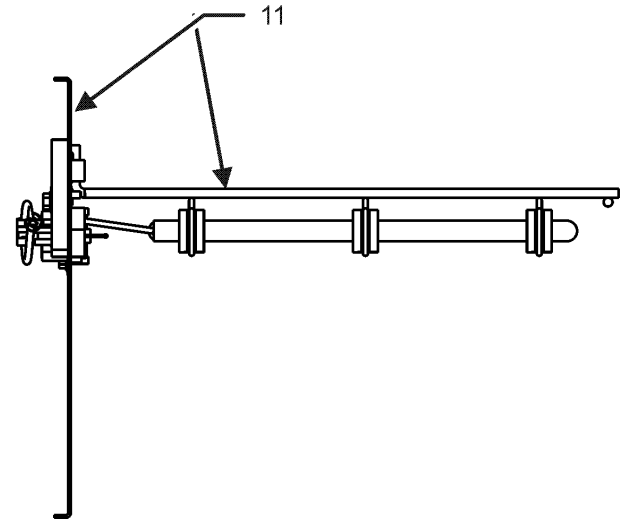
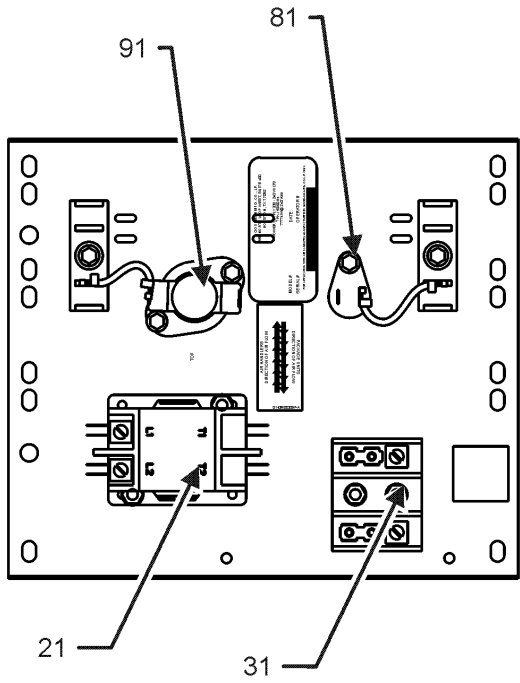
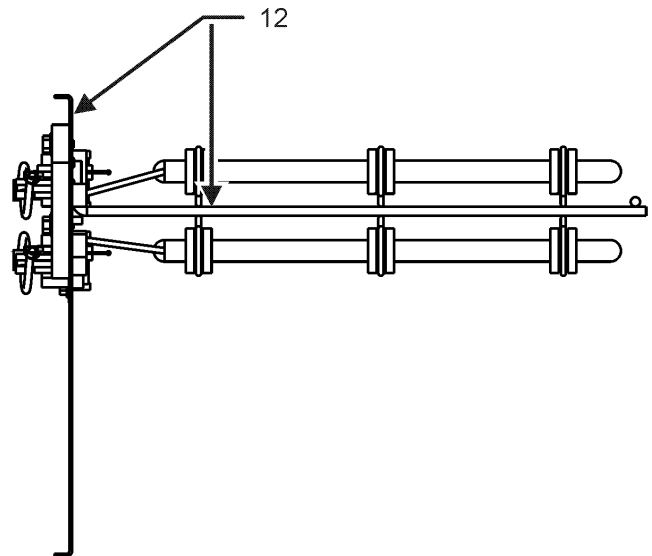
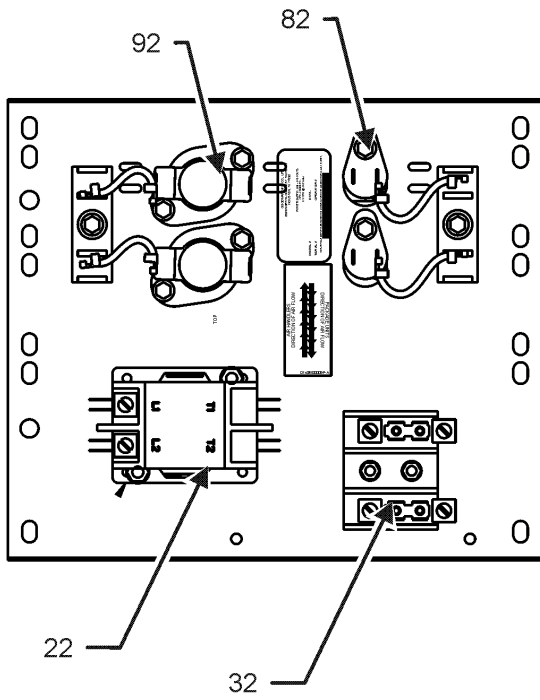


IMAGE 2



HKR-03/05/06/08/10

Ref. Part No:	No:	Description:	Ref. Part No:	No:	Description:
---------------	-----	--------------	---------------	-----	--------------

Image 1:

11	0175M00040	HEATER ELEMENT 4.75 KW (M10)
11	0175M00053	HEATER ELEMENT 3.00 KW (M9)
21	CONT2P025024V	CONT, 2 POLE, 25 AMP, 24VAC (M9, M10)
31	B1368250	TERMINAL BLOCK A-10 KW (M9, M10)
81	0200086001P	FUSELINK (M9, M10)
91	0200054001P	LIMIT (M9, M10)
NS	0259K00004S	WIRE HARNESS ASSY (M9, M10)

Image 2:

12	0175M00041	HEATER ELEMENT (M12)
12	0175M00042	HEATER ELEMENT (M13)
12	0175M00043	HEATER ELEMENT (M16)
22	CONT2P040024V	CONT, 2 POLE, 40 AMP, 24 VAC (M12, M13, M16)
32	0130K00012	TERMINAL BLOCK (M12, M13, M16)
82	0200086001P	FUSELINK (M12, M13, M16)
92	0200054001P	LIMIT (M12, M13, M16)
NS	0259K00004S	WIRE HARNESS ASSY (M12, M13, M16)

Expanded Model Nomenclature

M1 - HKA-15CC
M2 - HKA-20CC
M3 - HKP-05CC
M4 - HKP-05CMB
M5 - HKP-10CC
M6 - HKP-10CMB
M7 - HKP-15CC
M8 - HKP-20CC
M9 - HKR-03C
M10 - HKR-05C
M11 - HKR-05CD
M12 - HKR-06C
M13 - HKR-08C
M14 - HKR-08CD
M15 - HKR-08CMB
M16 - HKR-10C
M17 - HKR-10CD
M18 - HKR3-15C
M19 - HKR3-20C
M20 - HKR4-15B
M21 - HKR4-20B

HKR-05C/08C/08CM/10C

IMAGE 1

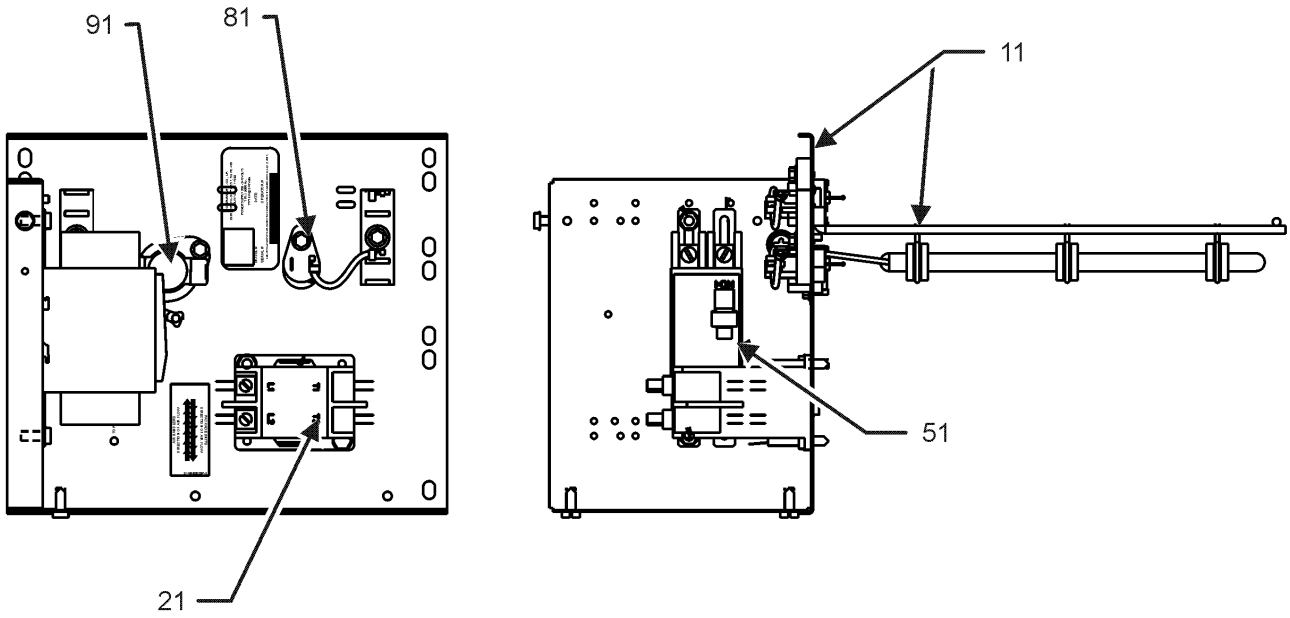
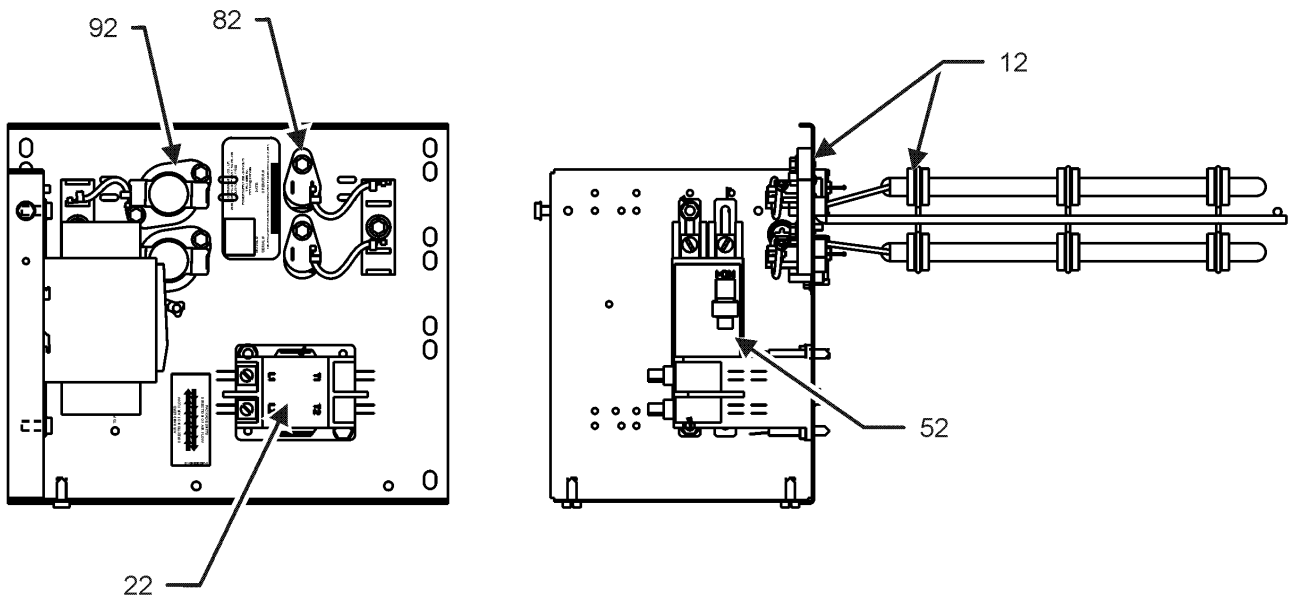


IMAGE 2



HKR-05C/08C/08CM/10C

Ref. Part No: No:	Description:	Ref. Part No: No:	Description:
-------------------	--------------	-------------------	--------------

Image 1:

11	0175M00040	HEATER ELEMENT 4.75 KW (M11)
21	CONT2P025024V	CONT, 2 POLE, 25 AMP, 24VAC (M11)
51	CBK2PD240VC030	CBK, 2 POLE, DUAL, 120/240V (M11)
81	0200086001P	FUSELINK (M11)
91	0200054001P	LIMIT (M11)
NS	0259K00004S	ASSY, WIRE HARNESS (M11)

Image 2:

12	0175M00042	HEATER ELEMENT (M14, M15)
12	0175M00043	HEATER ELEMENT (M17)
22	CONT2P040024V	CONT, 2 POLE, 40 AMP, 24VAC (M14, M15, M17)
52	CBK2PD240VD040	CBK, 2 POLE, DUAL, 120/240V, 40A (M14, M15)
52	CBK2PD240VD060	CBK, 2 POLE, DUAL, 120/240V, 60A (M17)
82	0200086001P	FUSELINK (M14, M15, M17)
92	0200054001P	LIMIT (M14, M15, M17)
NS	0259K00004S	ASSY, WIRE HARNESS (M14, M15, M17)

Expanded Model Nomenclature

- M1 - HKA-15CC
- M2 - HKA-20CC
- M3 - HKP-05CC
- M4 - HKP-05CMB
- M5 - HKP-10CC
- M6 - HKP-10CMB
- M7 - HKP-15CC
- M8 - HKP-20CC
- M9 - HKR-03C
- M10 - HKR-05C
- M11 - HKR-05CD
- M12 - HKR-06C
- M13 - HKR-08C
- M14 - HKR-08CD
- M15 - HKR-08CMB
- M16 - HKR-10C
- M17 - HKR-10CD
- M18 - HKR3-15C
- M19 - HKR3-20C
- M20 - HKR4-15B
- M21 - HKR4-20B

HKP-05CM/10CM

IMAGE 1

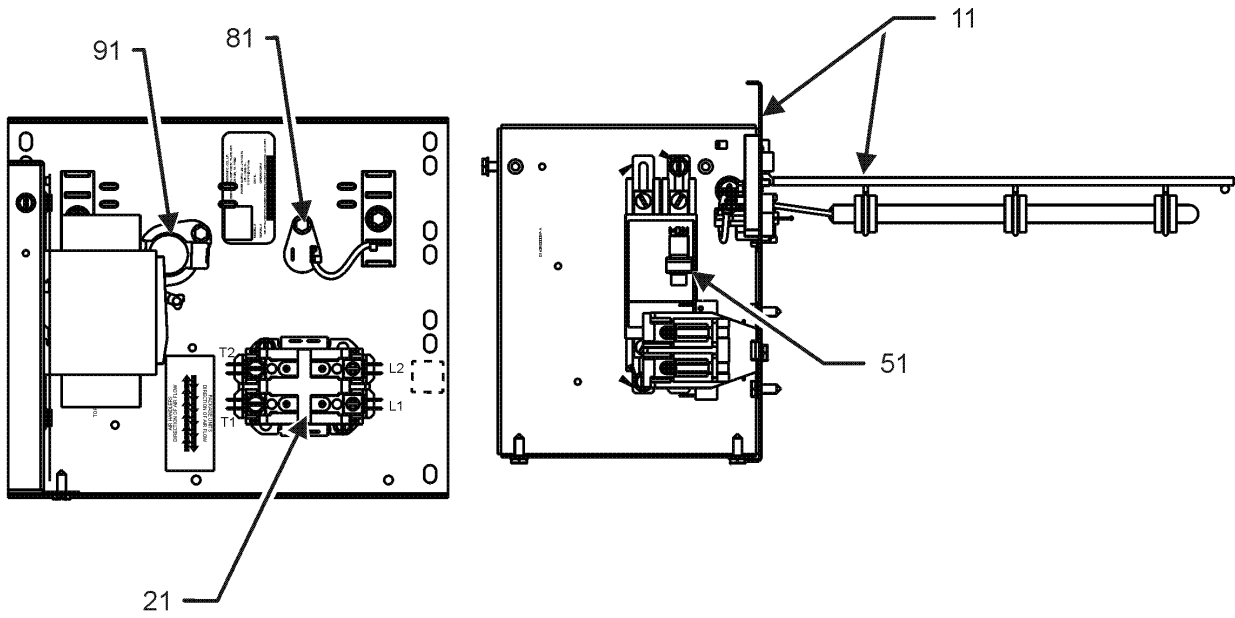
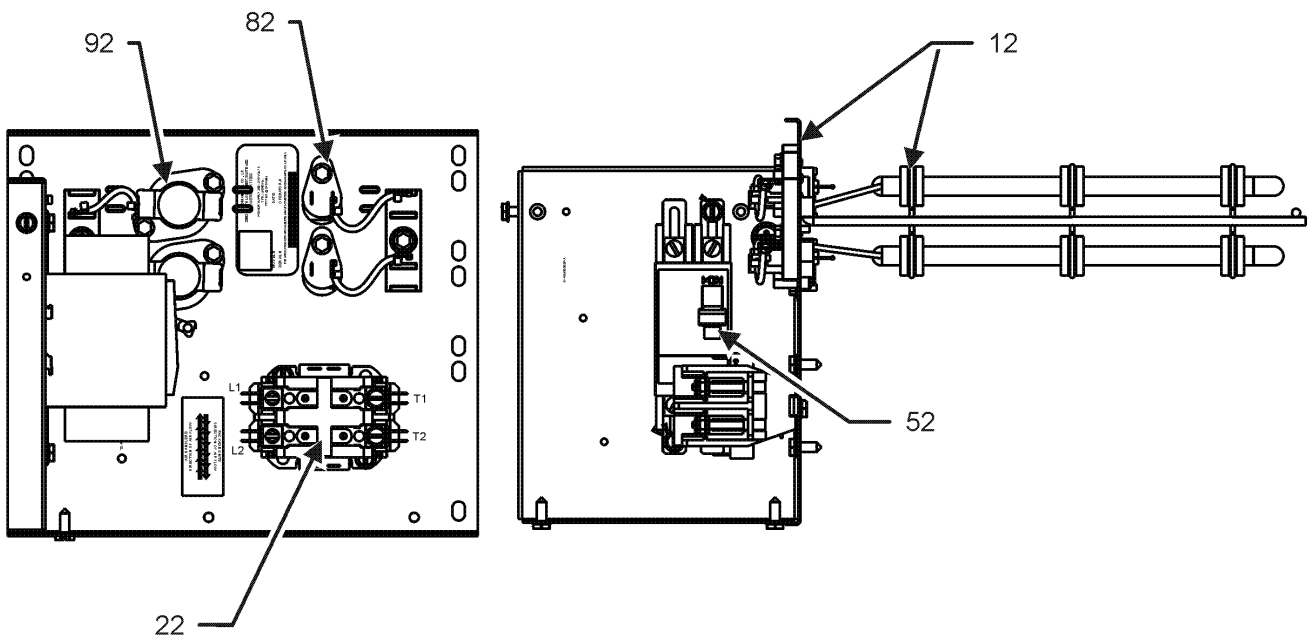


IMAGE 2



HKP-05CM/10CM

Ref. Part No: No:	Description:	Ref. Part No: No:	Description:
-------------------	--------------	-------------------	--------------

Image 1:

11	0175M00040	HEATER ELEMENT 4.75 KW (M4)
21	CONT2P025024V	CONT, 2 POLE, 25 AMP, 24 VAC (M4)
51	CBK2PD240VC025	CBK, 2 POLE, DUAL, 120/240V (M4)
81	0200086001P	FUSELINK (M4)
91	0200054001P	LIMIT (M4)
NS	0259K00004S	WIRE HARNESS ASSY (M4)

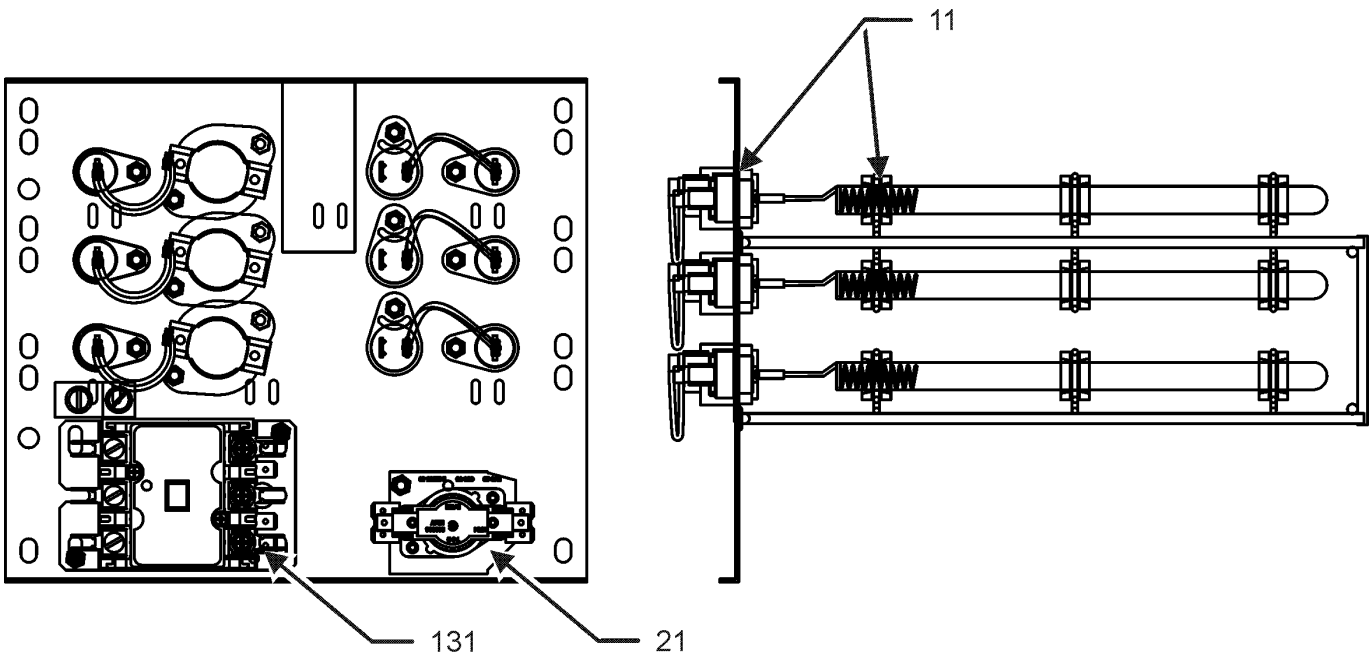
Image 2:

12	0175M00043	HEATER ELEMENT (M6)
22	CONT2P040024V	CONTACTOR 40 AMP, 2P, 24V (M6)
52	CBK2PD240VD050	CBK, 2 POLE, DUAL, 120/240V (M6)
82	0200086001P	FUSELINK (M6)
92	0200054001P	LIMIT (M6)
NS	0259K00004S	WIRE HARNESS ASSY (M6)

Expanded Model Nomenclature

M1 - HKA-15CC
M2 - HKA-20CC
M3 - HKP-05CC
M4 - HKP-05CMB
M5 - HKP-10CC
M6 - HKP-10CMB
M7 - HKP-15CC
M8 - HKP-20CC
M9 - HKR-03C
M10 - HKR-05C
M11 - HKR-05CD
M12 - HKR-06C
M13 - HKR-08C
M14 - HKR-08CD
M15 - HKR-08CMB
M16 - HKR-10C
M17 - HKR-10CD
M18 - HKR3-15C
M19 - HKR3-20C
M20 - HKR4-15B
M21 - HKR4-20B

HKR3-15/20 and HKR4-15/20



HKR3-15/20 and HKR4-15/20

Ref. Part No:	Part No:	Description:	Ref. Part No:	Part No:	Description:
---------------	----------	--------------	---------------	----------	--------------

Image 1:

11	B1037521	HEATER ELEMENT 3-PHASE 15.00 KW (M18)
11	B1037522	HEATER ELEMENT 3-PHASE 20.00 KW (M19)
11	0175M00000	HEATER ELEMENT 3-PHASE 460 15.00 KW (M20)
11	0175M00001	HEATER ELEMENT 3-PHASE 460 20.00 KW (M21)
21	B1256559	SEQUENCER (M18, M19, M20, M21)
131	CONT3P040024V	CONTACTOR 40 AMP, 3P, 24V (M18, M19, M20, M21)
NS	0259K00003S	ASSY, WIRE HARNESS (M18, M19, M20, M21)
NS	B1368250	TERMINAL BLOCK (HIGH VOLTAGE) (M18, M19, M20, M21)

Expanded Model Nomenclature

M1 - HKA-15CC
M2 - HKA-20CC
M3 - HKP-05CC
M4 - HKP-05CMB
M5 - HKP-10CC
M6 - HKP-10CMB
M7 - HKP-15CC
M8 - HKP-20CC
M9 - HKR-03C
M10 - HKR-05C
M11 - HKR-05CD
M12 - HKR-06C
M13 - HKR-08C
M14 - HKR-08CD
M15 - HKR-08CMB
M16 - HKR-10C
M17 - HKR-10CD
M18 - HKR3-15C
M19 - HKR3-20C
M20 - HKR4-15B
M21 - HKR4-20B