

HEH154H Package Terminal Heat Pump

HEH154H35AXXXGA

HEH154H50AXXXGA



Amana[®] is a registered trademark of Maytag Corporation or its related companies and is used under license. All rights reserved.

This manual is to be used by qualified technicians only.

© 2019 Goodman Company, L.P. ♦ 5151 San Felipe St, Suite 500 ♦ Houston, TX 77056

Important Information

Index

Functional Parts List	3
Illustration and Parts	4 - 13

Views shown are for parts illustrations only, not servicing procedures

Text Codes:

AR - As Required

NA - Not Available

NS - Not Shown

00000000 - See Note

QTY - Quantity Example (QTY 3) (If Quantity not shown, Quantity = 1)

M - Model Example (M1) (If M Code not shown, then part is used on all Models)

Expanded Model Nomenclature:

Example M1 - Model#1 M2 - Model#2 M3 - Model#3

Goodman Company, L.P. is not responsible for personal injury or property damage resulting from improper service. Review all service information before beginning repairs.

Warranty service must be performed by an authorized technician, using authorized factory parts. If service is required after the warranty expires, Goodman Company, L.P. also recommends contacting an authorized technician and using authorized factory parts.

Goodman Company, L.P. reserves the right to discontinue, or change at any time, specifications or designs without notice or without incurring obligations.

For assistance within the U.S.A. contact:

Homeowner Support
Goodman Company, L.P.
19001 Kermier Road
Waller, Texas 77484
877-254-4729-Telephone
713-863-2382-Facsimile

For assistance outside the U.S.A. contact:

International Division
Goodman Company, L.P.
19001 Kermier Road
Waller, Texas 77484
713-861-2500-Telephone
713-863-2382-Facsimile

Functional Parts

Part

No: Description:

20406303	BASE PAN VALVE
CAP020250450CS	CAP, 2/25 MFD/450V/DUAL RD
50A367QM-9GKG	COMPRESSOR, RECHI
RSKP0012	CONTROL BOARD M70
RSKP0015	CONTROL PANEL COVER AND MEMBRANE
0130P00128	CORD, 277V, 20A (M1)
0130P00129	CORD, 277V, 30A (M2)
0131P00029	FAN MOTOR, INDOOR
0131P00030	FAN MOTOR, OUTDOOR DC
0161P00055	FAN, CONDENSER
A3410403	FUSE 20A (M1)
A3410404	FUSE 25A (M2)
0275P00041	HEATER ASSY (M2)
0275P00040	HEATER ASSY (M1)
PCBEP104	INDOOR DC CONTROL MOTOR
PCBEP105	OUTDOOR DC CONTROL MOTOR
60343525	OVERLOAD PROTECTOR
0151P00014	PTAC Reversing Valve Assy
0130P00022	REVERSING VALVE COIL
0130M00169	SWITCH, HIGH PRESS
802007090	TERMINAL BOARD
0130P00164	THERMISTOR IAT BLACK
0130P00159	THERMISTOR ICT RED
0130P00134	THERMISTOR IDT YELLOW
0130P00130	THERMISTOR OCT BLUE
0130M00342	TRANSFORMER 20VA 265V (QTY 2)
0150P00005	WHEEL, BLOWER

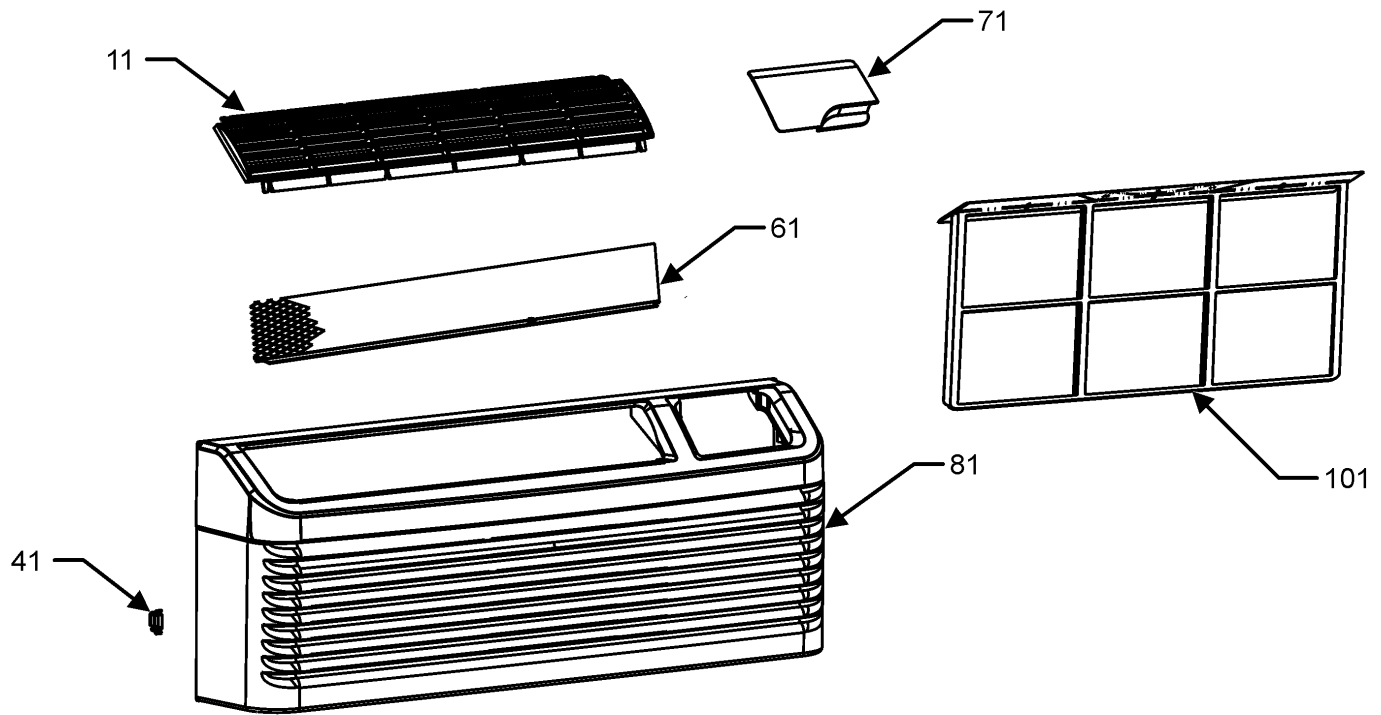
Expanded Model Nomenclature

M1 - HEH154H35AXXXGA

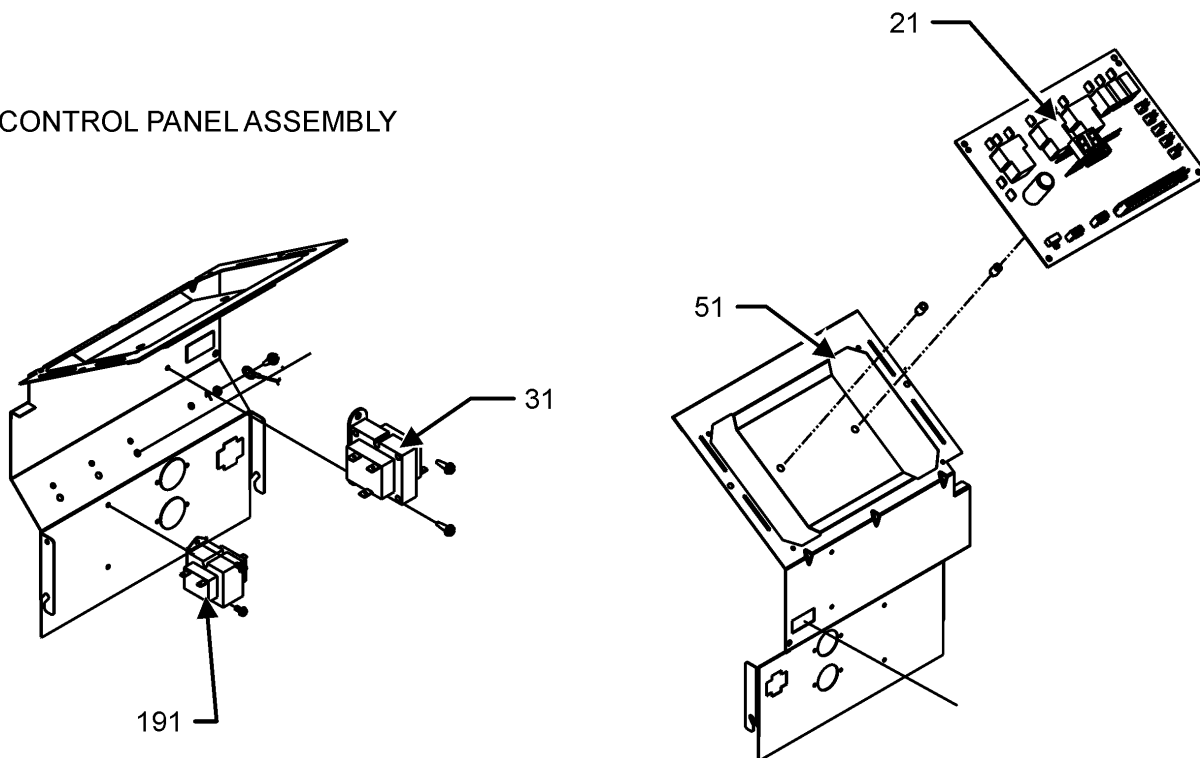
M2 - HEH154H50AXXXGA

Front Panel / Control Board Assembly

FRONT PANEL ASSEMBLY



CONTROL PANEL ASSEMBLY



Front Panel / Control Board Assembly

Ref. Part No:	No:	Description:	Ref. Part No:	No:	Description:
---------------	-----	--------------	---------------	-----	--------------

Image 1:

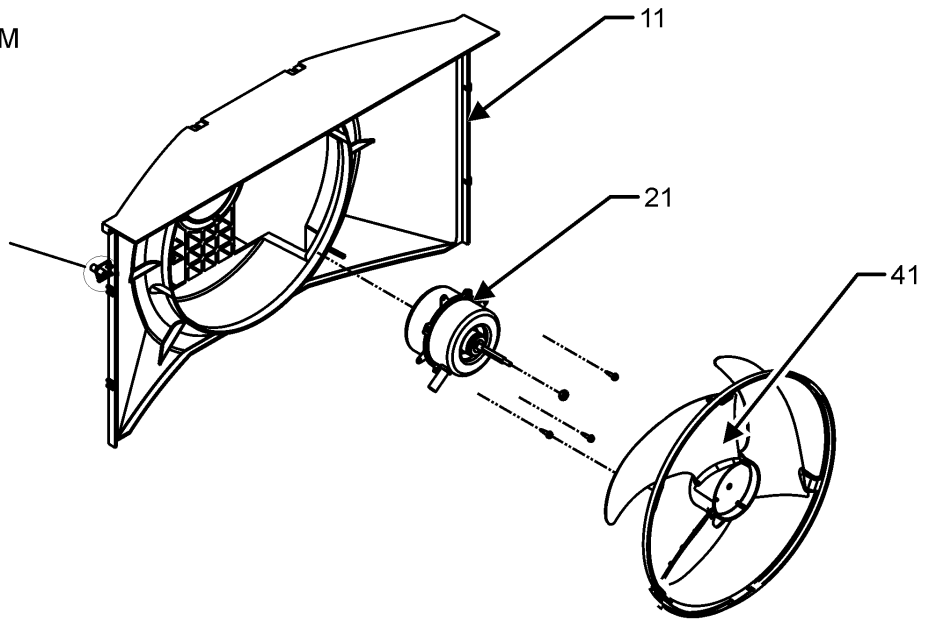
11	0161P00048	FRONT, LOUVERS DISCHARGE
21	RSKP0012	CONTROL BOARD M70
31	0130M00342	TRANSFORMER 20VA 265V
41	0163P00025	CLIP (QTY 2)
51	0121P00130	PANEL, CONTROL
61	0121P00194BL	SCREEN, DISCHARGE, PAINTED
71	0261P00003	DOOR ASSY -AMANA-
81	0261P00011	FRONT ASSY
101	0161P00035	FILTER, RACK (QTY 2)
191	0130M00342	TRANSFORMER 20VA 265V
NS	C6476002	BAYONET FUSE HOLDER (M1)
NS	C6476003	BAYONET FUSE HOLDER (M2)
NS	A3410403	FUSE 20A (M1)
NS	A3410404	FUSE 25A (M2)

Expanded Model Nomenclature

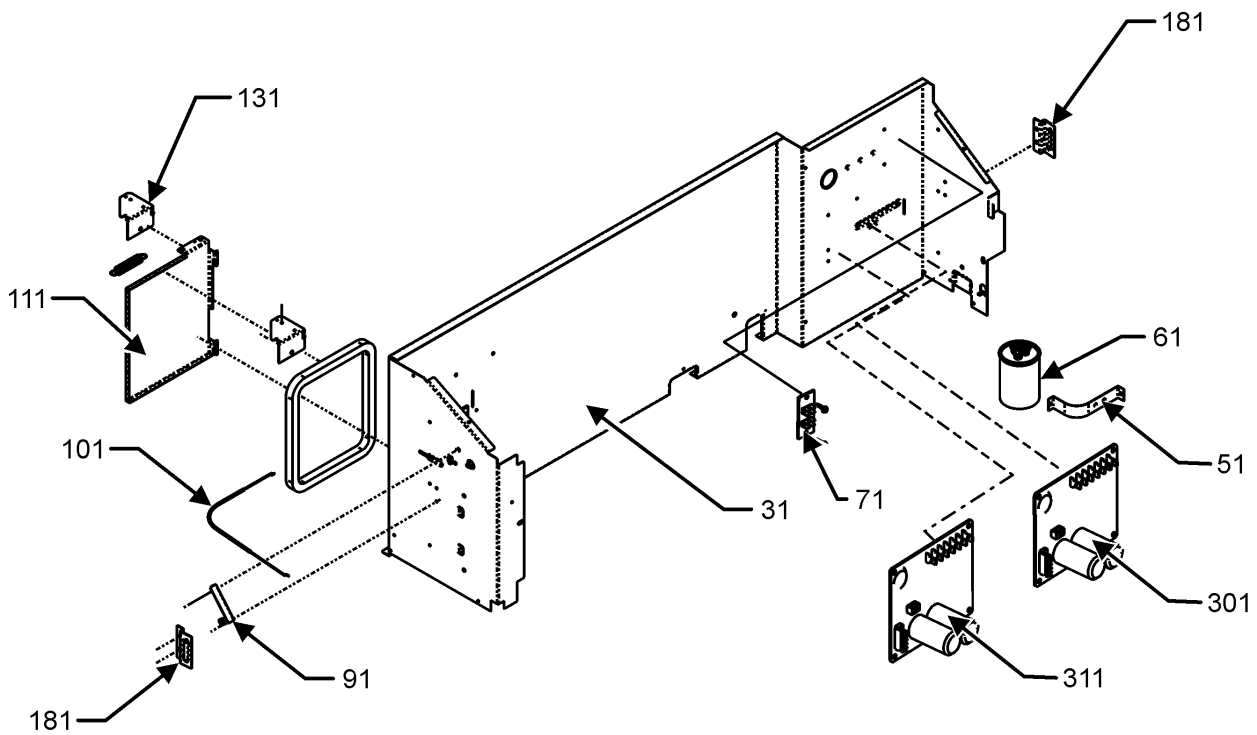
M1 - HEH154H35AXXXGA
M2 - HEH154H50AXXXGA

Outdoor Air System / Partition Panel

OUTDOOR AIR SYSTEM



PARTITION PANEL ASSEMBLY



Outdoor Air System / Partition Panel

Ref. Part No:	No:	Description:	Ref. Part No:	No:	Description:
---------------	-----	--------------	---------------	-----	--------------

Image 1:

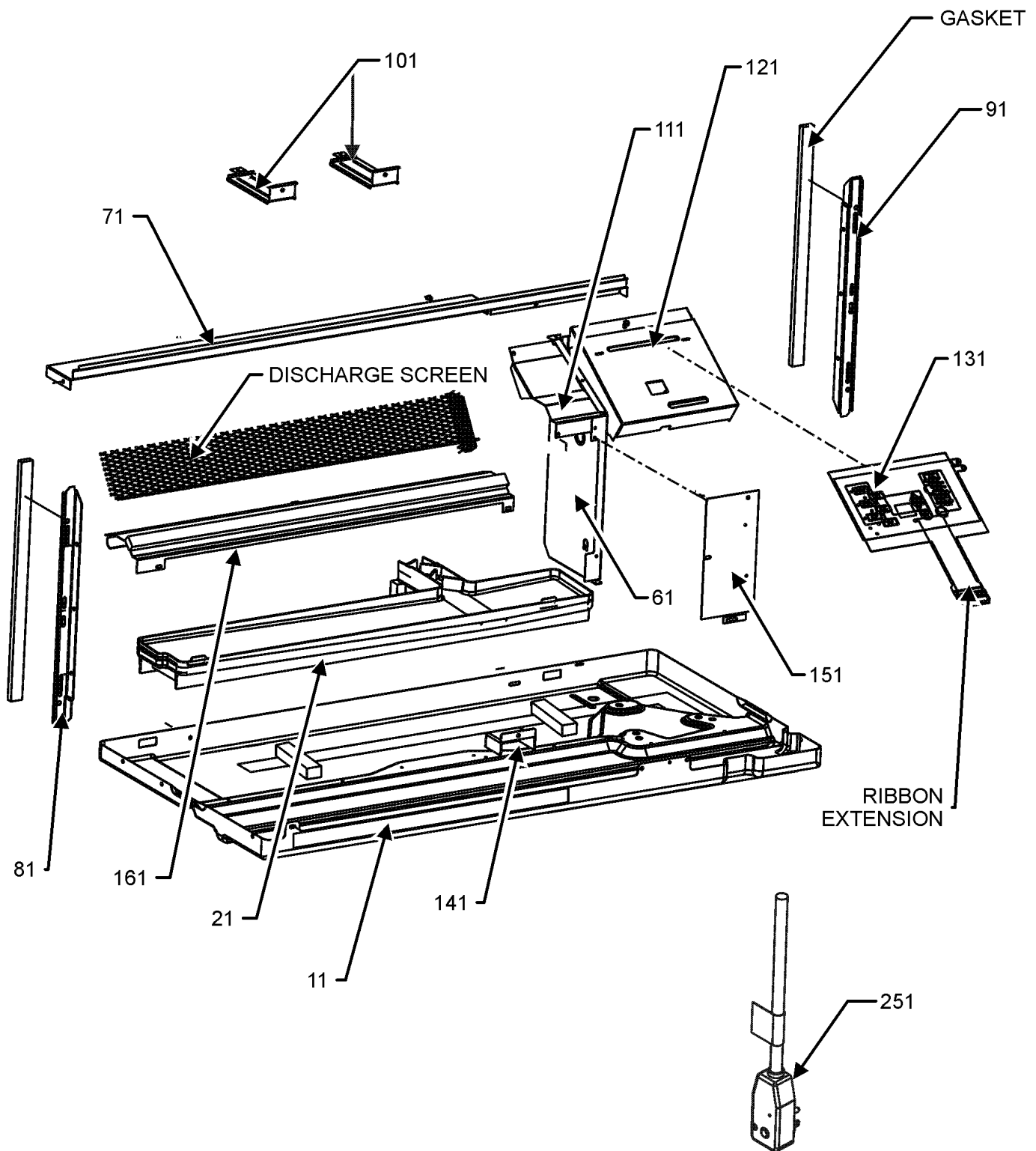
11	0161P00110	CONDENSER SHROUD
21	0131P00030	FAN MOTOR, OUTDOOR DC
31	0121P00108	PANEL-PARTITION
41	0161P00055	FAN, CONDENSER
51	C6300502	CAPACITOR STRAP
61	CAP020250450CS	CAP, 2/25 MFD/450V/DUAL RD
71	802007090	TERMINAL BOARD
91	11046302	LEVER ARM
101	0163P00019	CABLE
111	0121P00177	DOOR-VENT PTC
131	0121P00072	BRACKET, VENT DOOR-C
181	11191703	PARTITION PANEL BRACKET (QTY 2)
301	PCBEP105	OUTDOOR DC CONTROL MOTOR
311	PCBEP104	INDOOR DC CONTROL MOTOR

Expanded Model Nomenclature

M1 - HEH154H35A XXXGA
M2 - HEH154H50A XXXGA

Base Pan Assembly

BASE PAN ASSEMBLY



Base Pan Assembly

Ref. Part No:	No:	Description:	Ref. Part No:	No:	Description:
---------------	-----	--------------	---------------	-----	--------------

Image 1:

11	0121P00175DG	BASE PAN			
21	0161P00044	PLASTIC-DRAIN PAN			
61	0121P00278	PANEL-MID PTN PTC			
71	0121P00063	TOP, PARTITION PANEL			
81	0121P00197	SEAL-L SIDE PTC			
91	0121P00198	SEAL-R SIDE PTC			
101	0121P00071	BRACE, TIE (QTY 2)			
111	0121P00070DG	COVER, MOTOR			
121	0121P00280	COVER-CONTROL PANEL			
131	RSKP0015	CONTROL PANEL COVER AND MEMBRANE			
141	0161P00016	PLASTIC-HOOD			
151	20410801	ACCESS COVER			
161	0121P00061DG	CUTOFF-SCROLL DG			
251	0130P00128	CORD, 277V, 20A (M1)			
251	0130P00129	CORD, 277V, 30A (M2)			
NS	0130P00109	MEMBRANE (CONTROL)			

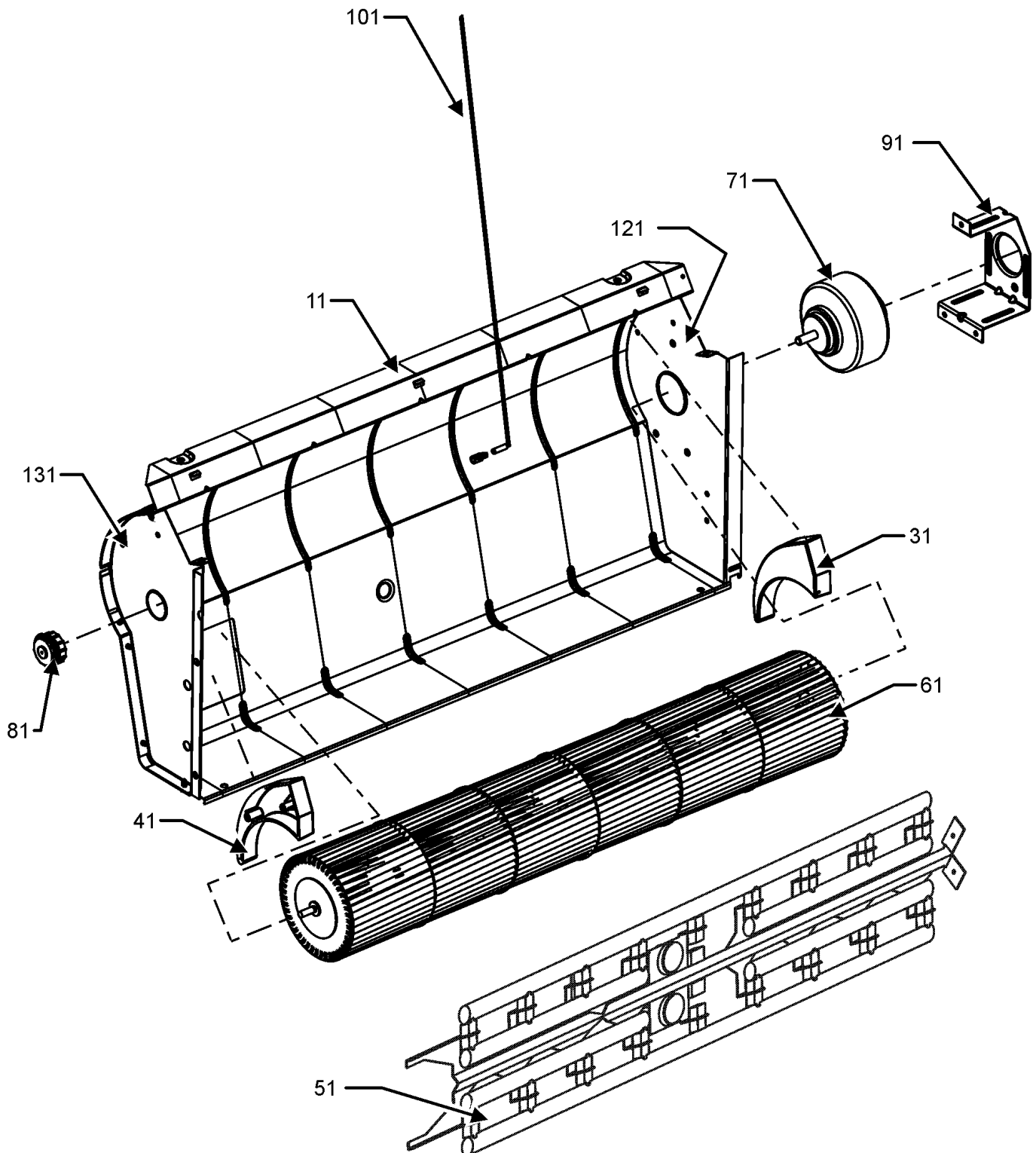
Expanded Model Nomenclature

M1 - HEH154H35A XXXGA

M2 - HEH154H50A XXXGA

Indoor Blower Assembly

INDOOR BLOWER ASSEMBLY



Indoor Blower Assembly

Ref. Part No:	No:	Description:	Ref. Part No:	No:	Description:
---------------	-----	--------------	---------------	-----	--------------

Image 1:

11	0121P00173DG	SCROLL
31	0161P00021	END CAP, RIGHT
41	0161P00022	END CAP, LEFT
51	0275P00040	HEATER ASSY (M1)
51	0275P00041	HEATER ASSY (M2)
61	0150P00005	WHEEL, BLOWER
71	0131P00029	FAN MOTOR, IN DOOR
81	0163P00027	BEARING
91	0121P00048	BRACKET-MOTOR MOUNT
101	0130P00134	THERMISTOR IDT YELLOW
121	0121P00059DG	ENDPLATE-RH SCROLL
131	0121P00215DG	ENDPLATE-LH SCROLL, PNT

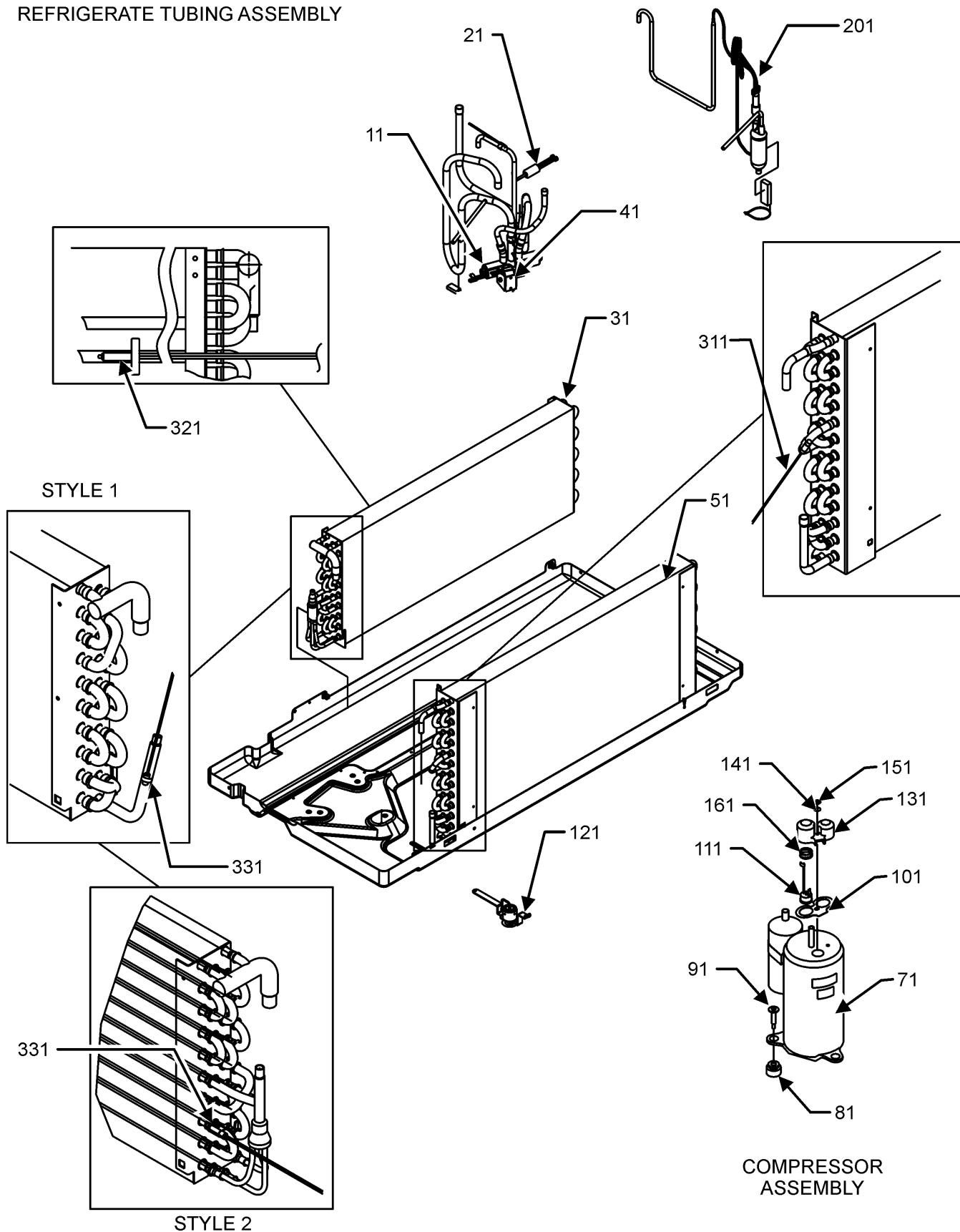
Expanded Model Nomenclature

M1 - HEH154H35A XXXGA

M2 - HEH154H50A XXXGA

Refrigerant Tubing Assembly

REFRIGERATE TUBING ASSEMBLY



Refrigerant Tubing Assembly

Ref. Part No:	No:	Description:	Ref. Part No:	No:	Description:
---------------	-----	--------------	---------------	-----	--------------

Image 1:

11	0151P00014	PTAC Reversing Valve Assy
21	0130M00169	SWITCH, HIGH PRESS
31	0202P00094	7MM EVAP ASSY 3 ROW
41	0130P00022	REVERSING VALVE COIL
51	0201P00135	7MM CONDENSER COIL ASSY
71	50A367QM-9GKG	COMPRESSOR, RECHI
81	60140209	GROMMET - RECHI COMPRESSOR (QTY 3)
91	M0253610	SCREW-SHLDR (QTY 3)
101	60100103	TERMINAL GASKET
111	60343525	OVERLOAD PROTECTOR
121	20406303	BASE PAN VALVE
131	60100314	TERMINAL COVER - RECHI COMP
141	60100201	WASHER - RECHI COMPRESSOR
151	60100401	TERMINAL NUT - RECHI COMP
161	60500101	OLP SPRING - RECHI COMPRESSOR
201	0210P00462	CAPILLARY ASSY
311	0130P00130	THERMISTOR OCT BLUE
321	0130P00164	THERMISTOR IAT BLACK
331	0130P00159	THERMISTOR ICT RED

Expanded Model Nomenclature

M1 - HEH154H35A XXXGA

M2 - HEH154H50A XXXGA