

## HEH094H Package Terminal Heat Pump

HEH094H35AXXXCA



Amana® is a registered trademark of Maytag Corporation or its related companies and is used under license. All rights reserved.

This manual is to be used by qualified technicians only.

© 2016 Goodman Company, L.P. ♦ 5151 San Felipe St., Suite 500 ♦ Houston, TX 77056

# Important Information

---

## Index

Functional Parts List .....	3
Illustration and Parts .....	4 - 13

*Views shown are for parts illustrations only, not servicing procedures*

### Text Codes:

AR - As Required

NA - Not Available

NS - Not Shown

00000000 - See Note

QTY - Quantity Example (QTY 3) (If Quantity not shown, Quantity = 1)

M - Model Example (M1) (If M Code not shown, then part is used on all Models)

### Expanded Model Nomenclature:

Example M1 - Model#1 M2 - Model#2 M3 - Model#3
---

Goodman Company, L.P. is not responsible for personal injury or property damage resulting from improper service. Review all service information before beginning repairs.

Warranty service must be performed by an authorized technician, using authorized factory parts. If service is required after the warranty expires, Goodman Company, L.P. also recommends contacting an authorized technician and using authorized factory parts.

Goodman Company, L.P. reserves the right to discontinue, or change at any time, specifications or designs without notice or without incurring obligations.

For assistance within the U.S.A. contact:

Consumer Affairs Department

Goodman Company, L.P.

7401 Security Way

Houston, Texas 77040

877-254-4729-Telephone

713-863-2382-Facsimile

For assistance outside the U.S.A. contact:

International Division

Goodman Company, L.P.

7401 Security Way

Houston, Texas 77040

713-861-2500-Telephone

713-863-2382-Facsimile

# Functional Parts

## Part

## No:

## Description:

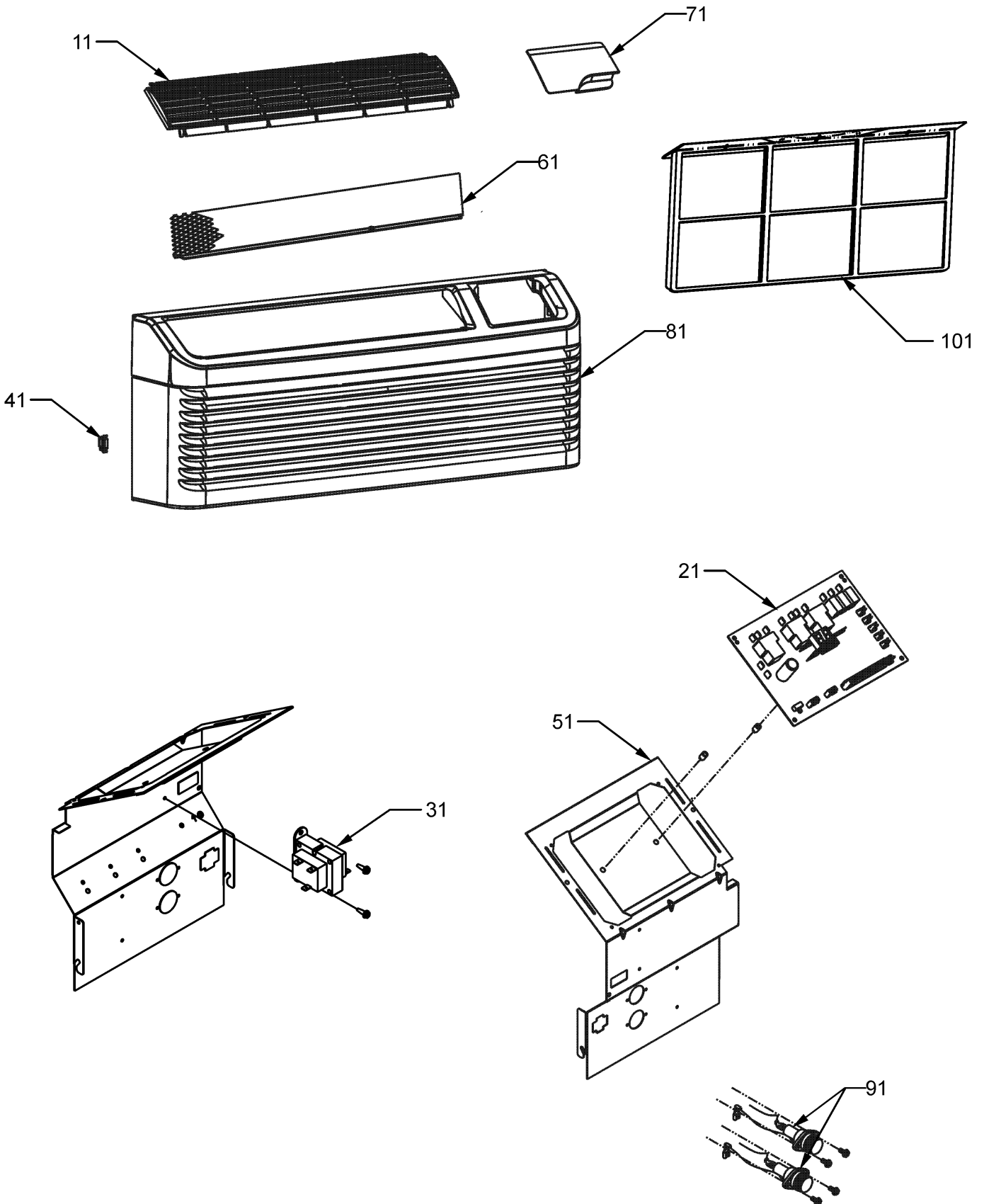
---

20406303	BASE PAN VALVE
CAP020250450CS	CAPACITOR 2/25/450V/DUAL RD
44A207A	COMPRESSOR, RECHI
RSKP0012	CONTROL BOARD M70
RSKP0015	CONTROL PANEL COVER AND MEMBRANE
0130P00128	CORD, 277V, 20A
0131P00029	FAN MOTOR, INDOOR
0131P00030	FAN MOTOR, OUTDOOR DC
0161P00030	FAN, CONDENSER
A3410403	FUSE 20A
0275P00040	HEATER ASSY
PCBEP104	INDOOR DC CONTROL MOTOR
PCBEP105	OUTDOOR DC CONTROL MOTOR
60343516	OVERLOAD PROTECTOR
0151P00001	REVERSING VALVE ASSY-265V
0130P00022	REVERSING VALVE COIL
0130M00169	SWITCH, HIGH PRESS
802007090	TERMINAL BOARD
0130P00130	THERMISTOR
0130P00074	THERMISTOR
0130P00134	THERMISTOR - DISCHARGE
0130P00086	THERMISTOR - INDOOR COIL
0130M00152	TRANSFORMER
0150P00004	WHEEL, BLOWER

### Expanded Model Nomenclature

M1 - HEH094H35AXXXCA
----------------------

# Control Panel / Front Assembly



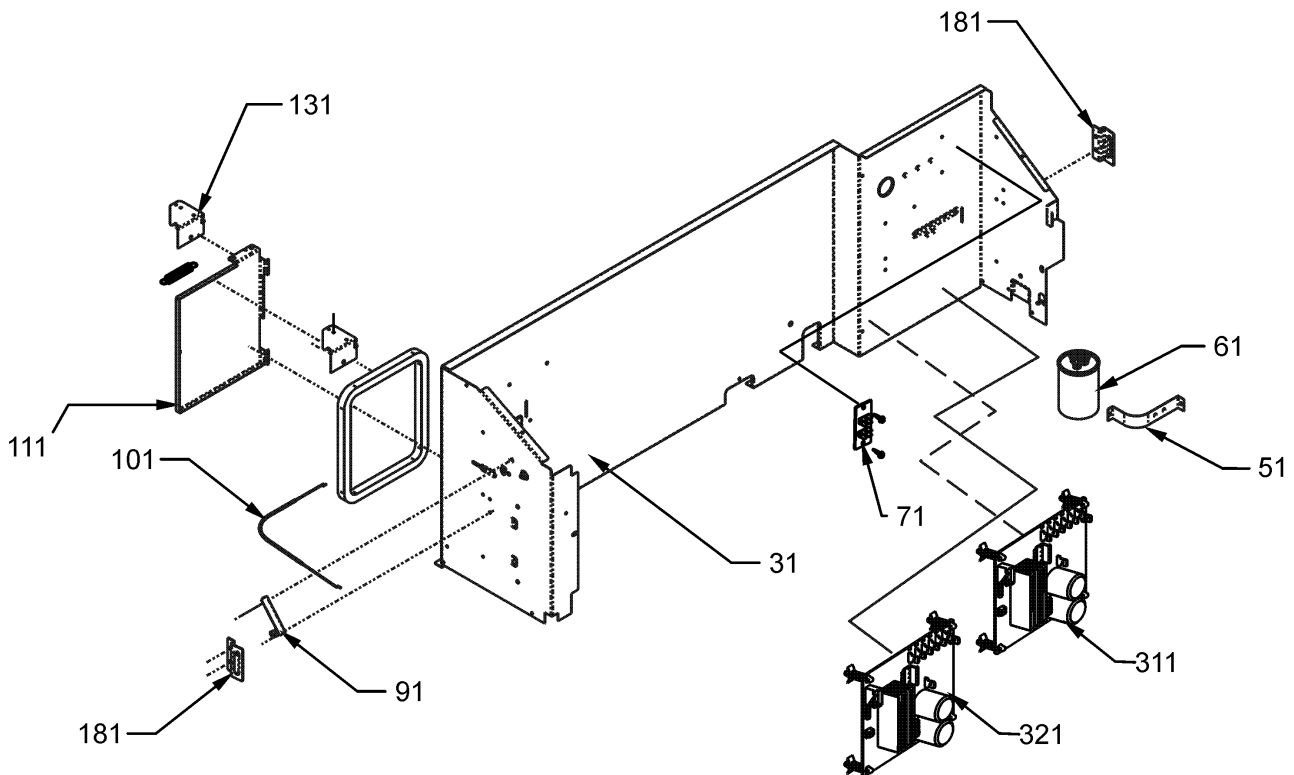
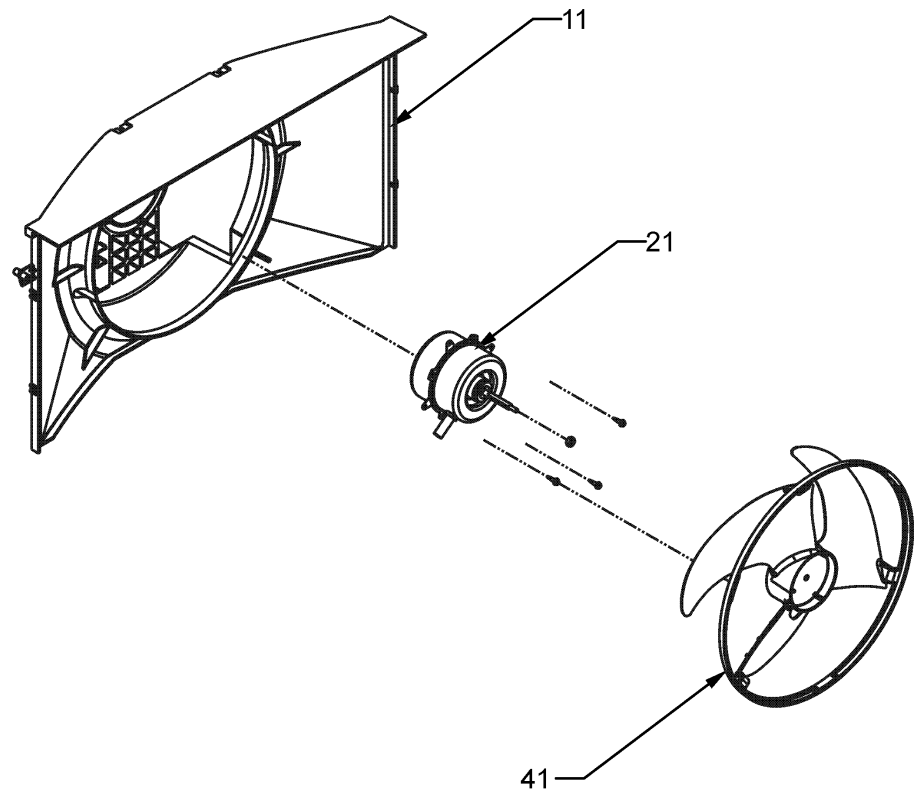
# Control Panel / Front Assembly

<b>Ref. Part No: No:</b>	<b>Description:</b>	<b>Ref. Part No: No:</b>	<b>Description:</b>
<i>Image 1:</i>			
11	0161P00048		FRONT, LOUVERS DISCHARGE
21	RSKP0012		CONTROL BOARD M70
31	0130M00152		TRANSFORMER
41	0163P00025		CLIP (QTY 2)
51	0121P00130		PANEL, CONTROL
61	0121P00073		SCREEN, DISCHARGE
71	0261P00003		DOOR ASSY -AMANA-
81	0261P00011		FRONT ASSY
91	C6476002		BAYONET FUSE HOLDER
101	0161P00035		FILTER, RACK (QTY 2)
NS	A3410403		FUSE 20A

## Expanded Model Nomenclature

M1 - HEH094H35AXXXCA

# Condenser Fan / Partition Assembly



# Condenser Fan / Partition Assembly

Ref. Part No: No:	Description:	Ref. Part No: No:	Description:
-------------------	--------------	-------------------	--------------

---

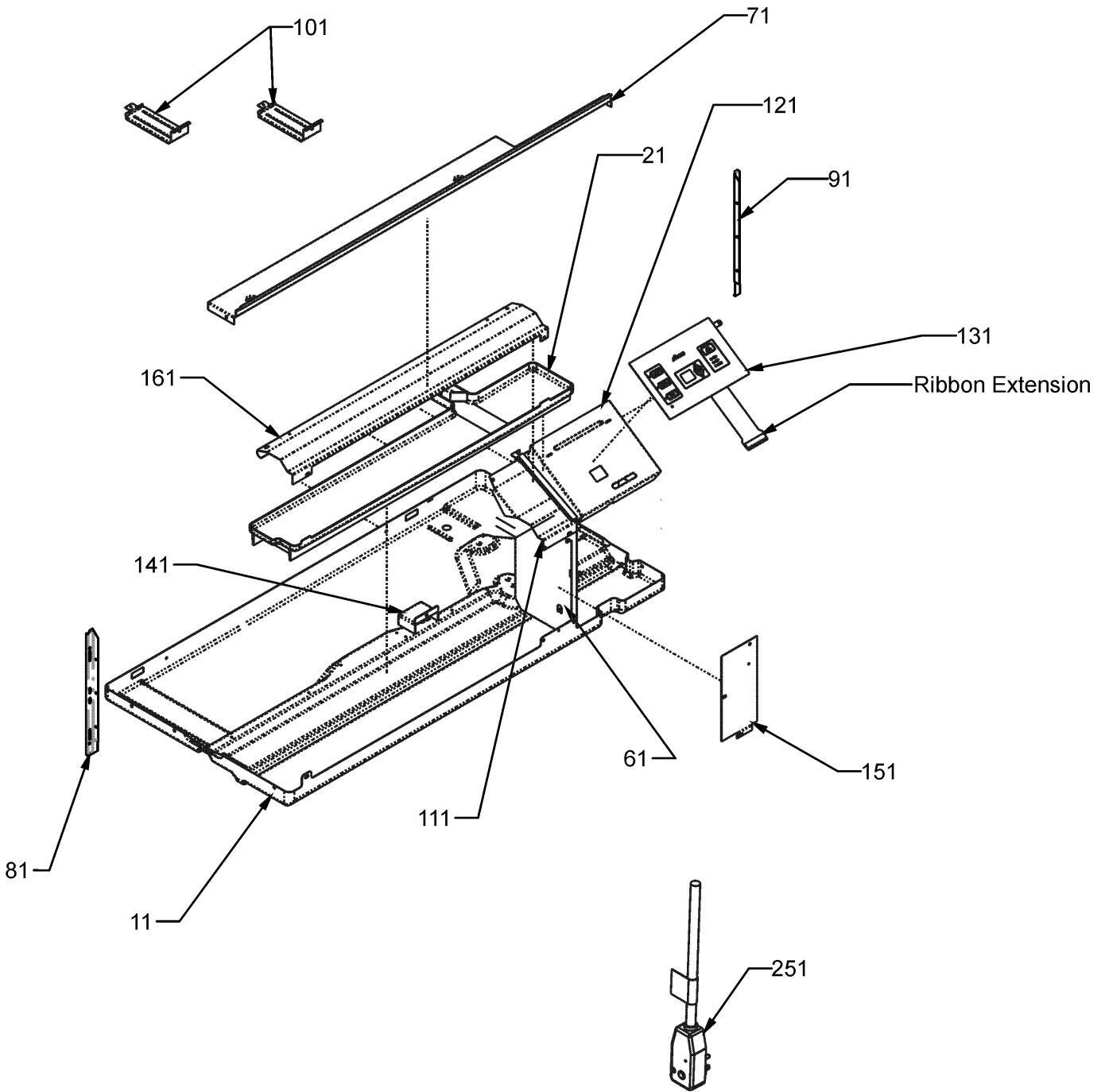
**Image 1:**

11	0161P00053	SHROUD, CONDENSER
21	0131P00030	FAN MOTOR, OUTDOOR DC
31	0121P00108	PANEL-PARTITION
41	0161P00030	FAN, CONDENSER
51	C6300502	CAPACITOR STRAP
61	CAP020250450CS	CAPACITOR 2/25/450V/DUAL RD
71	802007090	TERMINAL BOARD
91	11046302	LEVER ARM
101	0163P00019	CABLE
111	11046105	VENT DOOR
131	0121P00072	BRACKET, VENT DOOR-C
181	11191703	PARTITION PANEL BRACKET (QTY 2)
311	PCBEP105	OUTDOOR DC CONTROL MOTOR
321	PCBEP104	INDOOR DC CONTROL MOTOR

**Expanded Model Nomenclature**

M1 - HEH094H35AXXXCA

# Partition Assembly



# Partition Assembly

Ref. Part No:	No:	Description:	Ref. Part No:	No:	Description:
---------------	-----	--------------	---------------	-----	--------------

---

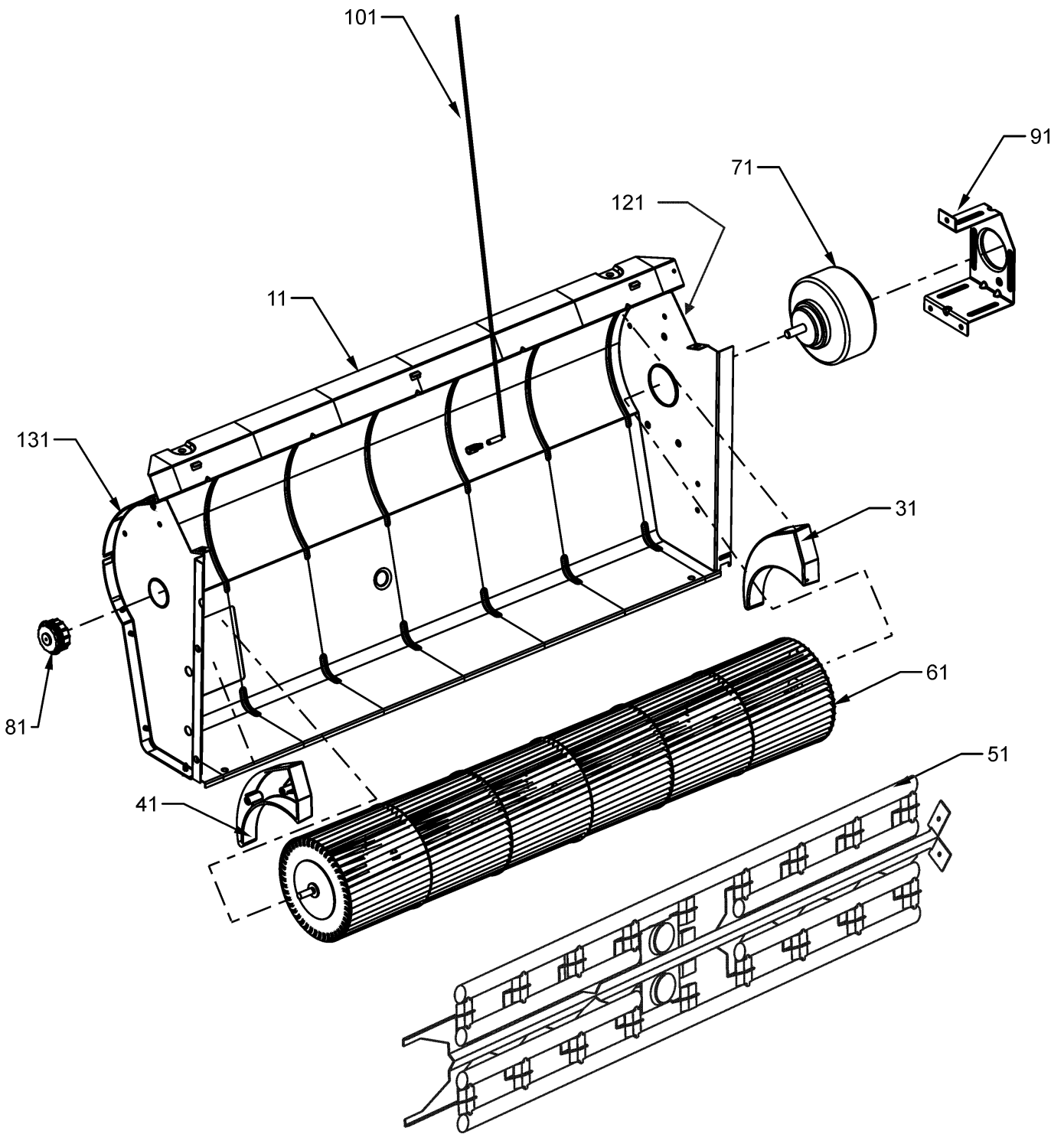
**Image 1:**

11	0121P00175DG	BASE PAN			
21	0161P00044	PLASTIC-DRAIN PAN			
61	20403301	MID PARTITION PANEL			
71	0121P00063	TOP, PARTITION PANEL			
81	20416201	SEAL-L SIDE PTC			
91	20416101	SEAL-R SIDE PTC			
101	0121P00071	BRACE, TIE (QTY 2)			
111	0121P00070DG	COVER, MOTOR			
121	0121P00129	COVER-CONTROL PANEL			
131	RSKP0015	CONTROL PANEL COVER AND MEMBRANE			
141	0161P00016	PLASTIC-HOOD			
151	20410801	ACCESS COVER			
161	0121P00061DG	CUTOFF-SCROLL DG			
251	0130P00128	CORD, 277V, 20A			
NS	0130P00109	MEMBRANE (CONTROL)			

**Expanded Model Nomenclature**

M1 - HEH094H35AXXCA

# Evaporator Blower / Heater Assembly



# Evaporator Blower / Heater Assembly

Ref. Part No: No:	Description:	Ref. Part No: No:	Description:
-------------------	--------------	-------------------	--------------

---

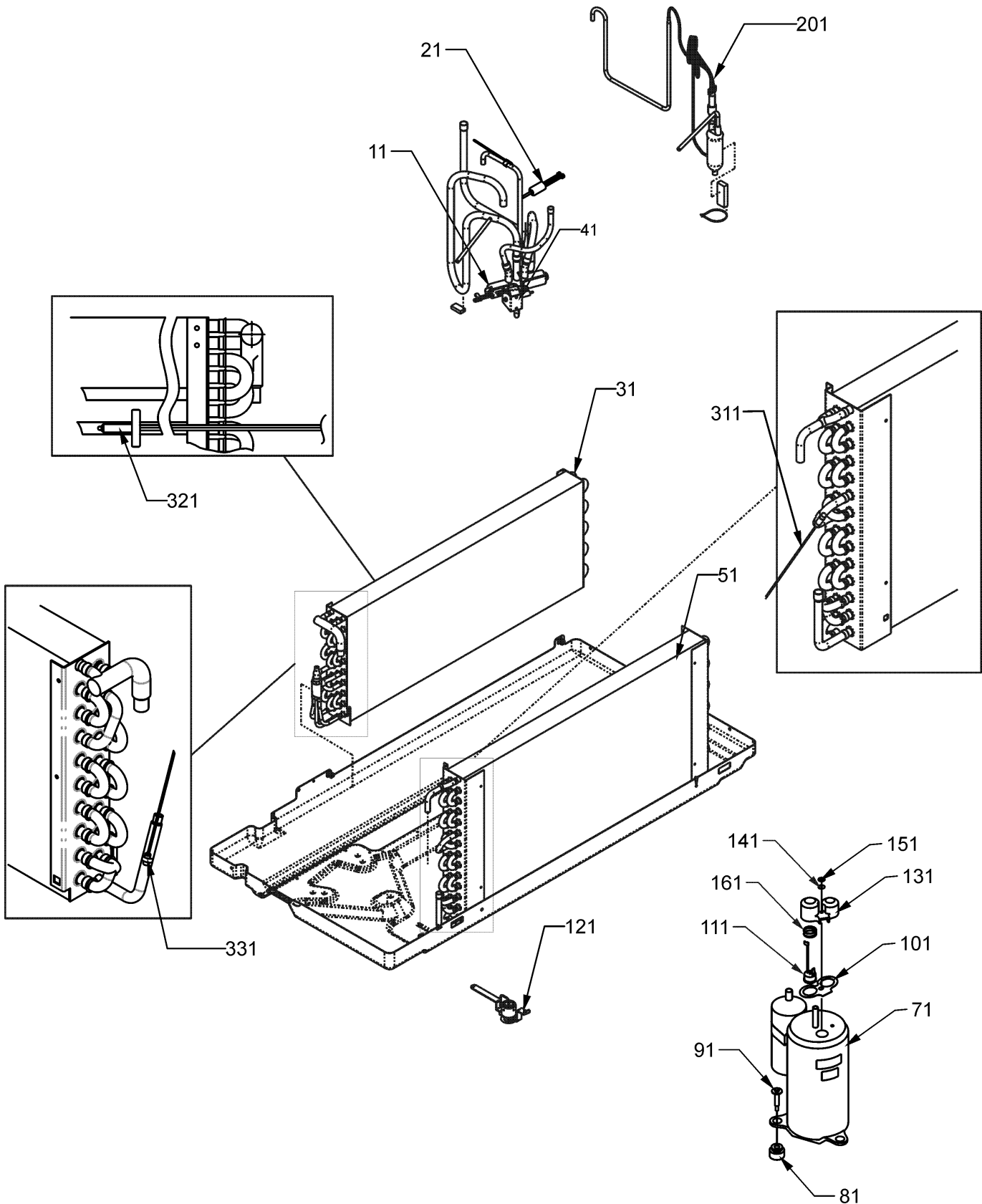
**Image 1:**

11	0121P00173DG	SCROLL
31	0161P00021	END CAP, RIGHT
41	0161P00022	END CAP, LEFT
51	0275P00040	HEATER ASSY
61	0150P00004	WHEEL, BLOWER
71	0131P00029	FAN MOTOR, INDOOR
81	0163P00027	BEARING
91	0121P00048	BRACKET-MOTOR MOUNT
101	0130P00134	THERMISTOR - DISCHARGE
121	0121P00059DG	ENDPLATE-RH SCROLL
131	0121P00088DG	ENDPLATE- LH SCROLL

**Expanded Model Nomenclature**

M1 - HEH094H35AXXXCA

# Coil / Compressor / Tubing Assembly



# Coil / Compressor / Tubing Assembly

Ref. Part No: No:	Description:	Ref. Part No: No:	Description:
-------------------	--------------	-------------------	--------------

**Image 1:**

11	0151P00001	REVERSING VALVE ASSY-265V
21	0130M00169	SWITCH, HIGH PRESS
31	0202P00065	EVAP ASSY, 5/16, 3 ROW
41	0130P00022	REVERSING VALVE COIL
51	0201P00115	7MM COND ASSY 3 ROW
71	44A207A	COMPRESSOR, RECHI
81	60130203	GROMMET - RECHI COMPRESSOR (QTY 3)
91	0163M00079	SHOULDER SCREW (QTY 3)
101	60100103	TERMINAL GASKET
111	60343516	OVERLOAD PROTECTOR
121	20406303	BASE PAN VALVE
131	60100314	TERMINAL COVER - RECHI COMP
141	60100201	WASHER - RECHI COMPRESSOR
151	60100401	TERMINAL NUT - RECHI COMP
161	60500101	OLP SPRING - RECHI COMPRESSOR
201	0210P00271	CAPILLARY TUBE WELD
311	0130P00130	THERMISTOR
321	0130P00074	THERMISTOR
331	0130P00086	THERMISTOR - INDOOR COIL

**Expanded Model Nomenclature**

M1 - HEH094H35AXXXCA