

HEH093 - 094K Package Terminal Heat Pump

HEH093K25AXXXAA
HEH093K35AXXXAA
HEH093K35CXXXAA
HEH094K35AXXXAA



Amana[®] is a registered trademark of Maytag Corporation or its related companies and is used under license. All rights reserved.

This manual is to be used by qualified technicians only.

© 2022 Goodman Company, L.P. ♦ 19001 Kermier Rd. ♦ Waller, TX 77484

Important Information

Index

Functional Parts List	3
Illustration and Parts	4 - 13

Views shown are for parts illustrations only, not servicing procedures.

Text Codes:

AR - As Required

NA - Not Available

NS - Not Shown

00000000 - See Note

QTY - Quantity Example (QTY 3) (If Quantity not shown, Quantity = 1)

M - Model Example (M1) (If M Code not shown, then part is used on all Models)

Expanded Model Nomenclature:

Example
M1 - Model#1
M2 - Model#2
M3 - Model#3

Goodman Company, L.P. is not responsible for personal injury or property damage resulting from improper service. Review all service information before beginning repairs.

Warranty service must be performed by an authorized technician, using authorized factory parts. If service is required after the warranty expires, Goodman Company, L.P. also recommends contacting an authorized technician and using authorized factory parts.

Goodman Company, L.P. reserves the right to discontinue, or change at any time, specifications or designs without notice or without incurring obligations.

For assistance within the U.S.A. contact:

Homeowner Support
Goodman Company, L.P.
19001 Kermier Road
Waller, Texas 77484
877-254-4729-Telephone
713-863-2382-Facsimile

For assistance outside the U.S.A. contact:

International Division
Goodman Company, L.P.
19001 Kermier Road
Waller, Texas 77484
713-861-2500-Telephone
713-863-2382-Facsimile

Functional Parts

Part

No: Description:

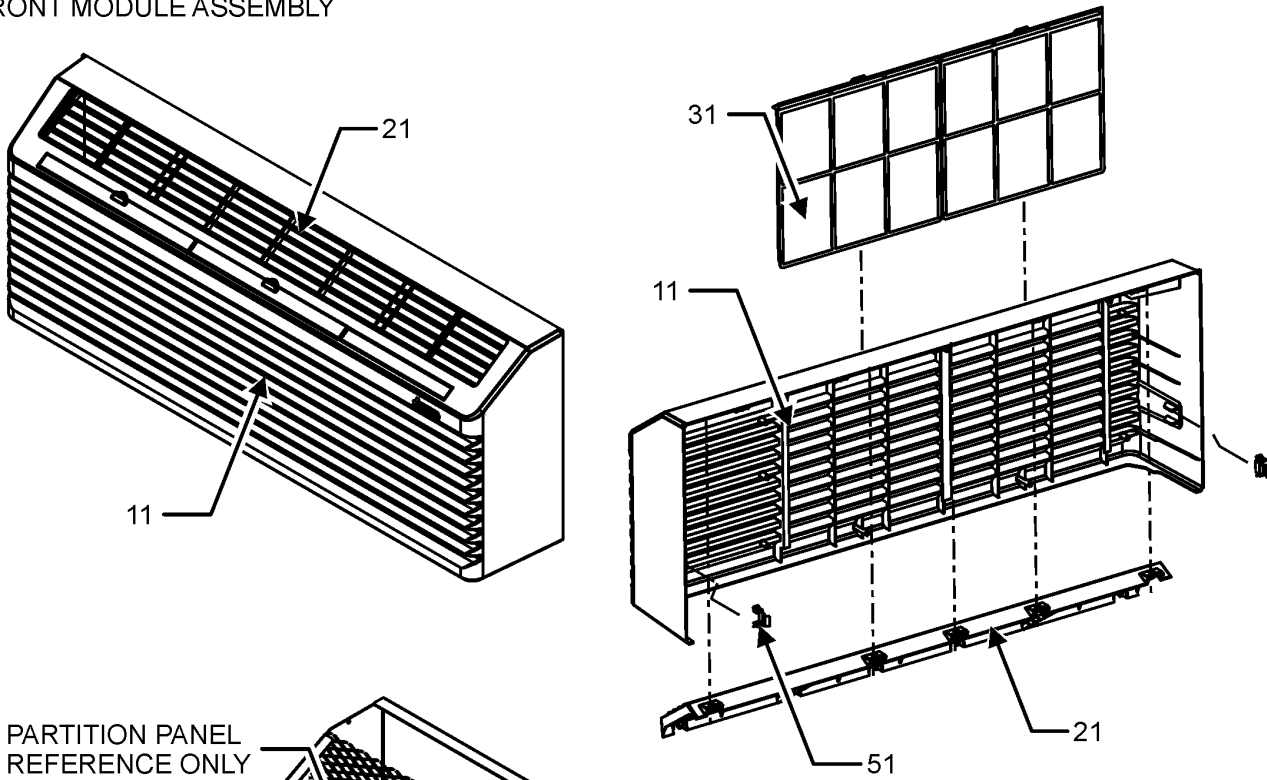
CAP020150450CS	CAP, 2/15 MFD/450V/DUAL RD (M4)
CAP020200450CS	CAP, 2/20 MFD/450V/DUAL RD (M1, M2, M3)
39B202AD&0JKZ	COMPRESSOR, RECHI
39B207GD&0JKB	Compressor-R410-A
0130P00177	CORD, 250 VAC, 20A (LCDI (M2, M3)
0130P00184	CORD, 250VAC, 15A, (LCDI (M1)
0130P00178	CORD, 277V, 20A (M4)
0161P00140	COVER WIRE
0161P00055	FAN CONDENSER
3P263839-1	FERRITE CORE
A3410403	FUSE 20A (M4)
0275P00087	Heater 230 v-3.5 KW (M2, M3)
0275P00088	Heater 265 v-3.5 KW (M4)
0275P00019	HEATER ASSY (M1)
0131P00062	INDOOR MOTOR DC
PCBCP170	M90 Board Tier 2
0131P00085	OUTDOOR MOTOR, DC
60345620A	OVERLOAD PROTECTOR-CLEAR PLUG
0151P00023	PTAC REVERSING VLV ASSY
0151P00024	PTAC REVERSING VLV ASSY
0130M00735	SWITCH HIGH PRESSURE
0130P00167	THERMISTOR INDOOR
0130P00167	THERMISTOR INDOOR
0130P00173	THERMISTOR OUTDOOR 7MM
0130M00726	Transformer 20VA 240/208V (M1, M2, M3)
0130M00728	TRANSFORMER 20VA 277V (M4)
0151M00026	VALVE, CHECK
20406303	VALVE-BASEPAN

Expanded Model Nomenclature

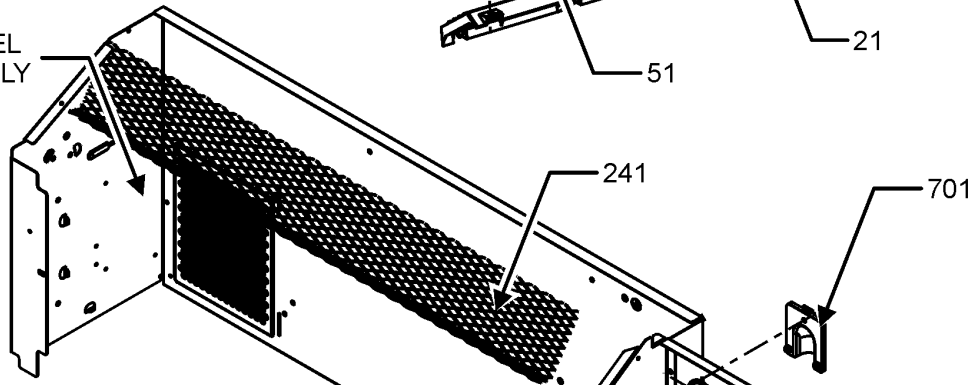
M1 - HEH093K25AXXXAA
M2 - HEH093K35AXXXAA
M3 - HEH093K35CXXXAA
M4 - HEH094K35AXXXAA

FRONT MODULE AND CONTROL PANEL ASSEMBLY

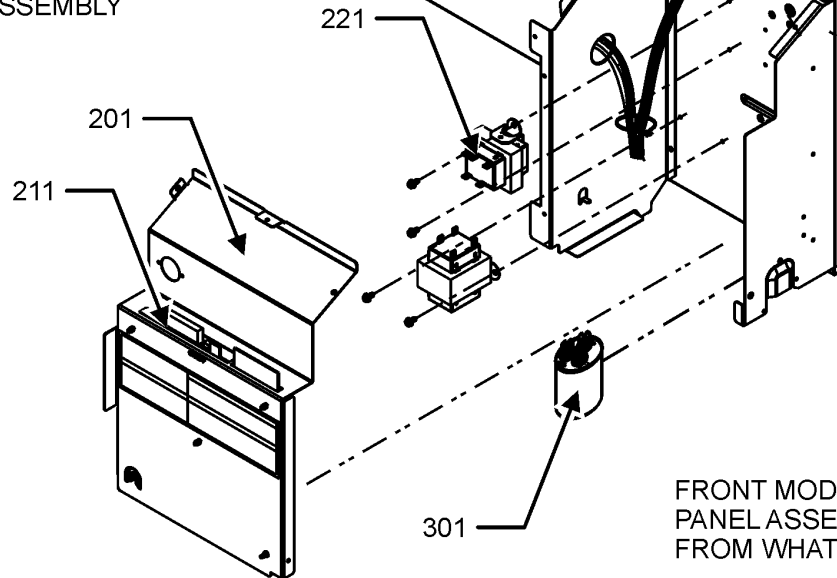
FRONT MODULE ASSEMBLY



PARTITION PANEL
REFERENCE ONLY



CONTROL PANEL ASSEMBLY



FRONT MODULE AND CONTROL
PANEL ASSEMBLY MAY DIFFER
FROM WHAT IS SHOWN

FRONT MODULE AND CONTROL PANEL ASSEMBLY

Ref. Part No: No:	Description:	Ref. Part No: No:	Description:
-------------------	--------------	-------------------	--------------

Image 1:

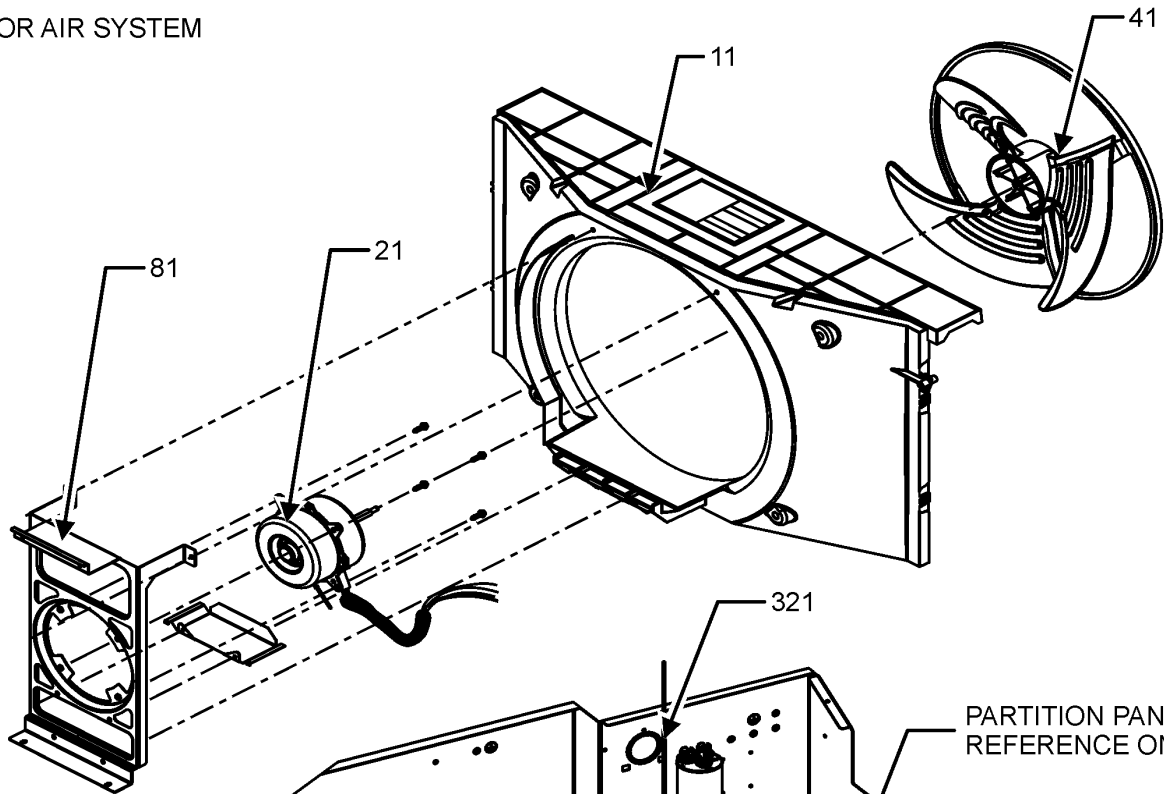
11	0261P00033	FRONT ASSY
21	0161P00132	LOUVERED FRONT DISCHARGE
31	0161P00148	FILTER RACK (QTY 2)
51	0163P00025	CLIP (QTY 2)
201	0121P00431	CONTROL BOX PANEL
211	PCBCP170	M90 Board Tier 2
221	0130M00726	Transformer 20VA 240/208V (M1, M2, M3)
221	0130M00728	TRANSFORMER 20VA 277V (M4)
241	0121P00194BL	SCREEN DISCHARGE PAINTED
301	CAP020150450CS	CAP, 2/15 MFD/450V/DUAL RD (M4)
301	CAP020200450CS	CAP, 2/20 MFD/450V/DUAL RD (M1, M2, M3)
701	0161P00140	COVER WIRE
721	3P263839-1	FERRITE CORE
NS	C6476002	BAYONET FUSE HOLDER (M4)
NS	A3410403	FUSE 20A (M4)
NS	0259P00043	WIRE HARNESS KIT

Expanded Model Nomenclature

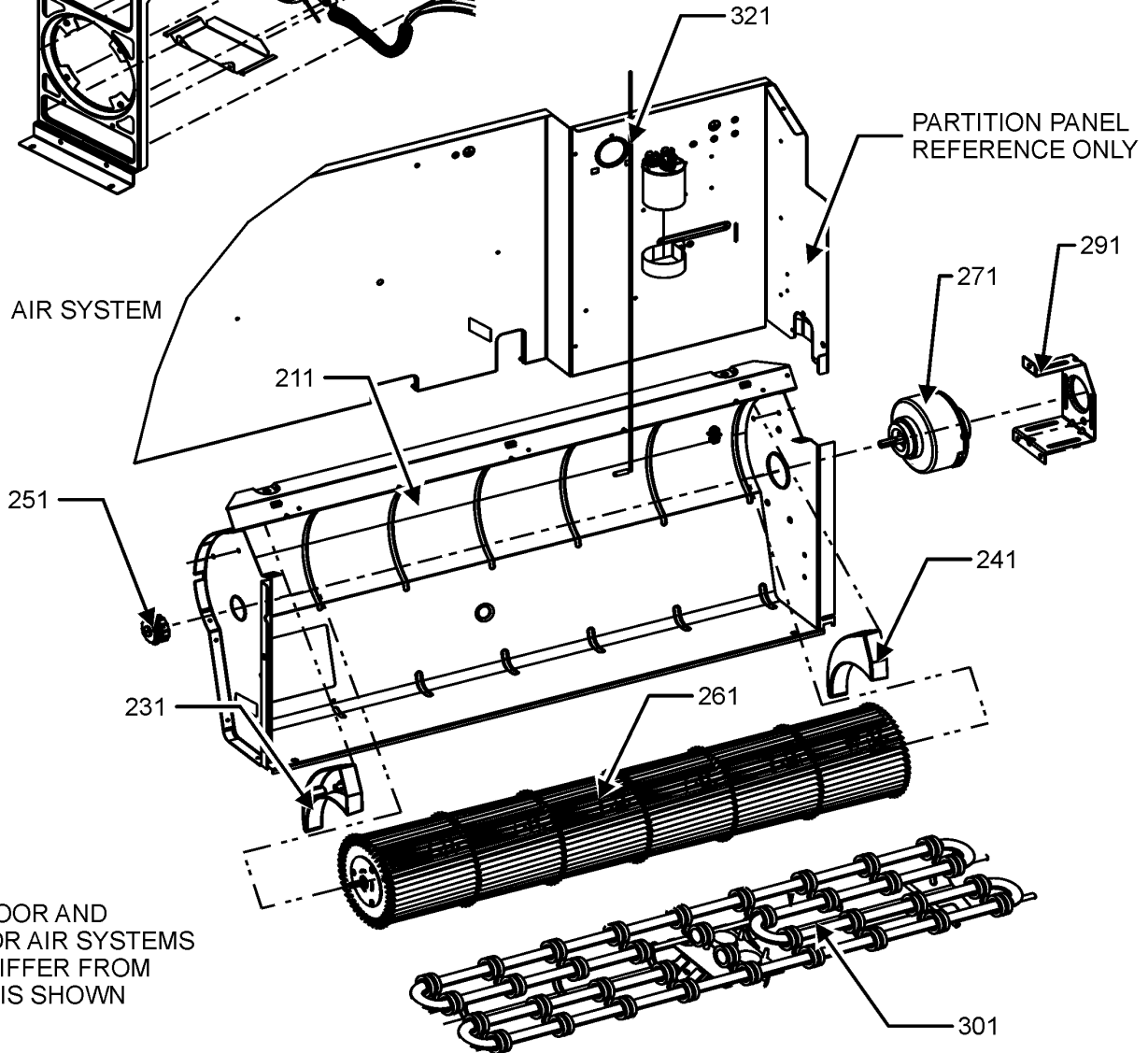
M1 - HEH093K25AXXXAA
M2 - HEH093K35AXXXAA
M3 - HEH093K35CXXXAA
M4 - HEH094K35AXXXAA

OUTDOOR AND INDOOR AIR SYSTEM

OUTDOOR AIR SYSTEM



INDOOR AIR SYSTEM



OUTDOOR AND
INDOOR AIR SYSTEMS
MAY DIFFER FROM
WHAT IS SHOWN

OUTDOOR AND INDOOR AIR SYSTEM

Ref. Part No:	No:	Description:	Ref. Part No:	No:	Description:
---------------	-----	--------------	---------------	-----	--------------

Image 1:

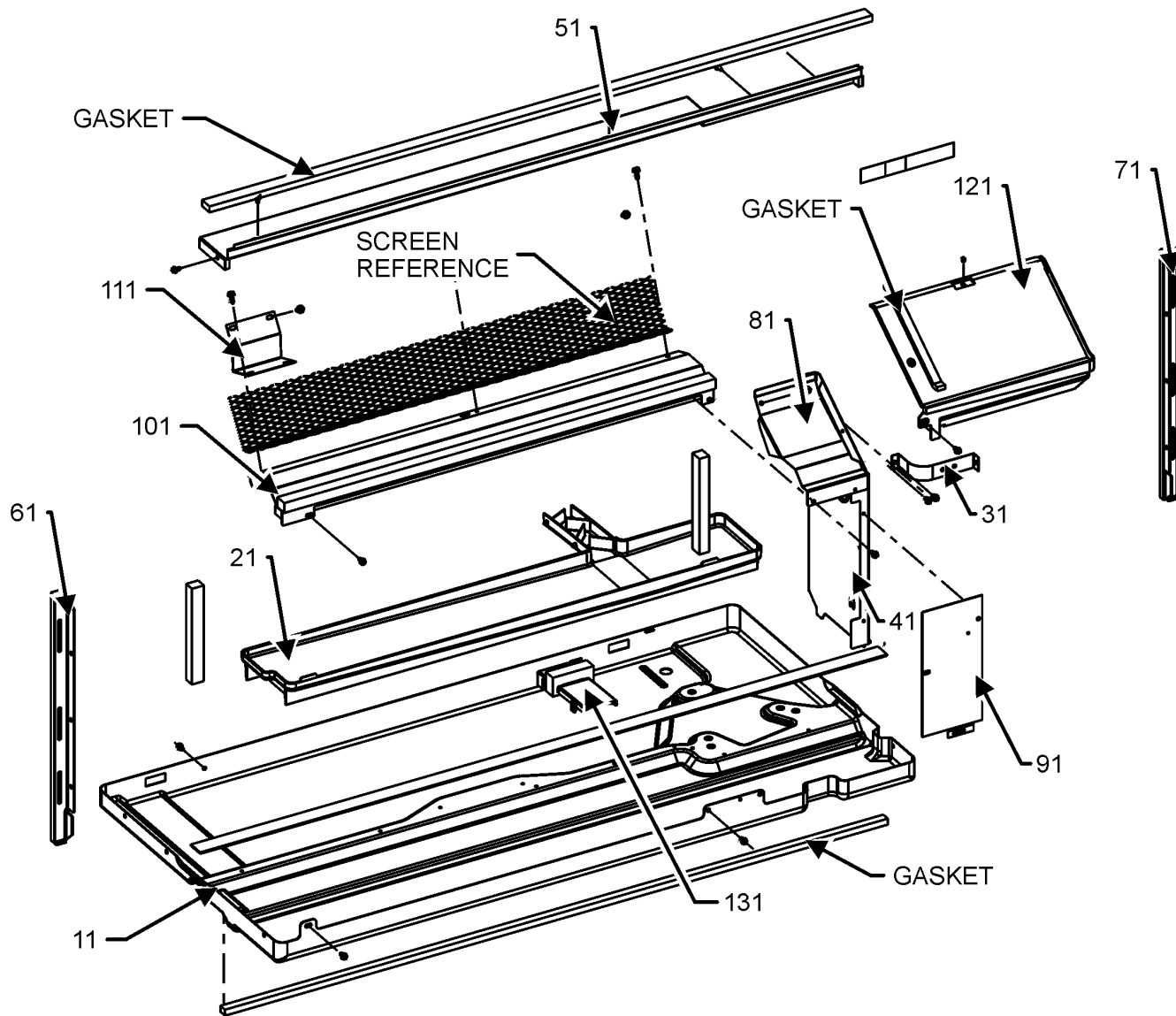
11	0261P00034	ASY CONDENSER SHROUD
21	0131P00085	OUTDOOR MOTOR, DC
41	0161P00055	FAN CONDENSER
81	0121P00350NG	MOTOR BRACKET, SHROUD
211	0270P01642	SCROLL ASSY
231	0161P00153	PTAC END CAP LEFT
241	0161P00152	END CAP RIGHT
251	0163P00027	BEARING
261	0150P00005	WHEEL BLOWER
271	0131P00062	INDOOR MOTOR DC
291	0121P00048	BRACKET MOTOR MOUNT
301	0275P00087	Heater 230 v -3.5 KW (M2, M3)
301	0275P00088	Heater 265 v -3.5 KW (M4)
301	0275P00019	HEATER ASSY (M1)
321	0130P00167	THERMISTOR INDOOR
NS	0130P00177	CORD, 250 VAC, 20A (LCDI (M2, M3)
NS	0130P00184	CORD, 250VAC, 15A, (LCDI (M1)
NS	0130P00178	CORD, 277V, 20A (M4)
NS	C6300502	STRAP-CAP CO PTC
NS	0163P00052	THERMISTOR CLAMP

Expanded Model Nomenclature

M1 - HEH093K25AXXXAA
M2 - HEH093K35AXXXAA
M3 - HEH093K35CXXXAA
M4 - HEH094K35AXXXAA

BASE PAN ASSEMBLY

BASE PAN ASSEMBLY



BASE PAN ASSEMBLY MAY DIFFER FROM WHAT IS SHOWN

BASE PAN ASSEMBLY

Ref. Part No:	No:	Description:	Ref. Part No:	No:	Description:
---------------	-----	--------------	---------------	-----	--------------

Image 1:

11	0121P00284DG	BASE PAN PAINTED (M1, M2, M4)
11	0121P00284NG	BASE PAN PAINTED (M3)
21	0161P00154	PLASTIC- DRAIN PAN
31	C6300502	STAP CAP CO PTC
41	0121P00432	PANEL MID PRT
51	0121P00376NG	PANEL, TOP PARTITION, PAINTED
61	0121P00379	SEAL L SIDE PTC
71	0121P00380	SEAL R SIDE PTC
81	0121P00371DG	PAINTED COVER MOTOR
91	0121P00374	COVER ACCESS
101	0121P00377DG	CUTOFF SCROLL DG
111	0121P00233	LEFT SIDE SCRILL BLOCKOFF
121	0161P00142	SPLASH GUARD
131	0161P00147	COVER DRAIN PAN

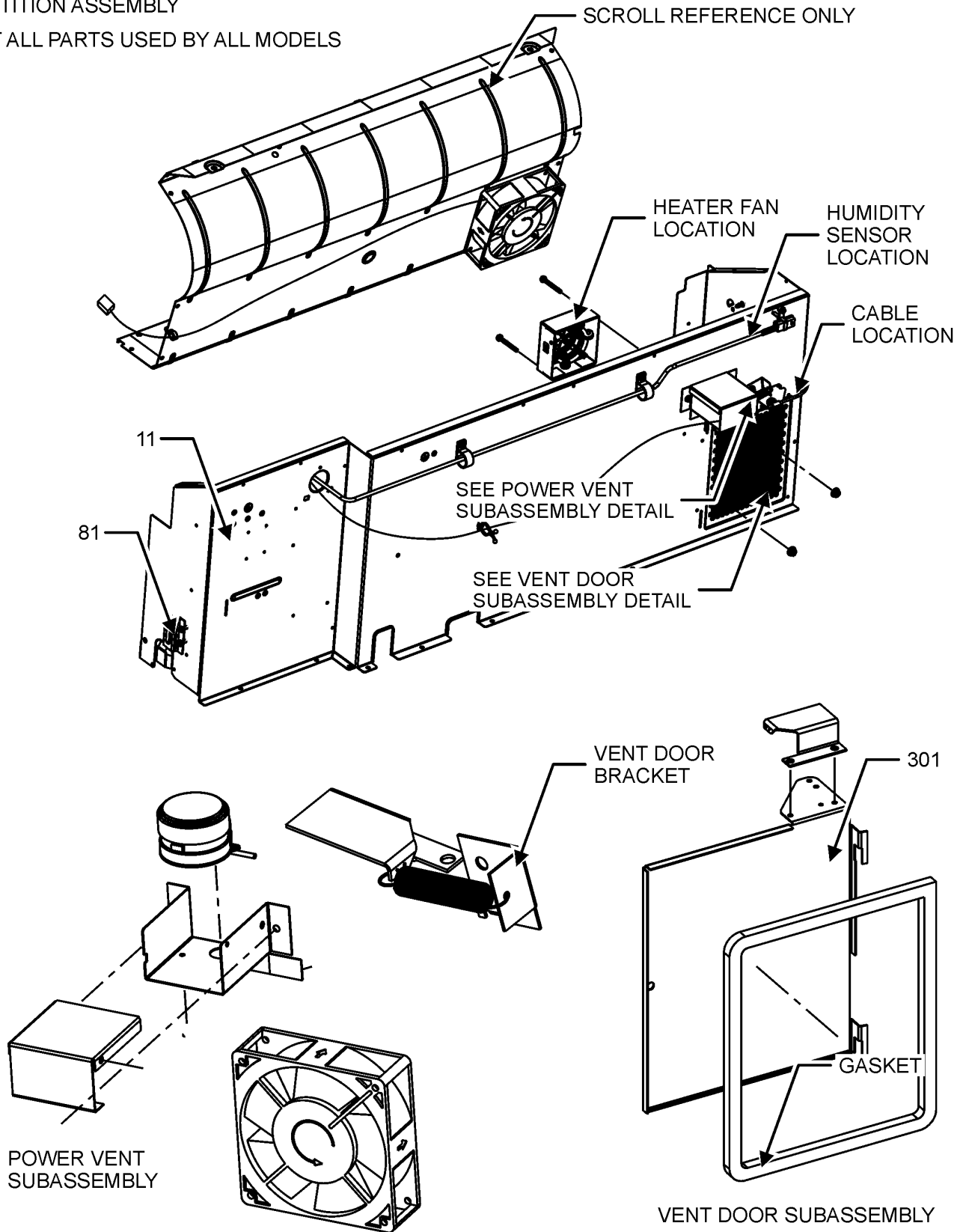
Expanded Model Nomenclature

M1 - HEH093K25AXXXAA
M2 - HEH093K35AXXXAA
M3 - HEH093K35CXXXAA
M4 - HEH094K35AXXXAA

PARTITION ASSEMBLY

PARTITION ASSEMBLY

NOT ALL PARTS USED BY ALL MODELS



PARTITION ASSEMBLY MAY DIFFER FROM WHAT IS SHOWN

PARTITION ASSEMBLY

Ref. Part No:	No:	Description:	Ref. Part No:	No:	Description:
---------------	-----	--------------	---------------	-----	--------------

Image 1:

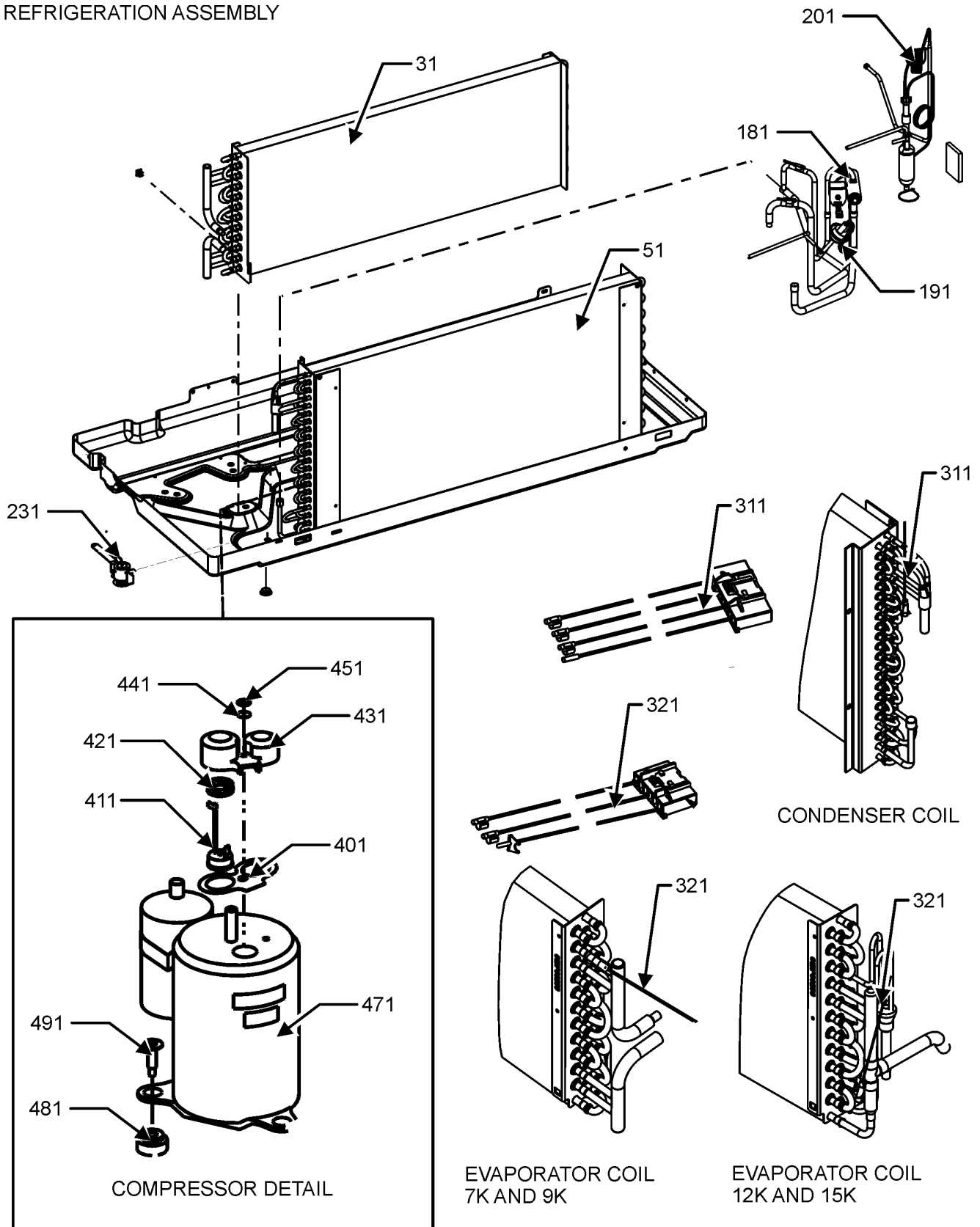
11	0121P00360NG	PANEL PARTITION
81	11191703	BRKT-PART PAN (QTY 2)
301	0121P00177NG	DOOR PNT VENT PTC
NS	0121P00072NG	BRACKET, VENT DOOR-C
NS	0163P00019	CABLE
NS	11046302	LEVER ARM PTC

Expanded Model Nomenclature

- | |
|----------------------|
| M1 - HEH093K25AXXXAA |
| M2 - HEH093K35AXXXAA |
| M3 - HEH093K35CXXAA |
| M4 - HEH094K35AXXXAA |

REFRIGERATION ASSEMBLY

REFRIGERATION ASSEMBLY



REFRIGERATION ASSEMBLY MAY DIFFER FROM WHAT IS SHOWN

REFRIGERATION ASSEMBLY

Ref. Part No:	Part No:	Description:	Ref. Part No:	Part No:	Description:
---------------	----------	--------------	---------------	----------	--------------

Image 1:

31	0202P00114	7MM EVAP ASSY 2 ROW (M1, M2, M3, M4)
51	0201P00171MB	7mm CONDENSOR COIL ASSY
51	0201P00156	ASSY., 7MM CONDENSER COIL
181	0151P00023	PTAC REVERSING VLV ASSY
181	0151P00024	PTAC REVERSING VLV ASSY
191	0130M00735	SWITCH HIGH PRESSURE
201	0210P00717	ASSY., CAPILLARY WELDMENT
201	0210P00720	ASSY., CAPILLARY WELDMENT
231	20406303	VALVE-BASEPAN
311	0130P00173	THERMISTOR OUTDOOR 7MM
321	0130P00167	THERMISTOR INDOOR
401	60100107	TERMINAL COVER GASKET
411	60345620A	OVERLOAD PROTECTOR-CLEAR PLUG
421	60500101	OLP SPRING - RECHI COMPRESSOR
431	60100317	TERMINAL COVER
431	60100314	TERMINAL COVER - RECHI COMP
441	60100201	WASHER - RECHI COMPRESSOR
451	60100401	TERMINAL NUT - RECHI COMP
471	39B202AD&0JKZ	COMPRESSOR, RECHI
471	39B207GD&0JKB	Compressor-R410-A
481	60130203	GROMMET - RECHI COMPRESSOR
491	0163M00079	SCREW SHOULDER
NS	0130P00022	REVERSING VALVE COIL
NS	0151M00026	VALVE, CHECK
NS	0259P00036	WIRE HARNESS

Expanded Model Nomenclature

M1 - HEH093K25A XXXAA
M2 - HEH093K35A XXXAA
M3 - HEH093K35C XXXAA
M4 - HEH094K35A XXXAA