

HEH073H Package Terminal Heat Pump

HEH073H15AXXXEA
HEH073H25AXXXEA
HEH073H25DXXXEA
HEH073H25RXXXEA
HEH073H35AXXXEA
HEH073H35CPXXEA
HEH073H35DXXXEA
HEH073H35PXXXEA



Amana® is a registered trademark of Maytag Corporation or its related companies and is used under license. All rights reserved.

This manual is to be used by qualified technicians only.

This manual replaces RP-A5076A.

© 2018 -2019 Goodman Company, L.P. ♦ 5151 San Felipe St, Suite 500 ♦ Houston, TX 77056

Important Information

Index

Functional Parts List	3
Illustration and Parts	4 - 13

Views shown are for parts illustrations only, not servicing procedures

Text Codes:

AR - As Required

NA - Not Available

NS - Not Shown

00000000 - See Note

QTY - Quantity Example (QTY 3) (If Quantity not shown, Quantity = 1)

M - Model Example (M1) (If M Code not shown, then part is used on all Models)

Expanded Model Nomenclature:

Example M1 - Model#1 M2 - Model#2 M3 - Model#3

Goodman Company, L.P. is not responsible for personal injury or property damage resulting from improper service. Review all service information before beginning repairs.

Warranty service must be performed by an authorized technician, using authorized factory parts. If service is required after the warranty expires, Goodman Company, L.P. also recommends contacting an authorized technician and using authorized factory parts.

Goodman Company, L.P. reserves the right to discontinue, or change at any time, specifications or designs without notice or without incurring obligations.

For assistance within the U.S.A. contact:

Homeowner Support
Goodman Company, L.P.
19001 Kermier Road
Waller, Texas 77484
877-254-4729-Telephone
713-863-2382-Facsimile

For assistance outside the U.S.A. contact:

International Division
Goodman Company, L.P.
19001 Kermier Road
Waller, Texas 77484
713-861-2500-Telephone
713-863-2382-Facsimile

Functional Parts

Part

No: Description:

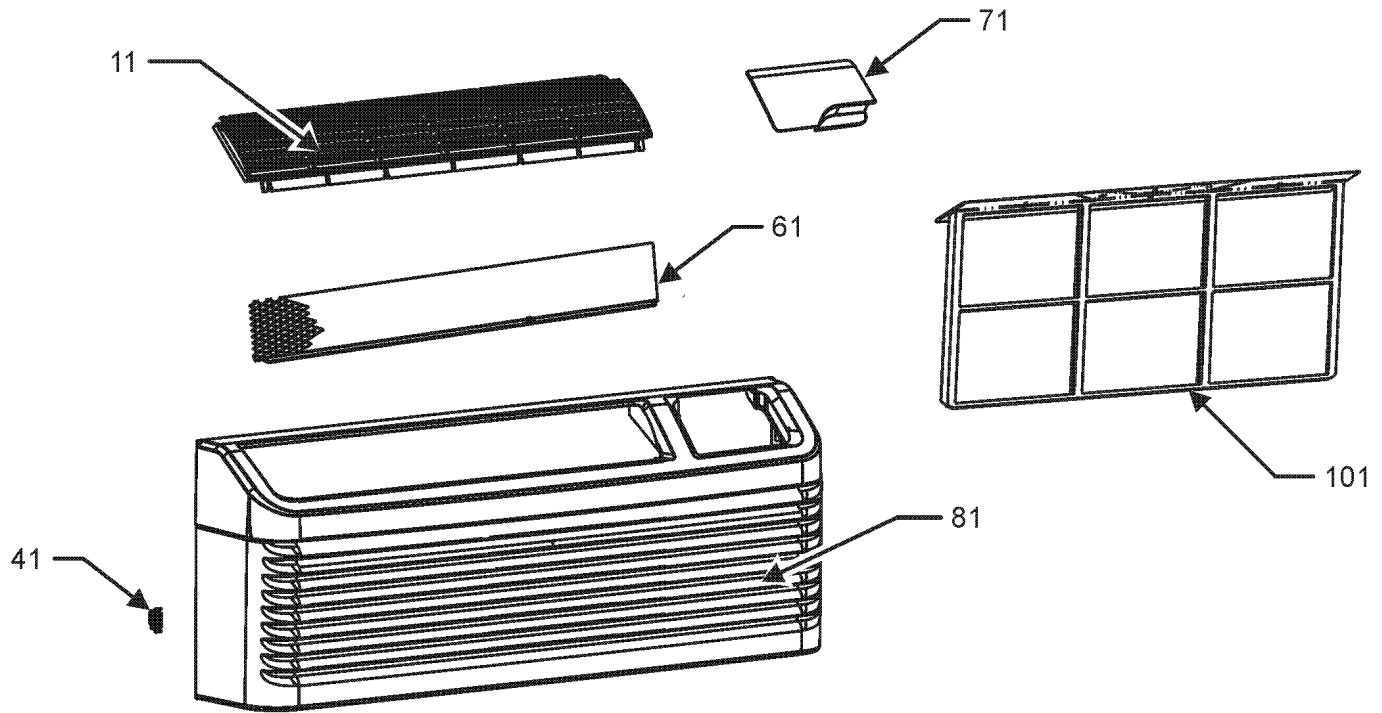
20406303	BASE PAN VALVE (M1, M2, M3, M4, M5, M7)
CAP020150450CS	CAP, 2/15 MFD/450V/DUAL RD
39B152AD&9DKZ	COMPRESSOR, RECHI
0163P00023	CONDENSATE PUMP (M6, M8)
0121P00077	CONDENSATE PUMP BRACKET (M6, M8)
RSKP0012	CONTROL BOARD M70
RSKP0015	CONTROL PANEL COVER AND MEMBRANE
0130P00112	CORD, 250VAC, 15A (LCD) (M1, M2, M3, M4)
0130P00115	CORD, 250VAC, 20A (LCD) (M5, M6, M7, M8)
0131P00029	FAN MOTOR, INDOOR
0131P00030	FAN MOTOR, OUTDOOR DC
0161P00055	FAN, CONDENSER
0275P00038	HEATER ASSY (M5, M6, M7, M8)
0275P00019	HEATER ASSY (M2, M3, M4)
0130P00133	HUMIDITY SENSOR (M3, M7)
PCBEP104	INDOOR DC CONTROL MOTOR
0130P00137	MOTOR (M3, M7)
PCBEP105	OUTDOOR DC CONTROL MOTOR
PCBCP147	PCB, CONTROL, D70 (M3, M7)
60343542	PROTECTOR, OVERLOAD, RECHI
0151P00009	PTAC REVERSING VALVE ASSY
0130P00022	REVERSING VALVE COIL
0130M00169	SWITCH, HIGH PRESS
802007090	TERMINAL BOARD
0130P00130	THERMISTOR
0130P00141	THERMISTOR
0130P00134	THERMISTOR - DISCHARGE
0130P00084	THERMISTOR - INDOOR COIL
0130P00098	THERMISTOR - OUTDOOR AMBIENT (M3, M4, M6, M7, M8)
0130M00341	TRANSFORMER 20VA 230V (M1, M2, M3, M4, M5, M7)
0150P00005	WHEEL, BLOWER

Expanded Model Nomenclature

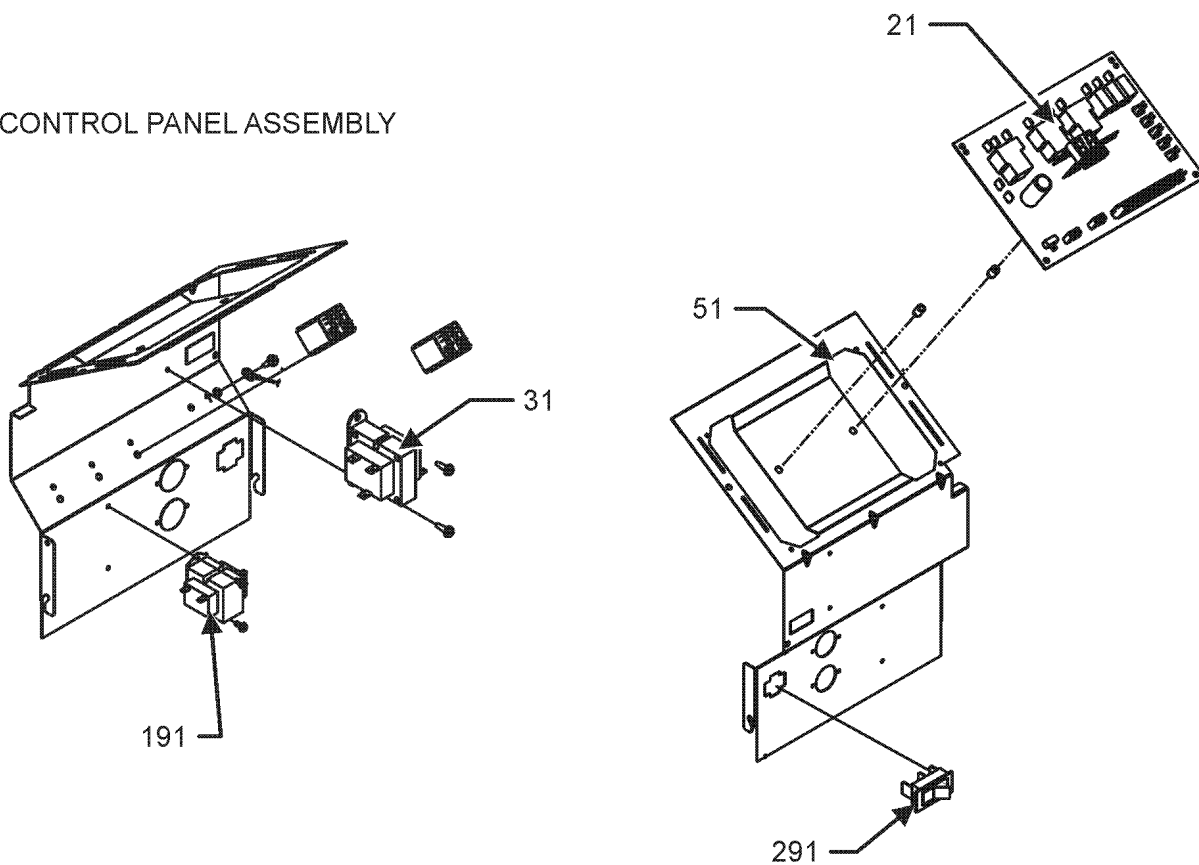
M1 - HEH073H15AXXXEA
M2 - HEH073H25AXXXEA
M3 - HEH073H25DXXEA
M4 - HEH073H25RXXEA
M5 - HEH073H35AXXXEA
M6 - HEH073H35CPXXEA
M7 - HEH073H35DXXEA
M8 - HEH073H35PXXEA

Front Panel and Control Panel Assembly

FRONT PANEL ASSEMBLY



CONTROL PANEL ASSEMBLY



Front Panel and Control Panel Assembly

Ref. Part No:	No:	Description:	Ref. Part No:	No:	Description:
---------------	-----	--------------	---------------	-----	--------------

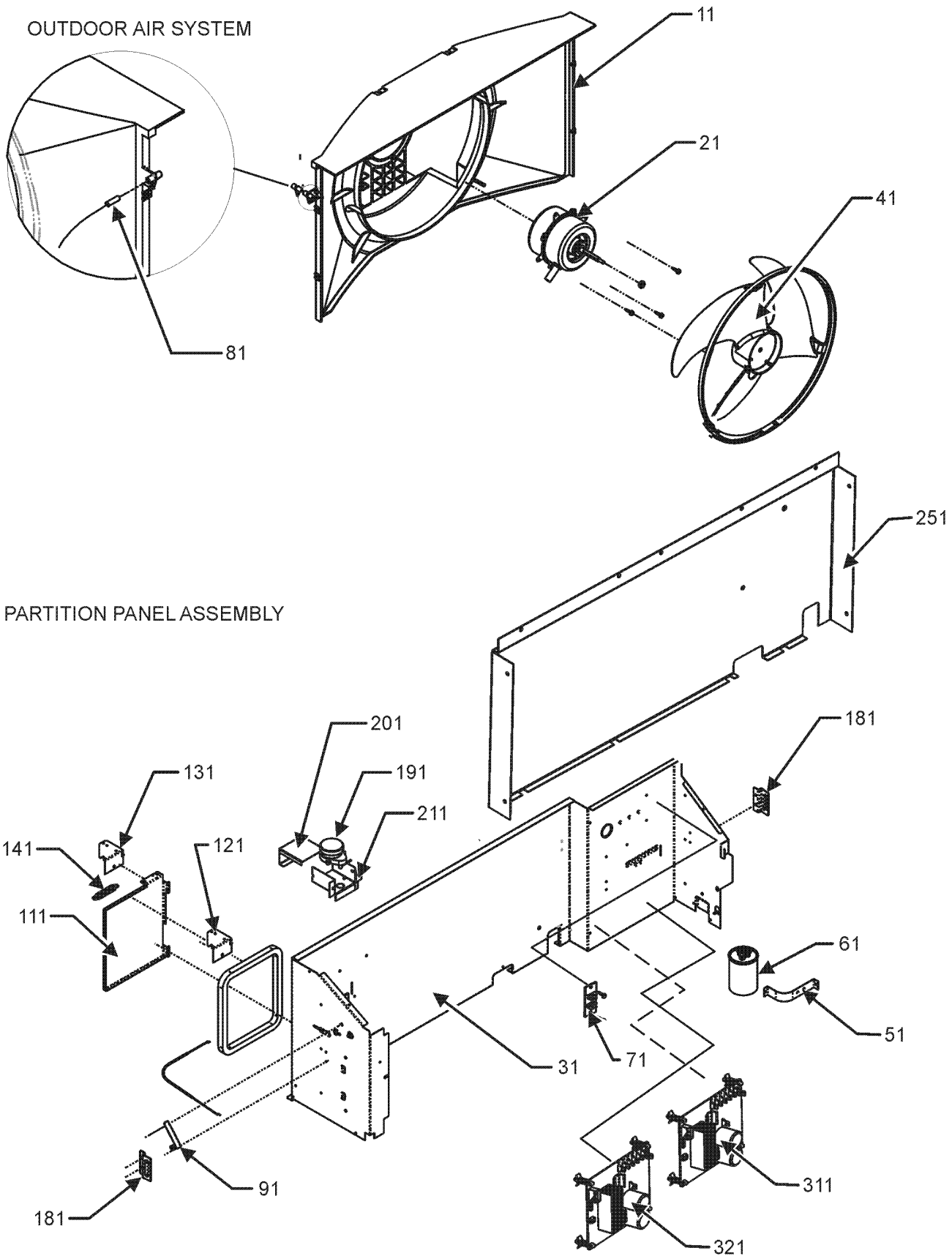
Image 1:

11	0161P00048	FRONT, LOUVERS DISCHARGE
21	RSKP0012	CONTROL BOARD M70
31	0130M00600	TRANS, 40VA, 240V/208V TO 120V (M6, M8)
31	0130M00341	TRANSFORMER 20VA 230V (M1, M2, M3, M4, M5, M7)
41	0163P00025	CLIP (QTY 2)
51	0121P00130	PANEL, CONTROL
61	0121P00194BL	SCREEN, DISCHARGE, PAINTED
71	0261P00003	DOOR ASSY -AMANA-
81	0261P00011	FRONT ASSY
101	0161P00035	FILTER, RACK (QTY 2)
191	0130M00599	TRANS, 40VA, 240V/208V TO 24V (M3, M6, M7, M8)
291	B1337701	PADDLE SWITCH (M3, M7)
NS	0130P00104	ANTENNA (M4)
NS	PCBCP147	PCB, CONTROL, D70 (M3, M7)

Expanded Model Nomenclature

M1 - HEH073H15A XXXEA
M2 - HEH073H25A XXXEA
M3 - HEH073H25D XXXEA
M4 - HEH073H25R XXXEA
M5 - HEH073H35A XXXEA
M6 - HEH073H35CP XXXEA
M7 - HEH073H35D XXXEA
M8 - HEH073H35P XXXEA

Outdoor Air System and Partition Panel



Outdoor Air System and Partition Panel

Ref. Part No:	Part No:	Description:	Ref. Part No:	Part No:	Description:
---------------	----------	--------------	---------------	----------	--------------

Image 1:

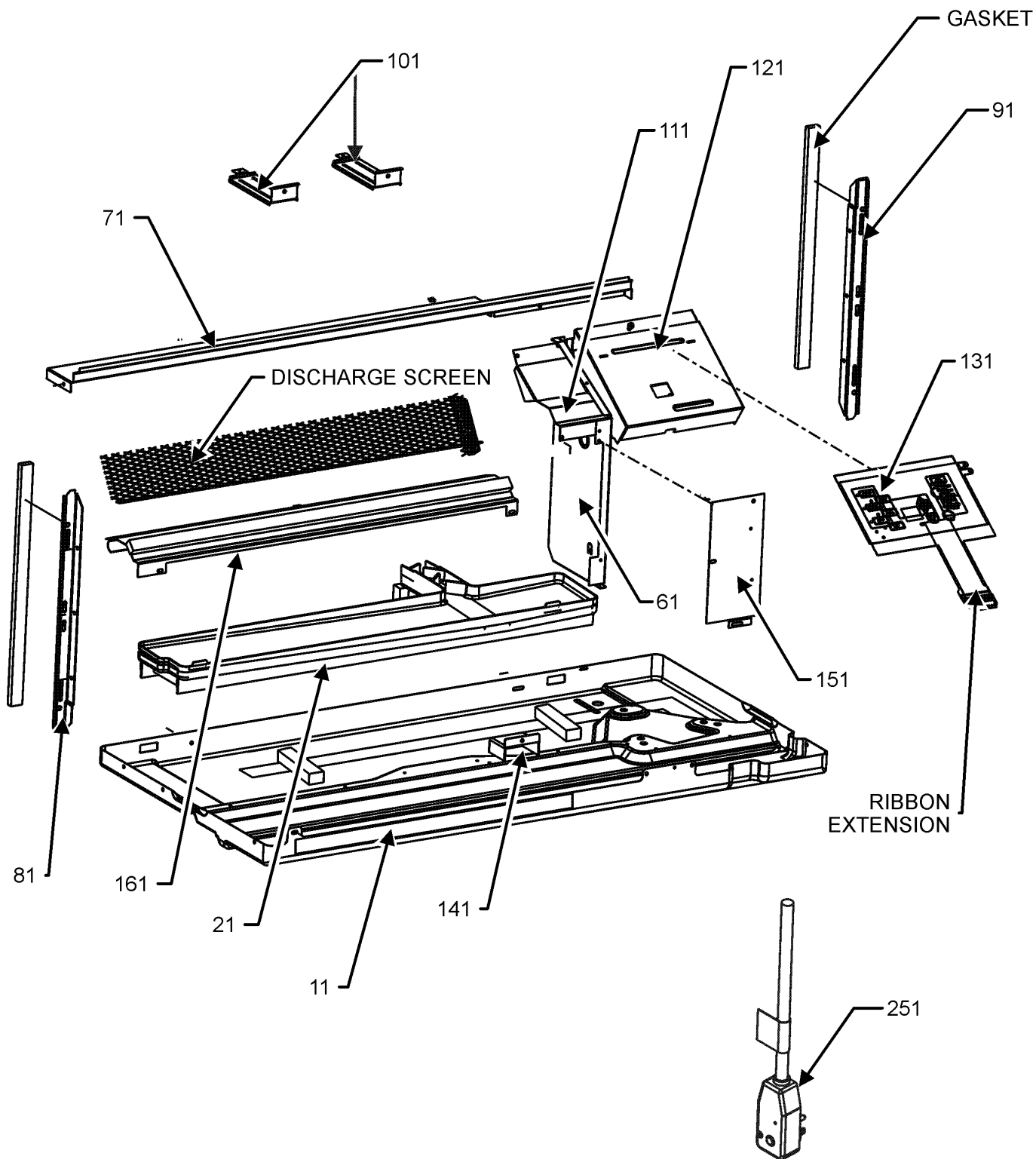
11	0161P00053	SHROUD, CONDENSER			
21	0131P00030	FAN MOTOR, OUTDOOR DC			
31	0121P00108	PANEL-PARTITION (M1, M2, M3, M4, M5, M7, M8)			
41	0161P00055	FAN, CONDENSER			
51	C6300502	CAPACITOR STRAP			
61	CAP020150450CS	CAP, 2/15 MFD/450V/DUAL RD			
71	802007090	TERMINAL BOARD			
81	0130P00098	THERMISTOR - OUTDOOR AMBIENT (M3, M4, M6, M7, M8)			
91	11046302	LEVER ARM (M1, M2, M4, M5, M6, M8)			
111	0121P00177	DOOR-VENT PTC (M6)			
121	0121P00079	BRACKET, VENT DOOR (M3, M7)			
131	0121P00072NG	BRACKET, VENT DOOR-C (M1, M2, M4, M5, M6, M8)			
141	11166401	EXTENSION SPRING (M3, M7)			
181	11191703	PARTITION PANEL BRACKET (QTY 2)			
191	0130P00137	MOTOR (M3, M7)			
201	11166201	POWER VENT COVER BRACKET (M3, M7)			
211	11166101	POWER VENT MOTOR BRACKET (M3, M7)			
251	0121P00160	PANEL-PARTITION (M6)			
311	PCBEP105	OUTDOOR DC CONTROL MOTOR			
321	PCBEP104	INDOOR DC CONTROL MOTOR			
NS	0163P00023	CONDENSATE PUMP (M6, M8)			
NS	0121P00077	CONDENSATE PUMP BRACKET (M6, M8)			
NS	0130P00133	HUMIDITY SENSOR (M3, M7)			

Expanded Model Nomenclature

M1 - HEH073H15A XXXEA
M2 - HEH073H25A XXXEA
M3 - HEH073H25D XXXEA
M4 - HEH073H25R XXXEA
M5 - HEH073H35A XXXEA
M6 - HEH073H35CP XXXEA
M7 - HEH073H35D XXXEA
M8 - HEH073H35P XXXEA

Base Pan Assembly

BASE PAN ASSEMBLY



Base Pan Assembly

Ref. Part No:	No:	Description:	Ref. Part No:	No:	Description:
---------------	-----	--------------	---------------	-----	--------------

Image 1:

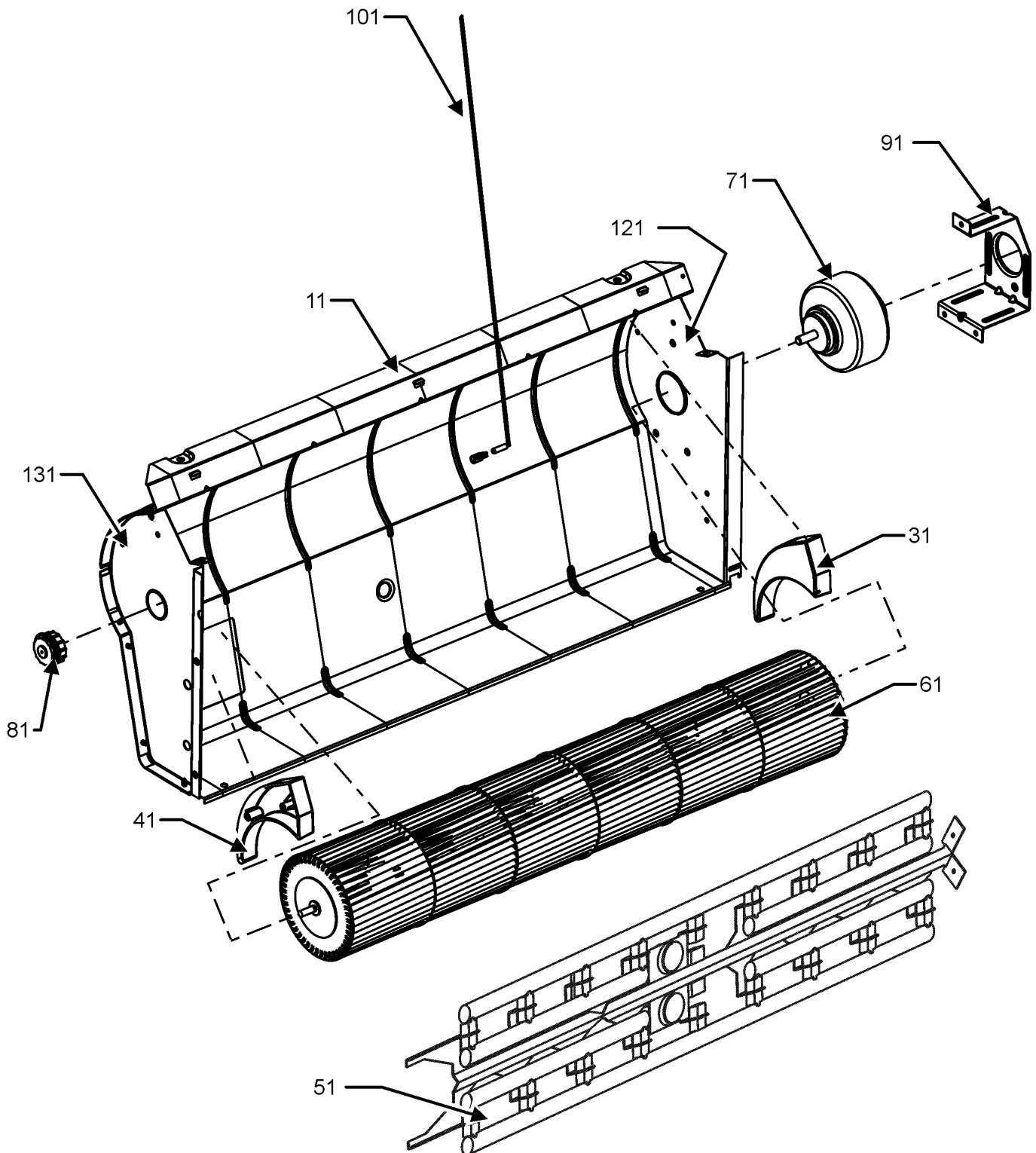
11	0121P00175DG	BASE PAN (M1, M2, M3, M4, M5, M7, M8)
11	0121P00175NG	BASE PAN (M6)
21	0161P00044	PLASTIC-DRAIN PAN
61	20403301	MID PARTITION PANEL
71	0121P00063NG	TOP, PARTITION PANEL
81	0121P00197	SEAL-L SIDE PTC
91	0121P00198	SEAL-R SIDE PTC
101	0121P00071NG	BRACE, TIE PNT (QTY 2)
111	0121P00070DG	COVER, MOTOR
121	0121P00129	COVER-CONTROL PANEL
131	RSKP0015	CONTROL PANEL COVER AND MEMBRANE
141	0161P00016	PLASTIC-HOOD
151	20410801	ACCESS COVER
161	0121P00061DG	CUTOFF-SCROLL DG
251	0130P00112	CORD,250VAC, 15A (LCD) (M1, M2, M3, M4)
251	0130P00115	CORD,250VAC, 20A (LCD) (M5, M6, M7, M8)
NS	0130P00109	MEMBRANE (CONTROL)

Expanded Model Nomenclature

M1 - HEH073H15A XXXEA
M2 - HEH073H25A XXXEA
M3 - HEH073H25D XXXEA
M4 - HEH073H25R XXXEA
M5 - HEH073H35A XXXEA
M6 - HEH073H35CP XXXEA
M7 - HEH073H35D XXXEA
M8 - HEH073H35P XXXEA

Indoor Blower Assembly

INDOOR BLOWER ASSEMBLY



Indoor Blower Assembly

Ref. Part No:	No:	Description:	Ref. Part No:	No:	Description:
---------------	-----	--------------	---------------	-----	--------------

Image 1:

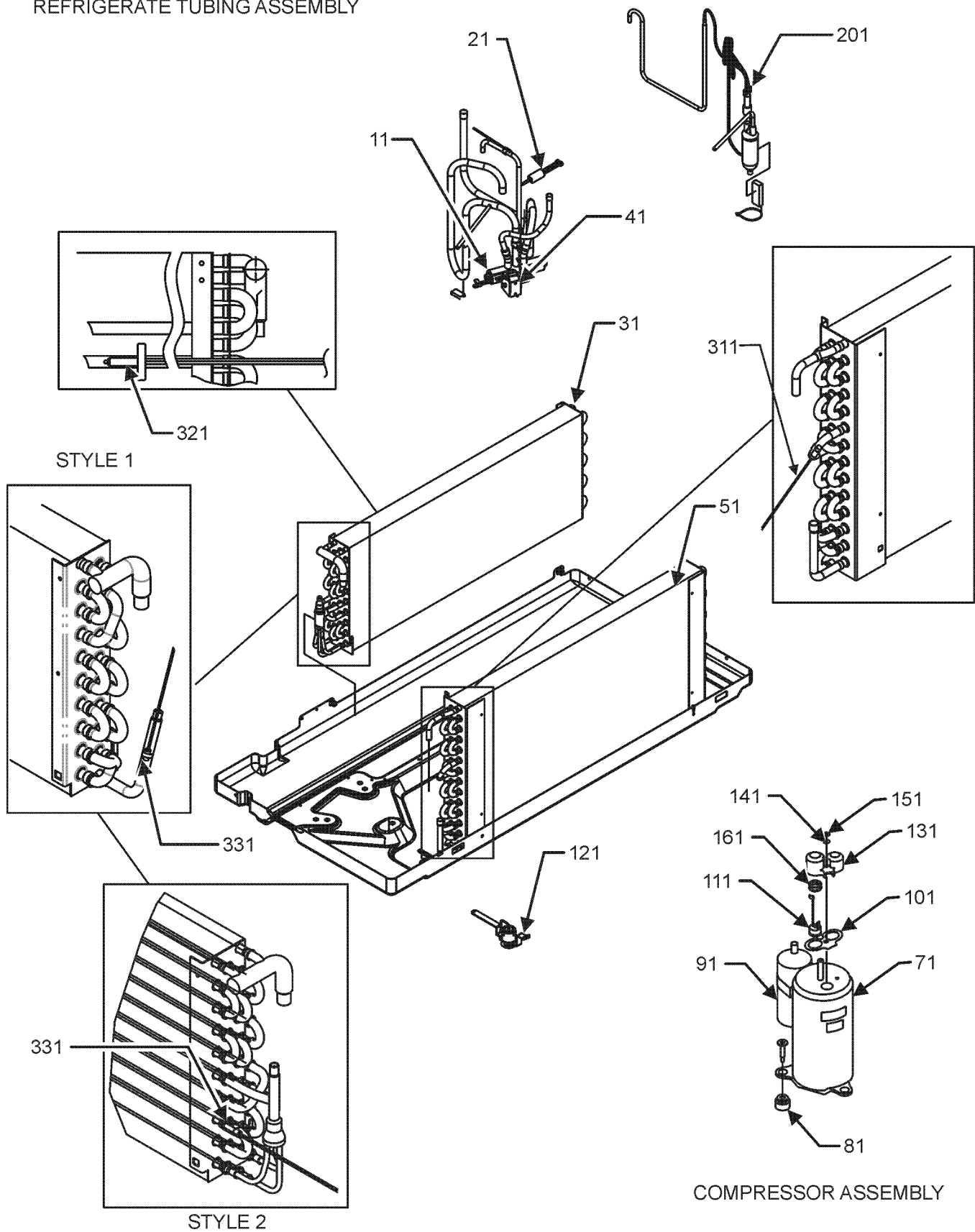
11	0121P00173DG	SCROLL
31	0161P00021	END CAP, RIGHT
41	0161P00022	END CAP, LEFT
51	0275P00019	HEATER ASSY (M2, M3, M4)
51	0275P00038	HEATER ASSY (M5, M6, M7, M8)
61	0150P00005	WHEEL, BLOWER
71	0131P00029	FAN MOTOR, IN DOOR
81	0163P00027	BEARING
91	0121P00048	BRACKET-MOTOR MOUNT
101	0130P00134	THERMISTOR - DISCHARGE
121	0121P00059DG	ENDPLATE-RH SCROLL
131	0121P00215DG	ENDPLATE- LH SCROLL

Expanded Model Nomenclature

M1 - HEH073H15A XXXEA
M2 - HEH073H25A XXXEA
M3 - HEH073H25D XXXEA
M4 - HEH073H25R XXXEA
M5 - HEH073H35A XXXEA
M6 - HEH073H35CP XXXEA
M7 - HEH073H35D XXXEA
M8 - HEH073H35P XXXEA

Refrigerant Tubing Assembly

REFRIGERATE TUBING ASSEMBLY



Refrigerant Tubing Assembly

Ref. Part No:	Ref. Part No:	Description:	Description:
---------------	---------------	--------------	--------------

Image 1:

11	0151P00009	PTAC REVERSING VALVE ASSY
21	0130M00169	SWITCH, HIGH PRESS
31	0202P00067	EVAP ASSY, 3/8, 2 ROW
41	0130P00022	REVERSING VALVE COIL
51	0201P00097	7 MM CONDENSER COIL ASSY (M1, M2, M3, M4, M5, M7, M8)
51	0201P00105NG	7MM CONDENSER ASSEMBLY PAINTED (M6)
71	39B152AD&9DKZ	COMPRESSOR, RECHI
81	60130203	GROMMET - RECHI COMPRESSOR (QTY 3)
91	0163M00079	SHOULDER SCREW (QTY 3)
101	60100103	TERMINAL GASKET
111	60343542	PROTECTOR, OVERLOAD, RECHI
121	20406303	BASE PAN VALVE (M1, M2, M3, M4, M5, M7)
131	60100314	TERMINAL COVER - RECHI COMP
141	60100201	WASHER - RECHI COMPRESSOR
151	60100401	TERMINAL NUT - RECHI COMP
161	60500101	OLP SPRING - RECHI COMPRESSOR
201	0210P00423	CAPILLARY TUBE WELD
311	0130P00130	THERMISTOR
321	0130P00141	THERMISTOR
331	0130P00084	THERMISTOR - INDOOR COIL

Expanded Model Nomenclature

- | |
|-----------------------|
| M1 - HEH073H15AXXXEA |
| M2 - HEH073H25AXXXEA |
| M3 - HEH073H25DXXXXEA |
| M4 - HEH073H25RXXXXEA |
| M5 - HEH073H35AXXXEA |
| M6 - HEH073H35CPXXEA |
| M7 - HEH073H35DXXXXEA |
| M8 - HEH073H35PXXXXEA |