



REPAIR PARTS

HEC123H High Efficient Package Terminal Air Conditioner

HEC123H50VXXXGA



Amana® is a registered trademark of Maytag Corporation or its related companies and is used under license. All rights reserved.

This manual is to be used by qualified technicians only.

© 2019 Goodman Company, L.P. ♦ 5151 San Felipe St, Suite 500 ♦ Houston, TX 77056

Important Information

Index

Functional Parts List	3
Illustration and Parts	4 - 13

Views shown are for parts illustrations only, not servicing procedures

Text Codes:

AR - As Required

NA - Not Available

NS - Not Shown

00000000 - See Note

QTY - Quantity Example (QTY 3) (If Quantity not shown, Quantity = 1)

M - Model Example (M1) (If M Code not shown, then part is used on all Models)

Expanded Model Nomenclature:

Example M1 - Model#1 M2 - Model#2 M3 - Model#3

Goodman Company, L.P. is not responsible for personal injury or property damage resulting from improper service. Review all service information before beginning repairs.

Warranty service must be performed by an authorized technician, using authorized factory parts. If service is required after the warranty expires, Goodman Company, L.P. also recommends contacting an authorized technician and using authorized factory parts.

Goodman Company, L.P. reserves the right to discontinue, or change at any time, specifications or designs without notice or without incurring obligations.

For assistance within the U.S.A. contact:

Homeowner Support
Goodman Company, L.P.
19001 Kermier Road
Waller, Texas 77484
877-254-4729-Telephone
713-863-2382-Facsimile

For assistance outside the U.S.A. contact:

International Division
Goodman Company, L.P.
19001 Kermier Road
Waller, Texas 77484
713-861-2500-Telephone
713-863-2382-Facsimile

Functional Parts

Part

No: **Description:**

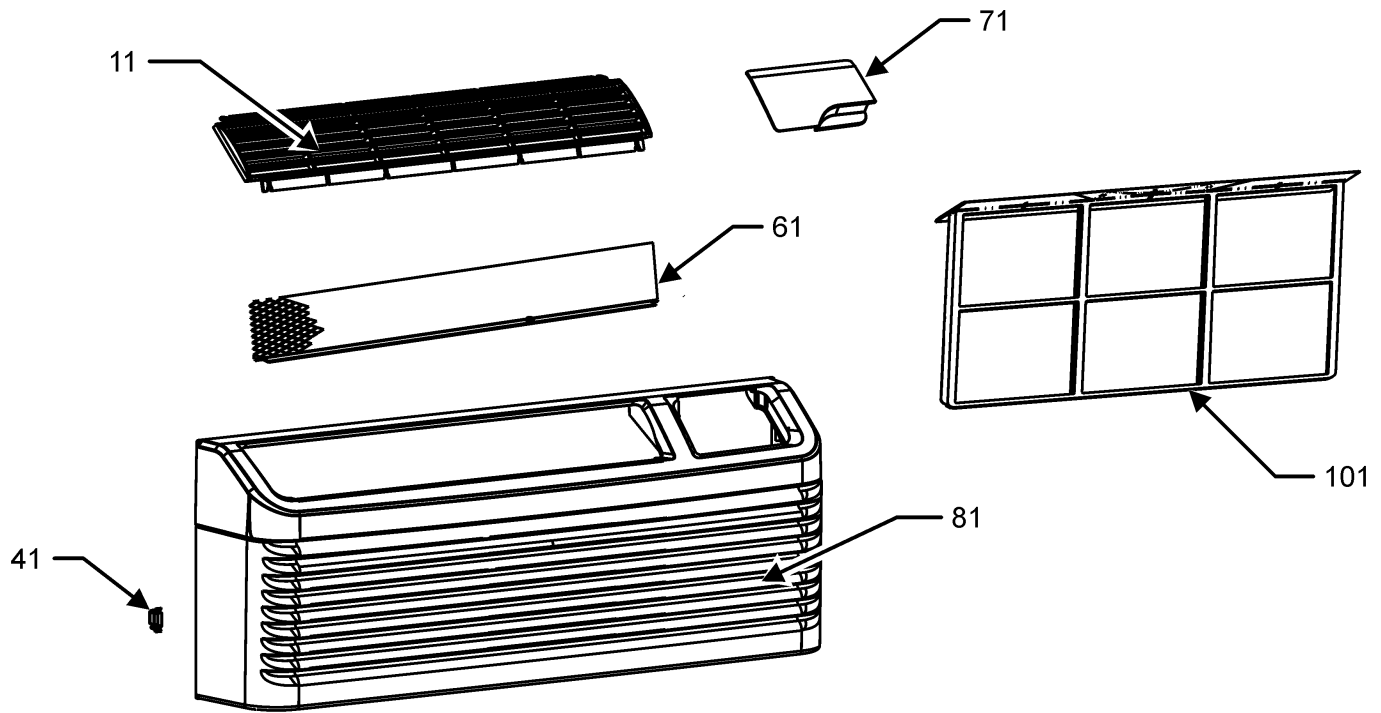
CAP020000440RP	CAPACITOR 2/440V
CAP030300450CS	CAPACITOR, 500V
44A272AL&FEKC	COMPRESSOR, RECHI
RSKP0012	CONTROL BOARD M70
0130P00118	CORD,250VAC,30A (LCD)
0131P00036	FAN MOTOR, INDOOR
0131P00030	FAN MOTOR, OUTDOOR DC
0161P00055	FAN, CONDENSER
0275P00039	HEATER ASSY
0130P00133	HUMIDITY SENSOR
RSKP0015	MEMBRANE KIT
0130P00137	MOTOR
PCBEP105	OUTDOOR DC CONTROL MOTOR
60343503	OVERLOAD PROTECTOR
PCBCP147	PCB, CONTROL, D70
0130M00169	SWITCH, HIGH PRESS
802007090	TERM BOARD
0130P00164	THERMISTOR IAT BLACK
0130P00165	THERMISTOR ICT RED
0130P00134	THERMISTOR IDT YELLOW
0130M00599	TRANSFMR,40VA,240V/208V TO 24V
0130M00341	TRANSFORMER 20VA 230V

Expanded Model Nomenclature

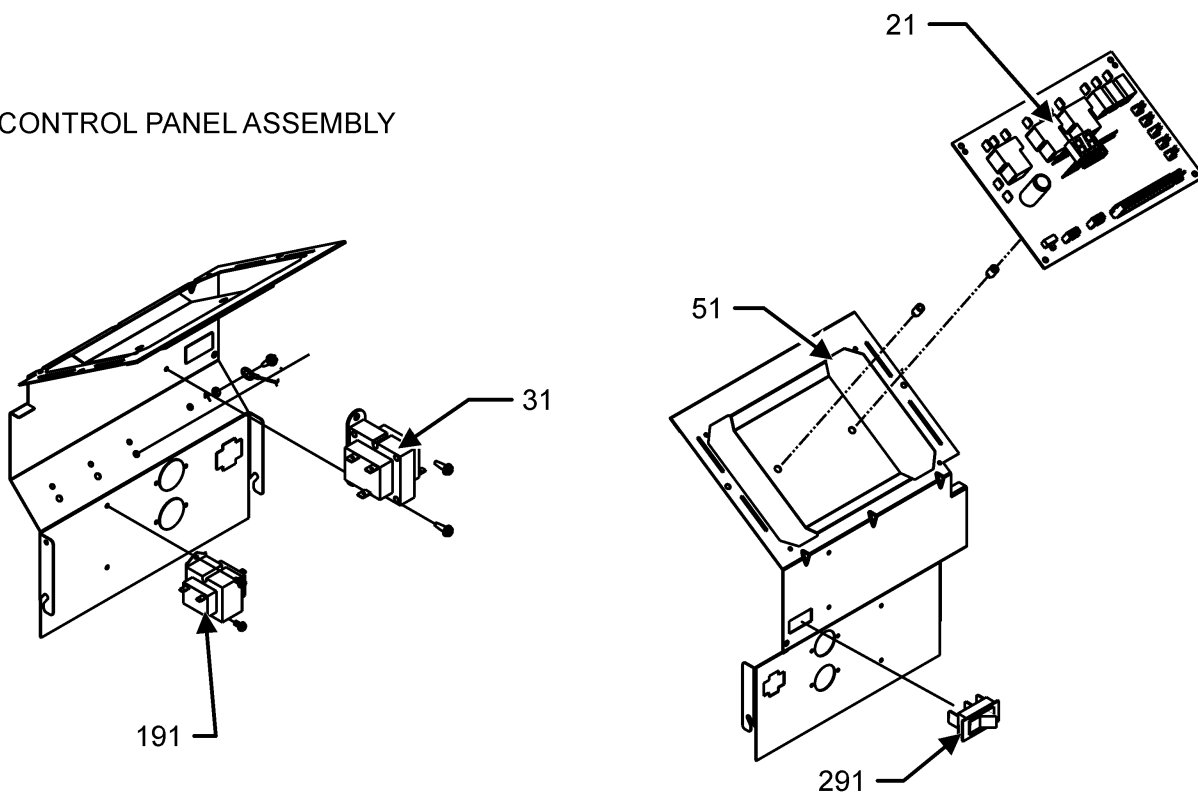
M1 - HEC123H50VXXXGA

Front Panel and Control Panel Assembly

FRONT PANEL ASSEMBLY



CONTROL PANEL ASSEMBLY



Front Panel and Control Panel Assembly

Ref. Part No:	No:	Description:	Ref. Part No:	No:	Description:
---------------	-----	--------------	---------------	-----	--------------

Image 1:

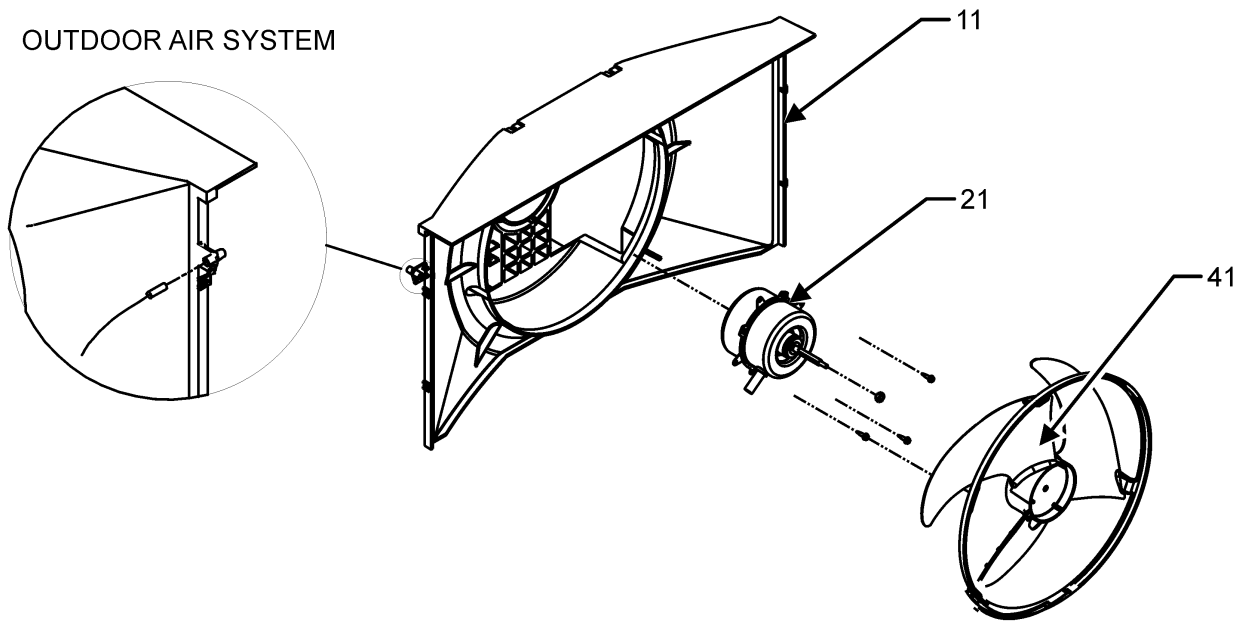
11	0161P00048	FRONT-DICHARGE LOUVERS
21	RSKP0012	CONTROL BOARD M70
31	0130M00341	TRANSFORMER 20VA 230V
41	0163P00025	CLIP
51	0121P00130	PANEL, CONTROL
61	0121P00194BL	SCREEN, DISCHARGE, PAINTED
71	0261P00003	DOOR ASSY -AMANA-
81	0261P00011	FRONT ASSY
101	0161P00035	FILTER, RACK
191	0130M00599	TRANSFMR,40VA,240V/208V TO 24V
291	B1337701	PADDLE SWITCH
NS	PCBCP147	PCB, CONTROL, D70

Expanded Model Nomenclature

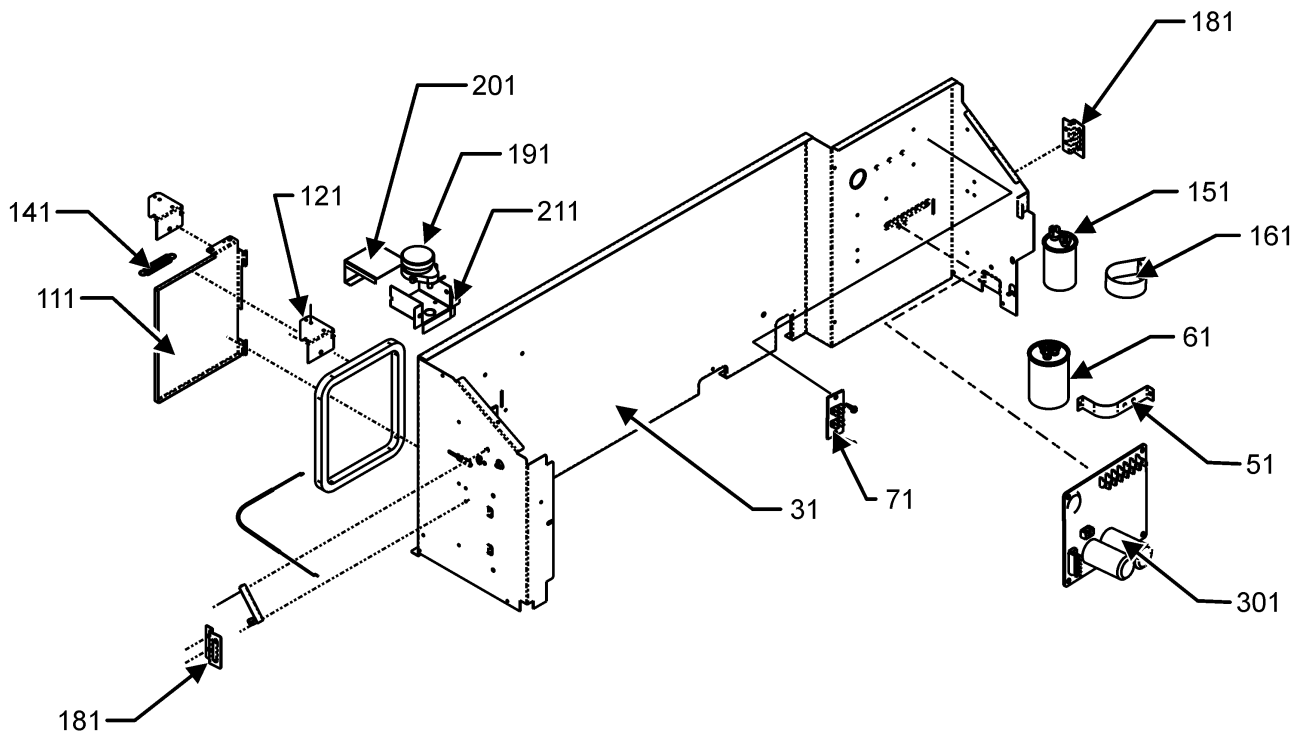
M1 - HEC123H50VXXXGA

Outdoor Air System and Partition Panel

OUTDOOR AIR SYSTEM



PARTITION PANEL ASSEMBLY



Outdoor Air System and Partition Panel

Ref. Part No:	No:	Description:	Ref. Part No:	No:	Description:
---------------	-----	--------------	---------------	-----	--------------

Image 1:

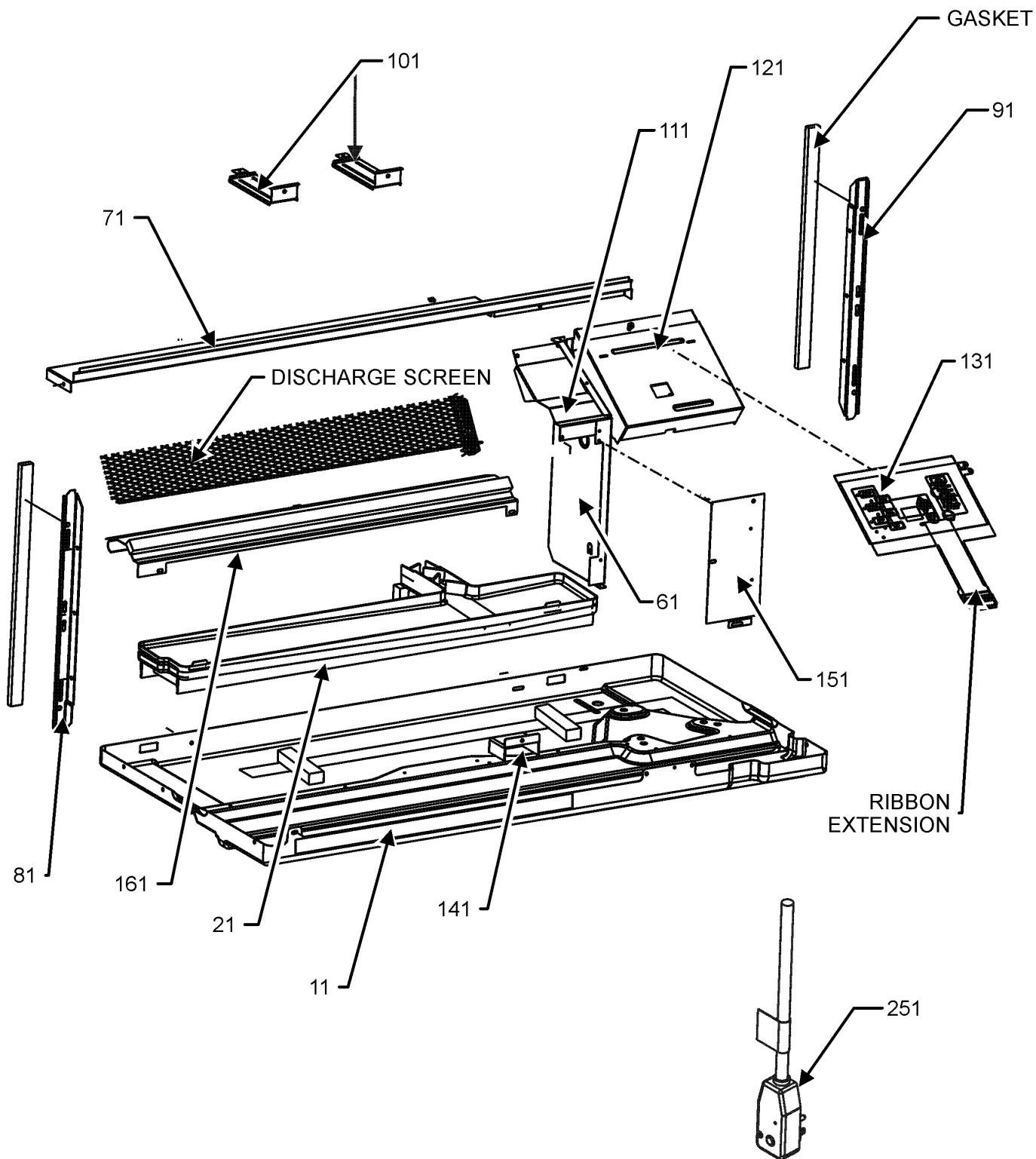
11	0161P00110	CONDENSER SHROUD
21	0131P00030	FAN MOTOR, OUTDOOR DC
31	0121P00108	PANEL-PARTITION
41	0161P00055	FAN, CONDENSER
51	C6300502	CAPACITOR STRAP
61	CAP030300450CS	CAPACITOR, 500V
71	802007090	TERM BOARD
111	0121P00177	DOOR - PNT VENT PTC
121	0121P00079	BRACKET, VENT DOOR
141	11166401	EXTENSION SPRING
151	CAP020000440RP	CAPACITOR 2/440V
161	0163P00029	CAPACITOR CLAMP
181	11191703	PARTITION PANEL BRACKET
191	0130P00137	MOTOR
201	11166201	POWER VENT COVER BRACKET
211	11166101	POWER VENT MOTOR BRACKET
311	PCBEP105	OUTDOOR DC CONTROL MOTOR
NS	0130P00133	HUMIDITY SENSOR

Expanded Model Nomenclature

M1 - HEC123H50VXXXGA

Base Pan Assembly

BASE PAN ASSEMBLY



Base Pan Assembly

Ref. Part No:	No:	Description:	Ref. Part No:	No:	Description:
---------------	-----	--------------	---------------	-----	--------------

Image 1:

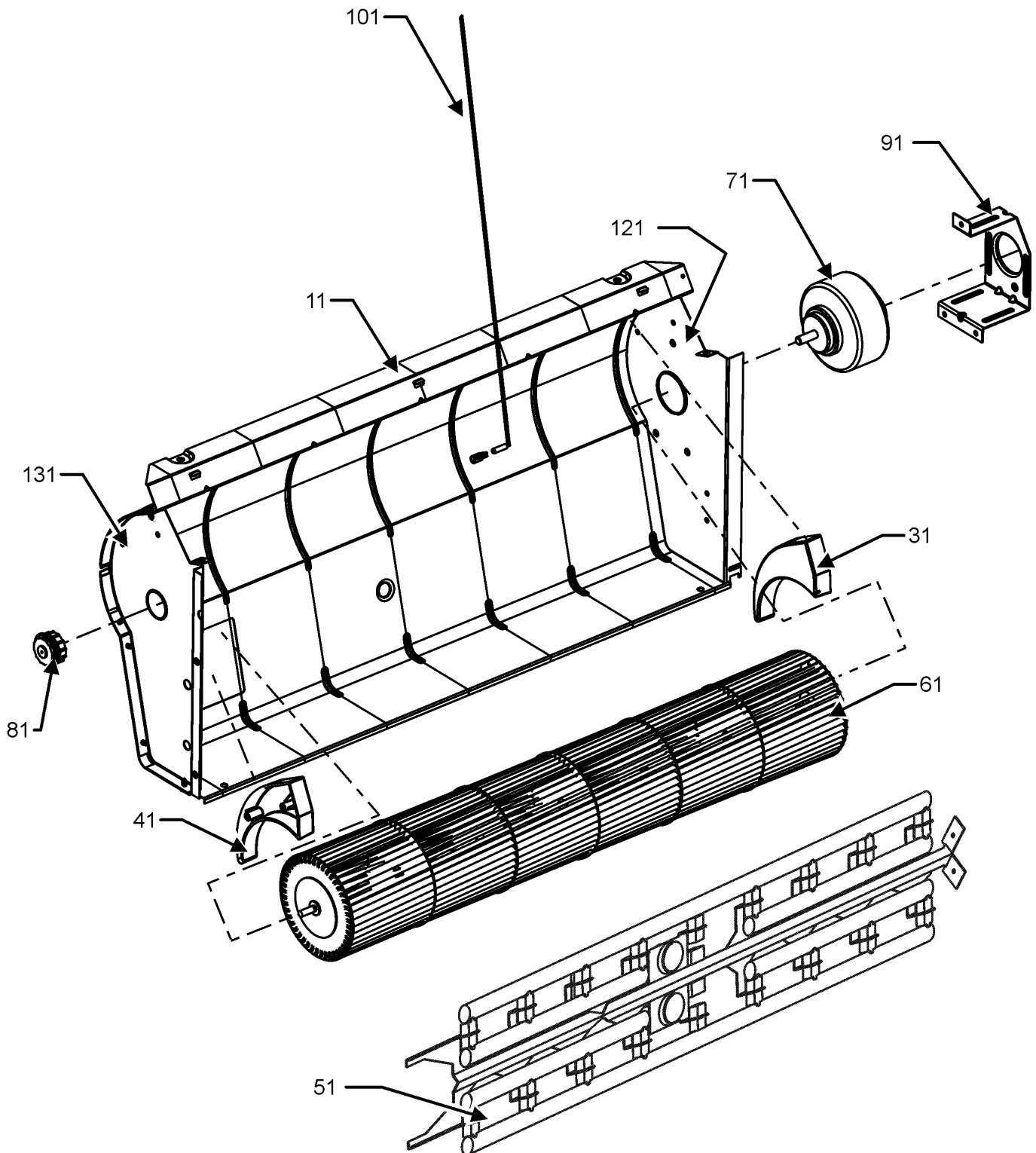
11	0121P00175DG	BASE PAN
21	0161P00044	PLASTIC-DRAIN PAN
61	0121P00278	PANEL-MID PTN PTC
71	0121P00063	TOP, PARTITION PANEL
81	0121P00197	SEAL-L SIDE PTC
91	0121P00198	SEAL-R SIDE PTC
101	0121P00071	BRACE, TIE
111	0121P00070DG	COVER, MOTOR
121	0121P00280	COVER-CONTROL PANEL
131	RSKP0015	MEMBRANE KIT
141	0161P00016	PLASTIC-HOOD
151	20410801	ACCESS COVER
161	0121P00061DG	CUTOFF-SCROLL DG
251	0130P00118	CORD,250VAC,30A (LCD)
NS	0130P00109	MEMBRANE (CONTROL)

Expanded Model Nomenclature

M1 - HEC123H50VXXXGA

Indoor Blower Assembly

INDOOR BLOWER ASSEMBLY



Indoor Blower Assembly

Ref. Part

No: No:

Description:

Ref. Part

No: No:

Description:

Image 1:

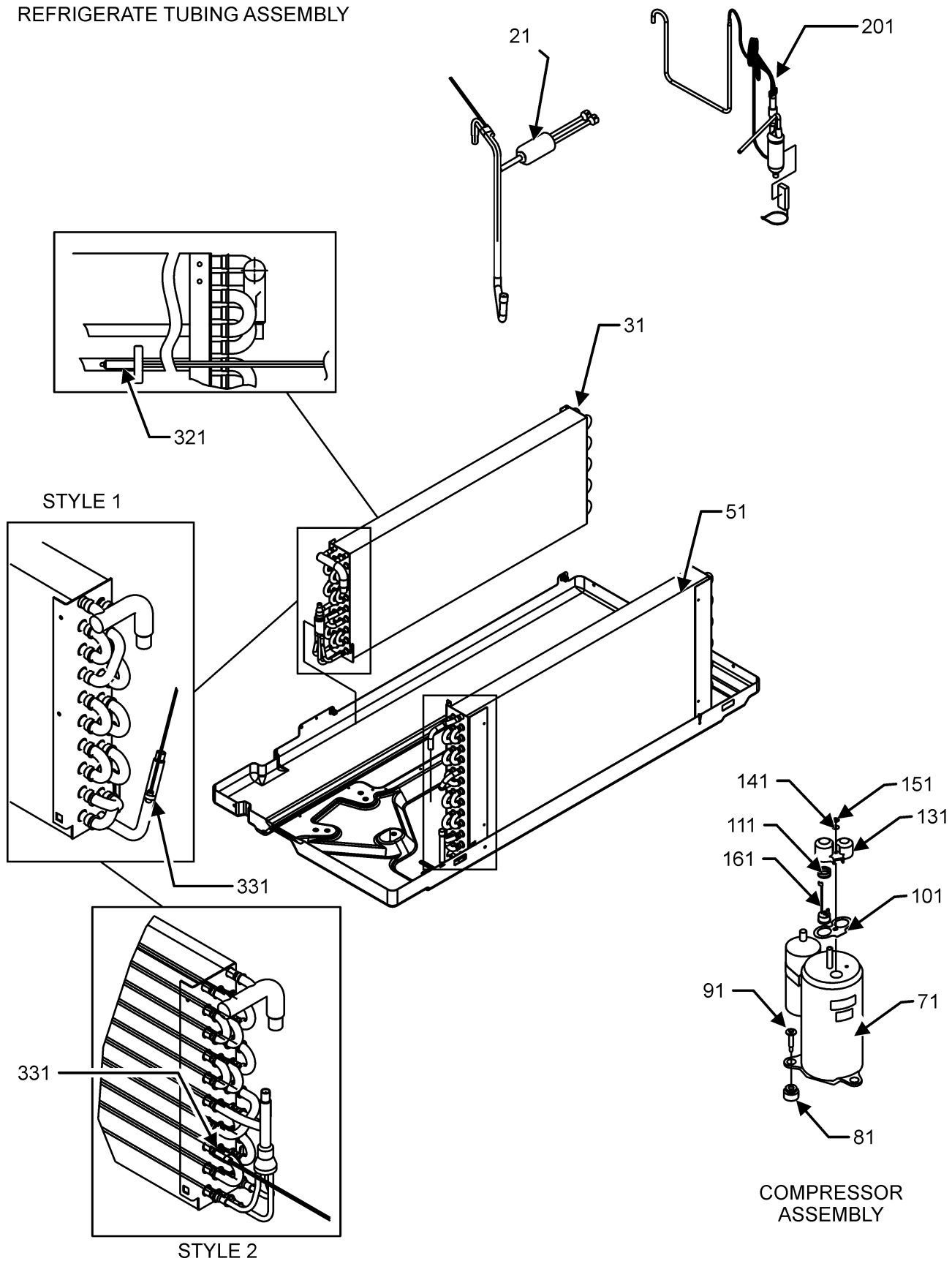
11	0121P00173DG	SCROLL
31	0161P00021	END CAP, RIGHT
41	0161P00022	END CAP, LEFT
51	0275P00039	HEATER ASSY
61	0150P00005	WHEEL, BLOWER
71	0131P00036	FAN MOTOR, INDOOR
81	0163P00027	BEARING
91	0121P00048	BRACKET-MOTOR MOUNT
101	0130P00134	THERMISTOR IDT YELLOW
121	0121P00059DG	ENDPLATE-RH SCROLL
131	0121P00215DG	ENDPLATE- LH SCROLL

Expanded Model Nomenclature

M1 - HEC123H50VXXXGA

Refrigerate Tube Assembly

REFRIGERATE TUBING ASSEMBLY



Refrigerate Tube Assembly

Ref. Part No:	No:	Description:	Ref. Part No:	No:	Description:
---------------	-----	--------------	---------------	-----	--------------

Image 1:

21	0130M00169	SWITCH, HIGH PRESS
31	0202P00095	7MM EVAP ASSY 2ROW
51	0201P00130	5MM CONDENSER COIL ASSY
71	44A272AL&FEKC	COMPRESSOR, RECHI
81	60130203	GROMMET - RECHI COMPRESSOR
91	0163M00079	SCREW, SHOULDER
101	60100103	TERMINAL GASKET
111	60343503	OVERLOAD PROTECTOR
131	60100314	TERMINAL COVER - RECHI COMP
141	60100201	WASHER - RECHI COMPRESSOR
151	60100401	TERMINAL NUT - RECHI COMP
161	60500101	OLP SPRING - RECHI COMPRESSOR
201	0210P00430	CAPILLARY WELDMENT
321	0130P00164	THERMISTOR IAT BLACK
331	0130P00165	THERMISTOR ICT RED

Expanded Model Nomenclature

M1 - HEC123H50VXXXGA
