

HEC123H High Efficient Package Terminal Air Conditioner

HEC123H50QXXXDA
HEC123H50RXXXDA
HEC123H50VXXXDA



Amana® is a registered trademark of Maytag Corporation or its related companies and is used under license. All rights reserved.

This manual is to be used by qualified technicians only.

Important Information

Index

Functional Parts List	3
Illustration and Parts	4 - 13

Views shown are for parts illustrations only, not servicing procedures.

Text Codes:

AR - As Required

NA - Not Available

NS - Not Shown

00000000 - See Note

QTY - Quantity Example (QTY 3) (If Quantity not shown, Quantity = 1)

M - Model Example (M1) (If M Code not shown, then part is used on all Models)

Expanded Model Nomenclature:

Example M1 - Model#1 M2 - Model#2 M3 - Model#3

Goodman Company, L.P. is not responsible for personal injury or property damage resulting from improper service. Review all service information before beginning repairs.

Warranty service must be performed by an authorized technician, using authorized factory parts. If service is required after the warranty expires, Goodman Company, L.P. also recommends contacting an authorized technician and using authorized factory parts.

Goodman Company, L.P. reserves the right to discontinue, or change at any time, specifications or designs without notice or without incurring obligations.

For assistance within the U.S.A. contact:

Homeowner Support
Goodman Company, L.P.
19001 Kermier Road
Waller, Texas 77484
877-254-4729-Telephone
713-863-2382-Facsimile

For assistance outside the U.S.A. contact:

International Division
Goodman Company, L.P.
19001 Kermier Road
Waller, Texas 77484
713-861-2500-Telephone
713-863-2382-Facsimile

Functional Parts

Part

No: Description:

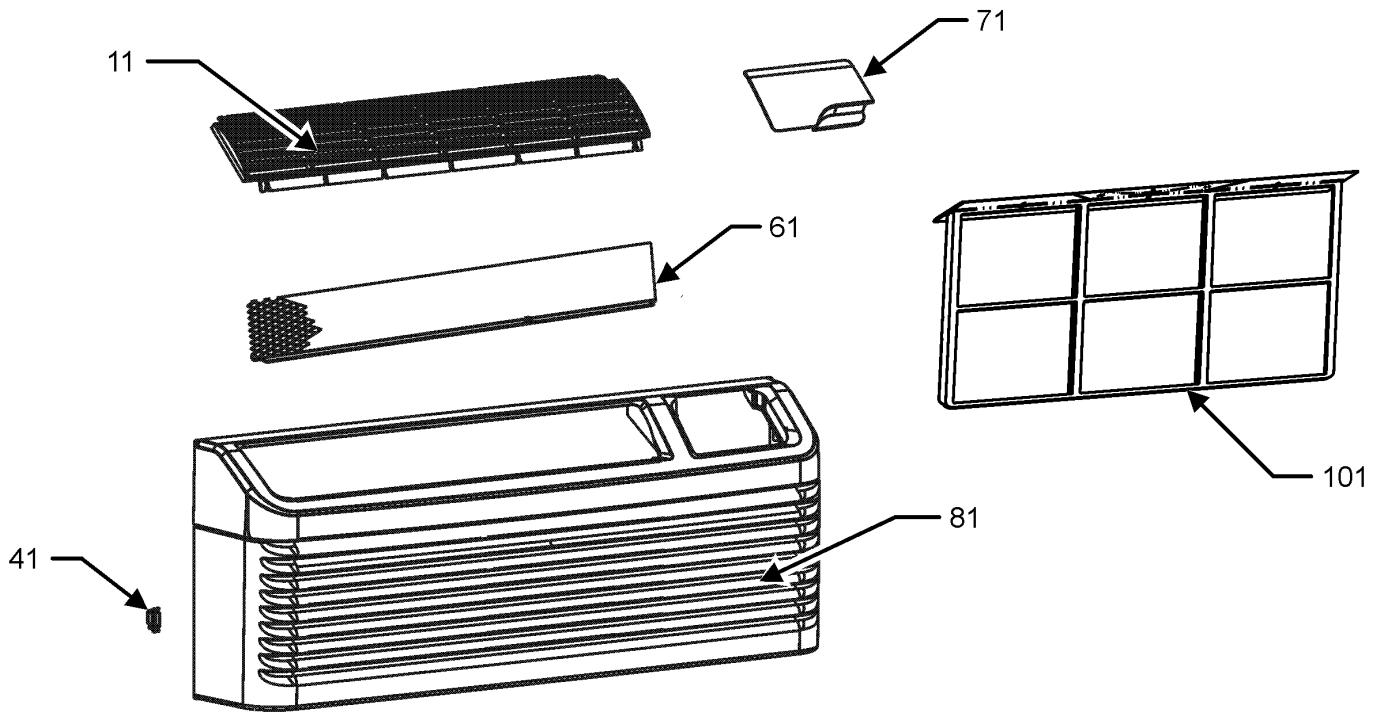
CAP020300450CS	CAPACITOR 2/30/450V/DUAL RD
CAP020000440RP	CAPACITOR 2/440V
44A262BM&JEKD	COMPRESSOR, RECHI
RSKP0012	CONTROL BOARD M70
0130P00118	CORD,250VAC,30A (LCD)
0131P00036	FAN MOTOR, INDOOR
0131P00030	FAN MOTOR, OUTDOOR DC
0161P00055	FAN, CONDENSER
0275P00039	HEATER ASSY
RSKP0015	MEMBRANE KIT
0130P00137	MOTOR (M3)
60343526	OVERLOAD PROTECTOR
PCBCP140	PCB, CONTROL, D70 (M3)
0130M00169	SWITCH, HIGH PRESS
802007090	TERM BOARD
0130P00094	THERMISTOR (M2)
0130P00073	THERMISTOR
0130P00134	THERMISTOR - DISCHARGE
0130P00077	THERMISTOR - INDOOR (M2)
0130P00084	THERMISTOR - INDOOR COIL
0130P00098	THERMISTOR - OUTDOOR AMBIENT (M2)
0130M00329	TRANSFORMER 20VA 60HZ
0130M00149	TRANSFORMER 240V/208V TO 24V, 40VA (M3)
PCBEP101	VARIABLE SPEED TERMINAL BOARD

Expanded Model Nomenclature

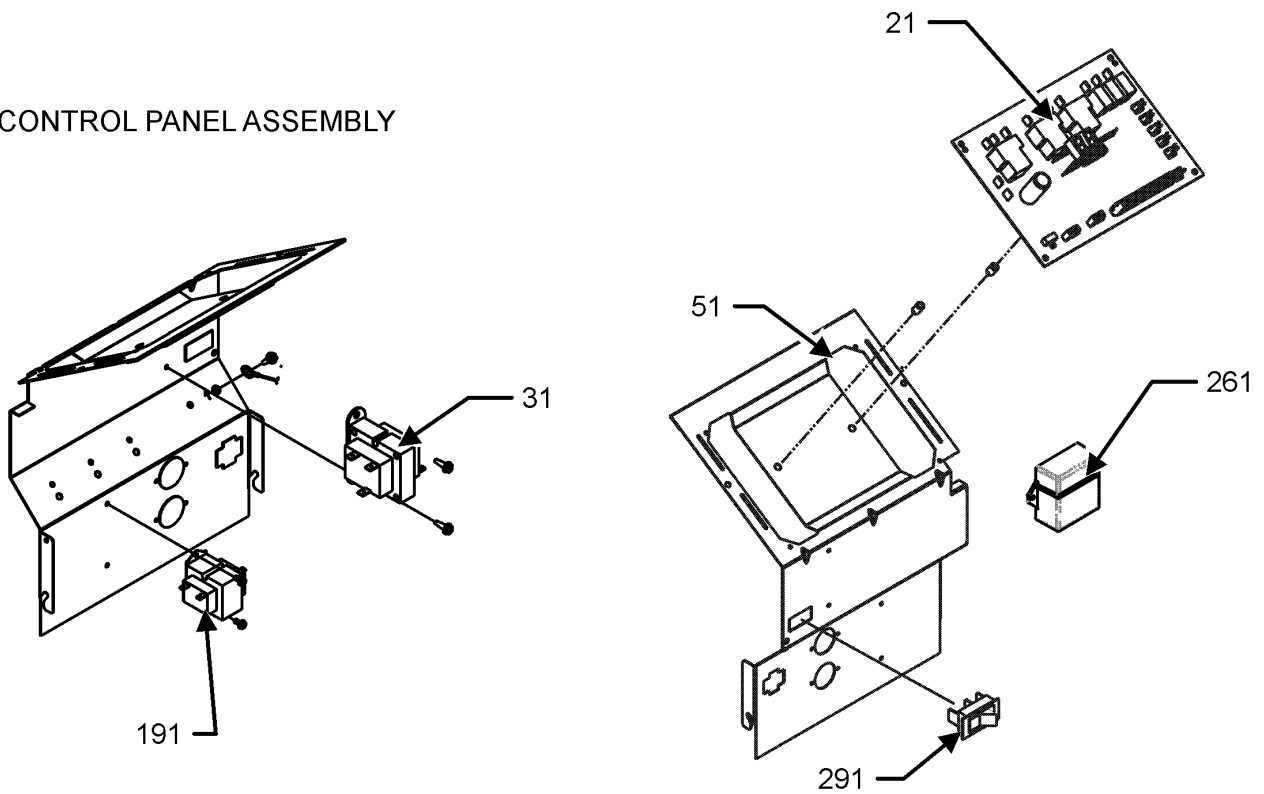
M1 - HEC123H50QXXXDA
M2 - HEC123H50RXXXDA
M3 - HEC123H50VXXXDA

Front Panel and Control Panel Assembly

FRONT PANEL ASSEMBLY



CONTROL PANEL ASSEMBLY



Front Panel and Control Panel Assembly

Ref. Part No:	No:	Description:	Ref. Part No:	No:	Description:
---------------	-----	--------------	---------------	-----	--------------

Image 1:

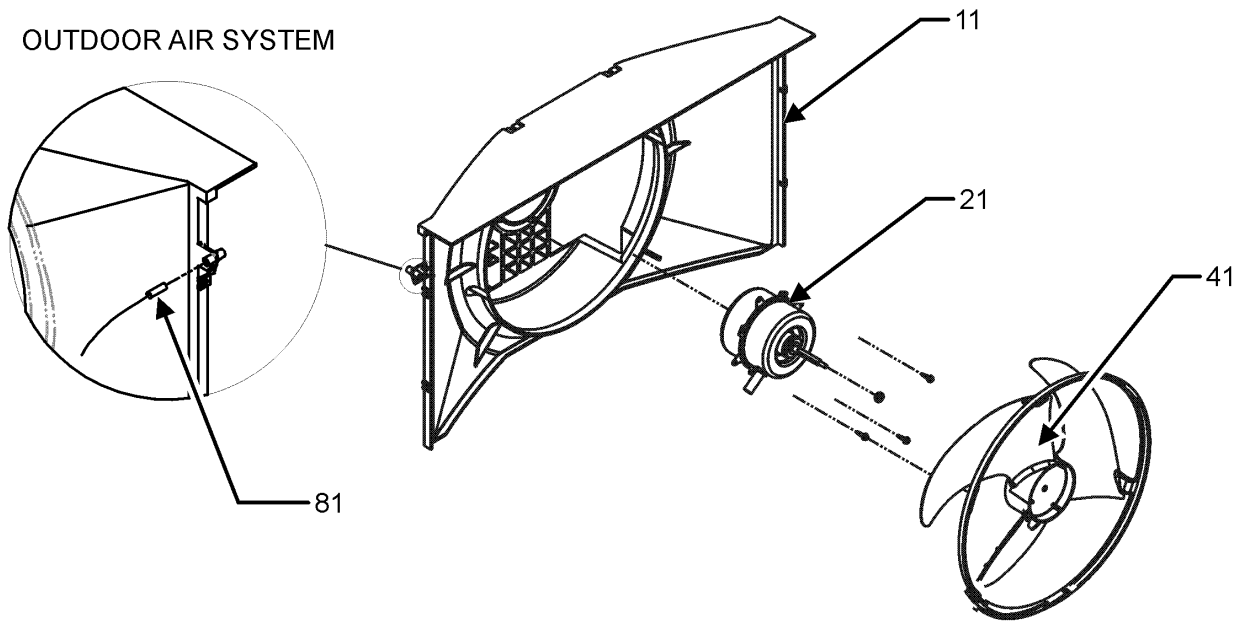
11	0161P00048	FRONT-DICHARGE LOUVERS
21	RSKP0012	CONTROL BOARD M70
31	0130M00329	TRANSFORMER 20VA 60HZ
41	0163P00025	CLIP (QTY 2)
51	0121P00130	PANEL, CONTROL
61	0121P00073	SCREEN, DISCHARGE
71	0261P00003	DOOR ASSY -AMANA-
81	0261P00011	FRONT ASSY
101	0161P00035	FILTER, RACK (QTY 2)
191	0130M00149	TRANSFORMER 240V/208V TO 24V, 40VA (M3)
261	0130P00104	ANTENNA (DIGITENNA) (M2)
291	B1337701	PADDLE SWITCH (M3)
NS	PCBCP140	PCB, CONTROL, D70 (M3)

Expanded Model Nomenclature

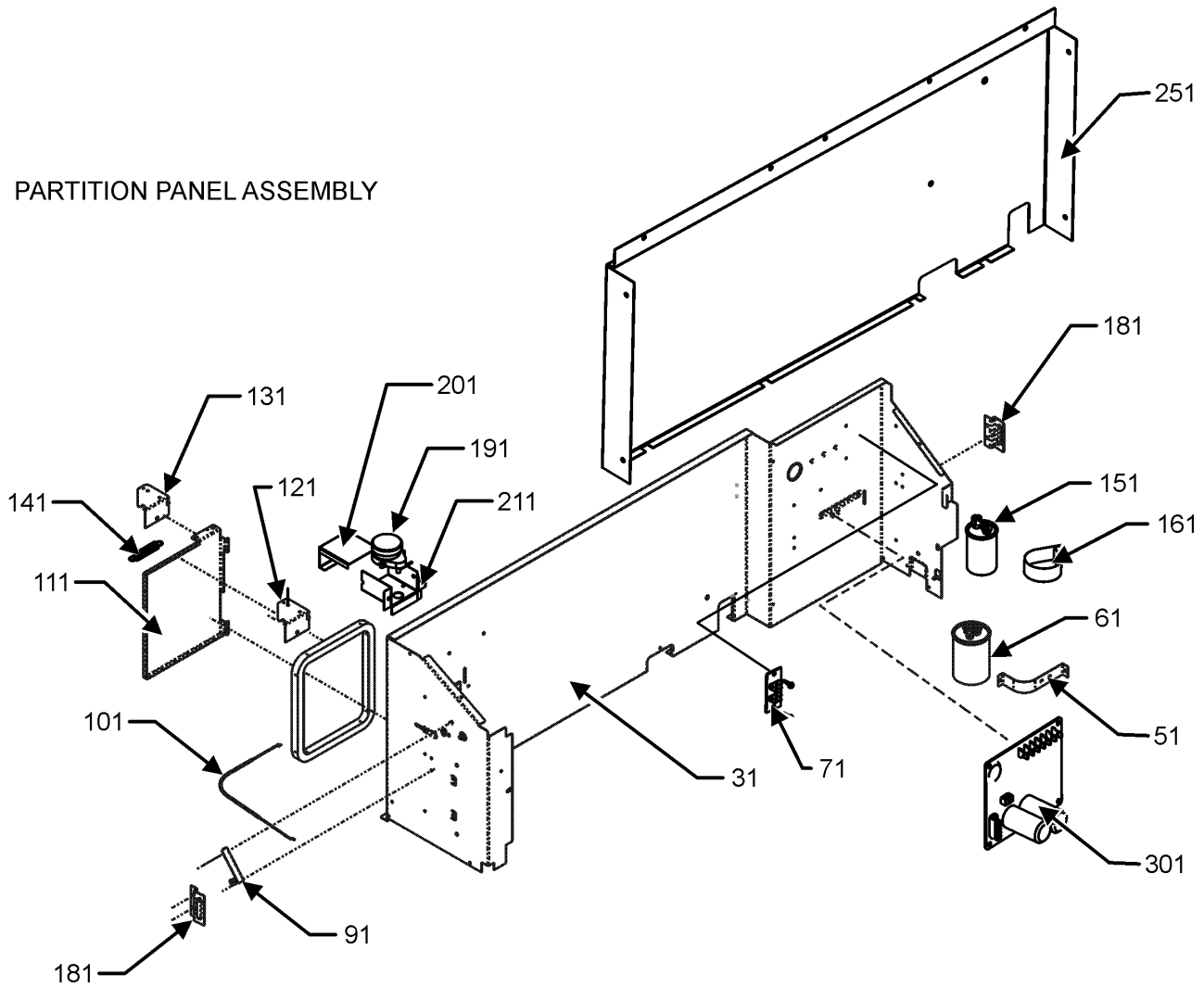
M1 - HEC123H50QXXXDA
M2 - HEC123H50RXXXDA
M3 - HEC123H50VXXXDA

Outdoor Air System and Partition Panel

OUTDOOR AIR SYSTEM



PARTITION PANEL ASSEMBLY



Outdoor Air System and Partition Panel

Ref. Part No:	Part No:	Description:	Ref. Part No:	Part No:	Description:
Image 1:					
11	0161P00053	SHROUD, CONDENSOR			
21	0131P00030	FAN MOTOR, OUTDOOR DC			
31	0121P00093	PANEL-PARTITION (M1)			
31	0121P00108	PANEL-PARTITION (M2, M3)			
41	0161P00055	FAN, CONDENSER			
51	C6300502	CAPACITOR STRAP			
61	CAP020300450CS	CAPACITOR 2/30/450V/DUAL RD			
71	802007090	TERM BOARD			
81	0130P00098	THERMISTOR - OUTDOOR AMBIENT (M2)			
91	11046302	LEVER ARM (M2)			
101	0163P00019	CABLE (M2)			
111	0121P00177	DOOR - PNT VENT PTC (M2, M3)			
121	0121P00079	BRACKET, VENT DOOR (M3)			
131	0121P00072	BRACKET, VENT DOOR-C (M2)			
141	11166401	EXTENSION SPRING (M3)			
151	CAP020000440RP	CAPACITOR 2/440V			
161	0163P00029	CAPACITOR CLAMP			
181	11191703	PARTITION PANEL BRACKET (QTY 2)			
191	0130P00137	MOTOR (M3)			
201	11166201	POWER VENT COVER BRACKET (M3)			
211	11166101	POWER VENT MOTOR BRACKET (M3)			
251	0121P00091	PANEL-AUXILLIARY (M1)			
301	PCBEP101	VARIABLE SPEED TERMINAL BOARD			

Expanded Model Nomenclature

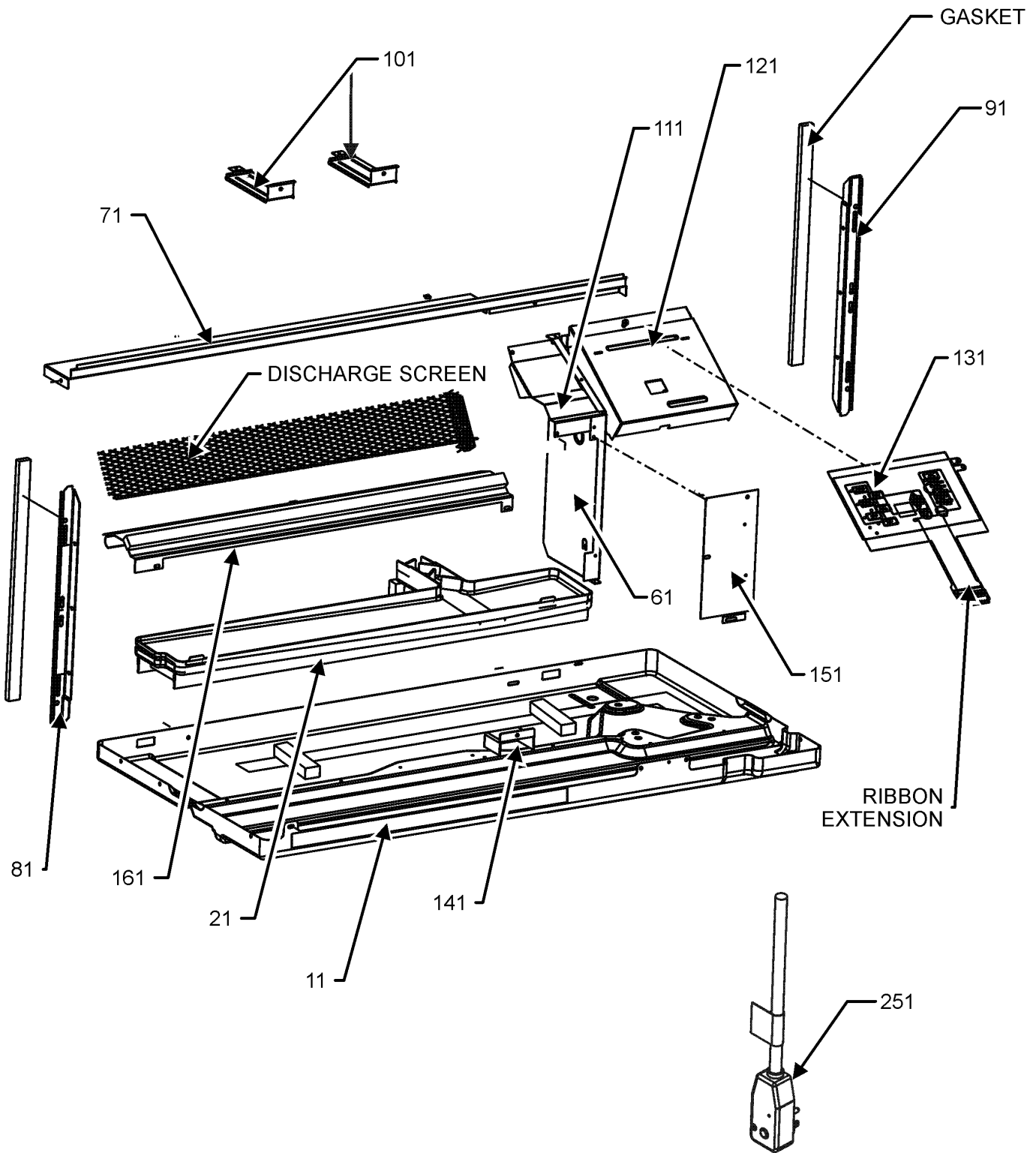
M1 - HEC123H50QXXXDA

M2 - HEC123H50RXXXDA

M3 - HEC123H50VXXXDA

Base Pan Assembly

BASE PAN ASSEMBLY



Base Pan Assembly

Ref. Part No:	No:	Description:	Ref. Part No:	No:	Description:
---------------	-----	--------------	---------------	-----	--------------

Image 1:

11	0121P00175DG	BASE PAN
21	0161P00044	PLASTIC-DRAIN PAN
61	20403301	MID PARTITION PANEL
71	0121P00063	TOP, PARTITION PANEL
81	0121P00197	SEAL-L SIDE PTC
91	0121P00198	SEAL-R SIDE PTC
101	0121P00071	BRACE, TIE (QTY 2)
111	0121P00070DG	COVER, MOTOR
121	0121P00129	COVER-CONTROL PANEL
131	RSKP0015	MEMBRANE KIT
141	0161P00016	PLASTIC-HOOD (M2, M3)
151	20410801	ACCESS COVER
161	0121P00061DG	CUTOFF-SCROLL DG
251	0130P00118	CORD,250VAC,30A (LCD)
NS	0130P00109	MEMBRANE (CONTROL)

Expanded Model Nomenclature

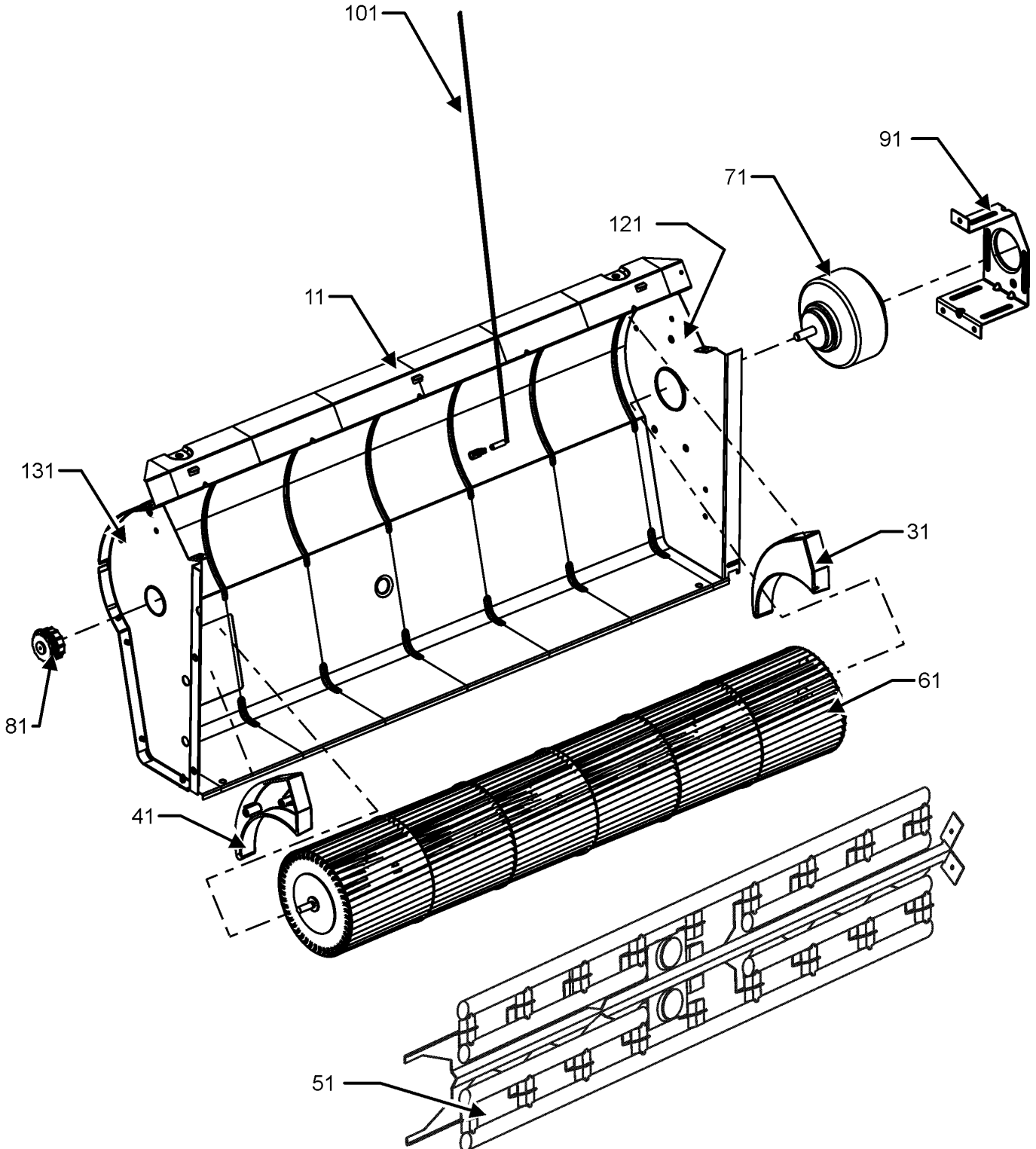
M1 - HEC123H50QXXXDA

M2 - HEC123H50RXXXDA

M3 - HEC123H50VXXXDA

Indoor Blower Assembly

INDOOR BLOWER ASSEMBLY



Indoor Blower Assembly

Ref. Part No:	No:	Description:	Ref. Part No:	No:	Description:
---------------	-----	--------------	---------------	-----	--------------

Image 1:

11	0121P00173DG	SCROLL
31	0161P00021	END CAP, RIGHT
41	0161P00022	END CAP, LEFT
51	0275P00039	HEATER ASSY
61	0150P00004	WHEEL, BLOWER
71	0131P00036	FAN MOTOR, INDOOR
81	0163P00027	BEARING
91	0121P00048	BRACKET-MOTOR MOUNT
101	0130P00134	THERMISTOR - DISCHARGE
121	0121P00059DG	ENDPLATE-RH SCROLL
131	0121P00215DG	ENDPLATE- LH SCROLL

Expanded Model Nomenclature

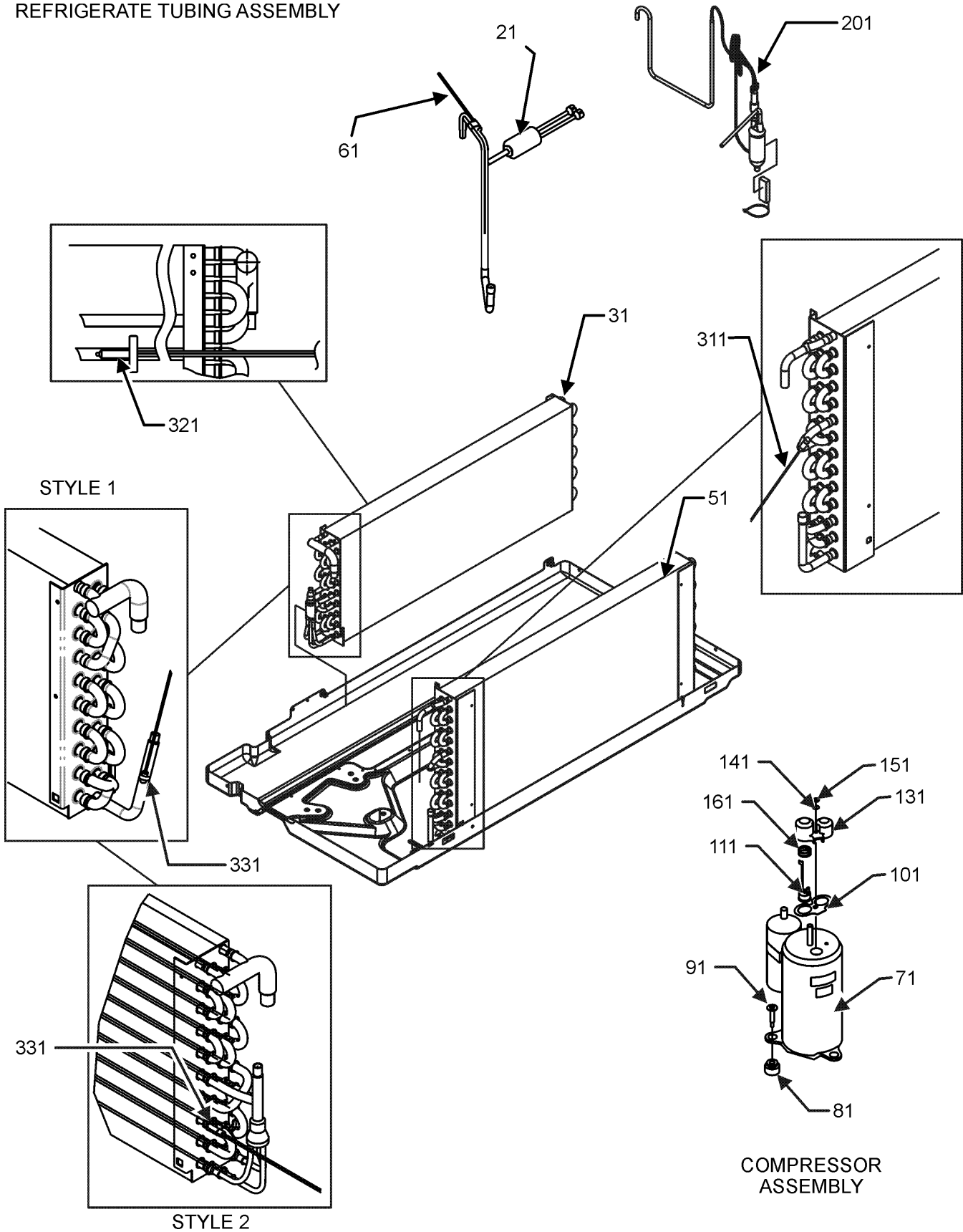
M1 - HEC123H50QXXXDA

M2 - HEC123H50RXXXDA

M3 - HEC123H50VXXXDA

Refrigerate Tube Assembly

REFRIGERATE TUBING ASSEMBLY



Refrigerate Tube Assembly

Ref. Part No:	Part No:	Description:	Ref. Part No:	Part No:	Description:
---------------	----------	--------------	---------------	----------	--------------

Image 1:

21	0130M00169	SWITCH, HIGH PRESS			
31	0202P00067	EVAP ASSY, 3/8, 2 ROW			
51	0201P00094	5MM CONDENSER COIL ASSY			
61	0130P00077	THERMISTOR - INDOOR (M2)			
71	44A262BM&JEKD	COMPRESSOR, RECHI			
81	60130203	GROMMET - RECHI COMPRESSOR (QTY 3)			
91	0163M00079	SCREW, SHOULDER (QTY 3)			
101	60100103	TERMINAL GASKET			
111	60343526	OVERLOAD PROTECTOR			
131	60100314	TERMINAL COVER - RECHI COMP			
141	60100201	WASHER - RECHI COMPRESSOR			
151	60100401	TERMINAL NUT - RECHI COMP			
161	60500101	OLP SPRING - RECHI COMPRESSOR			
201	0210P00300	CAPILLARY WELDMENT			
311	0130P00094	THERMISTOR (M2)			
321	0130P00073	THERMISTOR			
331	0130P00084	THERMISTOR - INDOOR COIL			

Expanded Model Nomenclature

- | |
|----------------------|
| M1 - HEC123H50QXXXDA |
| M2 - HEC123H50RXXXDA |
| M3 - HEC123H50VXXXDA |