

## HEC093H High Efficient Package Terminal Air Conditioner

HEC093H35VXXXGA  
HEC093H50AXXXGA  
HEC093H50CXXXGA  
HEC093H50DXXXGA  
HEC093H50QXXXGA  
HEC093H50RXXXGA  
HEC093H50VXXXGA



Amana® is a registered trademark of Maytag Corporation or its related companies and is used under license. All rights reserved.

This manual is to be used by qualified technicians only.

# Important Information

---

## Index

Functional Parts List .....	3
Illustration and Parts .....	4 - 13

*Views shown are for parts illustrations only, not servicing procedures*

### Text Codes:

AR - As Required

NA - Not Available

NS - Not Shown

00000000 - See Note

QTY - Quantity Example (QTY 3) (If Quantity not shown, Quantity = 1)

M - Model Example (M1) (If M Code not shown, then part is used on all Models)

### Expanded Model Nomenclature:

Example M1 - Model#1 M2 - Model#2 M3 - Model#3
---

Goodman Company, L.P. is not responsible for personal injury or property damage resulting from improper service. Review all service information before beginning repairs.

Warranty service must be performed by an authorized technician, using authorized factory parts. If service is required after the warranty expires, Goodman Company, L.P. also recommends contacting an authorized technician and using authorized factory parts.

Goodman Company, L.P. reserves the right to discontinue, or change at any time, specifications or designs without notice or without incurring obligations.

For assistance within the U.S.A. contact:

Homeowner Support  
Goodman Company, L.P.  
19001 Kermier Road  
Waller, Texas 77484  
877-254-4729-Telephone  
713-863-2382-Facsimile

For assistance outside the U.S.A. contact:

International Division  
Goodman Company, L.P.  
19001 Kermier Road  
Waller, Texas 77484  
713-861-2500-Telephone  
713-863-2382-Facsimile

# Functional Parts

## Part

## No: Description:

---

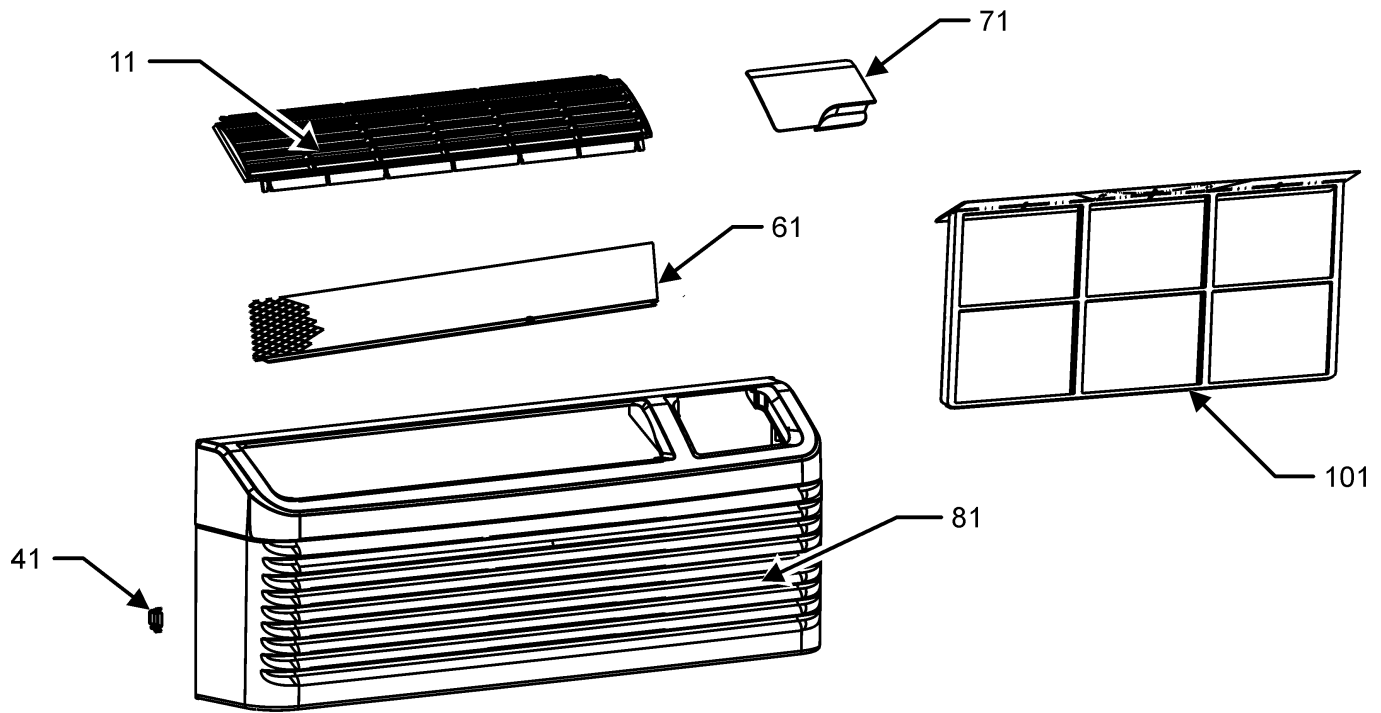
CAP020250450CS	CAP, 2/25 MFD/450V/DUAL RD
CAP020000440RP	CAPACITOR 2/440V
39B202AD&0JKZ	COMPRESSOR, RECHI
RSKP0012	CONTROL BOARD M70
0130P00115	CORD,250VAC,20A (LCD) (M1)
0130P00118	CORD,250VAC,30A (LCD) (M2, M3, M4, M5, M6, M7)
0131P00035	FAN MOTOR, INDOOR (M1)
0131P00030	FAN MOTOR, OUTDOOR DC
0161P00055	FAN, CONDENSER
0275P00038	HEATER ASSY (M1)
0275P00039	HEATER ASSY (M2, M3, M4, M5, M6, M7)
0275P00038	HEATER ASSY (M1)
0130P00133	HUMIDITY SENSOR (M1, M4, M7)
RSKP0015	MEMBRANE KIT
0130P00137	MOTOR (M1, M4, M7)
60343638	OVERLOAD PROTECTOR-RECHI
PCBCP147	PCB, CONTROL, D70 (M1, M4, M7)
0130M00169	SWITCH, HIGH PRESS
802007090	TERM BOARD
0130P00141	THERMISTOR IAT BLACK (M3)
0130P00164	THERMISTOR IAT BLACK (M1, M2, M4, M5, M6, M7)
0130P00084	THERMISTOR ICT RED (M3)
0130P00165	THERMISTOR ICT RED (M1, M2, M4, M5, M6, M7)
0130P00134	THERMISTOR IDT YELLOW
0130P00077	THERMISTOR IHD ORANGE (M6)
0130P00098	THERMISTOR OAT GREEN (M6)
0130P00094	THERMISTOR OCT BLUE (M6)
0130M00599	TRANSFMR,40VA,240V/208V TO 24V (M1, M4, M7)
0130M00341	TRANSFORMER 20VA 230V
PCBEP101	VARIABLE SPEED TERMINAL BOARD

### Expanded Model Nomenclature

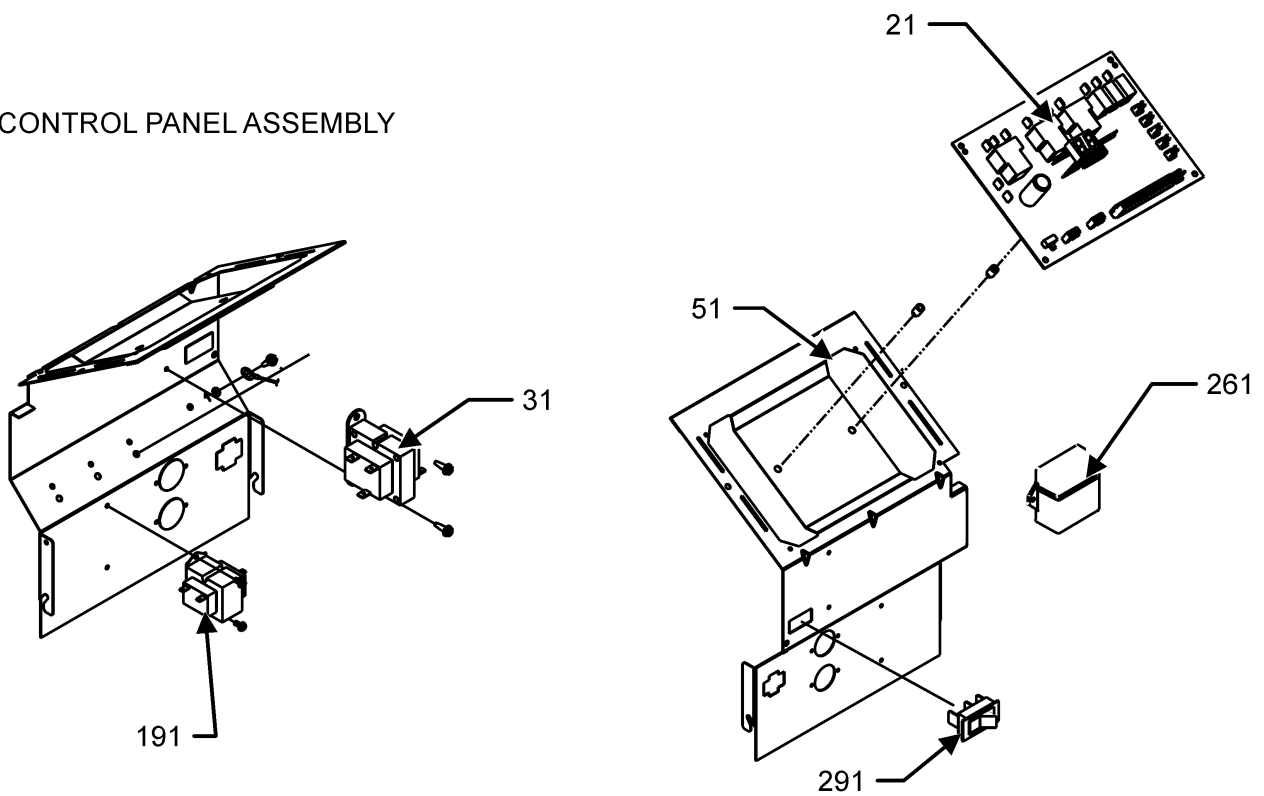
M1 - HEC093H35VXXXGA
M2 - HEC093H50AXXXGA
M3 - HEC093H50CXXXGA
M4 - HEC093H50DXXXGA
M5 - HEC093H50QXXXGA
M6 - HEC093H50RXXXGA
M7 - HEC093H50VXXXGA

# Front Panel and Control Panel Assembly

## FRONT PANEL ASSEMBLY



## CONTROL PANEL ASSEMBLY



# Front Panel and Control Panel Assembly

Ref. Part No: No:	Description:	Ref. Part No: No:	Description:
-------------------	--------------	-------------------	--------------

---

**Image 1:**

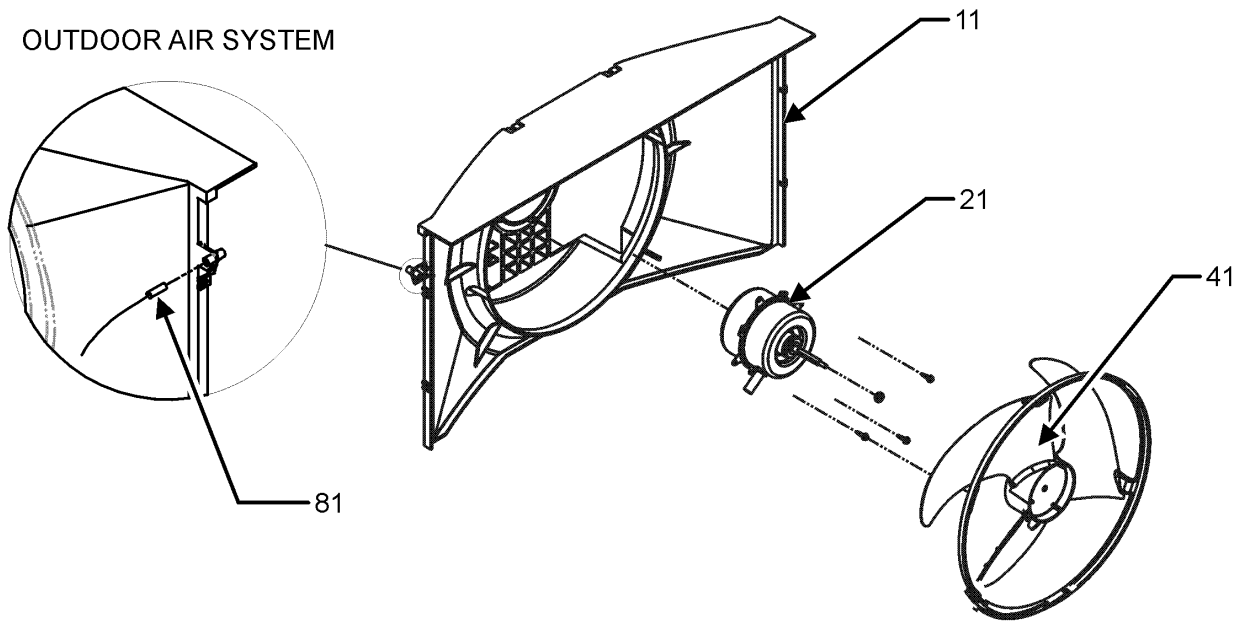
11	0161P00048	FRONT-DICHARGE LOUVERS
21	RSKP0012	CONTROL BOARD M70
31	0130M00341	TRANSFORMER 20VA 230V
41	0163P00025	CLIP (QTY 2)
51	0121P00130	PANEL, CONTROL
61	0121P00194BL	SCREEN, DISCHARGE, PAINTED
71	0261P00003	DOOR ASSY -AMANA-
81	0261P00011	FRONT ASSY
101	0161P00035	FILTER, RACK (QTY 2)
191	0130M00599	TRANSFMR,40VA,240V/208V TO 24V (M1, M4, M7)
261	0130P00104	ANTENNA (M6)
291	B1337701	PADDLE SWITCH (M1, M4, M7)
NS	PCBCP147	PCB, CONTROL, D70 (M1, M4, M7)

**Expanded Model Nomenclature**

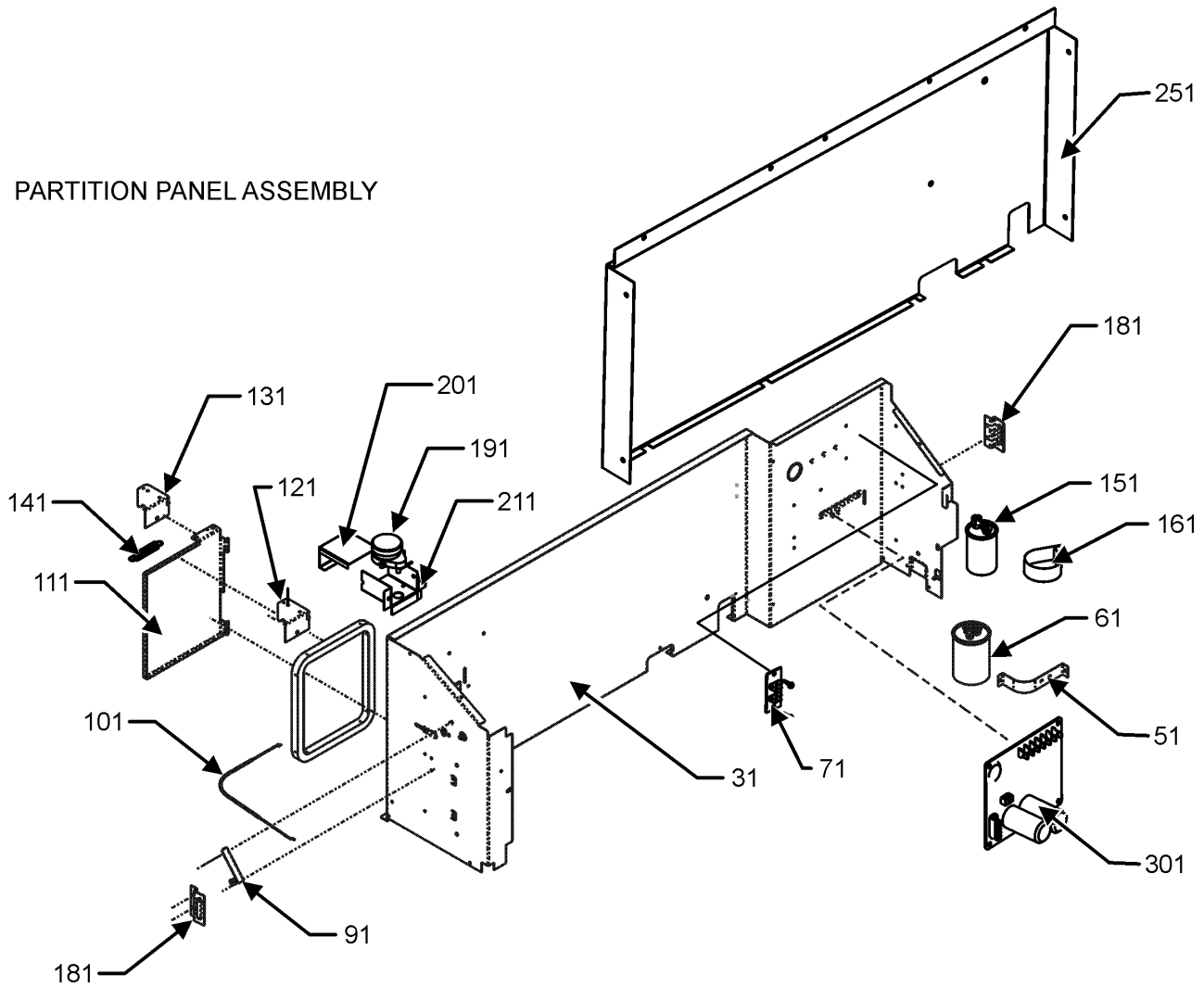
M1 - HEC093H35VXXXGA
M2 - HEC093H50AXXXGA
M3 - HEC093H50CXXXGA
M4 - HEC093H50DXXXGA
M5 - HEC093H50QXXXGA
M6 - HEC093H50RXXXGA
M7 - HEC093H50VXXXGA

# Outdoor Air System and Partition Panel

## OUTDOOR AIR SYSTEM



## PARTITION PANEL ASSEMBLY



# Outdoor Air System and Partition Panel

Ref. Part No:	Description:	Ref. Part No:	Description:
---------------	--------------	---------------	--------------

**Image 1:**

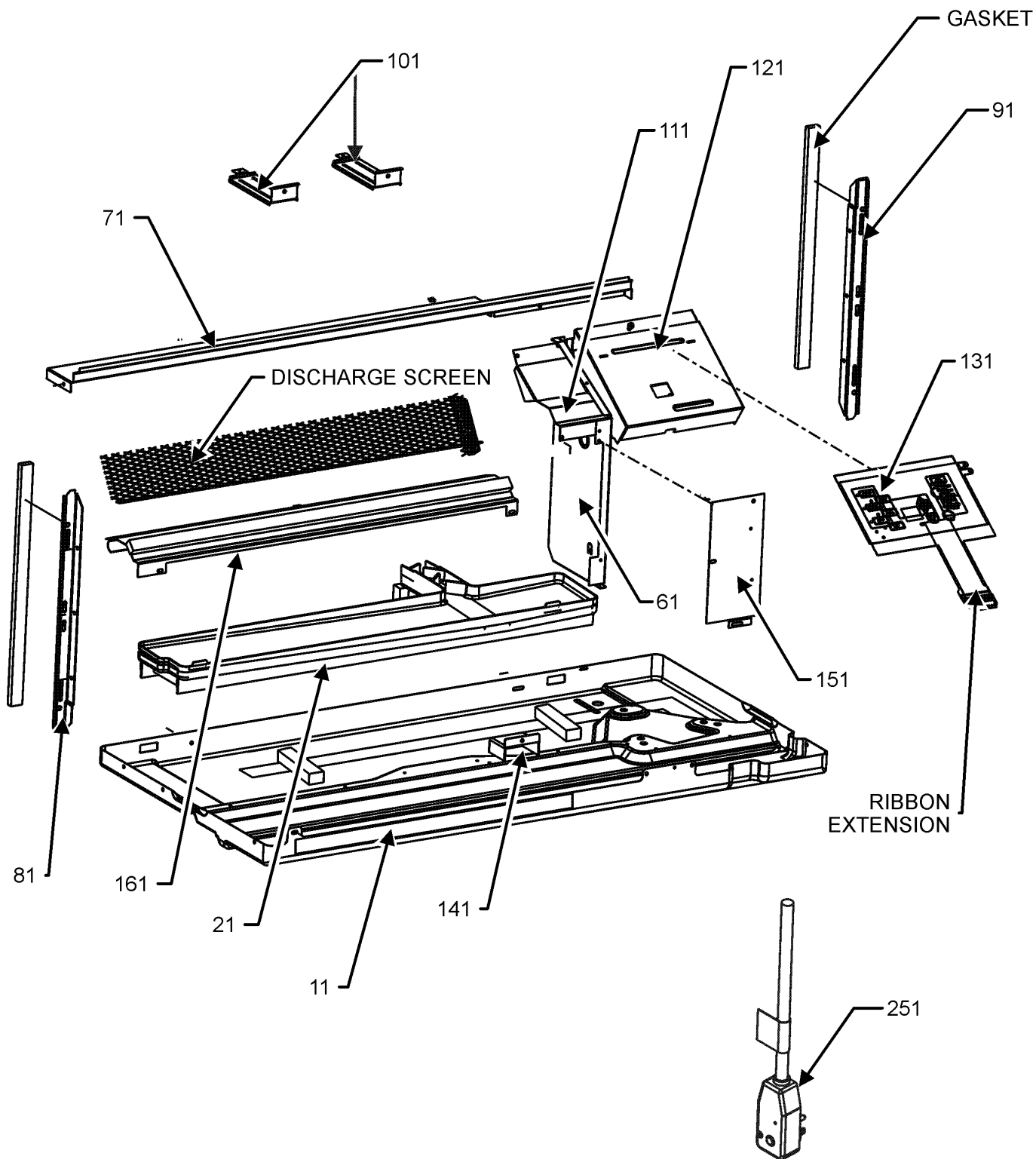
11	0161P00110	CONDENSER SHROUD
21	0131P00030	FAN MOTOR, OUTDOOR DC
31	0121P00093	PANEL-PARTITION (M5)
31	0121P00108NG	PANEL-PARTITION (M1, M2, M3, M4, M6, M7)
41	0161P00055	FAN, CONDENSER
51	C6300502	CAPACITOR STRAP
61	CAP020250450CS	CAP, 2/25 MFD/450V/DUAL RD
71	802007090	TERM BOARD
81	0130P00098	THERMISTOR OAT GREEN (M6)
91	11046302	LEVER ARM (M2, M3, M6)
101	0163P00019	CABLE (M2, M3, M6)
111	0121P00177NG	DOOR - PNT VENT PTC (M3)
121	0121P00079	BRACKET, VENT DOOR (M1, M4, M7)
131	0121P00072NG	BRACKET, VENT DOOR-C (M3)
141	11166401	EXTENSION SPRING (M1, M4, M7)
151	CAP020000440RP	CAPACITOR 2/440V
161	0163P00029	CAPACITOR CLAMP
181	11191703	PARTITION PANEL BRACKET (QTY 2)
191	0130P00137	MOTOR (M1, M4, M7)
201	11166201	POWER VENT COVER BRACKET (M1, M4, M7)
211	11166101	POWER VENT MOTOR BRACKET (M1, M4, M7)
251	0121P00091	PANEL-AUXILLIARY (M5)
301	PCBEP101	VARIABLE SPEED TERMINAL BOARD
NS	0130P00133	HUMIDITY SENSOR (M1, M4, M7)

**Expanded Model Nomenclature**

- |                      |
|----------------------|
| M1 - HEC093H35VXXXGA |
| M2 - HEC093H50AXXXGA |
| M3 - HEC093H50CXXXGA |
| M4 - HEC093H50DXXXGA |
| M5 - HEC093H50QXXXGA |
| M6 - HEC093H50RXXXGA |
| M7 - HEC093H50VXXXGA |

# Base Pan Assembly

## BASE PAN ASSEMBLY



# Base Pan Assembly

Ref. Part No:	No:	Description:	Ref. Part No:	No:	Description:
---------------	-----	--------------	---------------	-----	--------------

---

**Image 1:**

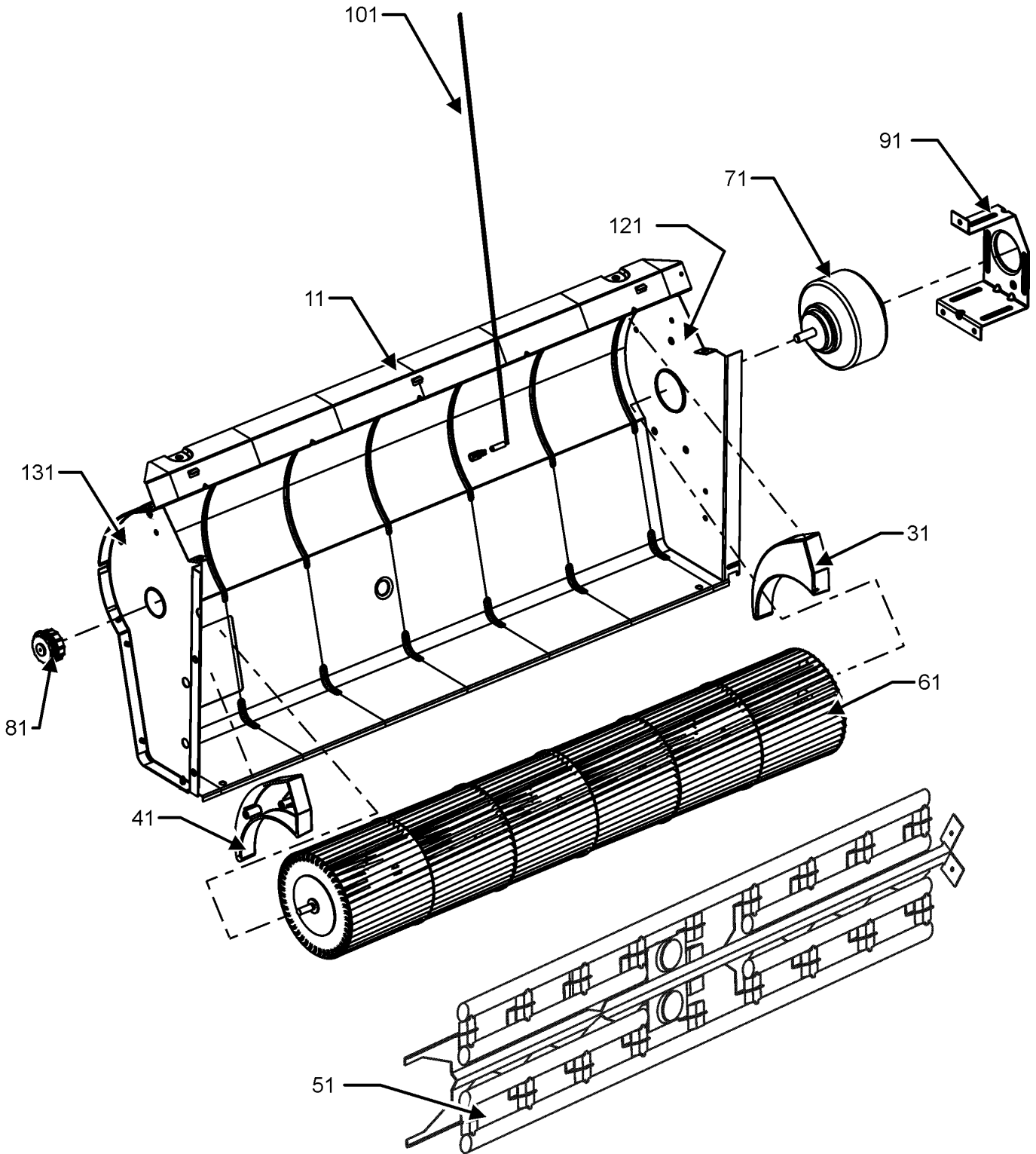
11	0121P00175DG	BASE PAN (M1, M2, M4, M5, M6, M7)
11	0121P00175NG	BASE PAN (M3)
21	0161P00044	PLASTIC-DRAIN PAN
61	0121P00278	PANEL-MID PTN PTC
71	0121P00063NG	TOP, PARTITION PANEL
81	0121P00197	SEAL-L SIDE PTC
91	0121P00198	SEAL-R SIDE PTC
101	0121P00071NG	BRACE, TIE (QTY 2)
111	0121P00070DG	COVER, MOTOR
121	0121P00280	COVER-CONTROL PANEL
131	RSKP0015	MEMBRANE KIT
141	0161P00016	PLASTIC-HOOD (M1, M2, M3, M4, M6, M7)
151	20410801	ACCESS COVER
161	0121P00061DG	CUTOFF-SCROLL DG
251	0130P00115	CORD,250VAC,20A (LCD) (M1)
251	0130P00118	CORD,250VAC,30A (LCD) (M2, M3, M4, M5, M6, M7)
NS	0130P00109	MEMBRANE (CONTROL)

**Expanded Model Nomenclature**

M1 - HEC093H35VXXXGA
M2 - HEC093H50AXXXGA
M3 - HEC093H50CXXXGA
M4 - HEC093H50DXXXGA
M5 - HEC093H50QXXXGA
M6 - HEC093H50RXXXGA
M7 - HEC093H50VXXXGA

# Indoor Blower Assembly

## INDOOR BLOWER ASSEMBLY



# Indoor Blower Assembly

Ref. Part No:	No:	Description:	Ref. Part No:	No:	Description:
---------------	-----	--------------	---------------	-----	--------------

---

**Image 1:**

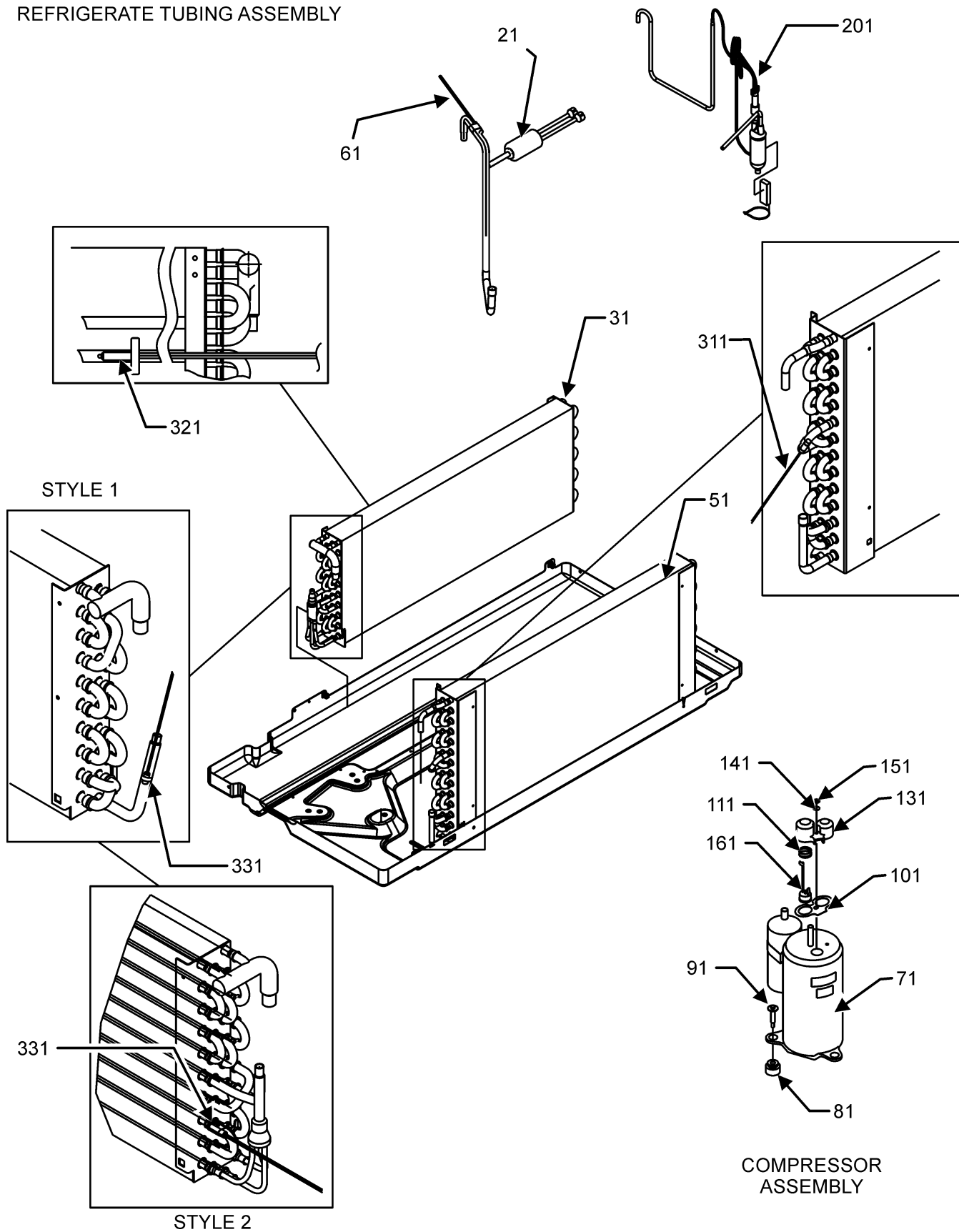
11	0121P00173DG	SCROLL
31	0161P00021	END CAP, RIGHT
41	0161P00022	END CAP, LEFT
51	0275P00038	HEATER ASSY (M1)
51	0275P00038	HEATER ASSY (M1)
51	0275P00039	HEATER ASSY (M2, M3, M4, M5, M6, M7)
61	0150P00005	WHEEL, BLOWER
71	0131P00035	FAN MOTOR, INDOOR (M1)
81	0163P00027	BEARING
91	0121P00048	BRACKET-MOTOR MOUNT
101	0130P00134	THERMISTOR IDT YELLOW
121	0121P00059DG	ENDPLATE-RH SCROLL
131	0121P00215DG	ENDPLATE- LH SCROLL

**Expanded Model Nomenclature**

- M1 - HEC093H35VXXXGA
- M2 - HEC093H50AXXXGA
- M3 - HEC093H50CXXXGA
- M4 - HEC093H50DXXXGA
- M5 - HEC093H50QXXXGA
- M6 - HEC093H50RXXXGA
- M7 - HEC093H50VXXXGA

# Refrigerate Tube Assembly

## REFRIGERATE TUBING ASSEMBLY



# Refrigerate Tube Assembly

Ref. Part No:	Ref. Part No:	Description:	Description:
---------------	---------------	--------------	--------------

**Image 1:**

21	0130M00169	SWITCH, HIGH PRESS
31	0202P00093	7MM EVAP ASSY 2 ROW
51	0201P00130	5MM CONDENSER COIL ASSY (M1, M2, M4, M5, M6, M7)
51	0202P00096NG	CONDENSER ASSY PAINTED (M3)
61	0130P00077	THERMISTOR IHD ORANGE (M6)
71	39B202AD&0JKZ	COMPRESSOR, RECHI
81	60130203	GROMMET - RECHI COMPRESSOR (QTY 3)
91	0163M00079	SCREW, SHOULDER (QTY 3)
101	60100103	TERMINAL GASKET
111	60343638	OVERLOAD PROTECTOR-RECHI
131	60100314	TERMINAL COVER - RECHI COMP
141	60100201	WASHER - RECHI COMPRESSOR
151	60100401	TERMINAL NUT - RECHI COMP
161	60500101	OLP SPRING - RECHI COMPRESSOR
201	0210P00433	CAPILLARY WELDMENT
311	0130P00094	THERMISTOR OCT BLUE (M6)
321	0130P00141	THERMISTOR IAT BLACK (M3)
321	0130P00164	THERMISTOR IAT BLACK (M1, M2, M4, M5, M6, M7)
331	0130P00084	THERMISTOR ICT RED (M3)
331	0130P00165	THERMISTOR ICT RED (M1, M2, M4, M5, M6, M7)

**Expanded Model Nomenclature**

- |                      |
|----------------------|
| M1 - HEC093H35VXXXGA |
| M2 - HEC093H50AXXXGA |
| M3 - HEC093H50CXXXGA |
| M4 - HEC093H50DXXXGA |
| M5 - HEC093H50QXXXGA |
| M6 - HEC093H50RXXXGA |
| M7 - HEC093H50VXXXGA |