

HEC093H Package Terminal Air Conditioner

HEC093H25BXXXBA

HEC093H35BXXXBA



Amana® is a registered trademark of Maytag Corporation or its related companies and is used under license. All rights reserved.

This manual is to be used by qualified technicians only.

© 2017 Goodman Company, L.P. ♦ 5151 San Felipe St, Suite 500 ♦ Houston, TX 77056

Important Information

Index

Functional Parts List	3
Illustration and Parts	4 - 13

Views shown are for parts illustrations only, not servicing procedures

Text Codes:

AR - As Required

NA - Not Available

NS - Not Shown

00000000 - See Note

QTY - Quantity Example (QTY 3) (If Quantity not shown, Quantity = 1)

M - Model Example (M1) (If M Code not shown, then part is used on all Models)

Expanded Model Nomenclature:

Example M1 - Model#1 M2 - Model#2 M3 - Model#3

Goodman Company, L.P. is not responsible for personal injury or property damage resulting from improper service. Review all service information before beginning repairs.

Warranty service must be performed by an authorized technician, using authorized factory parts. If service is required after the warranty expires, Goodman Company, L.P. also recommends contacting an authorized technician and using authorized factory parts.

Goodman Company, L.P. reserves the right to discontinue, or change at any time, specifications or designs without notice or without incurring obligations.

For assistance within the U.S.A. contact:

Homeowner Support
Goodman Company, L.P.
19001 Kermier Road
Waller, Texas 77484
877-254-4729-Telephone
713-863-2382-Facsimile

For assistance outside the U.S.A. contact:

International Division
Goodman Company, L.P.
19001 Kermier Road
Waller, Texas 77484
713-861-2500-Telephone
713-863-2382-Facsimile

Functional Parts

Part

No: Description:

CAP020250450CS	CAPACITOR 2/25/450V/DUAL RD
CAP020000440RP	CAPACITOR 2/440V
39B202AD&0JKZ	COMPRESSOR, RECHI
RSKP0012	CONTROL BOARD M70
RSKP0015	CONTROL PANEL COVER AND MEMBRANE
0130P00112	CORD,250VAC,15A (LCD) (M1)
0130P00115	CORD,250VAC,20A (LCD) (M2)
0131P00035	FAN MOTOR, INDOOR
0131P00030	FAN MOTOR, OUTDOOR DC
0161P00055	FAN, CONDENSER
0275P00019	HEATER ASSY (M1)
0275P00038	HEATER ASSY (M2)
60343638	OVERLOAD PROTECTOR-RECHI
0130M00169	SWITCH, HIGH PRESS
802007090	TERMINAL BOARD
0130P00073	THERMISTOR
0130P00134	THERMISTOR - DISCHARGE
0130P00084	THERMISTOR - INDOOR COIL
0130M00329	TRANSFORMER 20VA 60HZ
PCBEP101	VARIABLE SPEED TERMINAL BOARD

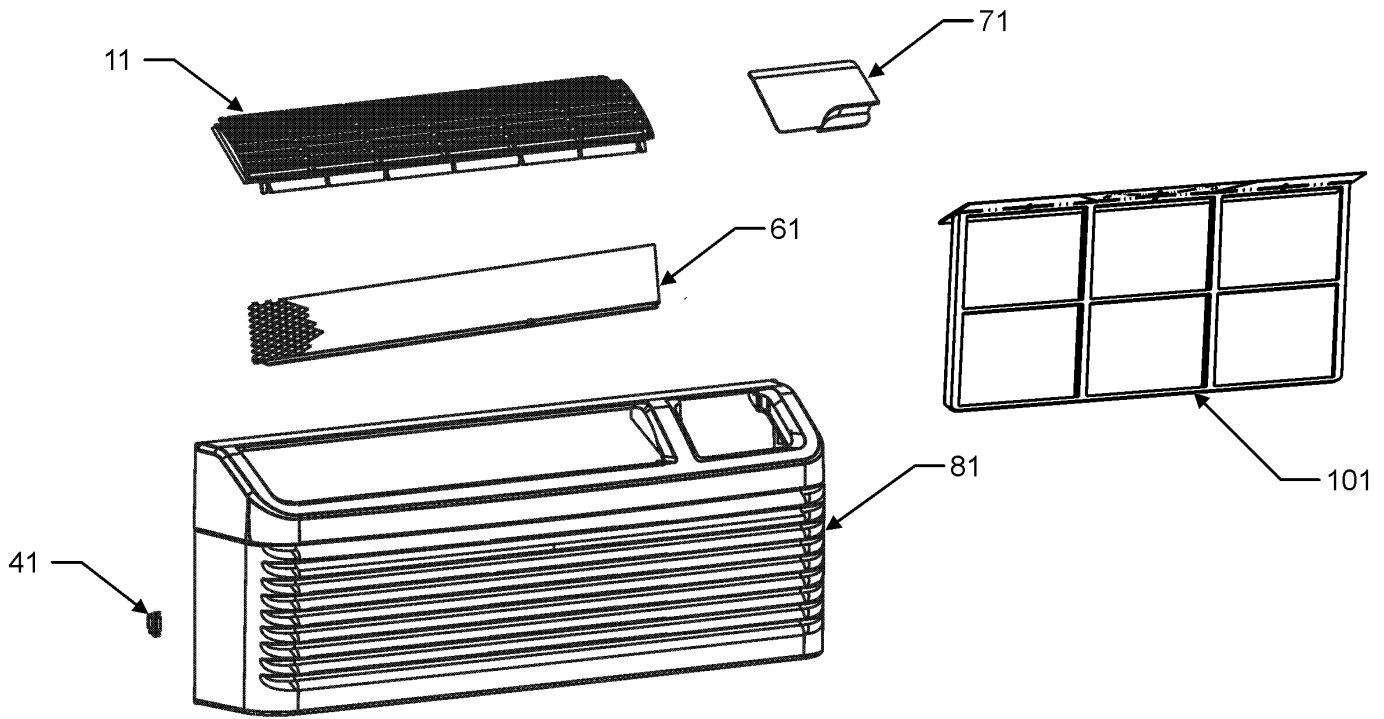
Expanded Model Nomenclature

M1 - HEC093H25BXXXBA

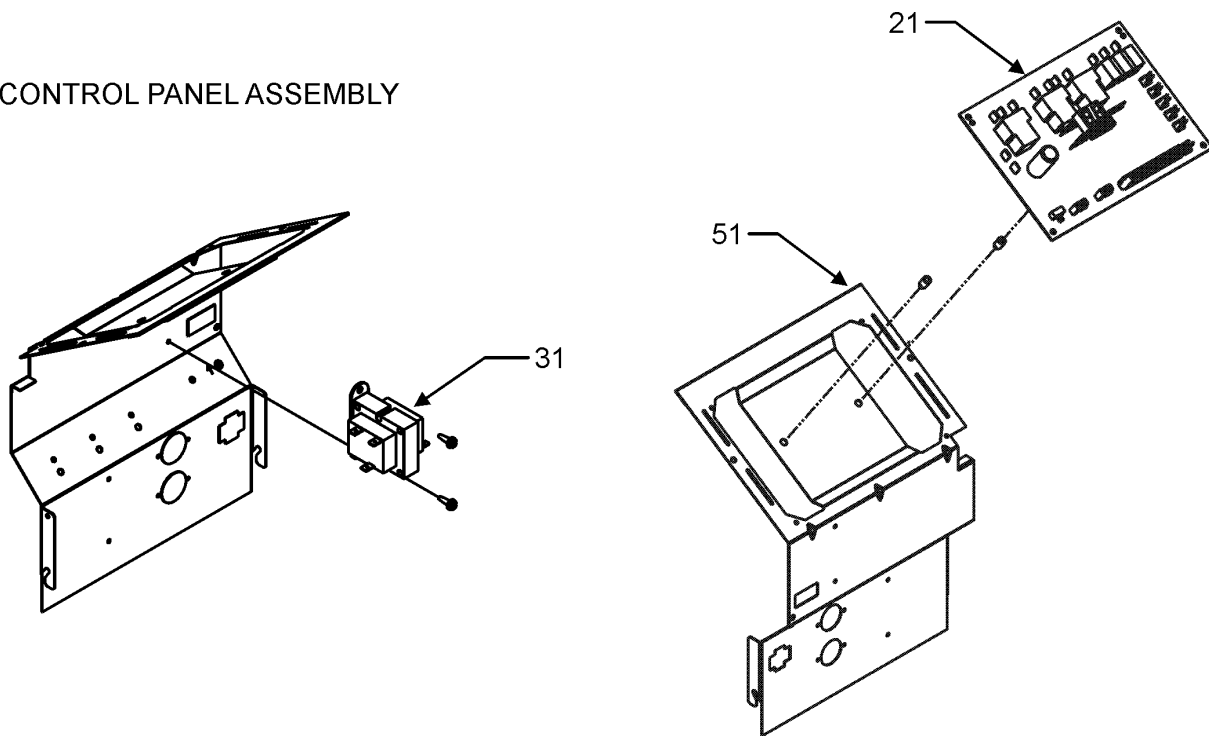
M2 - HEC093H35BXXXBA

Front Panel and Control Panel Assembly

FRONT PANEL ASSEMBLY



CONTROL PANEL ASSEMBLY



Front Panel and Control Panel Assembly

Ref. Part No: No:	Description:	Ref. Part No: No:	Description:
-------------------	--------------	-------------------	--------------

Image 1:

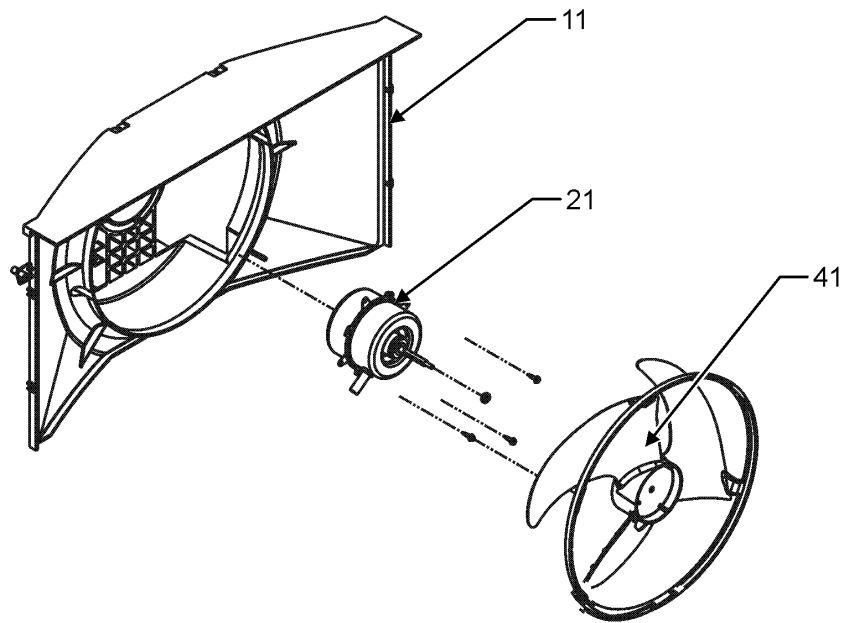
11	0161P00048	FRONT, LOUVERS DISCHARGE
21	RSKP0012	CONTROL BOARD M70
31	0130M00329	TRANSFORMER 20VA 60HZ
41	0163P00025	CLIP (QTY 2)
51	0121P00130	PANEL, CONTROL
61	0121P00073	SCREEN, DISCHARGE
71	0261P00003	DOOR ASSY -AMANA-
81	0261P00011	FRONT ASSY
101	0161P00035	FILTER, RACK (QTY 2)

Expanded Model Nomenclature

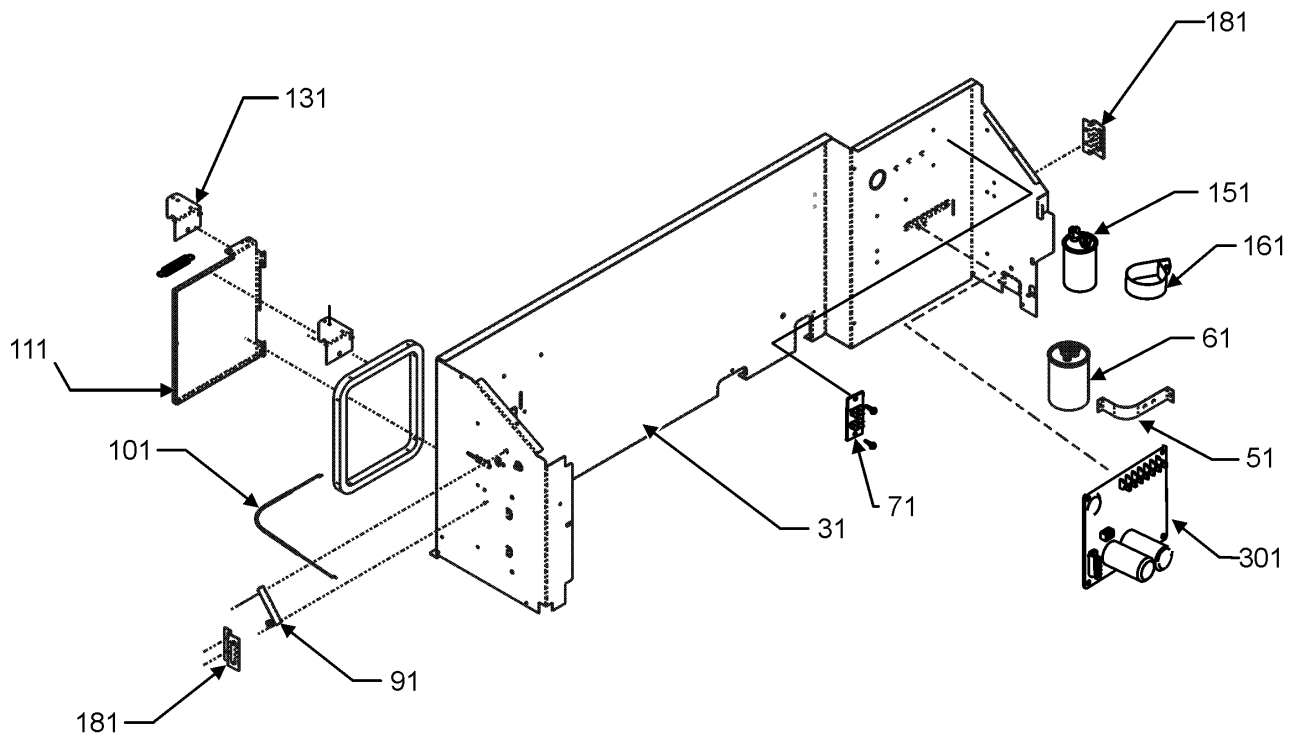
M1 - HEC093H25BXXXBA
M2 - HEC093H35BXXXBA

Outdoor Air System and Partition Panel

OUTDOOR AIR SYSTEM



PARTITION PANEL ASSEMBLY



Outdoor Air System and Partition Panel

Ref. Part No:	No:	Description:	Ref. Part No:	No:	Description:
---------------	-----	--------------	---------------	-----	--------------

Image 1:

11	0161P00053	SHROUD, CONDENSER
21	0131P00030	FAN MOTOR, OUTDOOR DC
31	0121P00108	PANEL-PARTITION
41	0161P00055	FAN, CONDENSER
51	C6300502	CAPACITOR STRAP
61	CAP020250450CS	CAPACITOR 2/25/450V/DUAL RD
71	802007090	TERMINAL BOARD
91	11046302	LEVER ARM
101	0163P00019	CABLE
111	0121P00177	DOOR-PNT VENT PTC
121	0121P00072	BRACKET, VENT DOOR-C
151	CAP020000440RP	CAPACITOR 2/440V
161	0163P00029	CAPACITOR CLAMP
181	11191703	PARTITION PANEL BRACKET (QTY 2)
301	PCBEP101	VARIABLE SPEED TERMINAL BOARD

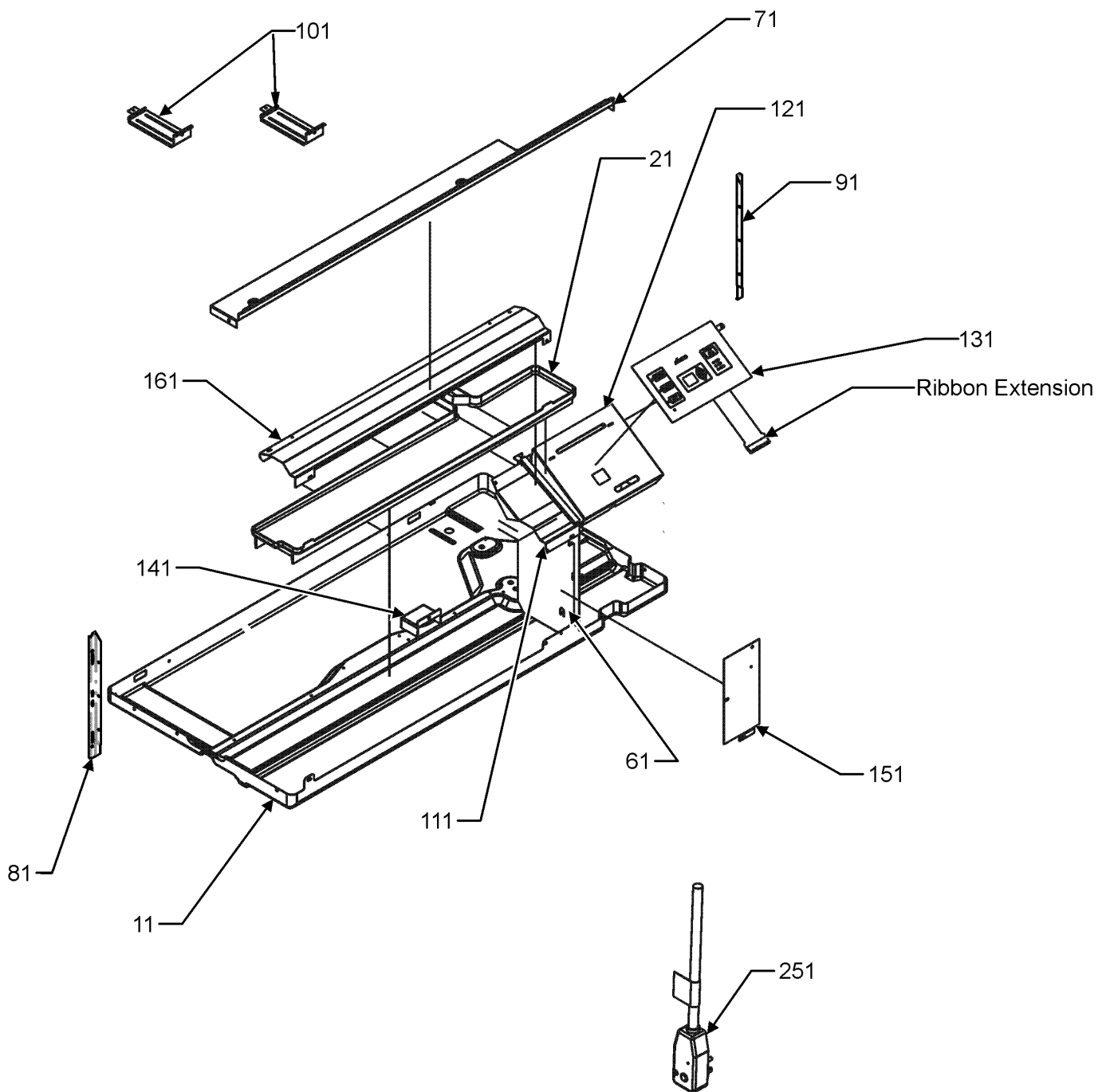
Expanded Model Nomenclature

M1 - HEC093H25BXXXBA

M2 - HEC093H35BXXXBA

Universal Part Assembly

UNIVERSAL PART ASSEMBLY



Universal Part Assembly

**Ref. Part
No: No:**

Description:

**Ref. Part
No: No:**

Description:

Image 1:

11	0121P00175DG	BASE PAN
21	0161P00044	PLASTIC-DRAIN PAN
61	20403301	MID PARTITION PANEL
71	0121P00063	TOP, PARTITION PANEL
81	0121P00197	SEAL-L SIDE PTC
91	0121P00198	SEAL-R SIDE PTC
101	0121P00071	BRACE, TIE (QTY 2)
111	0121P00070DG	COVER, MOTOR
121	0121P00129	COVER-CONTROL PANEL
131	RSKP0015	CONTROL PANEL COVER AND MEMBRANE
141	0161P00016	PLASTIC-HOOD
151	20410801	ACCESS COVER
161	0121P00061DG	CUTOFF-SCROLL DG
251	0130P00112	CORD,250VAC,15A (LCD) (M1)
251	0130P00115	CORD,250VAC,20A (LCD) (M2)
NS	0130P00109	MEMBRANE (CONTROL)

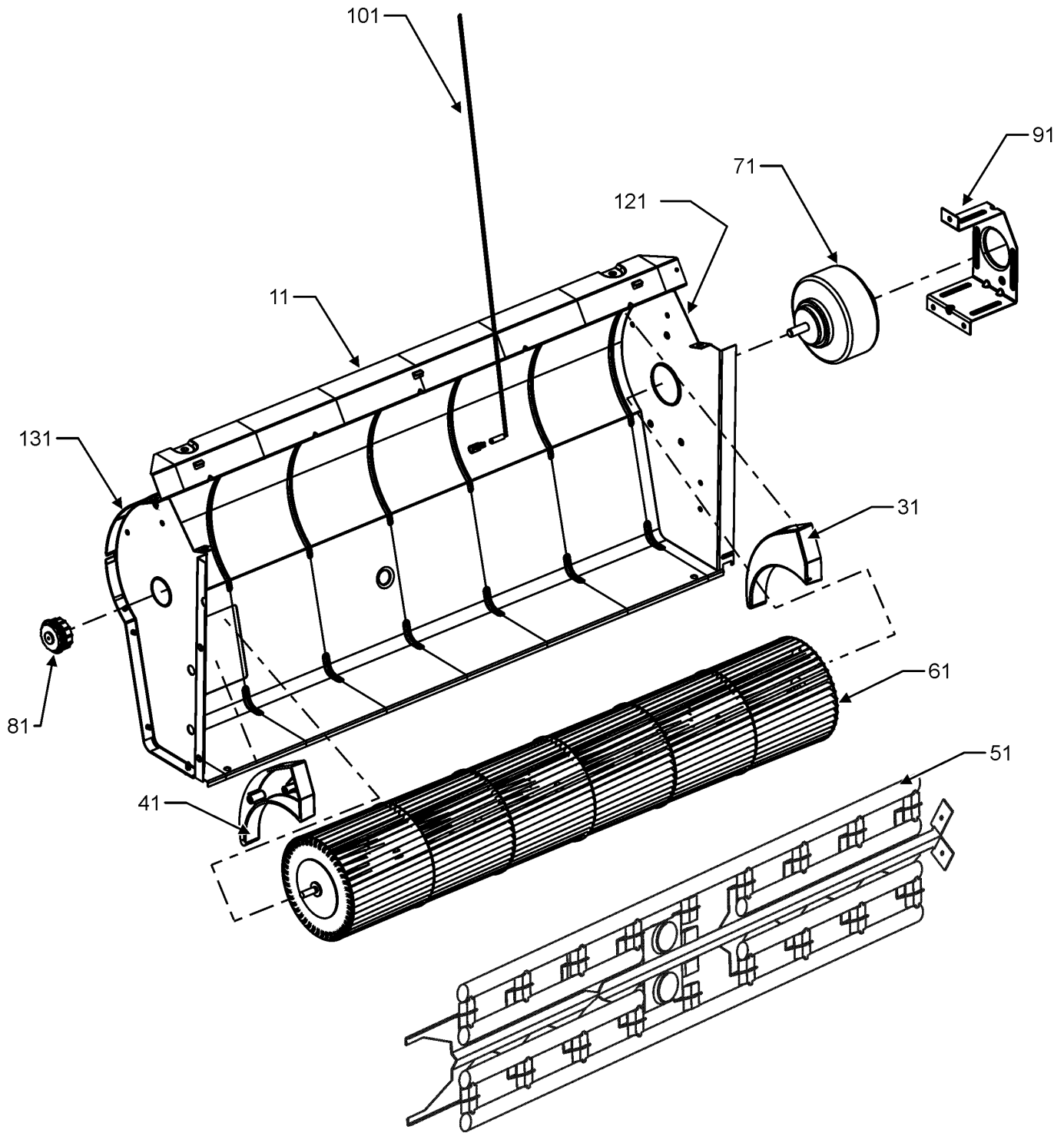
Expanded Model Nomenclature

M1 - HEC093H25BXXXBA

M2 - HEC093H35BXXXBA

Indoor Blower Assembly

INDOOR BLOWER ASSEMBLY



Indoor Blower Assembly

Ref. Part No:	No:	Description:	Ref. Part No:	No:	Description:
---------------	-----	--------------	---------------	-----	--------------

Image 1:

11	0121P00173DG	SCROLL
31	0161P00021	END CAP, RIGHT
41	0161P00022	END CAP, LEFT
51	0275P00019	HEATER ASSY (M1)
51	0275P00038	HEATER ASSY (M2)
61	0150P00004	WHEEL, BLOWER
71	0131P00035	FAN MOTOR, INDOOR
81	0163P00027	BEARING
91	0121P00048	BRACKET-MOTOR MOUNT
101	0130P00134	THERMISTOR - DISCHARGE
121	0121P00059DG	ENDPLATE-RH SCROLL
131	0121P00215DG	ENDPLATE- LH SCROLL

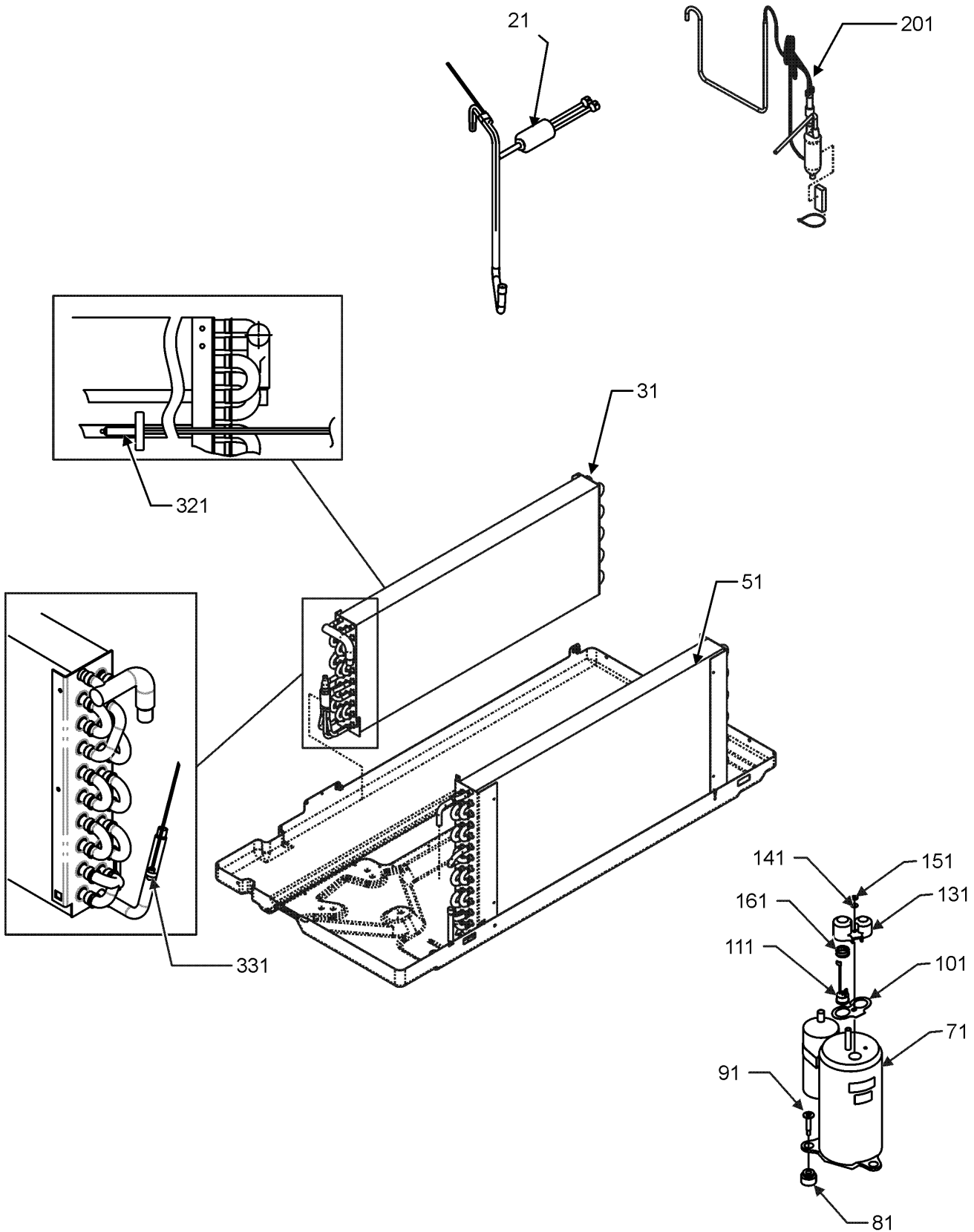
Expanded Model Nomenclature

M1 - HEC093H25BXXXBA

M2 - HEC093H35BXXXBA

Refrigerate Tubing Assembly

REFRIGERATE TUBING ASSEMBLY



Refrigerate Tubing Assembly

Ref. Part
No: No:

Description:

Ref. Part
No: No:

Description:

Image 1:

21	0130M00169	SWITCH, HIGH PRESS
31	0202P00067	EVAP ASSY, 3/8, 2 ROW
51	0201P00094	5 MM CONDENSER COIL ASSY
71	39B202AD&0JKZ	COMPRESSOR, RECHI
81	60130203	GROMMET - RECHI COMPRESSOR (QTY 3)
91	0163M00079	SHOULDER SCREW (QTY 3)
101	60100103	TERMINAL GASKET
111	60343638	OVERLOAD PROTECTOR-RECHI
131	60100314	TERMINAL COVER - RECHI COMP
141	60100201	WASHER - RECHI COMPRESSOR
151	60100401	TERMINAL NUT - RECHI COMP
161	60500101	OLP SPRING - RECHI COMPRESSOR
201	0210P00391	CAPILLARY WELDMENT
321	0130P00073	THERMISTOR
331	0130P00084	THERMISTOR - INDOOR COIL

Expanded Model Nomenclature

M1 - HEC093H25BXXXBA

M2 - HEC093H35BXXXBA