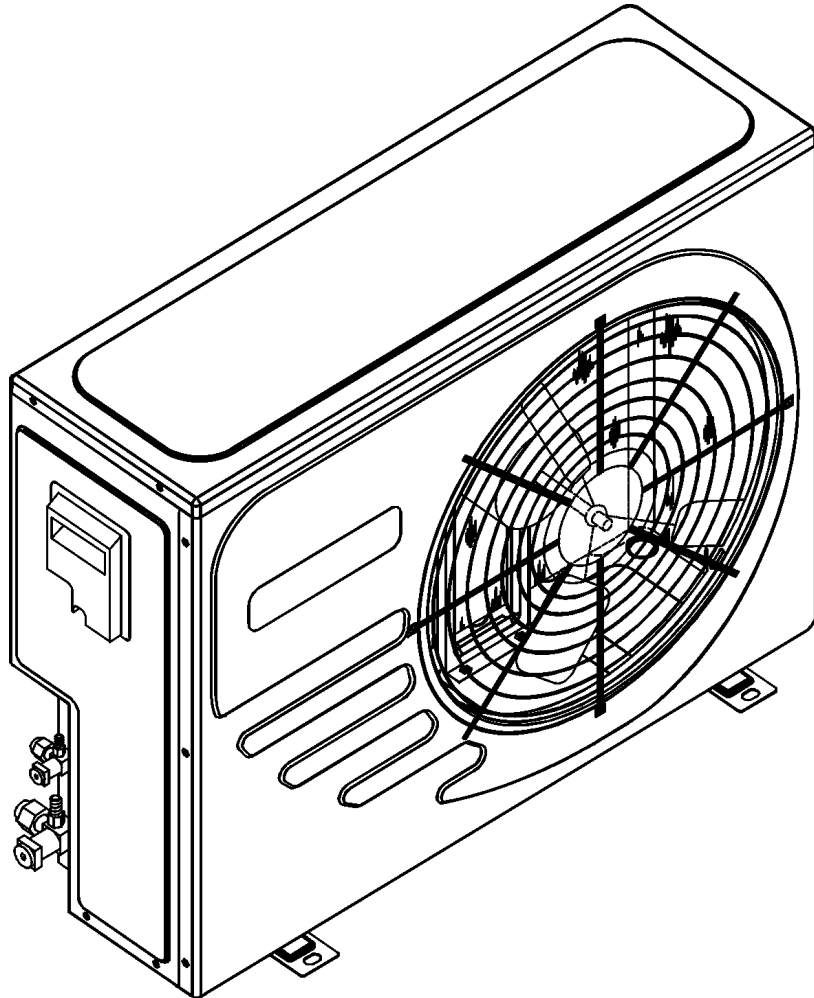


HDPF SERIES Horizontal Discharge Heat Pumps

HDPF09-2
HDPF12-2
HDPF12-2A
HDPF18-2
HDPF18-2A
HDPF24-2



This manual is to be used by qualified technicians only.

This manual replaces RP-202D.

© 2001-2008 Goodman Manufacturing Company, L.P. ♦ 5151 San Felipe, Suite 500 ♦ Houston, TX 77056

Important Information

Index

Functional Parts List	3
Illustration and Parts	4 - 5

Views shown are for parts illustrations only, not servicing procedures.

Rev. E: Added missing models HDPF12-2 and HPDF18-2A.

Text Codes:

AR - As Required

NA - Not Available

NS - Not Shown

00000000 - See Note

QTY - Quantity Example (QTY 3) (If Quantity not shown, Quantity = 1)

M - Model Example (M1) (If M Code not shown, then part is used on all Models)

Expanded Model Nomenclature:

Example M1 - Model#1 M2 - Model#2 M3 - Model#3

Goodman Manufacturing Company, L.P. is not responsible for personal injury or property damage resulting from improper service. Review all service information before beginning repairs.

Warranty service must be performed by an authorized technician, using authorized factory parts. If service is required after the warranty expires, Goodman Manufacturing Company, L.P. also recommends contacting an authorized technician and using authorized factory parts.

Goodman Manufacturing Company, L.P. reserves the right to discontinue, or change at any time, specifications or designs without notice or without incurring obligations.

For assistance within the U.S.A. contact:
Consumer Affairs Department
Goodman Manufacturing Company, L.P.
7401 Security Way
Houston, Texas 77040
877-254-4729-Telephone
713-863-2382-Facsimile

For assistance outside the U.S.A. contact:
International Division
Goodman Manufacturing Company, L.P.
7401 Security Way
Houston, Texas 77040
713-861-2500-Telephone
713-863-2382-Facsimile

Functional Parts

Part

No: Description:

B9266745	50 HZ COMPRESSOR 2K32C235SA (M4)
B9266740	50 HZ COMPRESSOR 2KS224D5DA02 (M3)
B9266741	50 HZ COMPRESSOR 2PS164D2BA02 (M1)
CAP050200370RSS	CAPACITOR 5/20/370V (M2)
CAP050300370RSS	CAPACITOR 5/30/370V (M1, M3, M4)
CAP050400440RTS	CAPACITOR 5/40/440V (M5)
CAP050450370RSS	CAPACITOR 5/45/370V (M6)
B9266517S	COMPRESSOR H24B15QABHB (702413-1501-00) (M2)
B9266518S	COMPRESSOR H24B22QABHB (702402-1501-00) (M5)
B9266519S	COMPRESSOR H24B31QABKB (702393-1501-00) (M6)
B13400702S	COND MOTOR 1/12 HP, 220/240V
CONT1P025240VS	CONTACTOR 25 AMP, 1P, 240V (M2)

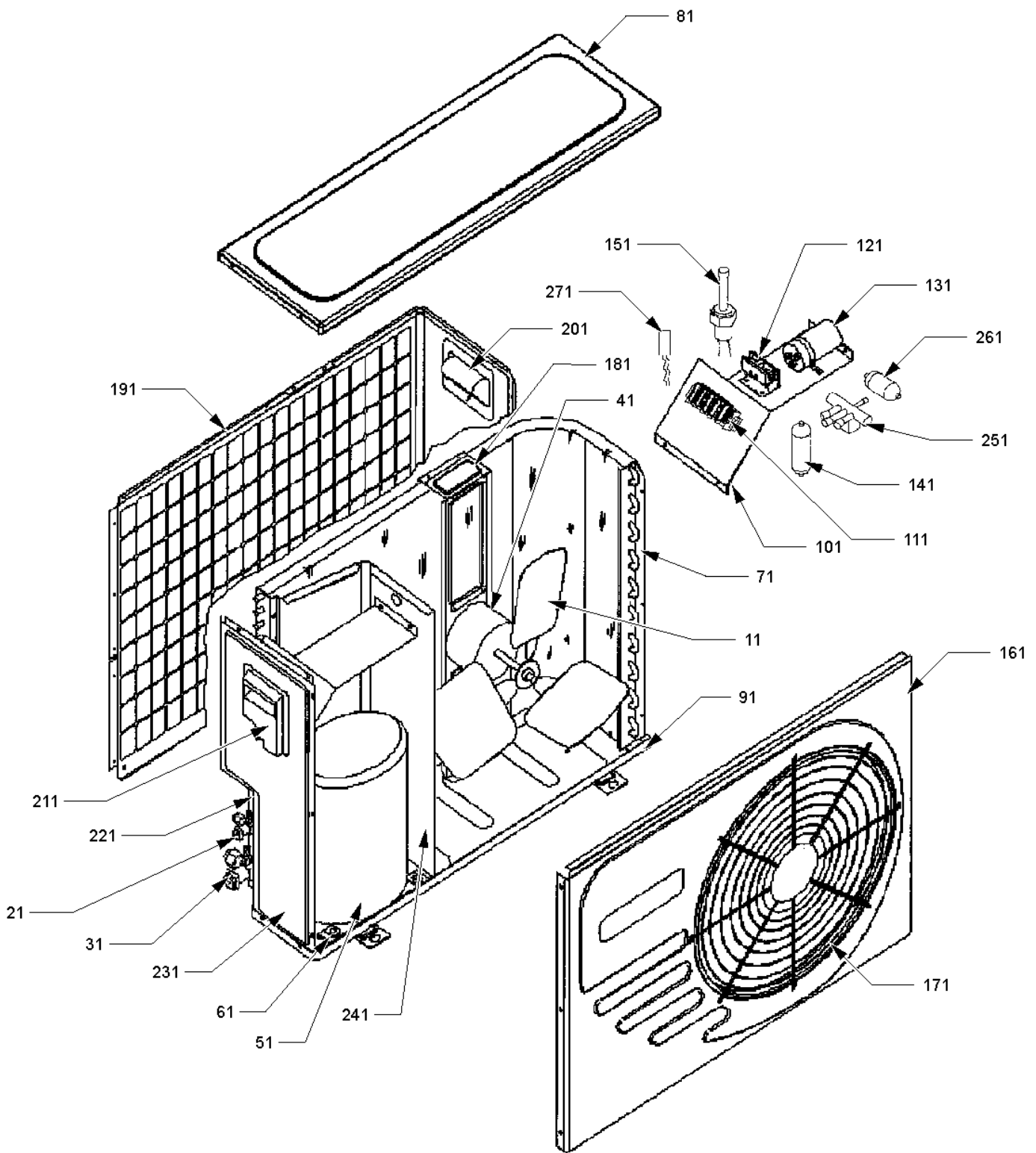
SPECIAL PARTS

IO-155	INSTALLATION INSTRUCTIONS (M2)
IO-211	INSTALLATION INSTRUCTIONS (M1, M3, M4, M5, M6)
RP-202D	REPAIR PARTS MANUAL

Expanded Model Nomenclature

M1 - HDPF09-2
M2 - HDPF12-2
M3 - HDPF12-2A
M4 - HDPF18-2
M5 - HDPF18-2A
M6 - HDPF24-2

Replacement Parts List



Replacement Parts List

Ref. Part No:	No:	Description:	Ref. Part No:	No:	Description:						
<i>Image 1:</i>			211	B3175003	PLASTIC HANDLE - LEFT						
11	B1086763	FAN BLADE 16" (M1, M3)	221	3150700P	VALVE BRACKET						
11	B1086759	FAN BLADE 18" (M2, M4, M5, M6)	231	3150100P	COMPRESSOR END PANEL (M1, M3)						
21	B1282570	3/8" SERVICE VALVE (.037 PISTON) (M1)	231	3150101P	COMPRESSOR END PANEL (M2, M4, M5, M6)						
21	B1282568	3/8" SERVICE VALVE (.043 PISTON) (M3)	241	3150401	PARTITION PANEL LRG (M2, M4, M5, M6)						
21	B1282555	3/8" SERVICE VALVE (.045 PISTON) (M2)	241	3150400P	PARTITION PANEL SML (M1, M3)						
21	B1282557	3/8" SERVICE VALVE (.052 PISTON) (M4, M5)	251	B1227301S	REVERSING VALVE						
21	B1282558	3/8" SERVICE VALVE (.055 PISTON) (M6)	261	B1219300	MUFFLER 3/8 X 3/8 (M2, M4, M5, M6)						
31	B1282556	5/8" SERVICE VALVE	271	B1370809	THERMISTOR SENSOR						
41	B13400702S	COND MOTOR 1/12 HP, 220/240V	NS	1284835	CAPACITOR STRAP						
51	B9266745	50 HZ COMPRESSOR 2K32C235SA (M4)	NS	IO-155	INSTALLATION INSTRUCTIONS (M2)						
51	B9266740	50 HZ COMPRESSOR 2KS224D5DA02 (M3)	NS	IO-211	INSTALLATION INSTRUCTIONS (M1, M3, M4, M5, M6)						
51	B9266741	50 HZ COMPRESSOR 2PS164D2BA02 (M1)	NS	RP-202D	REPAIR PARTS MANUAL						
51	B9266517S	COMPRESSOR H24B15QABHB (702413-1501-00) (M2)	NS	M0221641	TF SHOULDER SCREW (QTY 4)						
51	B9266518S	COMPRESSOR H24B22QABHB (702402-1501-00) (M5)	NS	B1787000	VALVE CORE						
51	B9266519S	COMPRESSOR H24B31QABKB (702393-1501-00) (M6)	Expanded Model Nomenclature								
61	B1339530	COMPRESSOR GROMMET (M2, M5, M6)	<table border="1"> <tr><td>M1 - HDPF09-2</td></tr> <tr><td>M2 - HDPF12-2</td></tr> <tr><td>M3 - HDPF12-2A</td></tr> <tr><td>M4 - HDPF18-2</td></tr> <tr><td>M5 - HDPF18-2A</td></tr> <tr><td>M6 - HDPF24-2</td></tr> </table>			M1 - HDPF09-2	M2 - HDPF12-2	M3 - HDPF12-2A	M4 - HDPF18-2	M5 - HDPF18-2A	M6 - HDPF24-2
M1 - HDPF09-2											
M2 - HDPF12-2											
M3 - HDPF12-2A											
M4 - HDPF18-2											
M5 - HDPF18-2A											
M6 - HDPF24-2											
61	B1339540	COMPRESSOR GROMMET (M1, M3, M4)									
71	1262311	TUBING ASSY, COND COIL (M2, M4, M5, M6)									
71	3164908	TUBING ASSY, COND COIL (M1, M3)									
81	3150500P	TOP PANEL									
91	3151200P	BASEPAN									
101	3151100	CONTROL PANEL									
111	B1368263	TERMINAL BLOCK (M2)									
111	B1368272	TERMINAL BLOCK, 4 POLES (M1, M3, M4, M5, M6)									
121	CONT1P025240VS	CONTACTOR 25 AMP, 1P, 240V (M2)									
131	CAP050200370RSS	CAPACITOR 5/20/370V (M2)									
131	CAP050300370RSS	CAPACITOR 5/30/370V (M1, M3, M4)									
131	CAP050400440RTS	CAPACITOR 5/40/440V (M5)									
131	CAP050450370RSS	CAPACITOR 5/45/370V (M6)									
141	B1219203	FILTER DRIER									
151	B1314232	FLOWRATOR .032 (M1)									
151	B1314241	FLOWRATOR .041 (M2, M3)									
151	B1314252	FLOWRATOR .052 (M4, M5)									
151	B1314273	FLOWRATOR .073 (M6)									
161	3150301P	FRONT PANEL LRG (M2, M4, M5, M6)									
161	3150300P	FRONT PANEL SML (M1, M3)									
171	B1376910	FAN GRILLE GUARD 16" (M1, M3)									
171	B1376915	FAN GRILLE GUARD 18" (M2, M4, M5, M6)									
181	3150801P	FAN MOTOR BRACKET LRG (M2, M4, M5, M6)									
181	3150800	FAN MOTOR BRACKET SML (M1, M3)									
191	3150200P	BACK GRILLE 20" (M1, M3)									
191	3150201P	BACK GRILLE 25" (M2, M4, M5, M6)									
201	B3175002	PLASTIC HANDLE - RIGHT									

