

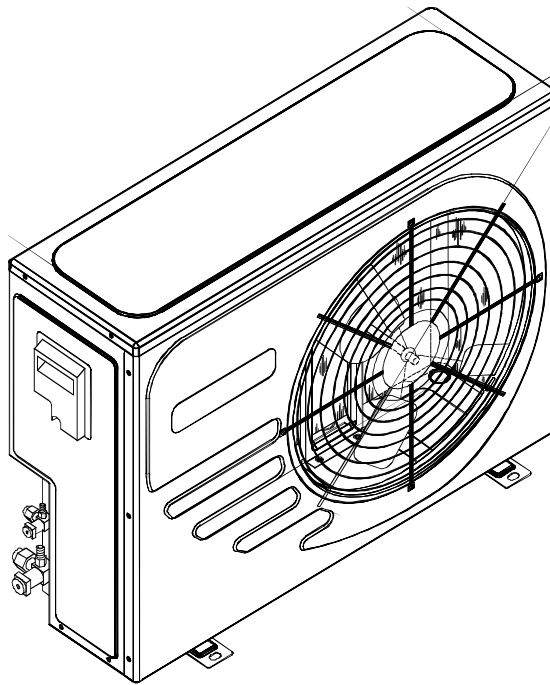


# REPAIR PARTS

---

## HDP\*B Horizontal Discharge Heat Pumps, Gray Color Models

HDP12-1B  
HDP18-1B  
HDP24-1B



Made in the USA by:  
Goodman Manufacturing Company, L.P.  
2550 North Loop West, Suite 400  
Houston Texas 77092

RP - 328  
September 2004

## Important Information

---

Goodman Manufacturing Company, L.P. is not responsible for personal injury or property damage resulting from improper service. Review all service information before beginning repairs.

Warranty service must be performed by an authorized technician, using authorized factory parts. If service is required after the warranty expires, Goodman Manufacturing Company, L.P. also recommends contacting an authorized technician and using authorized factory parts.

For assistance within the U.S.A. contact:

Consumer Affairs Department  
Goodman Manufacturing Company, L.P.  
7401 Security Way  
Houston, Texas 77040  
877-254-4729-Telephone  
713-863-2382-Facsimile

For assistance outside the U.S.A. contact:

International Division  
Goodman Manufacturing Company, L.P.  
7401 Security Way  
Houston, Texas 77040  
713-861-2500-Telephone  
713-863-2382-Facsimile

# Index

Functional Parts List .....	5
Illustration and Parts .....	6 - 7

*Views shown are for parts illustrations only, not servicing procedures.*

### Text Codes:

AR - As Required

NA - Not Available

NS - Not Shown

00000000 - See Note

QTY - Quantity Example (QTY 3) (If Quantity not shown, Quantity = 1)

M - Model Example (M1) (If M Code not shown, then part is used on all Models)

### Expanded Model Nomenclature:

Example M1 - Model#1 M2 - Model#2 M3 - Model#3
---

**THIS PAGE INTENTIONALLY LEFT BLANK**

# Functional Parts

## Part

## No: Description:

---

B94576000	CAPACITOR, DUAL-SECTION, 25/5/370 (M1)
B94578700	CAPACITOR, DUAL-SECTION, 30/5/370 (M2)
B94575300	CAPACITOR, DUAL-SECTION, 35/5/370 (M3)
B9266819	COMPRESSOR, 208/230-60-1, BRISTOL H29B20UABCB (M2)
B9266643BS	COMPRESSOR, 208/230-60-1, BRISTOL H29B24UABCB (M3)
B9266724S	COMPRESSOR, 208/230-60-1, TECUMSEH #RK5513E (M1)
1262312	CRATED COND. SERVICE COIL W/DRIER
B1086759	FAN, CONDENSER, 3 BLADE, 22° PITCH, 18" DIA.
B1314471	FLOWRATOR W/COPPER STUB ASSEMBLY (M3)
B1314468	FLOWRATOR W/COPPER STUB ASSEMBLY (M2)
B1314452	FLOWRATOR W/COPPER STUB ASSEMBLY (M1)
B13400701	MOTOR, 208/230-60-1, 1 SPD, 900 RPM, 1/15 HP
B1219300	MUFFLER (M2, M3)
B1370809	THERMISTOR SENSOR PLASTIC

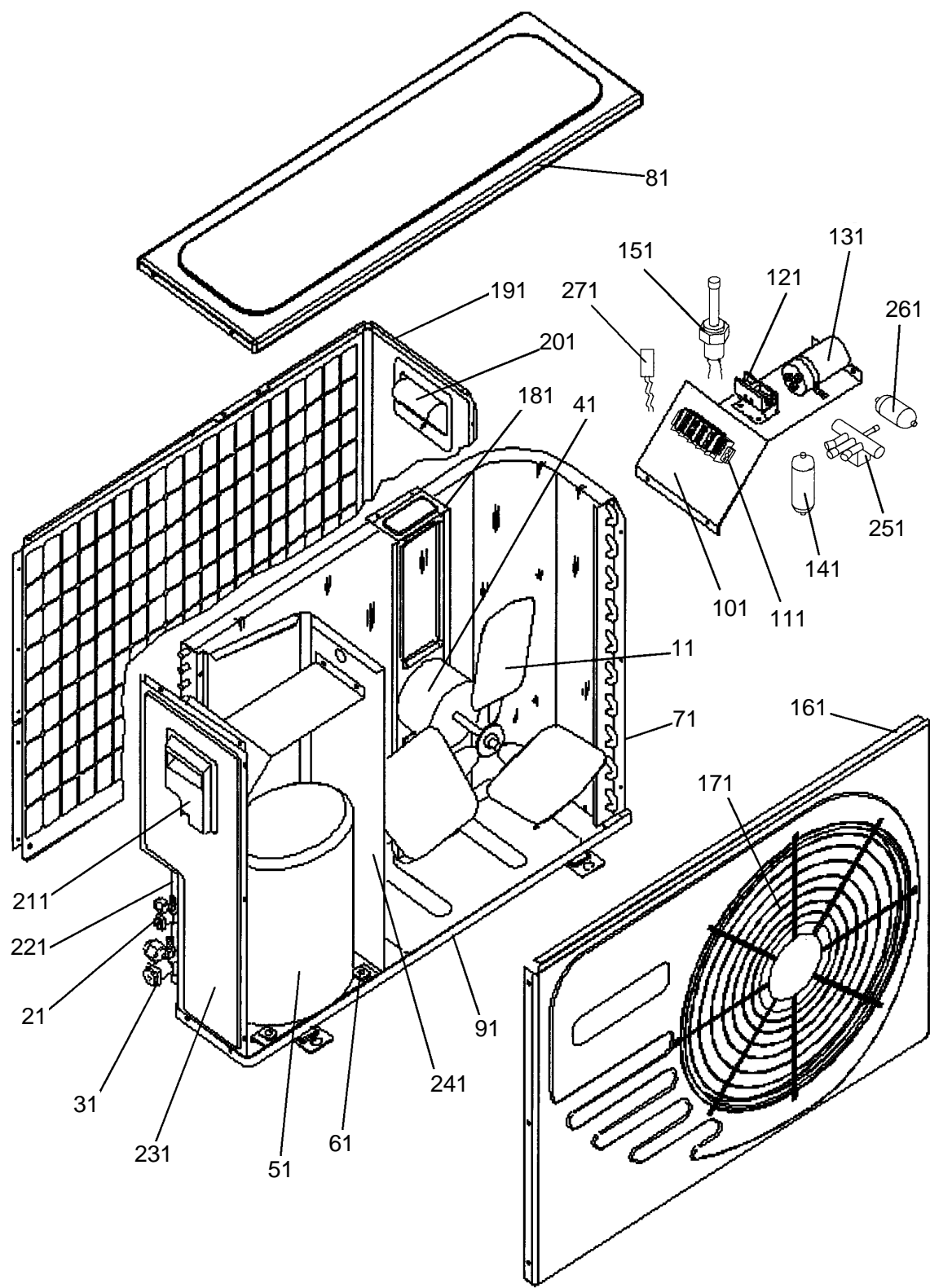
### SPECIAL PARTS

IO-155	INSTALLATION AND OPERATION MANUAL
B260S8292	PAINT, SPRAY, DARY GRAY
RP-328	REPAIR PART MANUAL
SS-349	SPECIFICATION SHEET

### Expanded Model Nomenclature

M1 - HDP12-1B
M2 - HDP18-1B
M3 - HDP24-1B

# HDP Chassis



# HDP Chassis

Ref. Part No: No:	Description:	Ref. Part No: No:	Description:
-------------------	--------------	-------------------	--------------

*Image 1:*

11	B1086759	FAN, CONDENSER, 3 BLADE, 22° PITCH, 18" DIA.
21	B1282555	VALVE, BASE, LIQUID LINE, 3/8", PISTON .045 (M1)
21	B1282558	VALVE, BASE, LIQUID LINE, 3/8", PISTON .055 (M2)
21	B1282562	VALVE, BASE, LIQUID LINE, 3/8", PISTON .059 (M3)
31	B1282556	VALVE, BASE, SUCTION LINE, 5/8"
41	B13400701	MOTOR, 208/230-60-1, 1 SPD, 900 RPM, 1/15 HP
51	B9266819	COMPRESSOR, 208/230-60-1, BRISTOL H29B20UABCB (M2)
51	B9266643BS	COMPRESSOR, 208/230-60-1, BRISTOL H29B24UABCB (M3)
51	B9266724S	COMPRESSOR, 208/230-60-1, TECUMSEH #RK5513E (M1)
61	B1339530	GROMMET, COMPRESSOR, BRISTOL, QTY 4 (M2, M3)
61	B1339534	GROMMET, COMPRESSOR, TECUMSEH, QTY 3 (M1)
71	1262312	CRATED COND. SERVICE COIL W/DRIER
81	3150500PDG	PANEL, TOP
91	3151200PDG	BOTTOM PAN ASSEMBLY
101	3151100	PANEL, CONTROL MOUNTING
111	B1368263	TERMINAL BLOCK, 4 POLE
121	B1360322	CONTACTOR, 25 AMP, 125 LRA, 1 POLE, 208/240 V COIL
131	B94576000	CAPACITOR, DUAL-SECTION, 25/5/370 (M1)
131	B94578700	CAPACITOR, DUAL-SECTION, 30/5/370 (M2)
131	B94575300	CAPACITOR, DUAL-SECTION, 35/5/370 (M3)
141	B1219203	BI-FLOW DRIER, COPPER 1" OD
151	B1314452	FLOWRATOR W/COPPER STUB ASSEMBLY (M1)
151	B1314468	FLOWRATOR W/COPPER STUB ASSEMBLY (M2)
151	B1314471	FLOWRATOR W/COPPER STUB ASSEMBLY (M3)
161	3150301PDG	PANEL, FRONT, 25.0"
171	B1376915	GUARD, FAN, 18" DIA.
181	3150804	BRACKET, FAN MOTOR, 25"
191	3150201PDG	PANEL, BACK GRILLE, 25"
201	B3175004	HANDLE, PLASTIC, RIGHT, BLACK
211	B3175005	HANDLE, PLASTIC, LEFT, BLACK
221	3150700PDG	BRACKET, VALVE
231	3150101PDG	PANEL, COMPRESSOR END, 25"
241	3150402	PANEL, PARTITION, 25"
251	B1227301	VALVE, REVERSING
261	B1219300	MUFFLER (M2, M3)
271	B1370809	THERMISTOR SENSOR PLASTIC
NS	B260S8292	PAINT, SPRAY, DARY GRAY

Expanded Model Nomenclature

M1 - HDP12-1B
M2 - HDP18-1B
M3 - HDP24-1B