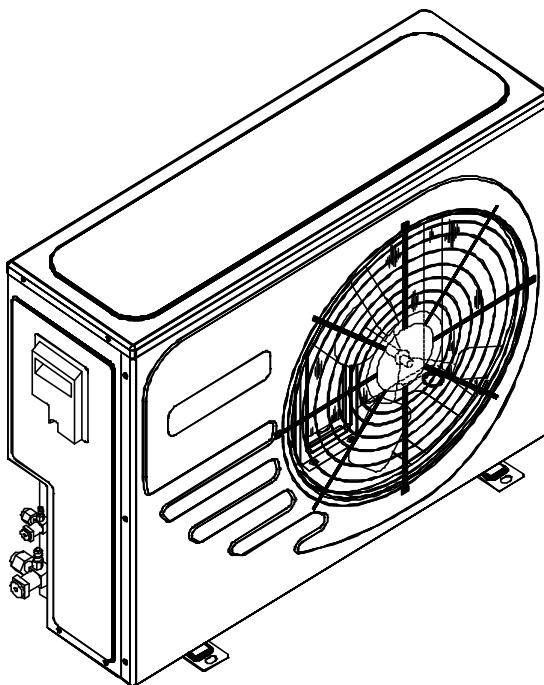




REPAIR PARTS

HDC*B Series Horizontal Discharge Condensing Units, Gray Color Models

HDC12-1B
HDC18-1B
HDC24-1B



RP - 326
September 2004

Made in the USA by:
Goodman Manufacturing Company, L.P.
2550 North Loop West, Suite 400
Houston Texas 77092

This manual is to be used by qualified technicians only.

Copyright © 2004 Goodman Manufacturing Company, L.P.

Important Information

Goodman Manufacturing Company, L.P. is not responsible for personal injury or property damage resulting from improper service. Review all service information before beginning repairs.

Warranty service must be performed by an authorized technician, using authorized factory parts. If service is required after the warranty expires, Goodman Manufacturing Company, L.P. also recommends contacting an authorized technician and using authorized factory parts.

For assistance within the U.S.A. contact:

Consumer Affairs Department
Goodman Manufacturing Company, L.P.
7401 Security Way
Houston, Texas 77040
877-254-4729-Telephone
713-863-2382-Facsimile

For assistance outside the U.S.A. contact:

International Division
Goodman Manufacturing Company, L.P.
7401 Security Way
Houston, Texas 77040
713-861-2500-Telephone
713-863-2382-Facsimile

Index

| | |
|------------------------------|-------|
| Functional Parts List | 5 |
| Illustration and Parts | 6 - 7 |

Views shown are for parts illustrations only, not servicing procedures.

Text Codes:

AR - As Required

NA - Not Available

NS - Not Shown

00000000 - See Note

QTY - Quantity Example (QTY 3) (If Quantity not shown, Quantity = 1)

M - Model Example (M1) (If M Code not shown, then part is used on all Models)

Expanded Model Nomenclature:

| |
|---|
| Example M1 - Model#1 M2 - Model#2 M3 - Model#3 |
|---|

This page left blank intentionally.

Functional Parts

Part

No: Description:

| | |
|-----------|---|
| B1219217 | BI-FLOW DRIER, COPPER 1" OD |
| B94576000 | CAPACITOR, DUAL-SECTION, 25/5/370 (M1) |
| B94578700 | CAPACITOR, DUAL-SECTION, 30/5/370 (M2) |
| B94575300 | CAPACITOR, DUAL-SECTION, 35/5/370 (M3) |
| B9266818 | COMPRESSOR, 208/230-60-1, BRISTOL H29B20UABCB (M2) |
| B9266816 | COMPRESSOR, 208/230-60-1, BRISTOL H29B24UABCB (M3) |
| B9266724S | COMPRESSOR, 208/230-60-1, TECUMSEH #RK5513E (M1) |
| 1262123 | CRATED COND. SERVICE COIL W/DRIER (M2, M3) |
| 1262122 | CRATED COND. SERVICE COIL W/DRIER (M1) |
| B1086759 | FAN, CONDENSER, 3 BLADE, 22° PITCH, 18" DIA.REVCOR #T1803-22 (M2, M3) |
| B1086758 | FAN, CONDENSER, 3 BLADE, 24° PITCH, 16" DIA. REVCOR #T1603-24 (M1) |
| B13400701 | MOTOR, 208/230-60-1, 1 SPD, 900 RPM, 1/15 HP |

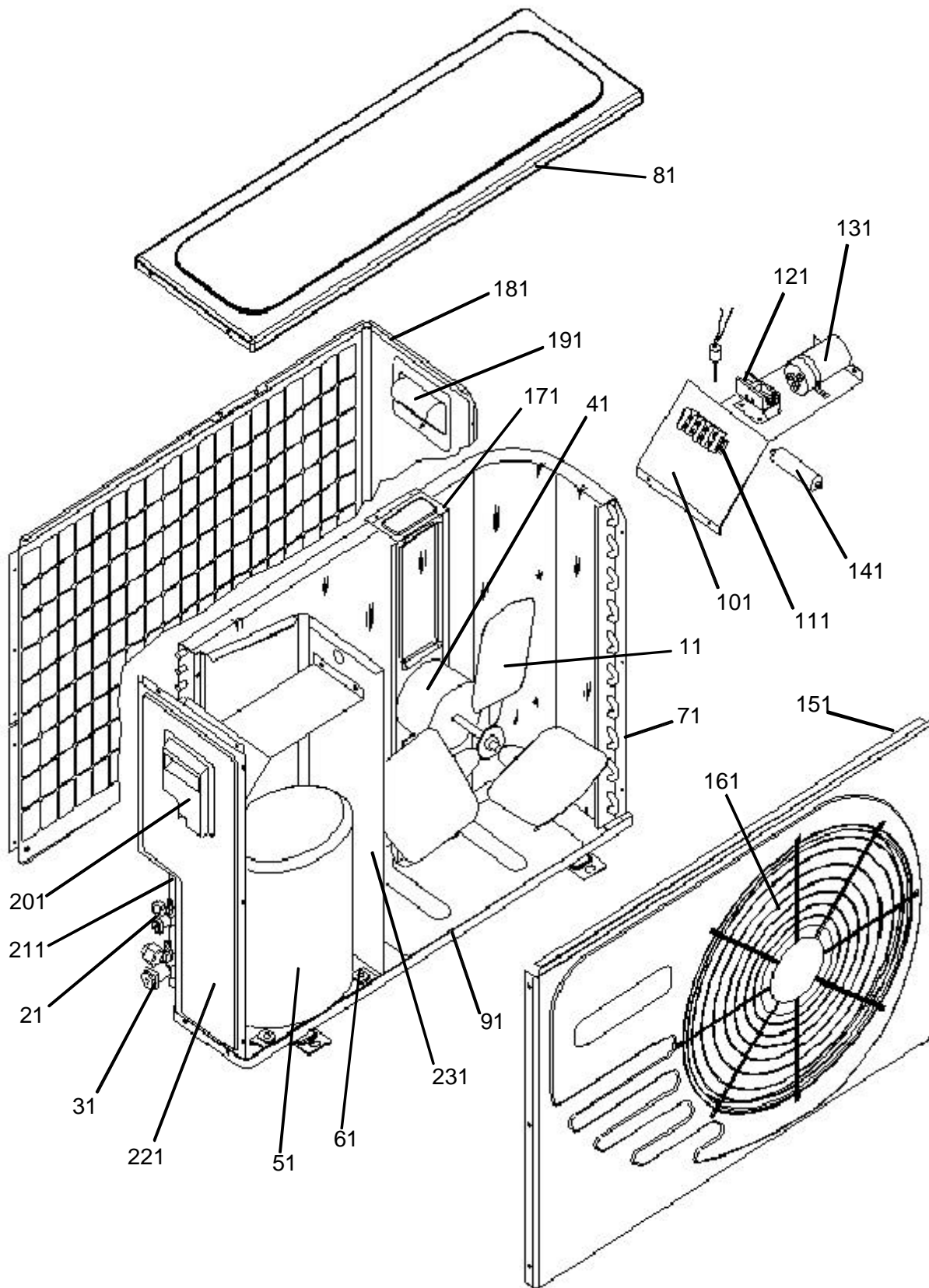
SPECIAL PARTS

| | |
|-----------|----------------------------------|
| IO-12 | INSTALLTION AND OPERATION MANUAL |
| B260S8292 | PAINT, SPRAY (DARK GRAY) |
| RP-210 | REPAIR PART MANUAL |

Expanded Model Nomenclature

| |
|---------------|
| M1 - HDC12-1B |
| M2 - HDC18-1B |
| M3 - HDC24-1B |

HDC Components



HDC Components

| Ref. Part No: | No: | Description: | Ref. Part No: | No: | Description: |
|-----------------|------------|--|---------------|-----|--------------|
| <i>Image 1:</i> | | | | | |
| 11 | B1086759 | FAN, CONDENSER, 3 BLADE, 22° PITCH, 18" DIA. REVCOR #T1803-22 (M2, M3) | | | |
| 11 | B1086758 | FAN, CONDENSER, 3 BLADE, 24° PITCH, 16" DIA. REVCOR #T1603-24 (M1) | | | |
| 21 | B1282555 | VALVE, BASE, LIQUID LINE, 3/8", PISTON .045 (M1) | | | |
| 21 | B1282557 | VALVE, BASE, LIQUID LINE, 3/8", PISTON .052 (M2) | | | |
| 21 | B1282558 | VALVE, BASE, LIQUID LINE, 3/8", PISTON .055 (M3) | | | |
| 31 | B1282556 | VALVE, BASE, SUCTION LINE, 5/8" | | | |
| 41 | B13400701 | MOTOR, 208/230-60-1, 1 SPD, 900 RPM, 1/15 HP | | | |
| 51 | B9266818 | COMPRESSOR, 208/230-60-1, BRISTOL H29B20UABCB (M2) | | | |
| 51 | B9266816 | COMPRESSOR, 208/230-60-1, BRISTOL H29B24UABCB (M3) | | | |
| 51 | B9266724S | COMPRESSOR, 208/230-60-1, TECUMSEH #RK5513E (M1) | | | |
| 61 | B1339530 | GROMMET, COMPRESSOR, BRISTOL (QTY 4) (M2, M3) | | | |
| 61 | B1339534 | GROMMET, COMPRESSOR, TECUMSEH (QTY 3) (M1) | | | |
| 71 | 1262122 | CRATED COND. SERVICE COIL W/DRIER (M1) | | | |
| 71 | 1262123 | CRATED COND. SERVICE COIL W/DRIER (M2, M3) | | | |
| 81 | 3150500PDG | PANEL, TOP | | | |
| 91 | 3151200PDG | BOTTOM PAN ASSEMBLY | | | |
| 101 | 3151100 | PANEL, CONTROL MOUNTING | | | |
| 111 | B1368261 | TERMINAL BLOCK, 4 POLE | | | |
| 121 | B1360322 | CONTACTOR, 25 AMP, 125 LRA, 1 POLE, 208/240 V COIL | | | |
| 131 | B94576000 | CAPACITOR, DUAL-SECTION, 25/5/370 (M1) | | | |
| 131 | B94578700 | CAPACITOR, DUAL-SECTION, 30/5/370 (M2) | | | |
| 131 | B94575300 | CAPACITOR, DUAL-SECTION, 35/5/370 (M3) | | | |
| 141 | B1219217 | BI-FLOW DRIER, COPPER 1" OD | | | |
| 151 | 3150300PDG | PANEL, FRONT, 20.0" (M1) | | | |
| 151 | 3150301PDG | PANEL, FRONT, 25.0" (M2, M3) | | | |
| 161 | B1376910 | GUARD, FAN, 16" DIA. (M1) | | | |
| 161 | B1376915 | GUARD, FAN, 18" DIA. (M2, M3) | | | |
| 171 | 3150803 | BRACKET, FAN MOTOR, 20" (M1) | | | |
| 171 | 3150804 | BRACKET, FAN MOTOR, 25" (M2, M3) | | | |
| 181 | 3150200PDG | PANEL, BACK GRILLE, 20" (M1) | | | |
| 181 | 3150201PDG | PANEL, BACK GRILLE, 25" (M2, M3) | | | |
| 191 | B3175004 | HANDLE, PLASTIC, RIGHT, BLACK | | | |
| 201 | B3175005 | HANDLE, PLASTIC, LEFT, BLACK | | | |
| 211 | 3150700PDG | BRACKET, VALVE | | | |
| 221 | 3150100PDG | PANEL, COMPRESSOR END, 20" (M1) | | | |
| 221 | 3150101PDG | PANEL, COMPRESSOR END, 25" (M2, M3) | | | |
| 231 | 3150400 | PANEL, PARTITION, 20" (M1) | | | |
| 231 | 3150401 | PANEL, PARTITION, 25" (M2, M3) | | | |
| 241 | B260S8292 | PAINT, SPRAY (DARK GRAY) | | | |

Expanded Model Nomenclature

| |
|---------------|
| M1 - HDC12-1B |
| M2 - HDC18-1B |
| M3 - HDC24-1B |