



# REPAIR PARTS

---

## GUP, GUPI, and GUPX "B" SERIES

GUPI050-3  
GUPI075-3  
GUPI075-4  
GUPI100-4  
GUPI100-5  
GUPI120-5  
GUPS050-2  
GUPS075-3  
GUPS100-3  
GUPS100-4  
GUPS120-4  
GUPS120-5  
GUPS140-5  
GUPX050-3B  
GUPX075-4B  
GUPX100-5B  
GUPX120-5B

This manual is to be used by qualified technicians only.

This manual replaces RP-159B.

© 2003-2009 Goodman Manufacturing Company, L.P. ♦ 5151 San Felipe, Suite 500 ♦ Houston, TX 77056

# Important Information

---

## Index

Functional Parts List .....	3
Illustration and Parts .....	4 - 13

*Views shown are for parts illustrations only, not servicing procedures.*

Rev C: Corrected heat exchanger part numbers.

### Text Codes:

AR - As Required

NA - Not Available

NS - Not Shown

00000000 - See Note

QTY - Quantity Example (QTY 3) (If Quantity not shown, Quantity = 1)

M - Model Example (M1) (If M Code not shown, then part is used on all Models)

### Expanded Model Nomenclature:

Example M1 - Model#1 M2 - Model#2 M3 - Model#3
---------------------------------------------------------

Goodman Manufacturing Company, L.P. is not responsible for personal injury or property damage resulting from improper service. Review all service information before beginning repairs.

Warranty service must be performed by an authorized technician, using authorized factory parts. If service is required after the warranty expires, Goodman Manufacturing Company, L.P. also recommends contacting an authorized technician and using authorized factory parts.

Goodman Manufacturing Company, L.P. reserves the right to discontinue, or change at any time, specifications or designs without notice or without incurring obligations.

For assistance within the U.S.A. contact:  
Consumer Affairs Department  
Goodman Manufacturing Company, L.P.  
7401 Security Way  
Houston, Texas 77040  
877-254-4729-Telephone  
713-863-2382-Facsimile

For assistance outside the U.S.A. contact:  
International Division  
Goodman Manufacturing Company, L.P.  
7401 Security Way  
Houston, Texas 77040  
713-861-2500-Telephone  
713-863-2382-Facsimile

# Functional Parts

## Part

## No: Description:

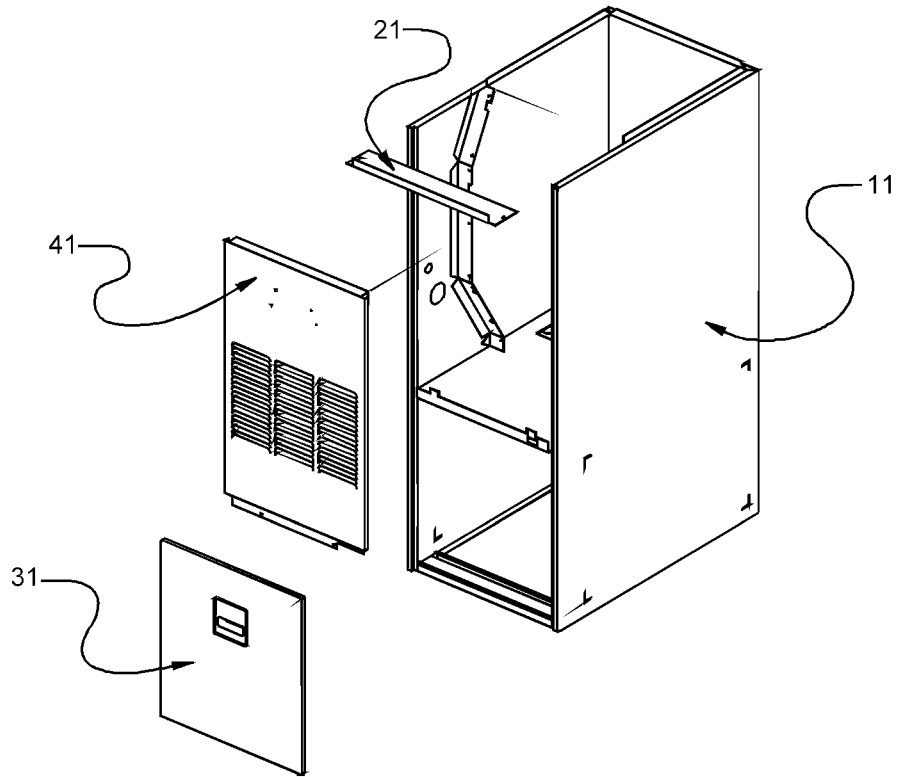
## Expanded Model Nomenclature

B1370126	AIR PRESSURE SWITCH (M2, M3, M4, M5, M7, M8, M9, M10, M14, M15, M16)	M1 - GUPI050-3
B1340020	BLOWER MOTOR 1/2 HP, DIRECT DRIVE (M3, M4, M10, M11, M15)	M2 - GUPI075-3
B1340021	BLOWER MOTOR 1/3 HP, DIRECT DRIVE (M1, M2, M7, M8, M9, M14)	M3 - GUPI075-4
B1340023S	BLOWER MOTOR 3/4 HP, DIRECT DRIVE (M5, M6, M12, M16, M17)	M4 - GUPI100-4
B1340022S	BLOWER MOTOR 3/4 HP, DIRECT DRIVE (M13)	M5 - GUPI100-5
CAP100000370VAS	CAPACITOR 10/370V [BLOWER] (M3, M4, M10, M11, M15)	M6 - GUPI120-5
CAP125000370RPS	CAPACITOR 12.5/370V (M1, M2, M5, M6, M7, M8, M9, M12, M14, M16, M17)	M7 - GUPS050-2
CAP150000370VAS	CAPACITOR 15/370V (M13)	M8 - GUPS075-3
B1370108	FLAME ROLLOUT SWITCH, 300°	M9 - GUPS100-3
B1282605	GAS VALVE - STANDING PILOT [OBSOLETE] (M7, M8, M9, M10, M11, M12, M13)	M10 - GUPS100-4
B1282606	GAS VALVE-W.R [OBSOLETE] (M1, M2, M3, M4, M5, M6, M13, M14, M15, M16, M17)	M11 - GUPS120-4
B1370724	IGNITION MODULE 1003-300 (M1, M2, M3, M4, M5, M6, M14, M15, M16, M17)	M12 - GUPS120-5
B1370133	PRESSURE SWITCH (M6, M11, M12, M13)	M13 - GUPS140-5
1370906S	PRIMARY LIMIT SWITCH 150°F (M1, M3, M6, M8, M12, M13, M14, M15)	M14 - GUPX050-3B
1370908S	PRIMARY LIMIT SWITCH 160°F (M2, M7)	M15 - GUPX075-4B
1370911S	PRIMARY LIMIT SWITCH 220°F (M5, M10, M11, M16, M17)	M16 - GUPX100-5B
1370912S	PRIMARY LIMIT SWITCH 240°F (M4, M9)	M17 - GUPX120-5B
B1809904	SOLID-STATE BLOWER CONTROL	
B1141605	TRANSFORMER 120V TO 24V, 40 VA	
1859000	VENT MOTOR & HOUSING	

## SPECIAL PARTS

RP-159B REPAIR PARTS MANUAL

# Casing



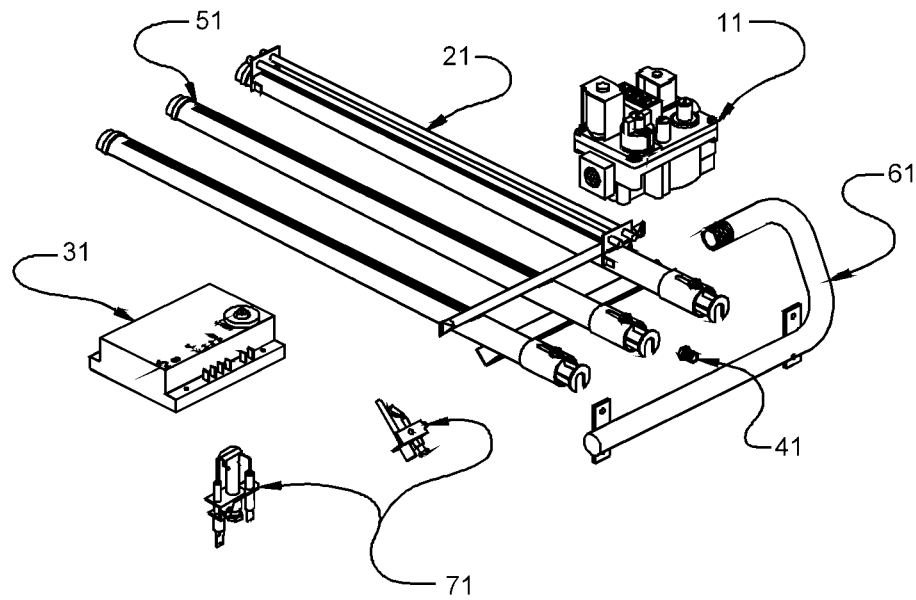
# Casing

Ref. Part No:	Ref. Part No:	Description:	Description:
<i>Image 1:</i>			
11	1816111P	CASING ASSEMBLY (M13)	
11	1816132P	CASING ASSEMBLY [OBSOLETE] (M1, M2, M7, M8, M14)	
11	1816133P	CASING ASSEMBLY [OBSOLETE] (M3, M4, M9, M10, M15)	
11	1816134P	CASING ASSEMBLY [OBSOLETE] (M5, M6, M11, M12, M16, M17)	
21	1822106S	TOP CHANNEL (M13)	
21	1822107P	TOP CHANNEL (M1, M2, M7, M8, M14)	
21	1822108P	TOP CHANNEL (M3, M4, M9, M10, M15)	
21	1822109P	TOP CHANNEL (M5, M6, M11, M12, M16, M17)	
31	1822337P	BLOWER DOOR (M3, M4, M9, M10, M15)	
31	1822338P	BLOWER DOOR (M5, M6, M11, M12, M16, M17)	
31	1822342	BLOWER DOOR W/HANDLE (M13)	
31	1822343P	BLOWER DOOR W/HANDLE (M1, M2, M7, M8, M14)	
41	1881300P	CONTROL ACCESS DOOR (M1, M2, M7, M8, M14)	
41	1881302P	CONTROL ACCESS DOOR (M5, M6, M11, M12, M16, M17)	
41	1881303P	CONTROL ACCESS DOOR (M13)	
41	1881301P	CONTROL ACCESS DOOR [OBSOLETE] (M3, M4, M9, M10, M15)	

## Expanded Model Nomenclature

M1 - GUPI050-3
M2 - GUPI075-3
M3 - GUPI075-4
M4 - GUPI100-4
M5 - GUPI100-5
M6 - GUPI120-5
M7 - GUPS050-2
M8 - GUPS075-3
M9 - GUPS100-3
M10 - GUPS100-4
M11 - GUPS120-4
M12 - GUPS120-5
M13 - GUPS140-5
M14 - GUPX050-3B
M15 - GUPX075-4B
M16 - GUPX100-5B
M17 - GUPX120-5B

# Gas Train



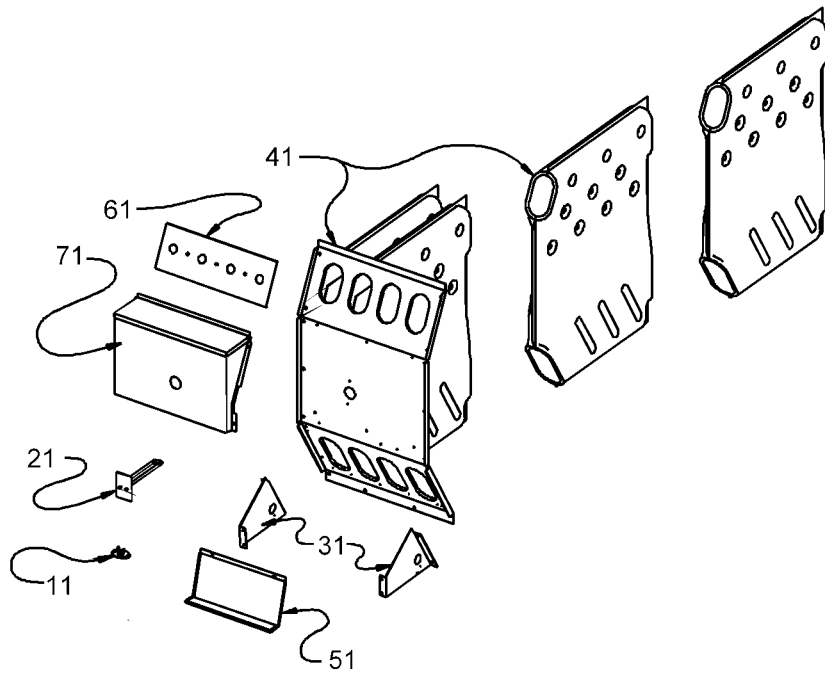
# Gas Train

Ref. Part No:	No:	Description:	Ref. Part No:	No:	Description:
<i>Image 1:</i>					
11	B1282605	GAS VALVE - STANDING PILOT [OBSOLETE] (M7, M8, M9, M10, M11, M12, M13)			
11	B1282606	GAS VALVE-W.R [OBSOLETE] (M1, M2, M3, M4, M5, M6, M13, M14, M15, M16, M17)			
21	B1811200	LOW NOX ROD [OBSOLETE] (M14, M15, M16, M17)			
31	B1370724	IGNITION MODULE 1003-300 (M1, M2, M3, M4, M5, M6, M14, M15, M16, M17)			
41	B1789342	ORIFICE (QTY AR)			
51	B1822500S	BURNER 2 CELL (M1, M7)			
51	B1822502	BURNER 2 CELL (M14)			
51	B1822501S	BURNER 3 CELL (M15)			
51	B1822501S	BURNER 3 CELL (M2, M3, M8)			
51	B1822507S	BURNER 4 CELL (M4, M5, M9, M10)			
51	B1822504	BURNER ASSY, 4 CELL, LO NOX [OBSOLETE] (M16)			
51	B1822508S	BURNER ASSY, 5 CELL, 1" DIA. (M6, M11, M12)			
51	B1822505	BURNER ASSY, 5 CELL, LO NOX (M17)			
51	B1822509S	BURNER ASSY, 6 CELL, 1" DIA. (M13)			
61	B1826400	MANIFOLD - 2 BRNR (M1, M7, M14)			
61	B1826401	MANIFOLD - 3 BRNR (M2, M3, M8, M15)			
61	B1826402	MANIFOLD - 4 BRNR (M4, M5, M9, M10, M16)			
61	B1826403	MANIFOLD - 5 BRNR [OBSOLETE] (M6, M11, M12, M17)			
61	B1826404	MANIFOLD - 6 BRNR [OBSOLETE] (M13)			
71	1401003S	PILOT ASSY (M1, M2, M3, M4, M5, M6, M14, M15, M16, M17)			
71	B1401010	PILOT BURNER (M7, M8, M9, M10, M11, M12, M13)			

## Expanded Model Nomenclature

M1 - GUPI050-3
M2 - GUPI075-3
M3 - GUPI075-4
M4 - GUPI100-4
M5 - GUPI100-5
M6 - GUPI120-5
M7 - GUPS050-2
M8 - GUPS075-3
M9 - GUPS100-3
M10 - GUPS100-4
M11 - GUPS120-4
M12 - GUPS120-5
M13 - GUPS140-5
M14 - GUPX050-3B
M15 - GUPX075-4B
M16 - GUPX100-5B
M17 - GUPX120-5B

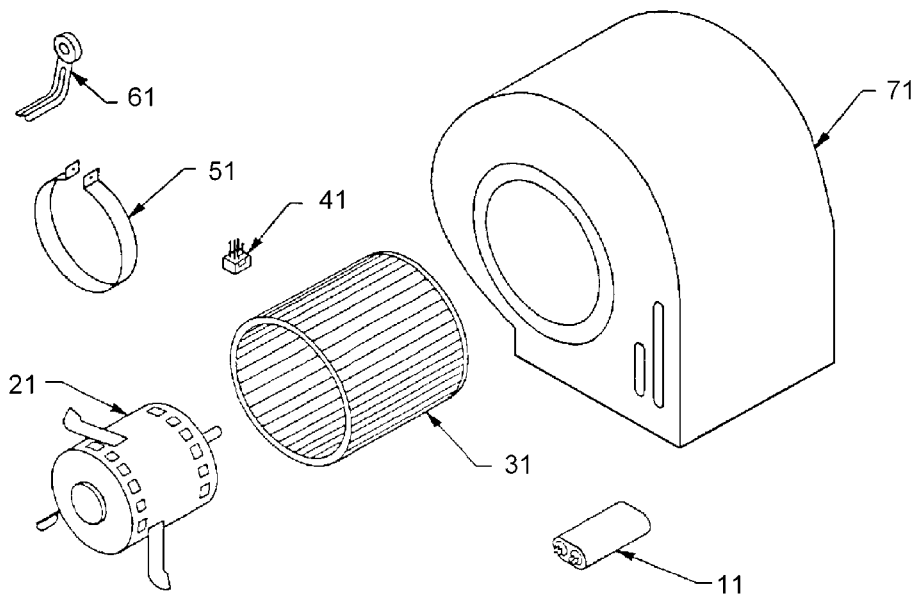
# Heat Exchanger Assembly



# Heat Exchanger Assembly

Ref. Part No:	No:	Description:	Ref. Part No:	No:	Description:
<i>Image 1:</i>			Expanded Model Nomenclature		
11	B1370108	FLAME ROLLOUT SWITCH, 300°	M1	-	GUPI050-3
21	1370906S	PRIMARY LIMIT SWITCH 150°F (M1, M3, M6, M8, M12, M13, M14, M15)	M2	-	GUPI075-3
21	1370908S	PRIMARY LIMIT SWITCH 160°F (M2, M7)	M3	-	GUPI075-4
21	1370911S	PRIMARY LIMIT SWITCH 220°F (M5, M10, M11, M16, M17)	M4	-	GUPI100-4
21	1370912S	PRIMARY LIMIT SWITCH 240°F (M4, M9)	M5	-	GUPI100-5
31	1815901	MANIFOLD SUPPORT BRACKET - RH	M6	-	GUPI120-5
31	1815900	MANIFOLD SUPPORT BRACKET, LH	M7	-	GUPS050-2
41	025700070	HEAT EXCHANGER ASSY (M3, M15)	M8	-	GUPS075-3
41	025700075	HEAT EXCHANGER ASSY (M4, M5, M9, M10, M16)	M9	-	GUPS100-3
41	0257F00068	HEAT EXCHANGER ASSY (M2, M8)	M10	-	GUPS100-4
41	0257F00069	HEAT EXCHANGER ASSY (M6, M11, M12, M17)	M11	-	GUPS120-4
41	1821217	HEAT EXCHANGER ASSY (M13)	M12	-	GUPS120-5
41	18212345	HEAT EXCHANGER ASSY (M1, M7, M14)	M13	-	GUPS140-5
41	0257F00070	SUB-ASSY, HEAT EXCHANGER 3 CL 17" (M3, M15)	M14	-	GUPX050-3B
41	0257F00070	SUB-ASSY, HEAT EXCHANGER 3 CL 17" (M3, M15)	M15	-	GUPX075-4B
41	0257F00075	SUB-ASSY, HEAT EXCHANGER 4 CL 17" (M4, M5, M9, M10, M16)	M16	-	GUPX100-5B
41	0257F00075	SUB-ASSY, HEAT EXCHANGER 4 CL 17" (M4, M5, M9, M10, M16)	M17	-	GUPX120-5B
51	1822416	SECONDARY AIR DOOR (M1, M7, M14)			
51	1822417	SECONDARY AIR DOOR (M2, M3, M8, M15)			
51	1822418	SECONDARY AIR DOOR (M4, M5, M9, M10, M16)			
51	1822420	SECONDARY AIR DOOR (M13)			
51	1822419	SECONDARY AIR DOOR [OBSOLETE] (M6, M11, M12, M17)			
61	1824816	FLUE RESTRICTOR (M1, M7, M14)			
61	1824817	FLUE RESTRICTOR (M2, M3, M8, M15)			
61	1824818	FLUE RESTRICTOR (M6, M11, M12, M17)			
61	1824819	FLUE RESTRICTOR (M4, M5, M9, M10, M16)			
61	1824828	FLUE RESTRICTOR (M13)			
71	1881203	FLUE COLLECTOR BOX (M13)			
71	1881204	FLUE COLLECTOR BOX (M1, M7, M14)			
71	1881210	FLUE COLLECTOR BOX (M4, M5, M9, M10, M16)			
71	1881208	POWER VENT HOOD [OBSOLETE] (M6, M11, M17)			
71	1881209	POWER VENT HOOD [OBSOLETE] (M2, M3, M8, M15)			

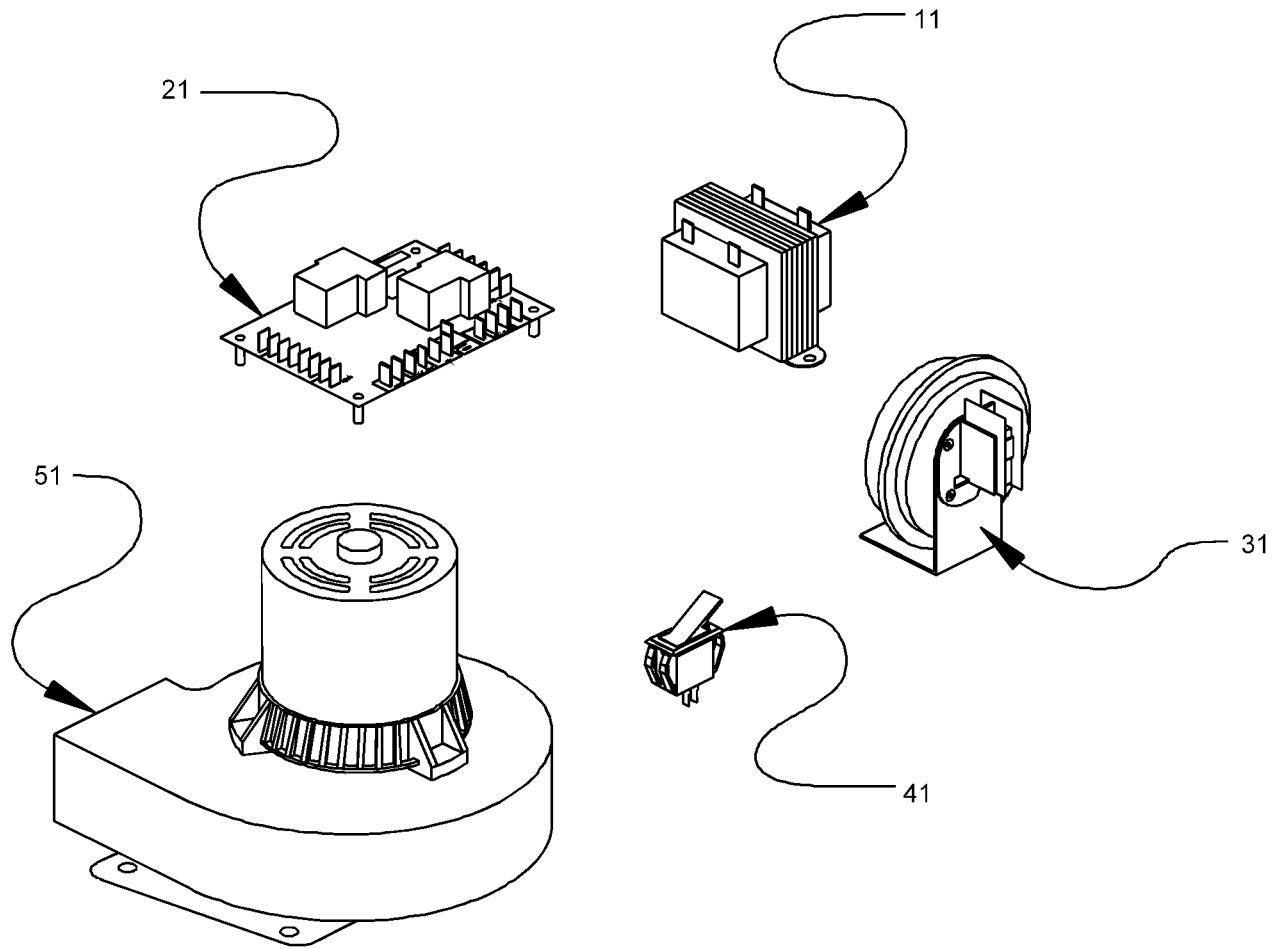
# Blower Assembly



# Blower Assembly

Ref. Part No:	Ref. Part No:	Description:	Description:
<i>Image 1:</i>		Expanded Model Nomenclature	
11	CAP100000370VAS	CAPACITOR 10/370V [BLOWER] (M3, M4, M10, M11, M15)	M1 - GUPI050-3
11	CAP125000370RPS	CAPACITOR 12.5/370V (M1, M2, M5, M6, M7, M8, M9, M12, M14, M16, M17)	M2 - GUPI075-3
11	CAP150000370VAS	CAPACITOR 15/370V (M13)	M3 - GUPI075-4
21	B1340020	BLOWER MOTOR 1/2 HP, DIRECT DRIVE (M3, M4, M10, M11, M15)	M4 - GUPI100-4
21	B1340021	BLOWER MOTOR 1/3 HP, DIRECT DRIVE (M1, M2, M7, M8, M9, M14)	M5 - GUPI100-5
21	B1340022S	BLOWER MOTOR 3/4 HP, DIRECT DRIVE (M13)	M6 - GUPI120-5
21	B1340023S	BLOWER MOTOR 3/4 HP, DIRECT DRIVE (M5, M6, M12, M16, M17)	M7 - GUPS050-2
31	D6723306S	BLOWER WHEEL (M11)	M8 - GUPS075-3
31	B1368034S	BLOWER WHEEL 10 X 6 (M1, M2, M6, M8, M13, M14)	M9 - GUPS100-3
31	B1368046S	BLOWER WHEEL 10 X 6 CCW (M6, M13)	M10 - GUPS100-4
31	B1368016S	BLOWER WHEEL 10 X 8 (M3, M4, M9, M10, M15)	M11 - GUPS120-4
31	B1368000S	BLOWER WHEEL 11 X 10 (M5, M12, M16, M17)	M12 - GUPS120-5
31	B1368042S	BLOWER WHEEL 9 X 6 (M7)	M13 - GUPS140-5
41	B1368253	MALE PLUG ASSY (M1, M2, M3, M4, M5, M6, M7, M8, M9, M10, M11, M12, M13, M14, M15, M16)	M14 - GUPX050-3B
51	B1376851	MOTOR MOUNT BAND (M5, M6, M12, M13, M15, M16)	M15 - GUPX075-4B
61	B1376859	MOTOR MOUNT ARM (M5, M6, M12, M13, M16, M17)	M16 - GUPX100-5B
71	0271A00016S	BLOWER HOUSING ASSY 10 X 10 (M5, M6, M11, M12, M16, M17)	M17 - GUPX120-5B
71	1839301S	BLOWER HOUSING ASSY 10 X 6 (M13)	
71	5660205S	BLOWER HOUSING ASSY 10 X 8 (M3, M4, M9, M10, M15)	
71	1439389S	BLOWER HOUSING ASSY 9 X 6 (M7)	
71	2539300S	BLOWER HOUSING ASSY w/o CUT-OFF 764730 (M1, M2, M8, M14)	
81	1868201S	BLOWER ASSY (10 X 10) [OBSOLETE] (M11)	
81	1868200S	BLOWER ASSY (10 X 6) [OBSOLETE] (M13)	
81	1868221S	BLOWER ASSY (10 X 6) [OBSOLETE] (M1, M2, M8, M14)	
81	1868204S	BLOWER ASSY (10 X 8) [OBSOLETE] (M9)	
81	1868204S	BLOWER ASSY (10 X 8) [OBSOLETE] (M3, M4, M10, M15)	
81	1868216S	BLOWER ASSY (11 X 10) [OBSOLETE] (M5, M6, M12, M16, M17)	
81	1868224S	BLOWER ASSY (9 X 6) [OBSOLETE] (M7)	

# Misc. Electrical and Hardware



# Misc. Electrical and Hardware

Ref. Part No:	Ref. Part No:	Description:	Description:
---------------	---------------	--------------	--------------

Image 1:

11	B1141605	TRANSFORMER 120V TO 24V, 40 VA
21	B1809904	SOLID-STATE BLOWER CONTROL
31	B1370126	AIR PRESSURE SWITCH (M2, M3, M4, M5, M7, M8, M9, M10, M14, M15, M16)
31	B1370133	PRESSURE SWITCH (M6, M11, M12, M13)
41	B1370818	INTERLOCK SWITCH
51	1859000	VENT MOTOR & HOUSING

Expanded Model Nomenclature

M1 - GUPI050-3
M2 - GUPI075-3
M3 - GUPI075-4
M4 - GUPI100-4
M5 - GUPI100-5
M6 - GUPI120-5
M7 - GUPS050-2
M8 - GUPS075-3
M9 - GUPS100-3
M10 - GUPS100-4
M11 - GUPS120-4
M12 - GUPS120-5
M13 - GUPS140-5
M14 - GUPX050-3B
M15 - GUPX075-4B
M16 - GUPX100-5B
M17 - GUPX120-5B

