



# REPAIR PARTS

---

## GUN "B" & GUS SERIES Gas Furnaces

GUN050-2B  
GUN075-3B  
GUN100-4B  
GUN125-5B  
GUS050-2  
GUS075-3  
GUS100-4  
GUS125-5

This manual is to be used by qualified technicians only.

© 1993-2008 Goodman Manufacturing Company, L.P. ♦ 5151 San Felipe, Suite 500 ♦ Houston, TX 77056

# Important Information

---

## Index

Functional Parts List .....	3
Illustration and Parts .....	4 - 13

*Views shown are for parts illustrations only, not servicing procedures.*

### Text Codes:

AR - As Required

NA - Not Available

NS - Not Shown

00000000 - See Note

QTY - Quantity Example (QTY 3) (If Quantity not shown, Quantity = 1)

M - Model Example (M1) (If M Code not shown, then part is used on all Models)

### Expanded Model Nomenclature:

Example M1 - Model#1 M2 - Model#2 M3 - Model#3
---

Goodman Manufacturing Company, L.P. is not responsible for personal injury or property damage resulting from improper service. Review all service information before beginning repairs.

Warranty service must be performed by an authorized technician, using authorized factory parts. If service is required after the warranty expires, Goodman Manufacturing Company, L.P. also recommends contacting an authorized technician and using authorized factory parts.

Goodman Manufacturing Company, L.P. reserves the right to discontinue, or change at any time, specifications or designs without notice or without incurring obligations.

For assistance within the U.S.A. contact:  
Consumer Affairs Department  
Goodman Manufacturing Company, L.P.  
7401 Security Way  
Houston, Texas 77040  
877-254-4729-Telephone  
713-863-2382-Facsimile

For assistance outside the U.S.A. contact:  
International Division  
Goodman Manufacturing Company, L.P.  
7401 Security Way  
Houston, Texas 77040  
713-861-2500-Telephone  
713-863-2382-Facsimile

# Functional Parts

## Part

## No: Description:

---

B1340020S	BLOWER MOTOR 1/2 HP, DIRECT DRIVE (M2, M3, M6, M7)
B1340021S	BLOWER MOTOR 1/3 HP, DIRECT DRIVE (M1, M5)
B1340022S	BLOWER MOTOR 3/4 HP, DIRECT DRIVE (M4, M8)
CAP100000370VAS	CAPACITOR 10/370V (M2, M3, M6, M7)
CAP125000370RPS	CAPACITOR 12.5/370V (M1, M5)
CAP150000370VAS	CAPACITOR 15/370V (M4, M8)
CAP050000370VAS	CAPACITOR 5/370V
B1370108	FLAME ROLLOUT SWITCH, 300°
B1401018S	IGNITOR (M5, M6, M7, M8)
1370906S	PRIMARY LIMIT SWITCH 150°F (M4)
1370908S	PRIMARY LIMIT SWITCH 160°F (M2, M3, M8)
1370910S	PRIMARY LIMIT SWITCH 170°F (M6, M7)
B1141605	TRANSFORMER 120V TO 24V, 40 VA
B1859002	VENT MOTOR & HOUSING*

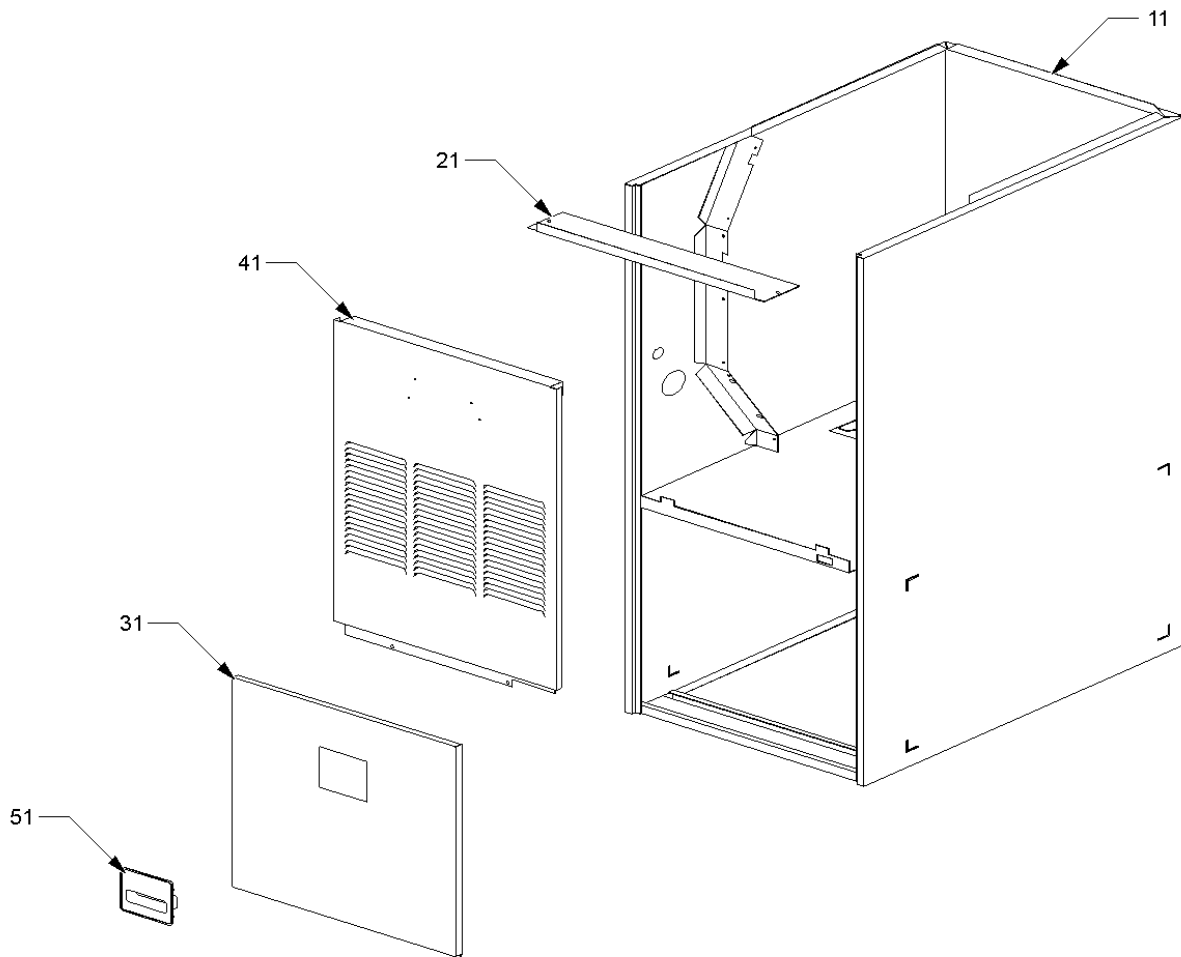
## SPECIAL PARTS

RP-147B REPAIR PARTS MANUAL

Expanded Model Nomenclature

M1 - GUN050-2B
M2 - GUN075-3B
M3 - GUN100-4B
M4 - GUN125-5B
M5 - GUS050-2
M6 - GUS075-3
M7 - GUS100-4
M8 - GUS125-5

# Cabinet Assy



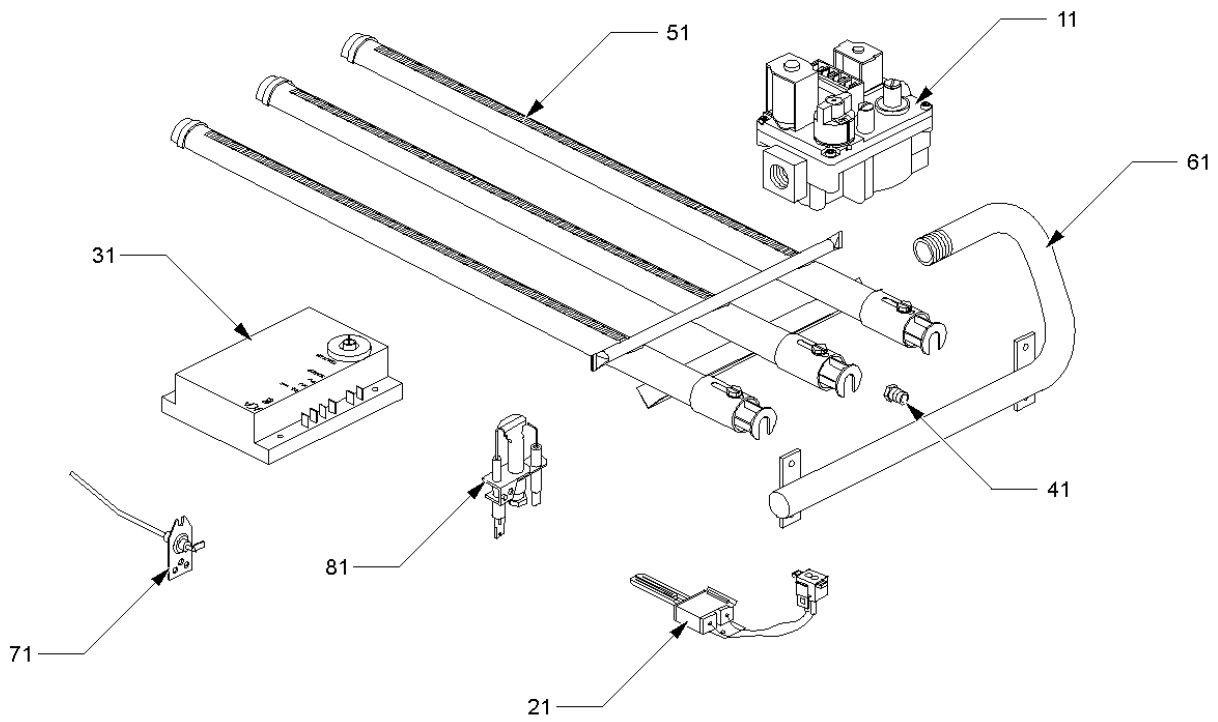
# Cabinet Assy

Ref. Part No:	No:	Description:	Ref. Part No:	No:	Description:
<i>Image 1:</i>					
11	1816129S	CABINET ASSY (M5, M6)			
11	1816130S	CABINET ASSY (M7)			
11	1816131S	CABINET ASSY (M8)			
11	1816139S	CABINET ASSY (M3)			
11	1816140S	CABINET ASSY (M4)			
11	1816138S	CABINET ASSY [OBSOLETE] (M1, M2)			
21	1822105S	TOP CHANNEL (M3, M7)			
21	1822106S	TOP CHANNEL (M4, M8)			
21	1822108P	TOP CHANNEL (M1, M2, M5, M6)			
31	1822337P	BLOWER DOOR (M1, M2, M5, M6)			
31	1822338P	BLOWER DOOR (M3, M7)			
31	1822339P	BLOWER DOOR (M4, M8)			
41	1881311P	CONTROL ACCESS DOOR (M1, M2, M5, M6)			
41	1881312P	CONTROL ACCESS DOOR (M3, M7)			
41	1881313P	CONTROL ACCESS DOOR (M4, M8)			
51	1893600	DOOR HANDLE W/CLIPS [OBSOLETE]			

Expanded Model Nomenclature

M1 - GUN050-2B
M2 - GUN075-3B
M3 - GUN100-4B
M4 - GUN125-5B
M5 - GUS050-2
M6 - GUS075-3
M7 - GUS100-4
M8 - GUS125-5

# Gas Train



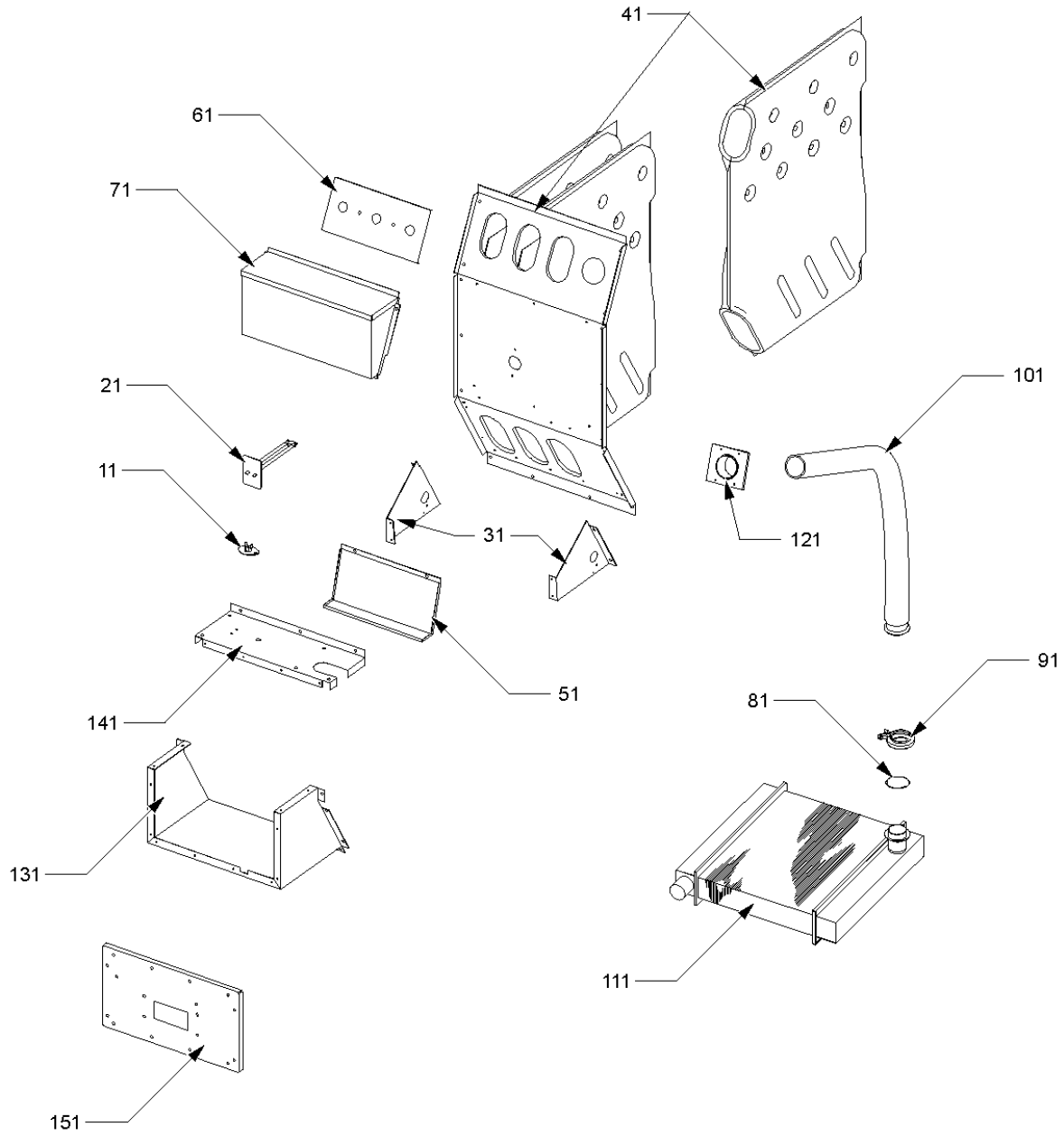
# Gas Train

Ref. Part No:	Part No:	Description:	Ref. Part No:	Part No:	Description:
<i>Image 1:</i>					
11	B1282606	GAS VALVE-W.R [OBSOLETE]			
21	B1401018S	IGNITOR (M5, M6, M7, M8)			
31	B1370726	IGNITION MODULE - HSI (M5, M6, M7, M8)			
31	B1370724	IGNITION MODULE - IID (M1, M2, M3, M4)			
41	B1789342	ORIFICE (QTY 2)			
51	B1822522	BURNER ASSY, 2 CELL, 1 1/4" DIA. (M5)			
51	B1822518	BURNER ASSY, 2 CELL, 1" DIA. (M1)			
51	B1822523	BURNER ASSY, 3 CELL, 1 1/4" DIA. (M6)			
51	B1822519	BURNER ASSY, 3 CELL, 1" DIA. (M2)			
51	B1822524	BURNER ASSY, 4 CELL, 1 1/4" DIA. (M7)			
51	B1822520	BURNER ASSY, 4 CELL, 1" DIA (M3)			
51	B1822521	BURNER ASSY, 4 CELL, 1" DIA. (M4)			
51	B1822525	BURNER ASSY, 5 CELL, 1 1/4" DIA. (M8)			
61	B1826412	MANIFOLD - 2 BRNR (M5)			
61	B1826416	MANIFOLD - 2 BRNR (M1)			
61	B1826413	MANIFOLD - 3 BRNR [OBSOLETE] (M6)			
61	B1826417	MANIFOLD - 3 BRNR [OBSOLETE] (M2)			
61	B1826414	MANIFOLD - 4 BRNR (M7)			
61	B1826418	MANIFOLD - 4 BRNR [OBSOLETE] (M3)			
61	B1826415	MANIFOLD - 5 BRNR (M8)			
61	B1826419	MANIFOLD - 5 BRNR (M4)			
71	B1172605	FLAME SENSOR (M5, M6, M7, M8)			
81	1401003S	PILOT ASSY (M1, M2, M3, M4)			

## Expanded Model Nomenclature

- M1 - GUN050-2B
- M2 - GUN075-3B
- M3 - GUN100-4B
- M4 - GUN125-5B
- M5 - GUS050-2
- M6 - GUS075-3
- M7 - GUS100-4
- M8 - GUS125-5

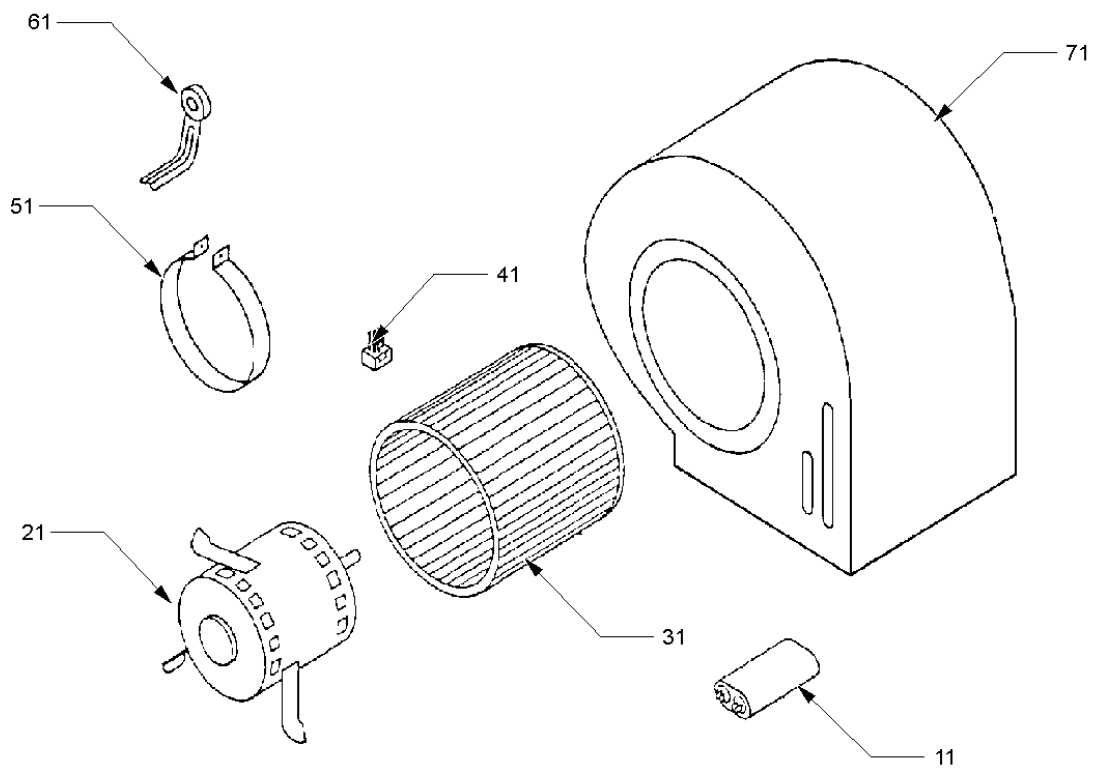
# Heat Exchanger Assy



# Heat Exchanger Assy

Ref. Part No:	No:	Description:	Ref. Part No:	No:	Description:								
<i>Image 1:</i>			<i>Image 1:</i>										
11	B1370108	FLAME ROLLOUT SWITCH, 300°	NS	B1392609	SEAL STRIP, RED, 1/8 X 1/2 X 100 (M8)								
21	B1370003	LIMIT CONTROL 240° (M1, M5)	Expanded Model Nomenclature										
21	1370906S	PRIMARY LIMIT SWITCH 150°F (M4)	<table border="1"> <tr><td>M1 - GUN050-2B</td></tr> <tr><td>M2 - GUN075-3B</td></tr> <tr><td>M3 - GUN100-4B</td></tr> <tr><td>M4 - GUN125-5B</td></tr> <tr><td>M5 - GUS050-2</td></tr> <tr><td>M6 - GUS075-3</td></tr> <tr><td>M7 - GUS100-4</td></tr> <tr><td>M8 - GUS125-5</td></tr> </table>			M1 - GUN050-2B	M2 - GUN075-3B	M3 - GUN100-4B	M4 - GUN125-5B	M5 - GUS050-2	M6 - GUS075-3	M7 - GUS100-4	M8 - GUS125-5
M1 - GUN050-2B													
M2 - GUN075-3B													
M3 - GUN100-4B													
M4 - GUN125-5B													
M5 - GUS050-2													
M6 - GUS075-3													
M7 - GUS100-4													
M8 - GUS125-5													
21	1370908S	PRIMARY LIMIT SWITCH 160°F (M2, M3, M8)											
21	1370910S	PRIMARY LIMIT SWITCH 170°F (M6, M7)											
31	1815902	MANIFOLD SUPPORT BRACKET - LH (M1, M2, M3, M4)											
31	1815901	MANIFOLD SUPPORT BRACKET - RH											
41	0257F00064	HEAT EXCHANGER ASSY 2B (M1, M5)											
41	0257F00065	HEAT EXCHANGER ASSY 3B (M2, M6)											
41	0257F00066	HEAT EXCHANGER ASSY 4B (M3, M7)											
41	0257F00067	HEAT EXCHANGER ASSY 5B (M4, M8)											
51	1822408	SECONDARY AIR DOOR (M1)	* GASKET KIT SHOULD BE ORDERED WHEN REPLACING THESE PARTS.										
51	1822409	SECONDARY AIR DOOR (M2)											
51	1822410	SECONDARY AIR DOOR (M3)											
51	1822411	SECONDARY AIR DOOR (M4)											
51	1882006	SECONDARY AIR DOOR (M5)											
51	1882007	SECONDARY AIR DOOR (M6)											
51	1882008	SECONDARY AIR DOOR (M7)											
51	1882009	SECONDARY AIR DOOR (M8)											
61	1824800S	FLUE RESTRICTOR (M1, M5)											
61	1824801S	FLUE RESTRICTOR (M2, M6)											
61	1824803S	FLUE RESTRICTOR (M4, M8)											
61	1824811S	FLUE RESTRICTOR (M3, M7)											
71	1881214	FLUE COLLECTOR (M1, M2, M5, M6)											
71	1881215	FLUE COLLECTOR (M3, M7)											
71	1881216	FLUE COLLECTOR (M4, M8)											
81	B1810100	O-RING											
91	B1810002	CLAMP											
101	B1810202	TRANSFER TUBE											
111	B1864601	SECONDARY COIL (M3, M7)											
111	B1864602	SECONDARY COIL (M4, M8)											
111	B1864600	SECONDARY COIL [OBSOLETE] (M1, M2, M5, M6)											
121	B1810300	UPPER TRANSITION TUBE											
131	1882000	BURNER BOX WRAPPER* (M5, M6)											
131	1882001	BURNER BOX WRAPPER* (M7)											
131	1882002	BURNER BOX WRAPPER* (M8)											
141	1882300	BURNER BOX TOP (M5, M6)											
141	1882301	BURNER BOX TOP (M7)											
141	1882302	BURNER BOX TOP (M8)											
151	1882014	BURNER BOX FRONT* (M5, M6)											
151	1882015	BURNER BOX FRONT* (M7)											
151	1882016	BURNER BOX FRONT* (M8)											
NS	13926100	GASKET KIT (M7)											
NS	1392699	GASKET KIT [OBSOLETE] (M5, M6)											

# Blower Assy



# Blower Assy

Ref. Part No: No:	Description:	Ref. Part No: No:	Description:
-------------------	--------------	-------------------	--------------

Image 1:

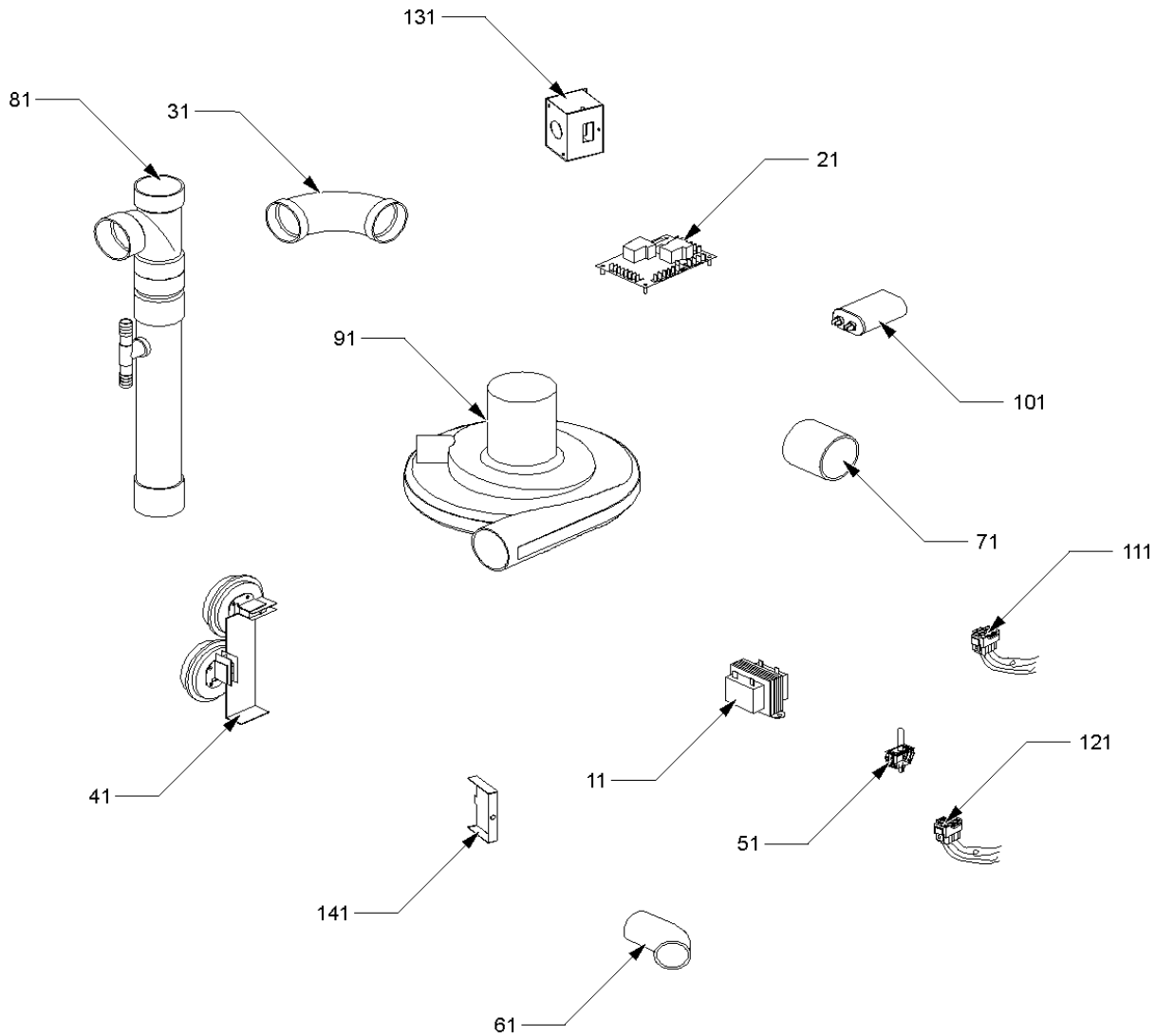
11	CAP100000370VAS	CAPACITOR 10/370V (M2, M3, M6, M7)
11	CAP125000370RPS	CAPACITOR 12.5/370V (M1, M5)
11	CAP150000370VAS	CAPACITOR 15/370V (M4, M8)
21	B1340020S	BLOWER MOTOR 1/2 HP, DIRECT DRIVE (M2, M3, M6, M7)
21	B1340021S	BLOWER MOTOR 1/3 HP, DIRECT DRIVE (M1, M5)
21	B1340022S	BLOWER MOTOR 3/4 HP, DIRECT DRIVE (M4, M8)
31	B1368047A	BLOWER WHEEL 10 X 10 (M3, M7)
31	B1368034S	BLOWER WHEEL 10 X 6 (M4, M8)
31	B1368046S	BLOWER WHEEL 10 X 6 CCW (M4, M8)
31	B1368016S	BLOWER WHEEL 10 X 8 (M1, M2, M5, M6)
41	B1376851	MOTOR MOUNT BAND (M4, M8)
51	B1376859	MOTOR MOUNTING ARM (M4, M8)
61	1839301	BLOWER HOUSING 10 X 6 (M4)
61	0271A00016S	BLOWER HOUSING ASSY 10 X 10 (M3, M8)
61	2539300S	BLOWER HOUSING ASSY w/o CUT-OFF 764730 (M4, M8)
61	1439391S	BLOWER HOUSING ASSY w/o CUT-OFF 764736 (M1, M2, M5, M6, M7)
71	1868237S	BLOWER ASSY [OBSOLETE] (M1, M5, M7)
71	1868238S	BLOWER ASSY [OBSOLETE] (M2, M6)
71	1868239S	BLOWER ASSY [OBSOLETE] (M3, M8)
71	1868240S	BLOWER ASSY [OBSOLETE] (M4)

Expanded Model Nomenclature

M1 - GUN050-2B
M2 - GUN075-3B
M3 - GUN100-4B
M4 - GUN125-5B
M5 - GUS050-2
M6 - GUS075-3
M7 - GUS100-4
M8 - GUS125-5

\* PART NO. 71 INCLUDES PARTS 11 THRU 61.

# Misc. Electrical & Hardware



# Misc. Electrical & Hardware

Ref. Part No:	No:	Description:	Ref. Part No:	No:	Description:
<i>Image 1:</i>					
11	B1141605	TRANSFORMER 120V TO 24V, 40 VA			
21	B1809904S	TIME FAN CONTROL W/FUSE			
31	B1810506	COMBUSTION AIR TERMINATION (M5, M6, M7)			
31	B1810507	COMBUSTION AIR TERMINATION [OBSOLETE] (M8)			
41	B1370107	AIR PRESSURE SWITCH (M1, M2, M3, M4)			
41	B1370130	AIR PRESSURE SWITCH (M5, M6)			
41	B1370131	AIR PRESSURE SWITCH (M7)			
41	B1370132	AIR PRESSURE SWITCH (M8)			
51	B1370819	DOOR SWITCH			
61	B1810403	RUBBER COUPLING			
71	B1810401	RUBBER SLEEVE COUPLING			
81	B1810500	VENT PIPE & DRAIN ASSY			
91	B1859002	VENT MOTOR & HOUSING*			
101	CAP050000370VAS	CAPACITOR 5/370V			
111	1368410	WIRE HARNESS FOR BLOWER (M5, M6, M7, M8)			
111	1368424	WIRE HARNESS FOR BLOWER (M1, M2, M3, M4)			
121	1368411	WIRE HARNESS FOR HEAT EXCHANGER (M5, M6, M7, M8)			
121	1368425	WIRE HARNESS FOR HEAT EXCHANGER (M1, M2, M3, M4)			
131	2514500	J-BOX			
141	2515500	J-BOX COVER			

## Expanded Model Nomenclature

- |                |
|----------------|
| M1 - GUN050-2B |
| M2 - GUN075-3B |
| M3 - GUN100-4B |
| M4 - GUN125-5B |
| M5 - GUS050-2  |
| M6 - GUS075-3  |
| M7 - GUS100-4  |
| M8 - GUS125-5  |

