



REPAIR PARTS

GUN/GUP SERIES Gas Furnaces

GUN040-2
GUN060-3
GUN075-3
GUN100-4
GUN125-5
GUP040-2
GUP050-2A
GUP060-3
GUP075-3A
GUP080-4
GUP100-4A
GUP100-5
GUP115-5
GUP120-5A

This manual is to be used by qualified technicians only.

© 1989-2008 Goodman Manufacturing Company, L.P. ♦ 5151 San Felipe, Suite 500 ♦ Houston, TX 77056

Important Information

Index

Functional Parts List	3
Illustration and Parts	4 - 13

Views shown are for parts illustrations only, not servicing procedures.

Text Codes:

AR - As Required

NA - Not Available

NS - Not Shown

00000000 - See Note

QTY - Quantity Example (QTY 3) (If Quantity not shown, Quantity = 1)

M - Model Example (M1) (If M Code not shown, then part is used on all Models)

Expanded Model Nomenclature:

Example M1 - Model#1 M2 - Model#2 M3 - Model#3

Goodman Manufacturing Company, L.P. is not responsible for personal injury or property damage resulting from improper service. Review all service information before beginning repairs.

Warranty service must be performed by an authorized technician, using authorized factory parts. If service is required after the warranty expires, Goodman Manufacturing Company, L.P. also recommends contacting an authorized technician and using authorized factory parts.

Goodman Manufacturing Company, L.P. reserves the right to discontinue, or change at any time, specifications or designs without notice or without incurring obligations.

For assistance within the U.S.A. contact:
Consumer Affairs Department
Goodman Manufacturing Company, L.P.
7401 Security Way
Houston, Texas 77040
877-254-4729-Telephone
713-863-2382-Facsimile

For assistance outside the U.S.A. contact:
International Division
Goodman Manufacturing Company, L.P.
7401 Security Way
Houston, Texas 77040
713-861-2500-Telephone
713-863-2382-Facsimile

Functional Parts

Part

No: Description:

Expanded Model Nomenclature

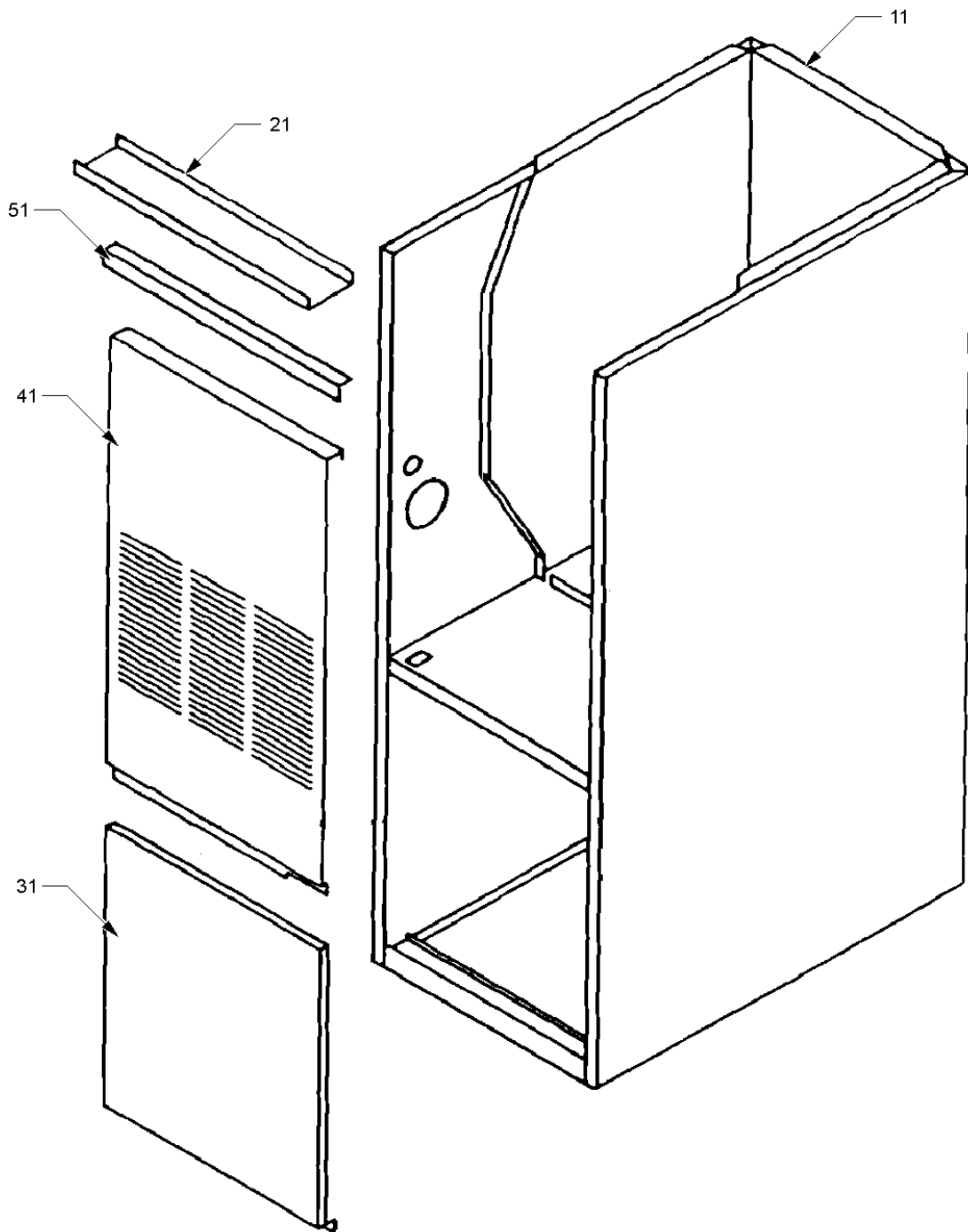
0130M00025S	24V RELAY (M6, M7, M8, M9, M10, M11, M12, M13, M14)
B1370737	BLOWER RELAY, SPDT
CAP200000370RPS	CAPACITOR 20/370V (M12)
CAP050000370VAS	CAPACITOR 5/370V (M1, M2, M3, M4, M5)
CAP050000370VAS	CAPACITOR 5/370V (M6, M7)
CAP075000370VAS	CAPACITOR 7.5/370V (M1, M2, M3, M4, M5, M8, M9, M10, M11, M13)
B1497204	ENERGY CUTOFF DEVICE 141°C
B1370121	FAN LIMIT CONTROL 11" [OBSOLETE] (M2, M3, M4, M6, M7, M13)
B1370118	FAN LIMIT CONTROL 5" [OBSOLETE] (M1, M5, M12, M14)
B1370120	FAN LIMIT CONTROL 8" [OBSOLETE] (M8, M9, M10, M11)
B1370108	FLAME ROLLOUT SWITCH, 300° (M1, M2, M3, M4, M5)
1370723S	MODULE
1370722S	MODULE
BI340004	MOTOR 1/2 HP, 4 SP (M2, M3, M4, M10, M11)
BI340003	MOTOR 1/3 HP, 4 SP (M1, M8, M9)
BI340001	MOTOR 1/5 HP, 4 SP (M6, M7)
BI340007	MOTOR 3/4 HP, 2 SP (M5, M13)
BI340006	MOTOR 3/4 HP, 3 SP (M12, M14)
B1256551	SEQUENCER 5 KW
B1141648	TRANSFORMER 40V [OBSOLETE]
B1859000	VENT MOTOR AND HOUSING (M6, M7, M8, M9, M10, M11, M12, M13, M14)
B1859001S	VENT MOTOR AND HOUSING (M1, M2, M3, M4, M5)

M1 - GUN040-2
M2 - GUN060-3
M3 - GUN075-3
M4 - GUN100-4
M5 - GUN125-5
M6 - GUP040-2
M7 - GUP050-2A
M8 - GUP060-3
M9 - GUP075-3A
M10 - GUP080-4
M11 - GUP100-4A
M12 - GUP100-5
M13 - GUP115-5
M14 - GUP120-5A

SPECIAL PARTS

RP-122A REPAIR PARTS MANUAL

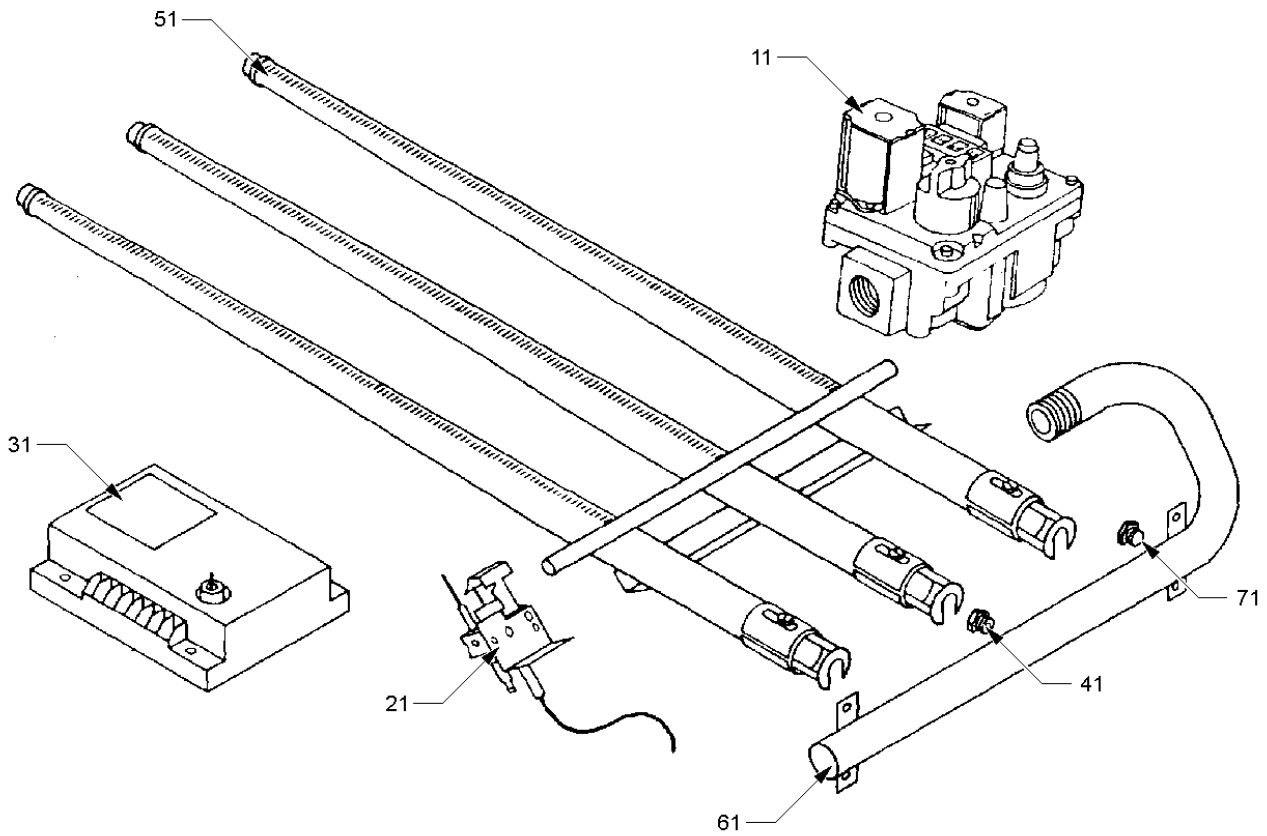
Cabinet Assy



Cabinet Assy

Ref. Part No:	No:	Description:	Ref. Part No:	No:	Description:
<i>Image 1:</i>			Expanded Model Nomenclature		
11	1816202	CASING ASSEMBLY (M12, M14)	M1	-	GUN040-2
11	1816208	CASING ASSEMBLY (M1, M2, M3)	M2	-	GUN060-3
11	1816209	CASING ASSEMBLY (M4)	M3	-	GUN075-3
11	1816210	CASING ASSEMBLY (M5)	M4	-	GUN100-4
11	1816200	CASING ASSEMBLY [OBSOLETE] (M6, M7, M8, M9)	M5	-	GUN125-5
11	1816201	CASING ASSEMBLY [OBSOLETE] (M10, M11)	M6	-	GUP040-2
11	1816203	CASING ASSEMBLY [OBSOLETE] (M13)	M7	-	GUP050-2A
21	1821900	TOP CHANNEL (M6, M7, M8, M9)	M8	-	GUP060-3
21	1821901	TOP CHANNEL (M10, M11)	M9	-	GUP075-3A
21	1821903	TOP CHANNEL (M13)	M10	-	GUP080-4
21	1822105S	TOP CHANNEL (M4)	M11	-	GUP100-4A
21	1822106S	TOP CHANNEL (M5)	M12	-	GUP100-5
21	1822108	TOP CHANNEL (M1, M2, M3)	M13	-	GUP115-5
21	1821902	TOP CHANNEL [OBSOLETE] (M12, M14)	M14	-	GUP120-5A
31	1822303P	BLOWER DOOR (M13)			
31	1822328S	BLOWER DOOR (M1, M2, M3)			
31	1822329S	BLOWER DOOR (M4)			
31	1822330S	BLOWER DOOR (M5)			
31	1822300P	BLOWER DOOR [OBSOLETE] (M6, M7, M8, M9)			
31	1822301	BLOWER DOOR [OBSOLETE] (M10, M11)			
31	1822302P	BLOWER DOOR [OBSOLETE] (M12, M14)			
41	1881300P	CONTROL ACCESS DOOR (M6, M7, M8, M9)			
41	1881302P	CONTROL ACCESS DOOR (M12, M14)			
41	1881303P	CONTROL ACCESS DOOR (M13)			
41	1881304P	CONTROL ACCESS DOOR (M1, M2, M3)			
41	1881312P	CONTROL ACCESS DOOR (M4)			
41	1881313P	CONTROL ACCESS DOOR (M5)			
41	1881301	CONTROL ACCESS DOOR [OBSOLETE] (M10, M11)			
51	1881400	TOP ANGLE (M6, M7, M8, M9)			
51	1881401	TOP ANGLE (M10, M11)			
51	1881402	TOP ANGLE (M12, M14)			
51	1881403	TOP ANGLE (M13)			
51	1881404	TOP ANGLE (M1, M2, M3)			
51	1881405	TOP ANGLE (M4)			
51	1881406	TOP ANGLE (M5)			

Gas Train



Gas Train

Ref. Part No: No:	Description:	Ref. Part No: No:	Description:
-------------------	--------------	-------------------	--------------

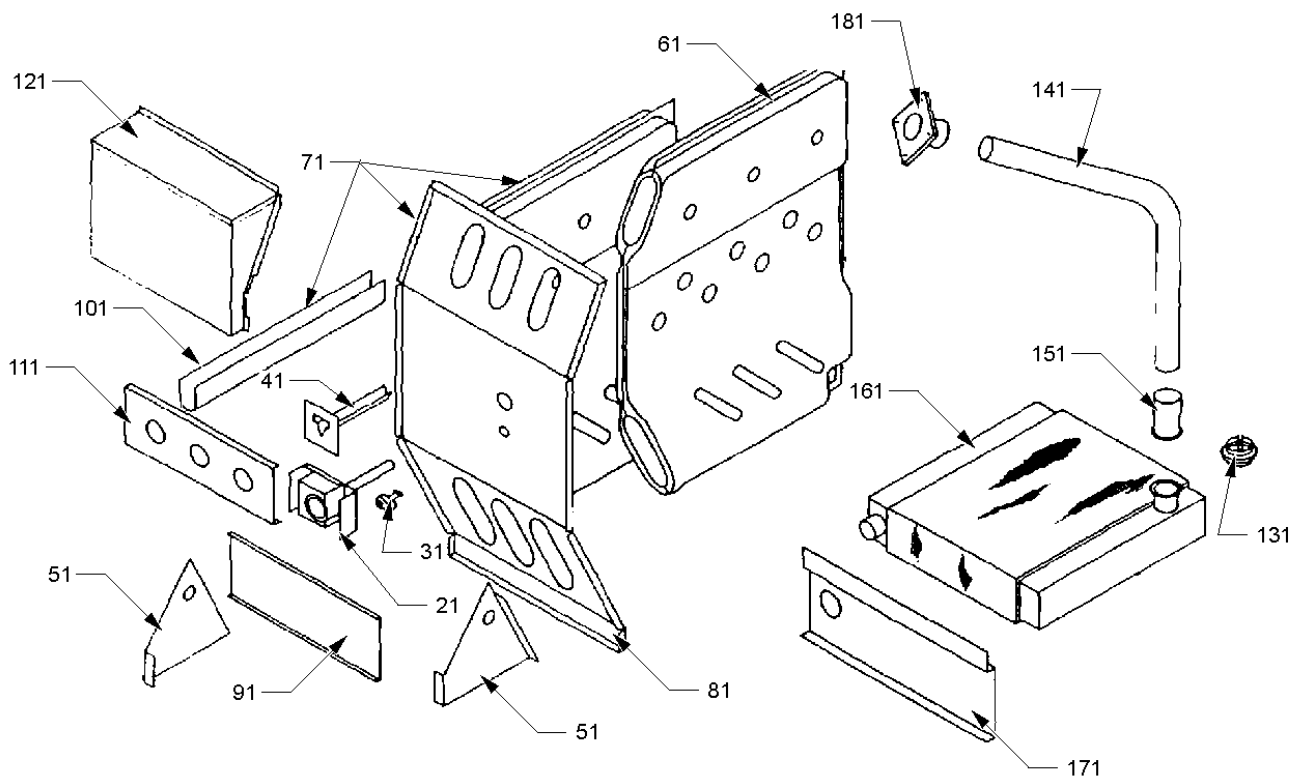
Image 1:

11	B1282607	GAS VALVE, HONEYWELL [OBSOLETE]
11	B1282606	GAS VALVE-W.R [OBSOLETE]
21	1401003S	PILOT ASSY
31	1370722S	MODULE
31	1370723S	MODULE
41	B1789344	BURNER ORIFICE #44 [OBSOLETE] (M7, M9, M11, M14)
41	B1789342	ORIFICE (M3, M4, M5)
41	B1789345	ORIFICE (M1, M2, M6, M8, M10, M12, M13)
51	B1822500S	BURNER 2 CELL (M1, M6)
51	B1822501S	BURNER 3 CELL (M2, M3, M7, M8, M9)
51	B1822507S	BURNER 4 CELL (M10)
51	B1822508S	BURNER 5 CELL (M4, M11, M12)
51	B1822509S	BURNER 6 CELL (M5, M13, M14)
61	B1826400	MANIFOLD 2 CL (M6, M7)
61	B1826401	MANIFOLD 3 CL (M1, M8, M9)
61	B1826402	MANIFOLD 4 CL (M2, M3, M10, M11)
61	B1826403	MANIFOLD 5 CL [OBSOLETE] (M4, M12, M14)
61	B1826404	MANIFOLD 6 CL [OBSOLETE] (M5, M13)
71	B1989300	MANIFOLD PLUG (M1, M2, M3, M4, M5)

Expanded Model Nomenclature

M1 - GUN040-2
M2 - GUN060-3
M3 - GUN075-3
M4 - GUN100-4
M5 - GUN125-5
M6 - GUP040-2
M7 - GUP050-2A
M8 - GUP060-3
M9 - GUP075-3A
M10 - GUP080-4
M11 - GUP100-4A
M12 - GUP100-5
M13 - GUP115-5
M14 - GUP120-5A

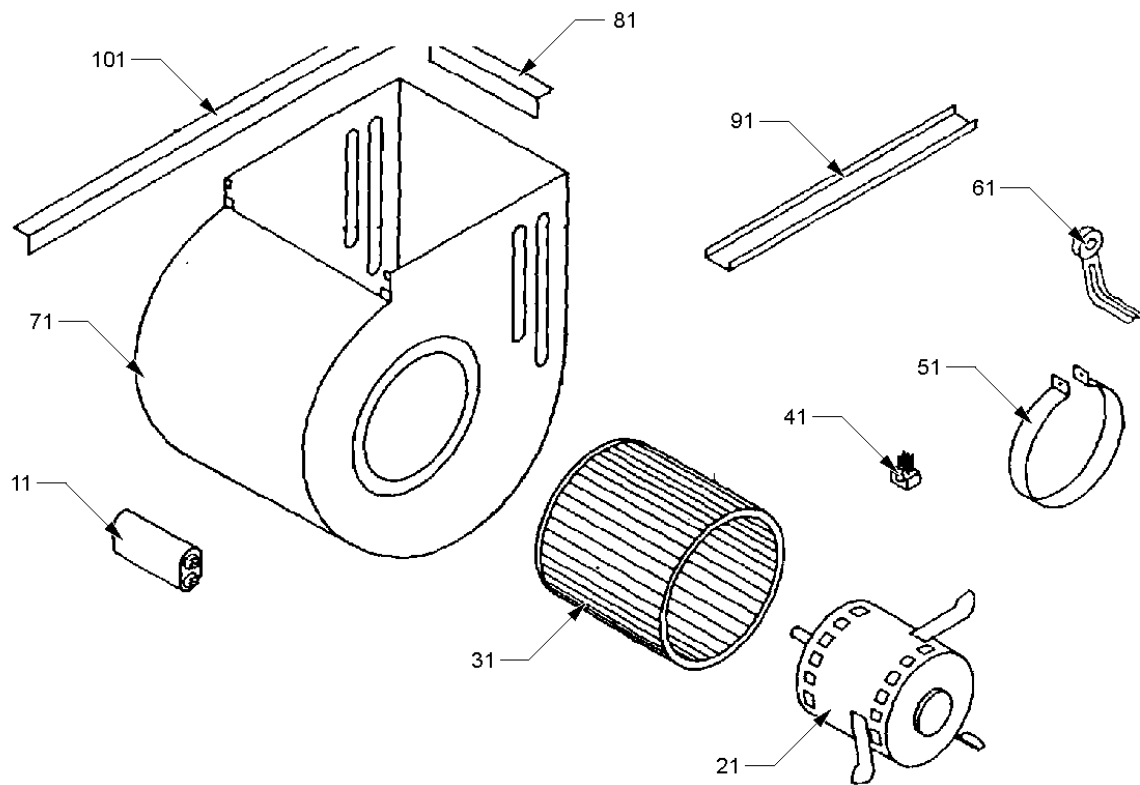
Heat Exchanger Assy



Heat Exchanger Assy

Ref. Part No:	No:	Description:	Ref. Part No:	No:	Description:														
<i>Image 1:</i>			<i>Image 1:</i>																
21	B1370121	FAN LIMIT CONTROL 11" [OBSOLETE] (M2, M3, M4, M6, M7, M13)	121	1881202	FLUE COLLECTOR (M12)														
21	B1370118	FAN LIMIT CONTROL 5" [OBSOLETE] (M1, M5, M12, M14)	121	1881203	FLUE COLLECTOR (M13)														
21	B1370120	FAN LIMIT CONTROL 8" [OBSOLETE] (M8, M9, M10, M11)	121	1881204	FLUE COLLECTOR (M7, M8, M9)														
31	B1497204	ENERGY CUTOFF DEVICE 141°C	121	1881207	FLUE COLLECTOR (M5)														
41	1807004S	SHIELD W/FAN LIMIT CONTROLS	121	1881205	FLUE COLLECTOR [OBSOLETE] (M1, M2, M3)														
51	1815902	MANIFOLD SUPPORT BRACKET - LH	121	1881206	FLUE COLLECTOR [OBSOLETE] (M4)														
51	1815901	MANIFOLD SUPPORT BRACKET - RH	121	1881208	FLUE COLLECTOR [OBSOLETE] (M14)														
61	18210HS	HEAT EXCHANGER CELL [OBSOLETE] (QTY AR)	131	1810001	CLAMP AND O-RING [OBSOLETE] (M1, M2, M3, M4, M5)														
71	0257F00068	HEAT EXCHANGER ASSY (M8, M9)	141	B1810202	TRANSFER TUBE (M1, M2, M3, M4, M5)														
71	1821211S	HEAT EXCHANGER ASSY (M12, M14)	151	B1810201	TRANSITION TUBE [OBSOLETE] (M1, M2, M3, M4, M5)														
71	1821228S	HEAT EXCHANGER ASSY (M1)	161	B1864601	SECONDARY COIL (M4)														
71	1821230S	HEAT EXCHANGER ASSY (M4)	161	B1864602	SECONDARY COIL (M5)														
71	1821231S	HEAT EXCHANGER ASSY (M5)	161	B1864600	SECONDARY COIL [OBSOLETE] (M1, M2, M3)														
71	1821232S	HEAT EXCHANGER ASSY (M2, M3, M6, M7)	171	1802804	DIVIDER PLATE (M1, M2, M3)														
71	1921205S	HEAT EXCHANGER ASSY (M13)	171	1802805	DIVIDER PLATE (M4)														
71	1921206S	HEAT EXCHANGER ASSY (M10, M11)	171	1802806	DIVIDER PLATE (M5)														
81	1821326	INNER FRONT PANEL (M4)	181	B1810300	UPPER TRANSITION TUBE (M1, M2, M3, M4, M5)														
81	1821327	INNER FRONT PANEL (M5)	NS	B1370108	FLAME ROLLOUT SWITCH, 300° (M1, M2, M3, M4, M5)														
81	1821300	INNER FRONT PANEL [OBSOLETE] (M2, M3)	Expanded Model Nomenclature																
81	1821301	INNER FRONT PANEL [OBSOLETE] (M8, M9)	<table border="1"> <tr><td>M1 - GUN040-2</td></tr> <tr><td>M2 - GUN060-3</td></tr> <tr><td>M3 - GUN075-3</td></tr> <tr><td>M4 - GUN100-4</td></tr> <tr><td>M5 - GUN125-5</td></tr> <tr><td>M6 - GUP040-2</td></tr> <tr><td>M7 - GUP050-2A</td></tr> <tr><td>M8 - GUP060-3</td></tr> <tr><td>M9 - GUP075-3A</td></tr> <tr><td>M10 - GUP080-4</td></tr> <tr><td>M11 - GUP100-4A</td></tr> <tr><td>M12 - GUP100-5</td></tr> <tr><td>M13 - GUP115-5</td></tr> <tr><td>M14 - GUP120-5A</td></tr> </table>			M1 - GUN040-2	M2 - GUN060-3	M3 - GUN075-3	M4 - GUN100-4	M5 - GUN125-5	M6 - GUP040-2	M7 - GUP050-2A	M8 - GUP060-3	M9 - GUP075-3A	M10 - GUP080-4	M11 - GUP100-4A	M12 - GUP100-5	M13 - GUP115-5	M14 - GUP120-5A
M1 - GUN040-2																			
M2 - GUN060-3																			
M3 - GUN075-3																			
M4 - GUN100-4																			
M5 - GUN125-5																			
M6 - GUP040-2																			
M7 - GUP050-2A																			
M8 - GUP060-3																			
M9 - GUP075-3A																			
M10 - GUP080-4																			
M11 - GUP100-4A																			
M12 - GUP100-5																			
M13 - GUP115-5																			
M14 - GUP120-5A																			
81	1821302	INNER FRONT PANEL [OBSOLETE] (M6, M7, M10, M11)																	
81	1821304	INNER FRONT PANEL [OBSOLETE] (M12, M14)																	
81	1821306	INNER FRONT PANEL [OBSOLETE] (M13)																	
81	1821324	INNER FRONT PANEL [OBSOLETE] (M1)																	
91	1822407	SECONDARY AIR DOOR (M6, M7)																	
91	1822408	SECONDARY AIR DOOR (M1, M8, M9)																	
91	1822409	SECONDARY AIR DOOR (M2, M3, M10, M11)																	
91	1822410	SECONDARY AIR DOOR (M4, M12, M14)																	
91	1822411	SECONDARY AIR DOOR (M5, M13)																	
101	1822800	FLUE BAFFLE (QTY AR)																	
111	1822819	FLUE RESTRICTOR (M12)																	
111	1822820	FLUE RESTRICTOR (M10, M11)																	
111	1822823	FLUE RESTRICTOR (M6)																	
111	1822824	FLUE RESTRICTOR (M8, M9)																	
111	1822825	FLUE RESTRICTOR (M13)																	
111	1822827	FLUE RESTRICTOR (M7)																	
111	1822828	FLUE RESTRICTOR (M14)																	
111	1824800S	FLUE RESTRICTOR (M1)																	
111	1824801S	FLUE RESTRICTOR (M2, M3)																	
111	1824803S	FLUE RESTRICTOR (M4, M5)																	
121	1881200	FLUE COLLECTOR (M6)																	
121	1881201	FLUE COLLECTOR (M10, M11)																	

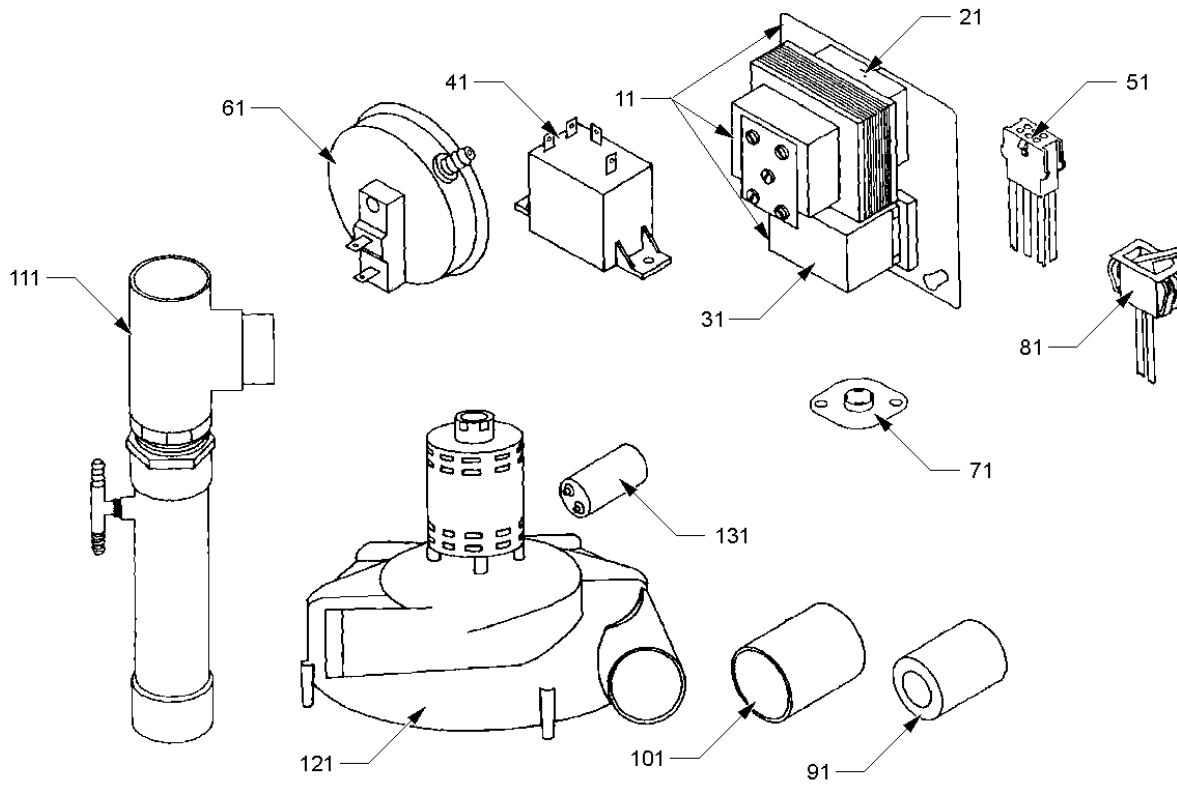
Blower Assy



Blower Assy

Ref. Part No:	Description:	Ref. Part No:	Description:
<i>Image 1:</i>		Expanded Model Nomenclature	
11	CAP200000370RPS CAPACITOR 20/370V (M12)	M1	GUN040-2
11	CAP050000370VAS CAPACITOR 5/370V (M6, M7)	M2	GUN060-3
11	CAP075000370VAS CAPACITOR 7.5/370V (M1, M2, M3, M4, M5, M8, M9, M10, M11, M13)	M3	GUN075-3
21	BI340004 MOTOR 1/2 HP, 4 SP (M2, M3, M4, M10, M11)	M4	GUN100-4
21	BI340003 MOTOR 1/3 HP, 4 SP (M1, M8, M9)	M5	GUN125-5
21	BI340001 MOTOR 1/5 HP, 4 SP (M6, M7)	M6	GUP040-2
21	BI340007 MOTOR 3/4 HP, 2 SP (M5, M13)	M7	GUP050-2A
21	BI340006 MOTOR 3/4 HP, 3 SP (M12, M14)	M8	GUP060-3
31	B1368047A BLOWER WHEEL 10 X 10 (M4)	M9	GUP075-3A
31	B1368034S BLOWER WHEEL 10 X 6 (M5, M8, M9, M13)	M10	GUP080-4
31	B1368016S BLOWER WHEEL 10 X 8 (M1, M2, M3, M10, M11)	M11	GUP100-4A
31	B1368000S BLOWER WHEEL 11 X 10 (M12, M14)	M12	GUP100-5
31	B1368042S BLOWER WHEEL 9 X 6 (M6, M7)	M13	GUP115-5
41	B1368253 MALE CONNECTOR PLUG (M1, M2, M4, M5, M6, M7, M8, M9, M10, M11, M12, M13, M14)	M14	GUP120-5A
51	B1376851 MOTOR MOUNT BAND (M5, M12, M13, M14)	BLOWER ASSY CONTAINS ITEMS 11 thru 91 and 101.	
61	B1376853 MOTOR MOUNT ARM (M12, M13, M14)		
61	B1376859 MOTOR MOUNT ARM (M5)		
71	1839301 BLOWER HOUSING ASSY (10 X 6) (M5, M13)		
71	0271A00016S BLOWER HOUSING ASSY 10 X 10 (M4, M12, M14)		
71	1439389S BLOWER HOUSING ASSY 9 X 6 (M6, M7)		
71	2539300S BLOWER HOUSING ASSY w/o CUT-OFF 764730 (M8, M9)		
71	1439391S BLOWER HOUSING ASSY w/o CUT-OFF 764736 (M1, M2, M3, M10, M11)		
81	1717103 BLOWER MOUNTING ANGLE - REAR (M1, M2, M3, M4, M6, M7, M8, M9, M10, M11, M12, M14)		
81	1817104 BLOWER MOUNTING ANGLE - REAR (M5, M13)		
91	1817103 BLOWER TIE CHANNEL (M5, M14)		
101	2517100 BLOWER MOUNTING ANGLES (QTY 2)		
NS	1868201S BLOWER ASSY (10 X 10) [OBSOLETE] (M4)		
NS	1868200S BLOWER ASSY (10 X 6) [OBSOLETE] (M5, M13)		
NS	1868202S BLOWER ASSY (10 X 6) [OBSOLETE] (M8, M9)		
NS	1868204S BLOWER ASSY (10 X 8) [OBSOLETE] (M2, M3, M10, M11)		
NS	1868205S BLOWER ASSY (10 X 8) [OBSOLETE] (M1)		
NS	1868216S BLOWER ASSY (11 X 10) [OBSOLETE] (M12, M14)		
NS	1868203S BLOWER ASSY (9 X 6) [OBSOLETE] (M6, M7)		

Misc. Electrical & Hardware



Misc. Electrical & Hardware

Ref. Part No:	Part No:	Description:	Ref. Part No:	Part No:	Description:
---------------	----------	--------------	---------------	----------	--------------

Image 1:

11	B1141702	LOAD CENTER			
21	B1141648	TRANSFORMER 40V [OBSOLETE]			
31	B1370737	BLOWER RELAY, SPDT			
41	0130M00025S	24V RELAY (M6, M7, M8, M9, M10, M11, M12, M13, M14)			
41	B1256551	SEQUENCER 5 KW			
51	1368400	CAP CONNECTOR ASSY (M6, M7, M8, M9, M10, M11)			
51	1368401	CAP CONNECTOR ASSY (M12, M14)			
51	1368402	CAP CONNECTOR ASSY (M13)			
51	1368406	CAP CONNECTOR ASSY (M1, M2, M3, M4)			
51	1368407	CAP CONNECTOR ASSY (M5)			
61	B1370107	AIR PRESSURE SWITCH (M1, M2, M3, M4, M5)			
61	B1370126	AIR PRESSURE SWITCH (M6, M7, M8, M9, M10, M11, M12, M13, M14)			
71	B1370109	STACK OVERTEMP SWITCH 150°F (M1, M2, M3, M4, M5)			
81	B1370819	DOOR INTERLOCK SWITCH (M6, M7, M8, M9, M10, M11, M12, M13, M14)			
81	B1370816	DOOR INTERLOCK SWITCH [OBSOLETE] (M1, M2, M3, M4, M5)			
91	B1810400	RUBBER COUPLING (M1, M2, M3, M4, M5)			
101	B1810401	RUBBER SLEEVE COUPLING (M1, M2, M3, M4, M5)			
111	B1810500	VENT PIPE AND DRAIN ASSY (M1, M2, M3, M4, M5)			
121	B1859000	VENT MOTOR AND HOUSING (M6, M7, M8, M9, M10, M11, M12, M13, M14)			
121	B1859001S	VENT MOTOR AND HOUSING (M1, M2, M3, M4, M5)			
131	CAP050000370VAS	CAPACITOR 5/370V (M1, M2, M3, M4, M5)			

Expanded Model Nomenclature

M1 - GUN040-2
M2 - GUN060-3
M3 - GUN075-3
M4 - GUN100-4
M5 - GUN125-5
M6 - GUP040-2
M7 - GUP050-2A
M8 - GUP060-3
M9 - GUP075-3A
M10 - GUP080-4
M11 - GUP100-4A
M12 - GUP100-5
M13 - GUP115-5
M14 - GUP120-5A

