



REPAIR PARTS

GU*/GUE/GUH*/GUX Gas Furnaces

GU050-2
GU075-2
GU075-3
GU075-4
GU100-2
GU100-3
GU100-4
GU125-3
GU125-4
GU125-5A
GU150-5
GUE040-3
GUE060-3
GUE080-4
GUE100-5
GUE120-5
GUH075
GUH100
GUH075
GUH100
GUI050-2
GUI075-2
GUI075-3
GUI075-4
GUI100-2
GUI100-3
GUI100-4
GUI125-3
GUI125-4
GUI125-5A
GUI150-5
GUX040-3
GUX060-3
GUX080-4
GUX100-5
GUX120-5

This manual is to be used by qualified technicians only.

© 1989-2008 Goodman Manufacturing Company, L.P. ♦ 5151 San Felipe, Suite 500 ♦ Houston, TX 77056

Important Information

Index

Functional Parts List	3
Illustration and Parts	4 - 13

Views shown are for parts illustrations only, not servicing procedures.

Text Codes:

AR - As Required

NA - Not Available

NS - Not Shown

00000000 - See Note

QTY - Quantity Example (QTY 3) (If Quantity not shown, Quantity = 1)

M - Model Example (M1) (If M Code not shown, then part is used on all Models)

Expanded Model Nomenclature:

Example M1 - Model#1 M2 - Model#2 M3 - Model#3

Goodman Manufacturing Company, L.P. is not responsible for personal injury or property damage resulting from improper service. Review all service information before beginning repairs.

Warranty service must be performed by an authorized technician, using authorized factory parts. If service is required after the warranty expires, Goodman Manufacturing Company, L.P. also recommends contacting an authorized technician and using authorized factory parts.

Goodman Manufacturing Company, L.P. reserves the right to discontinue, or change at any time, specifications or designs without notice or without incurring obligations.

For assistance within the U.S.A. contact:
Consumer Affairs Department
Goodman Manufacturing Company, L.P.
7401 Security Way
Houston, Texas 77040
877-254-4729-Telephone
713-863-2382-Facsimile

For assistance outside the U.S.A. contact:
International Division
Goodman Manufacturing Company, L.P.
7401 Security Way
Houston, Texas 77040
713-861-2500-Telephone
713-863-2382-Facsimile

Functional Parts

Part

No: Description:

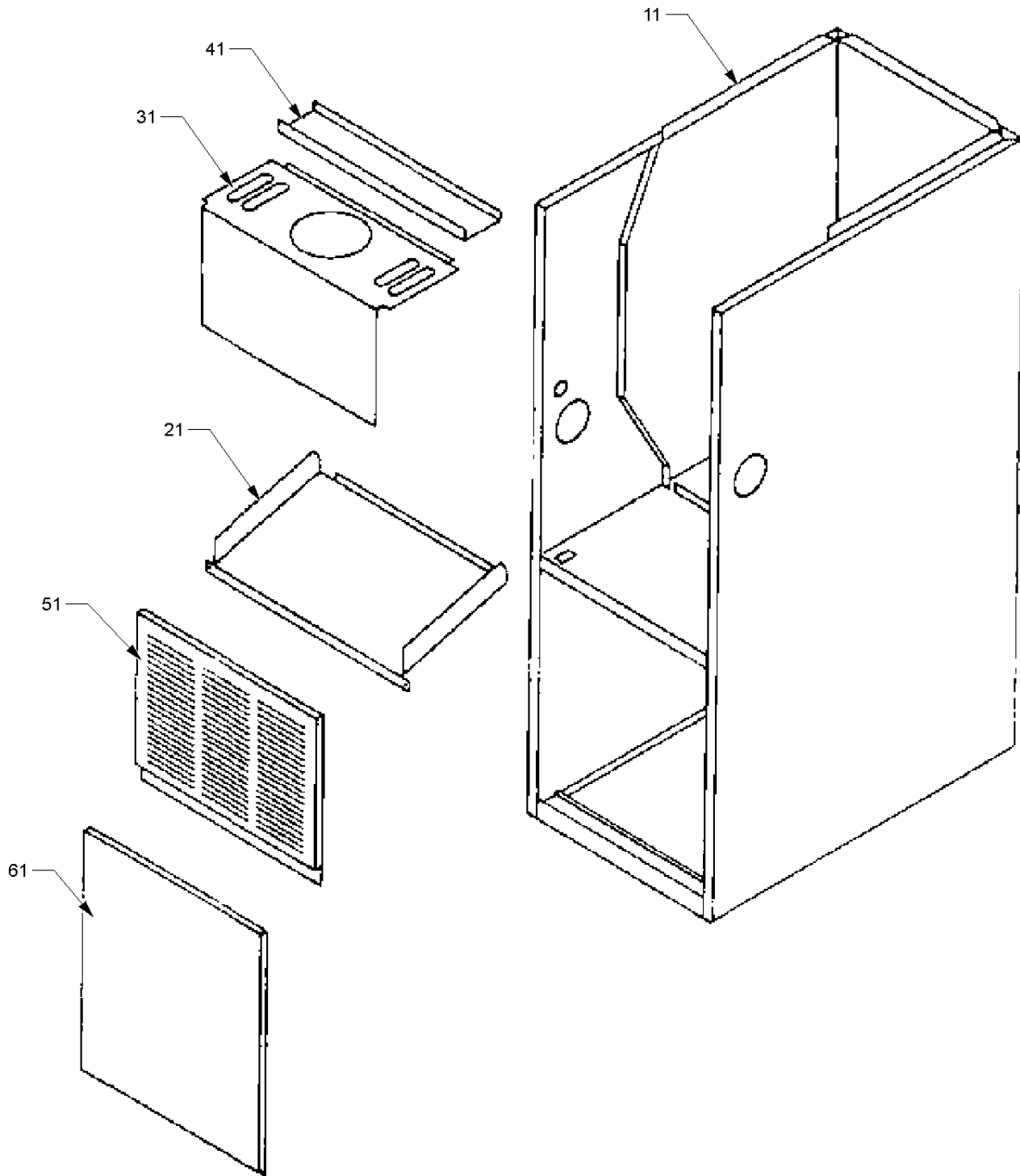
Expanded Model Nomenclature

B1340020S	BLOWER MOTOR 1/2 HP, DIRECT DRIVE (M4, M7, M9, M14, M24, M27, M29, M34)	M1 - GU050-2
B1340002S	BLOWER MOTOR 1/3 HP, 4 SP (SHADED POLE) (M3, M5, M23, M25)	M2 - GU075-2
B1340021S	BLOWER MOTOR 1/3 HP, DIRECT DRIVE (M6, M8, M12, M13, M26, M28, M32, M33)	M3 - GU075-3
B1340001S	BLOWER MOTOR 1/5 HP, 4 SP (SHADED POLE) (M1, M21)	M4 - GU075-4
B1340000	BLOWER MOTOR 1/6 HP, 2 SP (SHADED POLE) (M2, M17, M18, M19, M20, M22)	M5 - GU100-2
B1340022S	BLOWER MOTOR 3/4 HP, DIRECT DRIVE (M11, M16, M31, M36)	M6 - GU100-3
B1340023S	BLOWER MOTOR 3/4 HP, DIRECT DRIVE (M10, M15, M30, M35)	M7 - GU100-4
B1370737	BLOWER RELAY (M1, M2, M3, M4, M5, M6, M7, M8, M9, M10, M11, M12, M13, M14, M15, M16, M21, M22, M23, M24, M25, M26, M27, M28, M29, M30, M31, M32, M33, M34, M35, M36)	M8 - GU125-3
CAP200000370RPS	CAPACITOR 20/370V (M10, M15, M30, M35)	M9 - GU125-4
CAP030000370VAS	CAPACITOR 7.5/370V (M4, M6, M7, M8, M9, M11, M12, M13, M14, M16, M24, M26, M27, M28, M29, M31, M32, M33, M34, M36)	M10 - GU125-5A
B1497204	ENERGY CUT-OFF DEVICE 140°C	M11 - GU150-5
B1370121	FAN LIMIT CONTROL 11" [OBSOLETE] (M1, M11, M12, M16, M21, M31, M32, M36)	M12 - GUE040-3
B1370118	FAN LIMIT CONTROL 5" [OBSOLETE] (M4, M5, M6, M7, M10, M13, M24, M25, M26, M27, M30, M33)	M13 - GUE060-3
B1370120	FAN LIMIT CONTROL 8" [OBSOLETE] (M2, M3, M8, M9, M14, M15, M17, M18, M19, M20, M22, M23, M28, M29, M34, M35)	M14 - GUE080-4
B1370102	FLAME ROLLOUT SWITCH 225°F (M12, M13, M32, M33)	M15 - GUE100-5
B1370106	FLAME ROLLOUT SWITCH 275°F (M1, M3, M4, M16, M21, M23, M24, M36)	M16 - GUE120-5
B1370108	FLAME ROLLOUT SWITCH 300° (M5, M6, M7, M11, M15, M25, M26, M27, M31, M35)	M17 - GUH075
B1370110	FLAME ROLLOUT SWITCH 330°F (M2, M8, M9, M10, M14, M17, M18, M19, M20, M22, M28, M29, M30, M34)	M18 - GUH100
B1141701	TRANSFORMER 20V (M17, M18, M19, M20)	M19 - GUHI075
B1141648	TRANSFORMER 40V [OBSOLETE] (M1, M2, M3, M4, M5, M6, M7, M8, M9, M10, M11, M12, M13, M14, M15, M16, M21, M22, M23, M24, M25, M26, M27, M28, M29, M30, M31, M32, M33, M34, M35, M36)	M20 - GUHI100
		M21 - GUI050-2
		M22 - GUI075-2
		M23 - GUI075-3
		M24 - GUI075-4
		M25 - GUI100-2
		M26 - GUI100-3
		M27 - GUI100-4
		M28 - GUI125-3
		M29 - GUI125-4
		M30 - GUI125-5A
		M31 - GUI150-5
		M32 - GUX040-3
		M33 - GUX060-3
		M34 - GUX080-4
		M35 - GUX100-5
		M36 - GUX120-5

SPECIAL PARTS

RP-123A REPAIR PARTS MANUAL

Casing



Casing

**Ref. Part
No: No:**

Description:

**Ref. Part
No: No:**

Description:

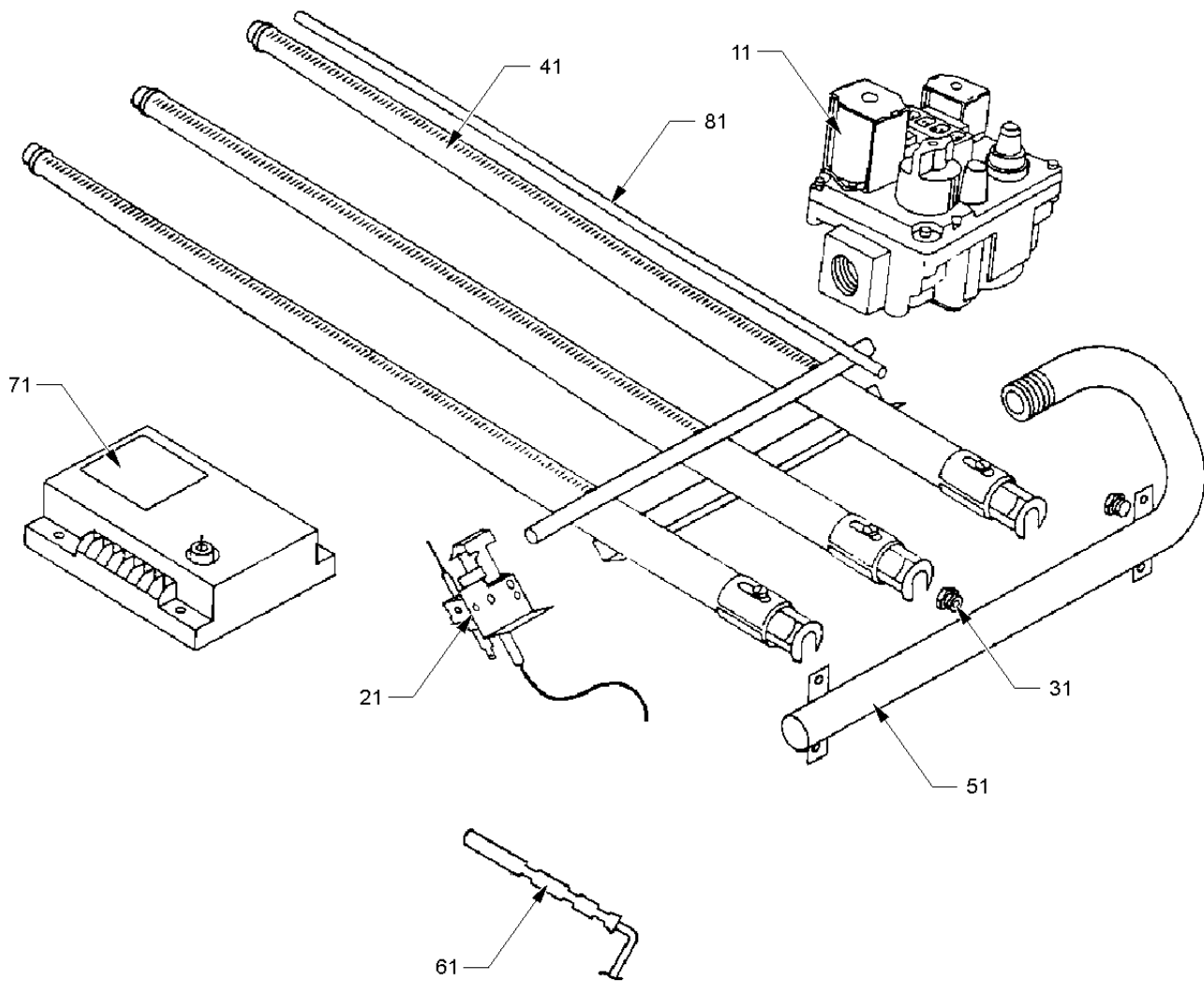
Image 1:

11	1816202	CASING ASSEMBLY (M8, M9, M10, M15, M28, M29, M30, M35)
11	1816200	CASING ASSEMBLY [OBSOLETE] (M1, M2, M3, M12, M13, M17, M19, M21, M22, M23, M32, M33)
11	1816201	CASING ASSEMBLY [OBSOLETE] (M4, M5, M6, M7, M14, M18, M20, M24, M25, M26, M27, M34)
11	1816203	CASING ASSEMBLY [OBSOLETE] (M11, M16, M31, M36)
21	1801401P	DIVERTER SHELF (M4, M5, M6, M7, M14, M18, M20, M24, M25, M26, M27, M34)
21	1801402P	DIVERTER SHELF (M8, M9, M10, M15, M28, M29, M30, M35)
21	1801403P	DIVERTER SHELF (M11, M16, M31, M36)
21	1801400	DIVERTER SHELF [OBSOLETE] (M1, M2, M3, M12, M13, M17, M19, M21, M22, M23, M32, M33)
31	18220100	UPPER & TOP PANEL (M1, M2, M3, M12, M13, M17, M19, M21, M22, M23, M32, M33)
31	18220101	UPPER & TOP PANEL (M4, M5, M6, M7, M14, M18, M20, M24, M25, M26, M27, M34)
31	18220102	UPPER & TOP PANEL (M8, M9, M10, M15, M28, M29, M30, M35)
31	18220103	UPPER & TOP PANEL (M11, M16, M31, M36)
41	1821900	TOP CHANNEL (M1, M2, M3, M12, M13, M17, M19, M21, M22, M23, M32, M33)
41	1821901	TOP CHANNEL (M4, M5, M6, M7, M14, M18, M20, M24, M25, M26, M27, M34)
41	1821903	TOP CHANNEL (M11, M16, M31, M36)
41	1821902	TOP CHANNEL [OBSOLETE] (M8, M9, M10, M15, M28, M29, M30, M35)
51	1822200P	CONTROL ACCESS DOOR (M1, M2, M3, M12, M13, M17, M19, M21, M22, M23, M32, M33)
51	1822201P	CONTROL ACCESS DOOR (M4, M5, M6, M7, M14, M18, M20, M24, M25, M26, M27, M34)
51	1822203P	CONTROL ACCESS DOOR (M11, M16, M31, M36)
51	1822202	CONTROL ACCESS DOOR [OBSOLETE] (M8, M9, M10, M15, M28, M29, M30, M35)
61	1822303P	BLOWER DOOR (M11, M16, M31, M36)
61	1822300P	BLOWER DOOR [OBSOLETE] (M1, M2, M3, M12, M13, M17, M19, M21, M22, M23, M32, M33)
61	1822301	BLOWER DOOR [OBSOLETE] (M4, M5, M6, M7, M14, M18, M20, M24, M25, M26, M27, M34)
61	1822302P	BLOWER DOOR [OBSOLETE] (M8, M9, M10, M15, M28, M29, M30, M35)

Expanded Model Nomenclature

M1 - GU050-2
M2 - GU075-2
M3 - GU075-3
M4 - GU075-4
M5 - GU100-2
M6 - GU100-3
M7 - GU100-4
M8 - GU125-3
M9 - GU125-4
M10 - GU125-5A
M11 - GU150-5
M12 - GUE040-3
M13 - GUE060-3
M14 - GUE080-4
M15 - GUE100-5
M16 - GUE120-5
M17 - GUH075
M18 - GUH100
M19 - GUHI075
M20 - GUHI100
M21 - GUI050-2
M22 - GUI075-2
M23 - GUI075-3
M24 - GUI075-4
M25 - GUI100-2
M26 - GUI100-3
M27 - GUI100-4
M28 - GUI125-3
M29 - GUI125-4
M30 - GUI125-5A
M31 - GUI150-5
M32 - GUX040-3
M33 - GUX060-3
M34 - GUX080-4
M35 - GUX100-5
M36 - GUX120-5

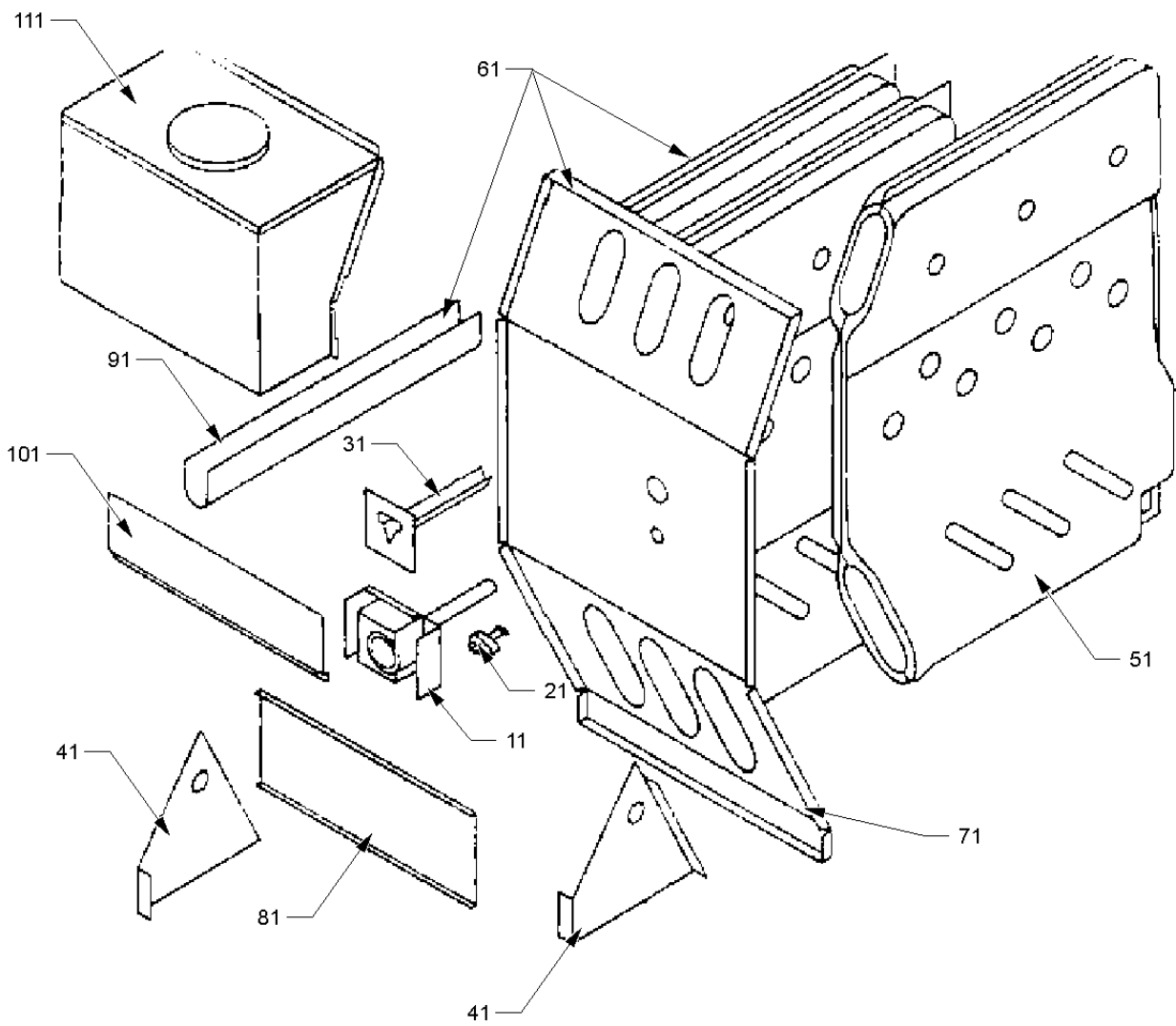
Gas Train



Gas Train

Ref. Part No:	No:	Description:	Ref. Part No:	Description:
<i>Image 1:</i>			Expanded Model Nomenclature	
11	B1282602	GAS VALVE - HONEYWELL (M1, M2, M3, M4, M5, M6, M7, M8, M9, M10, M11, M17, M18)	M1 -	GU050-2
11	B1282607	GAS VALVE, HONEYWELL [OBSOLETE] (M12, M13, M14, M15, M16, M19, M20, M21, M22, M23, M24, M25, M26, M27, M28, M29, M30, M31, M32, M33, M34, M35, M36)	M2 -	GU075-2
11	B1282606	GAS VALVE-W.R [OBSOLETE] (M12, M13, M14, M15, M16, M19, M20, M21, M22, M23, M24, M25, M26, M27, M28, M29, M30, M31, M32, M33, M34, M35, M36)	M3 -	GU075-3
21	1401000S	PILOT ASSY (M1, M2, M3, M4, M5, M6, M7, M8, M9, M10, M11, M17, M18)	M4 -	GU075-4
21	1401003S	PILOT ASSY (M19, M20, M21, M22, M23, M24, M25, M26, M27, M28, M29, M30, M31)	M5 -	GU100-2
21	B1401003S	PILOT ASSY (M12, M13, M14, M15, M16, M32, M33, M34, M35, M36)	M6 -	GU100-3
31	B1789342	ORIFICE (M1, M2, M3, M4, M5, M6, M7, M8, M9, M10, M11, M17, M18, M19, M20, M21, M22, M23, M24, M25, M26, M27, M28, M29, M30, M31)	M7 -	GU100-4
31	B1789345	ORIFICE (M12, M13, M14, M15, M16, M32, M33, M34, M35, M36)	M8 -	GU125-3
41	B1822500S	BURNER TUBE (M1, M5, M6, M7, M8, M9, M10, M12, M14, M15, M18, M20, M21, M25, M26, M27, M28, M29, M30)	M9 -	GU125-4
41	B1822501S	BURNER TUBE (M2, M3, M4, M11, M13, M16, M17, M19, M22, M23, M24, M31, M33, M36)	M10 -	GU125-5A
41	B1822502	BURNER TUBE (LO NOx) (M32, M34, M35)	M11 -	GU150-5
51	B1826400	MANIFOLD 2 CL (M1, M12, M21, M32)	M12 -	GUE040-3
51	B182251S	MANIFOLD 3 CL (M2, M3, M4, M17)	M13 -	GUE060-3
51	B1826401	MANIFOLD 3 CL (M13, M19, M22, M23, M24, M33)	M14 -	GUE080-4
51	B1826402	MANIFOLD 4 CL (M5, M6, M7, M14, M18, M20, M25, M26, M27, M34)	M15 -	GUE100-5
51	B1826403	MANIFOLD 5 CL [OBSOLETE] (M8, M9, M10, M15, M28, M29, M30, M35)	M16 -	GUE120-5
51	B1826404	MANIFOLD 6 CL [OBSOLETE] (M11, M16, M31, M36)	M17 -	GUH075
61	B1172600	THERMOCOUPLE (M1, M2, M3, M4, M5, M6, M7, M8, M9, M10, M11, M17, M18)	M18 -	GUH100
71	B1370724	IGNITION MODULE 1003-300 (M12, M13, M14, M15, M16, M19, M20, M21, M22, M23, M24, M25, M26, M27, M28, M29, M30, M31, M32, M33, M34, M35, M36)	M19 -	GUHI075
81	B1811200	LO NOx ROD [OBSOLETE] (M32, M33, M34, M35, M36)	M20 -	GUHI100
			M21 -	GUI050-2
			M22 -	GUI075-2
			M23 -	GUI075-3
			M24 -	GUI075-4
			M25 -	GUI100-2
			M26 -	GUI100-3
			M27 -	GUI100-4
			M28 -	GUI125-3
			M29 -	GUI125-4
			M30 -	GUI125-5A
			M31 -	GUI150-5
			M32 -	GUX040-3
			M33 -	GUX060-3
			M34 -	GUX080-4
			M35 -	GUX100-5
			M36 -	GUX120-5

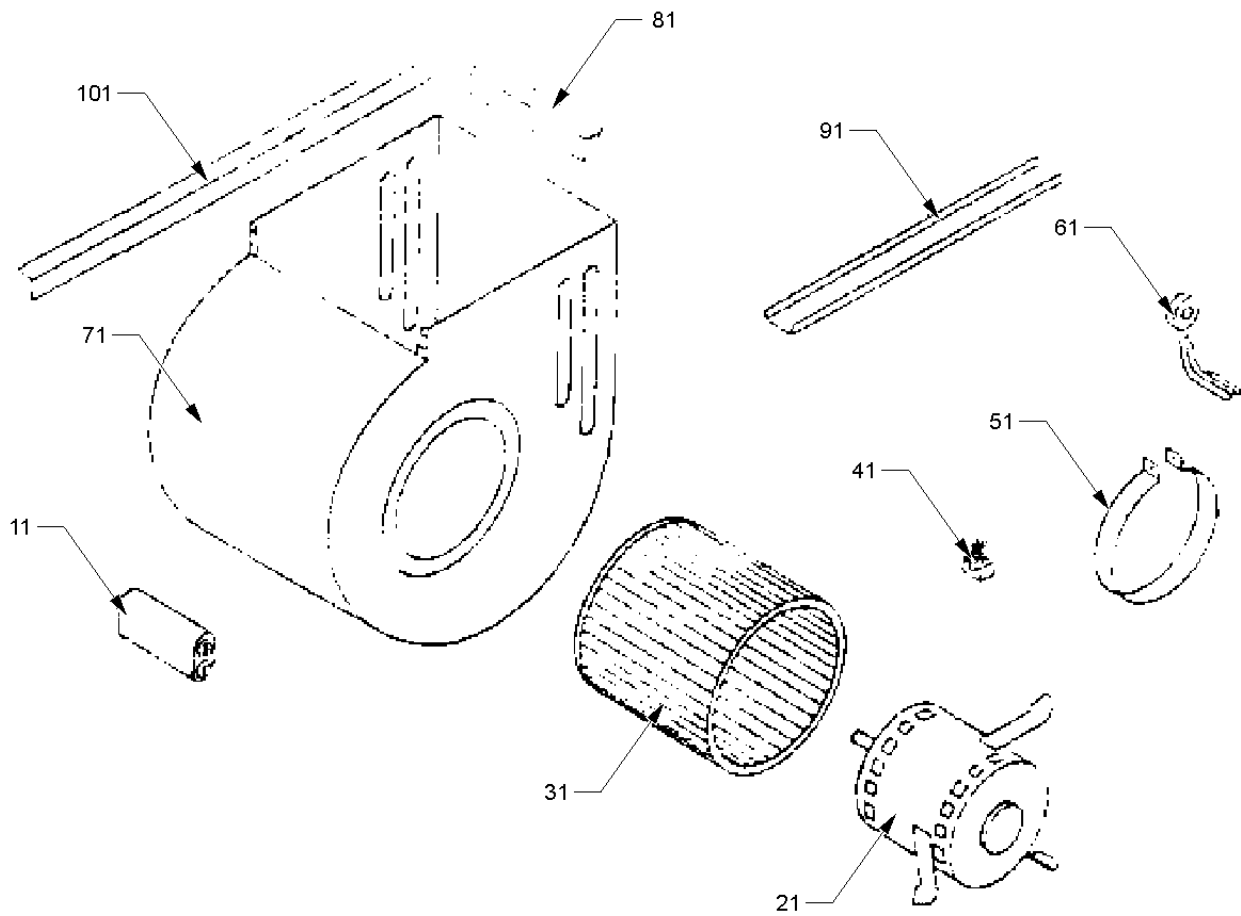
Heat Exchanger Assy



Heat Exchanger Assy

Ref. Part No:	No:	Description:	Ref. Part No:	No:	Description:
<i>Image 1:</i>			<i>Image 1:</i>		
11	B1370121	FAN LIMIT CONTROL 11" [OBSOLETE] (M1, M11, M12, M16, M21, M31, M32, M36)	111	1801305	DRAFT DIVERTER [OBSOLETE] (M14, M34)
11	B1370118	FAN LIMIT CONTROL 5" [OBSOLETE] (M4, M5, M6, M7, M10, M13, M24, M25, M26, M27, M30, M33)	Expanded Model Nomenclature		
11	B1370120	FAN LIMIT CONTROL 8" [OBSOLETE] (M2, M3, M8, M9, M14, M15, M17, M18, M19, M20, M22, M23, M28, M29, M34, M35)	M1	GU050-2	
21	B1497204	ENERGY CUT-OFF DEVICE 140°C	M2	GU075-2	
31	1807004S	SHIELD W/FAN LIMIT CONTROLS	M3	GU075-3	
41	1815902	MANIFOLD SUPPORT BRACKET - LH	M4	GU075-4	
41	1815901	MANIFOLD SUPPORT BRACKET - RH	M5	GU100-2	
51	18210HS	HEAT EXCHANGER CELL (QTY AR)	M6	GU100-3	
61	0257F00068	HEAT EXCHANGER ASSY (M2, M3, M13, M17, M19, M22, M23, M33)	M7	GU100-4	
61	1821211S	HEAT EXCHANGER ASSY (M8, M9, M10, M15, M28, M29, M30, M35)	M8	GU125-3	
61	1821232S	HEAT EXCHANGER ASSY (M1, M12, M21, M32)	M9	GU125-4	
61	1921205S	HEAT EXCHANGER ASSY (M11, M16, M31, M36)	M10	GU125-5A	
61	0257F00070	SUB-ASSY, HEAT EXCHANGER 3 CL 17" (M4, M24)	M11	GU150-5	
61	0257F00075	SUB-ASSY, HEAT EXCHANGER 4 CL 17" (M5, M6, M7, M14, M18, M20, M25, M26, M27, M34)	M12	GUE040-3	
71	1821300	INNER FRONT PANEL (M1, M12, M21, M32)	M13	GUE060-3	
71	1821301	INNER FRONT PANEL [OBSOLETE] (M2, M3, M13, M17, M19, M22, M23, M33)	M14	GUE080-4	
71	1821302	INNER FRONT PANEL [OBSOLETE] (M4, M24)	M15	GUE100-5	
71	1821304	INNER FRONT PANEL [OBSOLETE] (M8, M9, M10, M15, M28, M29, M30, M35)	M16	GUE120-5	
71	1821306	INNER FRONT PANEL [OBSOLETE] (M11, M16, M31, M36)	M17	GUH075	
71	1821503	INNER FRONT PANEL [OBSOLETE] (M5, M6, M7, M14, M18, M20, M25, M26, M27, M34)	M18	GUH100	
81	1822407	SECONDARY AIR DOOR (M1, M12, M21, M32)	M19	GUHI075	
81	1822408	SECONDARY AIR DOOR (M2, M3, M4, M13, M17, M19, M22, M23, M24, M33)	M20	GUHI100	
81	1822409	SECONDARY AIR DOOR (M5, M6, M7, M14, M18, M20, M25, M26, M27, M34)	M21	GUI050-2	
81	1822410	SECONDARY AIR DOOR (M8, M9, M10, M15, M28, M29, M30, M35)	M22	GUI075-2	
81	1822411	SECONDARY AIR DOOR (M11, M16, M31, M36)	M23	GUI075-3	
91	1822800	FLUE BAFFLE (QTY AR)	M24	GUI075-4	
101	1822801	FLUE RESTRICTOR (M1, M21)	M25	GUI100-2	
101	1822802	FLUE RESTRICTOR (M2, M3, M4, M17, M19, M22, M23, M24)	M26	GUI100-3	
101	1822804	FLUE RESTRICTOR (M5, M6, M7, M18, M20, M25, M26, M27)	M27	GUI100-4	
101	1822805	FLUE RESTRICTOR (M8, M9, M10, M28, M29, M30)	M28	GUI125-3	
101	1822807	FLUE RESTRICTOR (M11, M31)	M29	GUI125-4	
101	1822808	FLUE RESTRICTOR (M12, M32)	M30	GUI125-5A	
101	1822809	FLUE RESTRICTOR (M13, M33)	M31	GUI150-5	
101	1822810	FLUE RESTRICTOR (M14, M34)	M32	GUX040-3	
101	1822811	FLUE RESTRICTOR (M15, M35)	M33	GUX060-3	
101	1822812	FLUE RESTRICTOR (M16, M36)	M34	GUX080-4	
111	1801303	DRAFT DIVERTER (M5, M6, M7, M18, M20, M25, M26, M27)	M35	GUX100-5	
111	1801304	DRAFT DIVERTER (M8, M9, M10, M15, M28, M29, M30, M35)	M36	GUX120-5	
111	1801306	DRAFT DIVERTER (M11, M16, M31, M36)			
111	1801301	DRAFT DIVERTER [OBSOLETE] (M1, M2, M3, M4, M12, M13, M17, M19, M21, M22, M23, M24, M31, M32, M33)			

Blower Assy

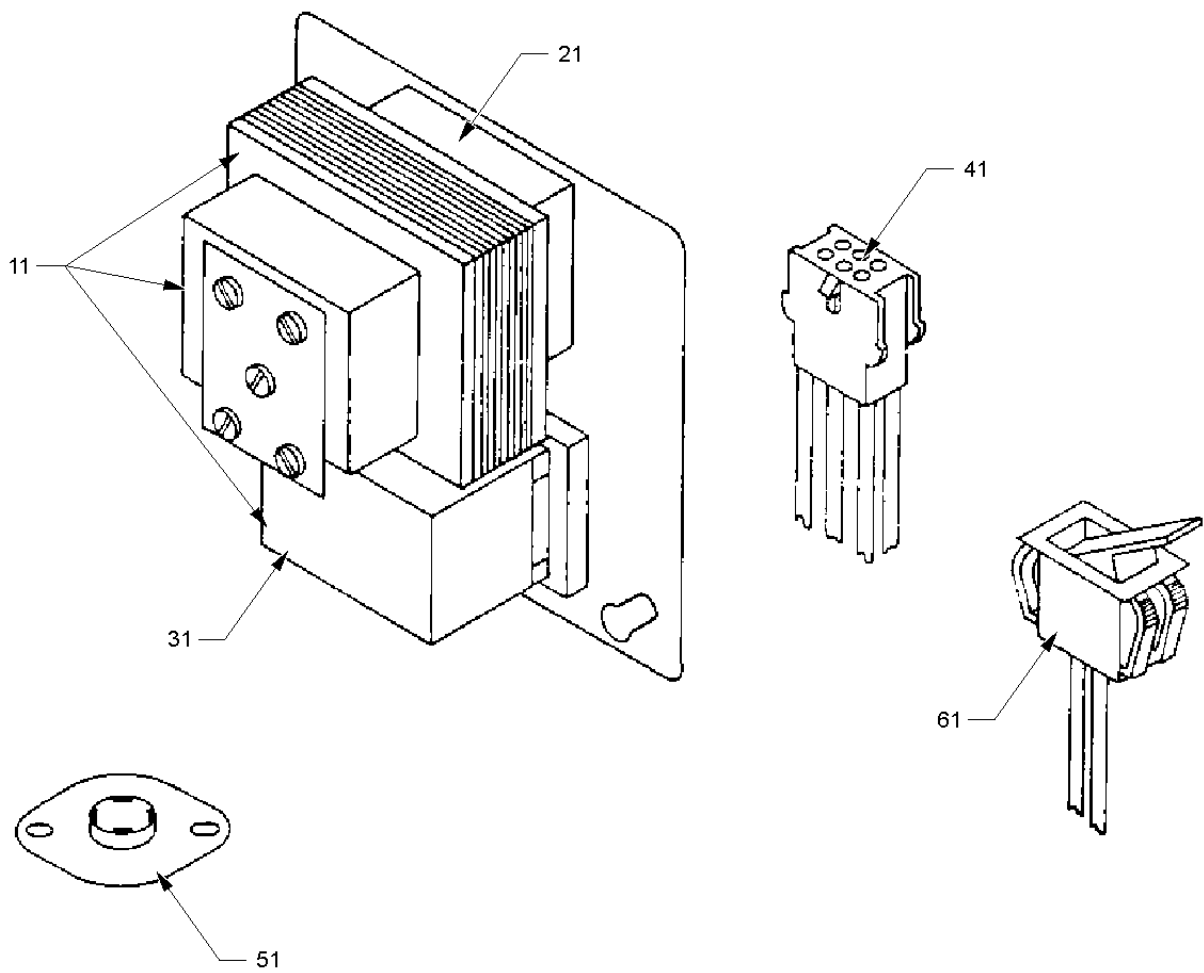


Blower Assy

Ref. Part No:	Description:	Ref. Part No:	Description:
<i>Image 1:</i>		<i>Image 1:</i>	
11	CAP200000370RPS CAPACITOR 20/370V (M10, M15, M30, M35)	NS 1868205S	BLOWER ASSY (10 X 8) [OBSOLETE] (M4, M6, M7, M14, M24, M26, M27, M34)
11	CAP030000370VAS CAPACITOR 7.5/370V (M4, M6, M7, M8, M9, M11, M12, M13, M14, M16, M24, M26, M27, M28, M29, M31, M32, M33, M34, M36)	NS 1868216S	BLOWER ASSY (11 X 10) [OBSOLETE] (M10, M15, M30, M35)
21	B1340020S BLOWER MOTOR 1/2 HP, DIRECT DRIVE (M4, M7, M9, M14, M24, M27, M29, M34)	NS 1868203S	BLOWER ASSY (9 X 6) [OBSOLETE] (M1, M21, M22)
21	B1340002S BLOWER MOTOR 1/3 HP, 4 SP (SHADED POLE) (M3, M5, M23, M25)	NS 1868218S	BLOWER ASSY (9 X 6) [OBSOLETE] (M2, M17, M19, M22)
21	B1340021S BLOWER MOTOR 1/3 HP, DIRECT DRIVE (M6, M8, M12, M13, M26, M28, M32, M33)	NS 1868219S	BLOWER ASSY (9 X 8) [OBSOLETE] (M18, M20)
21	B1340001S BLOWER MOTOR 1/5 HP, 4 SP (SHADED POLE) (M1, M21)	NS 1868223S	BLOWER ASSY (9 X 8) [OBSOLETE] (M5, M25)
21	B1340000 BLOWER MOTOR 1/6 HP, 2 SP (SHADED POLE) (M2, M17, M18, M19, M20, M22)	Expanded Model Nomenclature	
21	B1340022S BLOWER MOTOR 3/4 HP, DIRECT DRIVE (M11, M16, M31, M36)	M1 - GU050-2	
21	B1340023S BLOWER MOTOR 3/4 HP, DIRECT DRIVE (M10, M15, M30, M35)	M2 - GU075-2	
31	B1368047A BLOWER WHEEL 10 X 10 (M8, M9, M28, M29)	M3 - GU075-3	
31	B1368034S BLOWER WHEEL 10 X 6 (M3, M11, M12, M13, M16, M23, M31, M32, M33, M36)	M4 - GU075-4	
31	B1368046S BLOWER WHEEL 10 X 6 CCW (M11, M16, M31, M36)	M5 - GU100-2	
31	B1368016S BLOWER WHEEL 10 X 8 (M4, M6, M7, M14, M24, M26, M27, M34)	M6 - GU100-3	
31	B1368000S BLOWER WHEEL 11 X 10 (M10, M15, M30, M35)	M7 - GU100-4	
31	B1368042S BLOWER WHEEL 9 X 6 (M1, M2, M17, M19, M21, M22)	M8 - GU125-3	
31	B1368036S BLOWER WHEEL 9 X 8 (M5, M18, M20, M25)	M9 - GU125-4	
41	B1368253 MALE CONNECTOR PLUG	M10 - GU125-5A	
51	B1376851 MOTOR MOUNT BAND (M10, M11, M15, M16, M30, M31, M35, M36)	M11 - GU150-5	
61	B1376853 MOTOR MOUNT ARM (M10, M15, M30, M35)	M12 - GUE040-3	
61	B1376859 MOTOR MOUNT ARM (M11, M16, M31, M36)	M13 - GUE060-3	
71	1839301 BLOWER HOUSING (10 X 6) (M11, M16, M31, M36)	M14 - GUE080-4	
71	0271A00016S BLOWER HOUSING ASSY 10 X 10 (M8, M9, M10, M15, M28, M29, M30, M35)	M15 - GUE100-5	
71	1439389S BLOWER HOUSING ASSY 9 X 6 (M1, M2, M17, M19, M21, M22)	M16 - GUE120-5	
71	1839304S BLOWER HOUSING ASSY 9 X 8 (M5, M18, M20, M25)	M17 - GUH075	
71	2539300S BLOWER HOUSING ASSY w/o CUT-OFF 764730 (M3, M11, M12, M13, M23, M31, M32, M33)	M18 - GUH100	
71	1439391S BLOWER HOUSING ASSY w/o CUT-OFF 764736 (M4, M6, M7, M14, M24, M26, M27, M34)	M19 - GUHI075	
81	1717103 BLOWER MOUNTING ANGLE - REAR (M1, M2, M3, M4, M5, M6, M7, M8, M9, M10, M12, M13, M14, M15, M17, M18, M19, M20, M21, M22, M23, M24, M25, M26, M27, M28, M29, M30, M32, M33, M34, M35)	M20 - GUHI100	
81	1817104 BLOWER MOUNTING ANGLE - REAR (M11, M16, M31, M36)	M21 - GUI050-2	
91	1817103 BLOWER TIE ANGLE (M11, M16, M31, M36)	M22 - GUI075-2	
101	1717104 BLOWER MOUNTING ANGLE - SIDES (QTY 2)	M23 - GUI075-3	
NS 1868201S	BLOWER ASSY (10 X 10) [OBSOLETE] (M9, M29)	M24 - GUI075-4	
NS 1868222S	BLOWER ASSY (10 X 10) [OBSOLETE] (M8, M28)	M25 - GUI100-2	
NS 1868200S	BLOWER ASSY (10 X 6) [OBSOLETE] (M11, M16, M31, M36)	M26 - GUI100-3	
NS 1868202S	BLOWER ASSY (10 X 6) [OBSOLETE] (M13, M33)	M27 - GUI100-4	
NS 1868212S	BLOWER ASSY (10 X 6) [OBSOLETE] (M12, M32)	M28 - GUI125-3	
NS 1868221S	BLOWER ASSY (10 X 6) [OBSOLETE] (M3, M23)	M29 - GUI125-4	
		M30 - GUI125-5A	
		M31 - GUI150-5	
		M32 - GUX040-3	
		M33 - GUX060-3	
		M34 - GUX080-4	
		M35 - GUX100-5	
		M36 - GUX120-5	

Blower Assy (Item #9999) contains items 11 thru 101. Items 51 & 61 required for B1340022S & B1340023S motors.

Misc. Electrical and Hardware



Misc. Electrical and Hardware

Ref. Part No:	No:	Description:	Ref. Part No:	No:	Description:
<i>Image 1:</i>			Expanded Model Nomenclature		
11	B1141702	LOAD CENTER (M1, M2, M3, M4, M5, M6, M7, M8, M9, M10, M11, M12, M13, M14, M15, M16, M21, M22, M23, M24, M25, M26, M27, M28, M29, M30, M31, M32, M33, M34, M35, M36)	M1 -	GU050-2	
21	B1141701	TRANSFORMER 20V (M17, M18, M19, M20)	M2 -	GU075-2	
21	B1141648	TRANSFORMER 40V [OBSOLETE] (M1, M2, M3, M4, M5, M6, M7, M8, M9, M10, M11, M12, M13, M14, M15, M16, M21, M22, M23, M24, M25, M26, M27, M28, M29, M30, M31, M32, M33, M34, M35, M36)	M3 -	GU075-3	
31	B1370737	BLOWER RELAY (M1, M2, M3, M4, M5, M6, M7, M8, M9, M10, M11, M12, M13, M14, M15, M16, M21, M22, M23, M24, M25, M26, M27, M28, M29, M30, M31, M32, M33, M34, M35, M36)	M4 -	GU075-4	
41	1368400	CAP CONNECTOR ASSY (M1, M3, M4, M5, M6, M7, M8, M9, M12, M13, M14, M21, M23, M24, M25, M26, M27, M28, M29, M32, M33, M34)	M5 -	GU100-2	
41	1368401	CAP CONNECTOR ASSY (M10, M15, M30, M35)	M6 -	GU100-3	
41	1368402	CAP CONNECTOR ASSY (M2, M11, M16, M17, M18, M19, M20, M22, M31, M36)	M7 -	GU100-4	
51	B1370102	FLAME ROLLOUT SWITCH 225°F (M12, M13, M32, M33)	M8 -	GU125-3	
51	B1370106	FLAME ROLLOUT SWITCH 275°F (M1, M3, M4, M16, M21, M23, M24, M36)	M9 -	GU125-4	
51	B1370108	FLAME ROLLOUT SWITCH 300° (M5, M6, M7, M11, M15, M25, M26, M27, M31, M35)	M10 -	GU125-5A	
51	B1370110	FLAME ROLLOUT SWITCH 330°F (M2, M8, M9, M10, M14, M17, M18, M19, M20, M22, M28, M29, M30, M34)	M11 -	GU150-5	
61	B1370819	DOOR SWITCH	M12 -	GUE040-3	
			M13 -	GUE060-3	
			M14 -	GUE080-4	
			M15 -	GUE100-5	
			M16 -	GUE120-5	
			M17 -	GUH075	
			M18 -	GUH100	
			M19 -	GUHI075	
			M20 -	GUHI100	
			M21 -	GUI050-2	
			M22 -	GUI075-2	
			M23 -	GUI075-3	
			M24 -	GUI075-4	
			M25 -	GUI100-2	
			M26 -	GUI100-3	
			M27 -	GUI100-4	
			M28 -	GUI125-3	
			M29 -	GUI125-4	
			M30 -	GUI125-5A	
			M31 -	GUI150-5	
			M32 -	GUX040-3	
			M33 -	GUX060-3	
			M34 -	GUX080-4	
			M35 -	GUX100-5	
			M36 -	GUX120-5	

