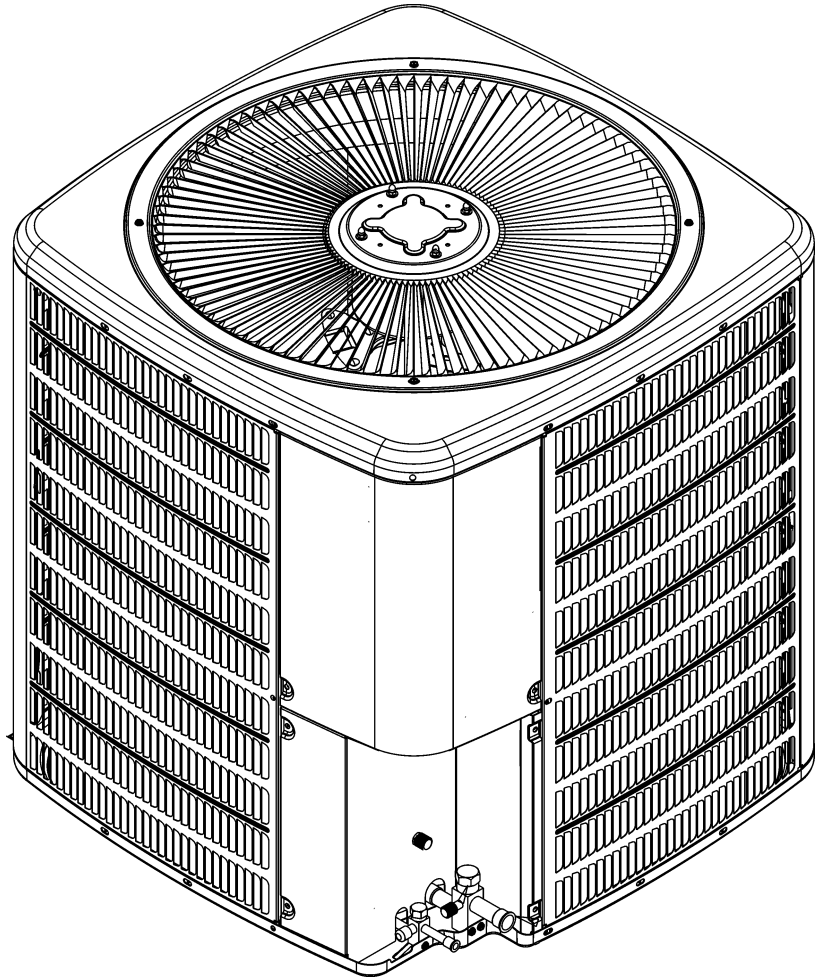


GSZ14 Remote Heat Pump

GSZ140481KD

GSZ140601KD



This manual is to be used by qualified technicians only.

Important Information

Index

Functional Parts List	3
Illustration and Parts	4 - 9

Views shown are for parts illustrations only, not servicing procedures.

Text Codes:

AR - As Required

NA - Not Available

NS - Not Shown

00000000 - See Note

QTY - Quantity Example (QTY 3) (If Quantity not shown, Quantity = 1)

M - Model Example (M1) (If M Code not shown, then part is used on all Models)

Expanded Model Nomenclature:

Example M1 - Model#1 M2 - Model#2 M3 - Model#3

Goodman Manufacturing Company, L.P. is not responsible for personal injury or property damage resulting from improper service. Review all service information before beginning repairs.

Warranty service must be performed by an authorized technician, using authorized factory parts. If service is required after the warranty expires, Goodman Manufacturing Company, L.P. also recommends contacting an authorized technician and using authorized factory parts.

Goodman Manufacturing Company, L.P. reserves the right to discontinue, or change at any time, specifications or designs without notice or without incurring obligations.

For assistance within the U.S.A. contact:
Homeowner Support
Goodman Manufacturing Company, L.P.
19001 Kermier Road
Waller, Texas 77484
877-254-4729-Telephone
713-863-2382-Facsimile

For assistance outside the U.S.A. contact:
International Division
Goodman Manufacturing Company, L.P.
19001 Kermier Road
Waller, Texas 77484
713-861-2500-Telephone
713-863-2382-Facsimile

Functional Parts

Part

No: **Description:**

0151R00078	BASE VALVE 3/8"
CAP050450440CT	CAPACITOR 5/45/440V/DUAL RD (M1)
CAP050700440CT	CAPACITOR 5/70/440V/DUAL RD (M2)
ZP40K6EPFV130	COMP, 53700, 208/230/60/1 (M1)
ZP51K5EPFV130	COMPRESSOR 51000, 208/230/60/1 (M2)
CONT1P030024V	CONTACTOR 30 AMP, 1P, 24V
0130M00250	CONTROL, DEFROST
0130M00089	CUT-OUT SWITCH, HIGH PRESSURE
0130M00088	CUT-OUT SWITCH, LOW PRESSURE
PCBDM133	DEFROST CONTROL BOARD
0130M00106	DISC THERMOSTAT(CRKNCS HTR SW)
10625738	FAN BLADE 26" ALUM CCW (M2)
B1086765	FAN BLADE TYPE 3 (M1)
0163R00007	HEATER, CRANKCASE 230V, 40W
0131M00807	MOTOR, 1/4HP,1SP,8PL,AL
0151R00071	REVERSING VALVE
B1225022	SOLENOID COIL

SPECIAL PARTS

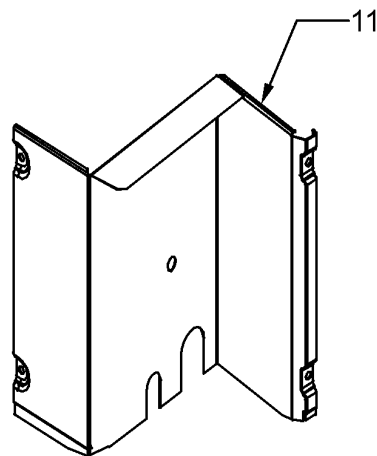
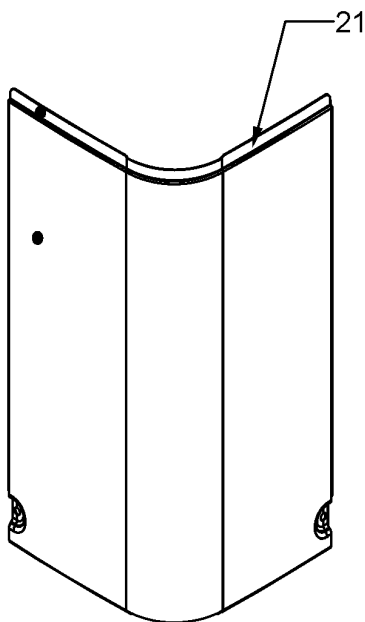
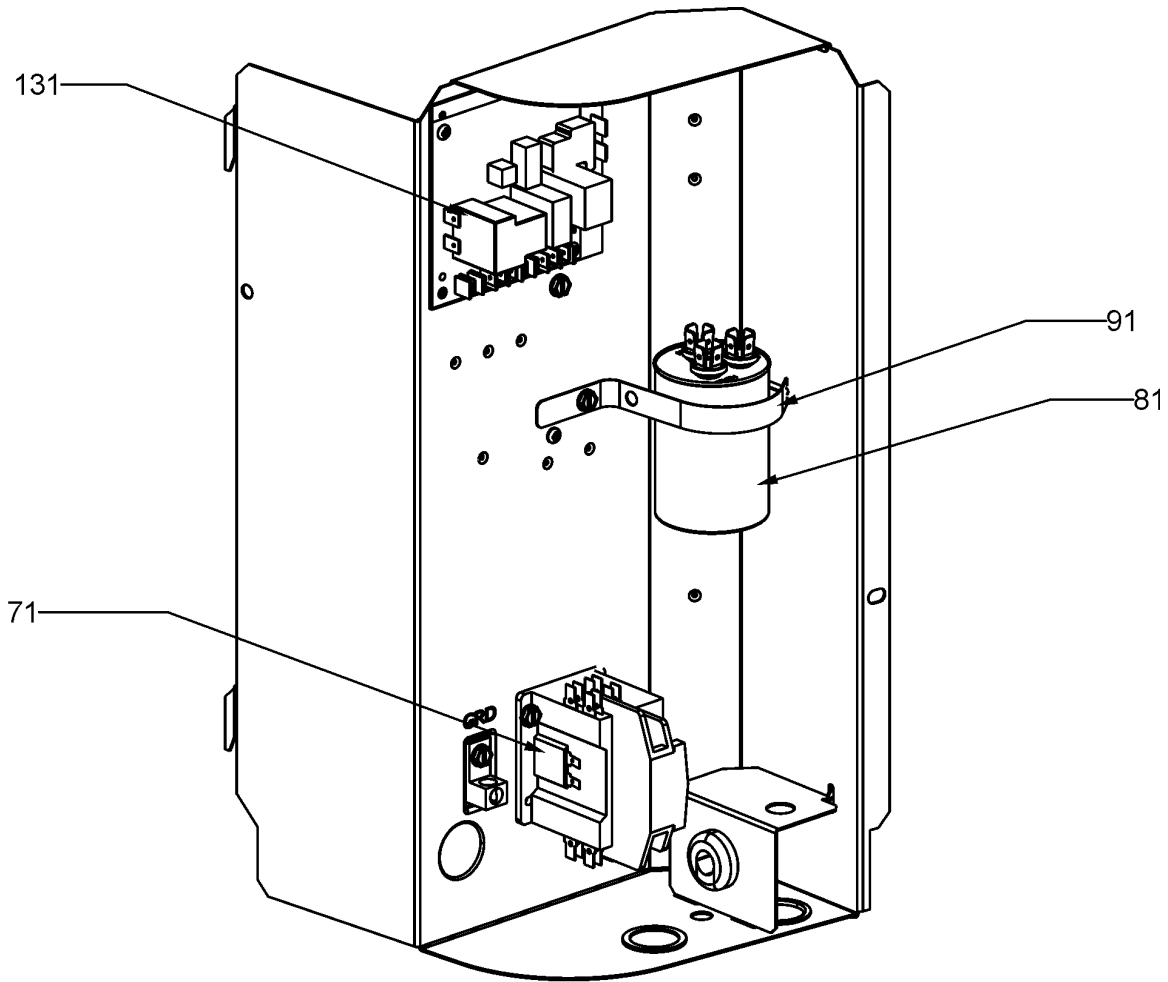
0161R00009P NAMEPLATE

Expanded Model Nomenclature

M1 - GSZ140481KD

M2 - GSZ140601KD

Control Cover / Control Box Assembly



Control Cover / Control Box Assembly

Ref. Part No:	No:	Description:	Ref. Part No:	No:	Description:
---------------	-----	--------------	---------------	-----	--------------

Image 1:

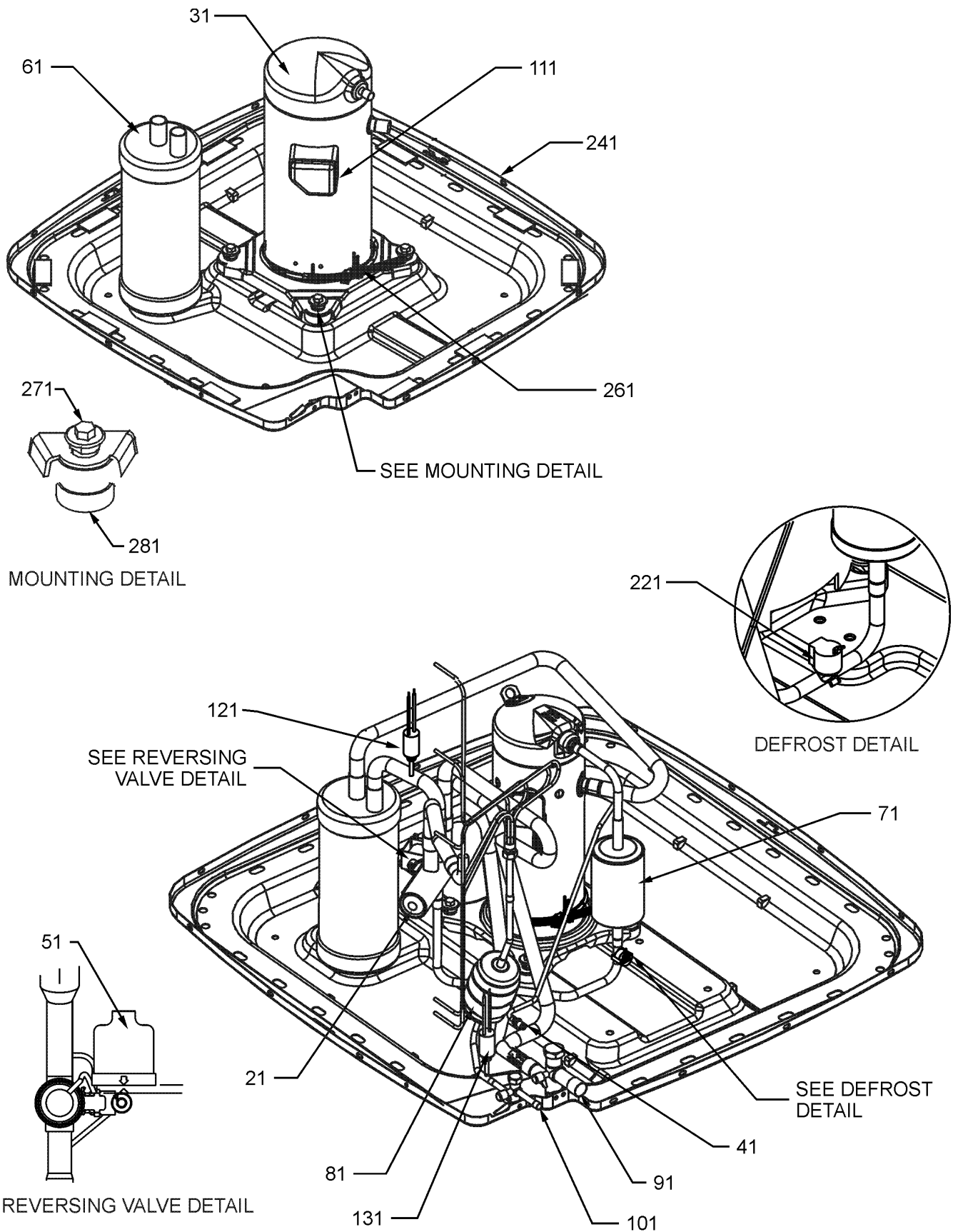
11	0121R00154PDG	LOWER ACCESS PANEL (M1)
11	0121R00625PDG	LOWER ACCESS PANEL (M2)
21	0121R00053PDG	CONTROL COVER
71	CONT1P030024V	CONTACTOR 30 AMP, 1P, 24V
81	CAP050450440CT	CAPACITOR 5/45/440V/DUAL RD (M1)
81	CAP050700440CT	CAPACITOR 5/70/440V/DUAL RD (M2)
91	4400065	CAPACITOR STRAP
131	PCBDM133	DEFROST CONTROL BOARD
NS	0161R00009P	NAMEPLATE

Expanded Model Nomenclature

M1 - GSZ140481KD

M2 - GSZ140601KD

Compressor / Tubing Assembly



Compressor / Tubing Assembly

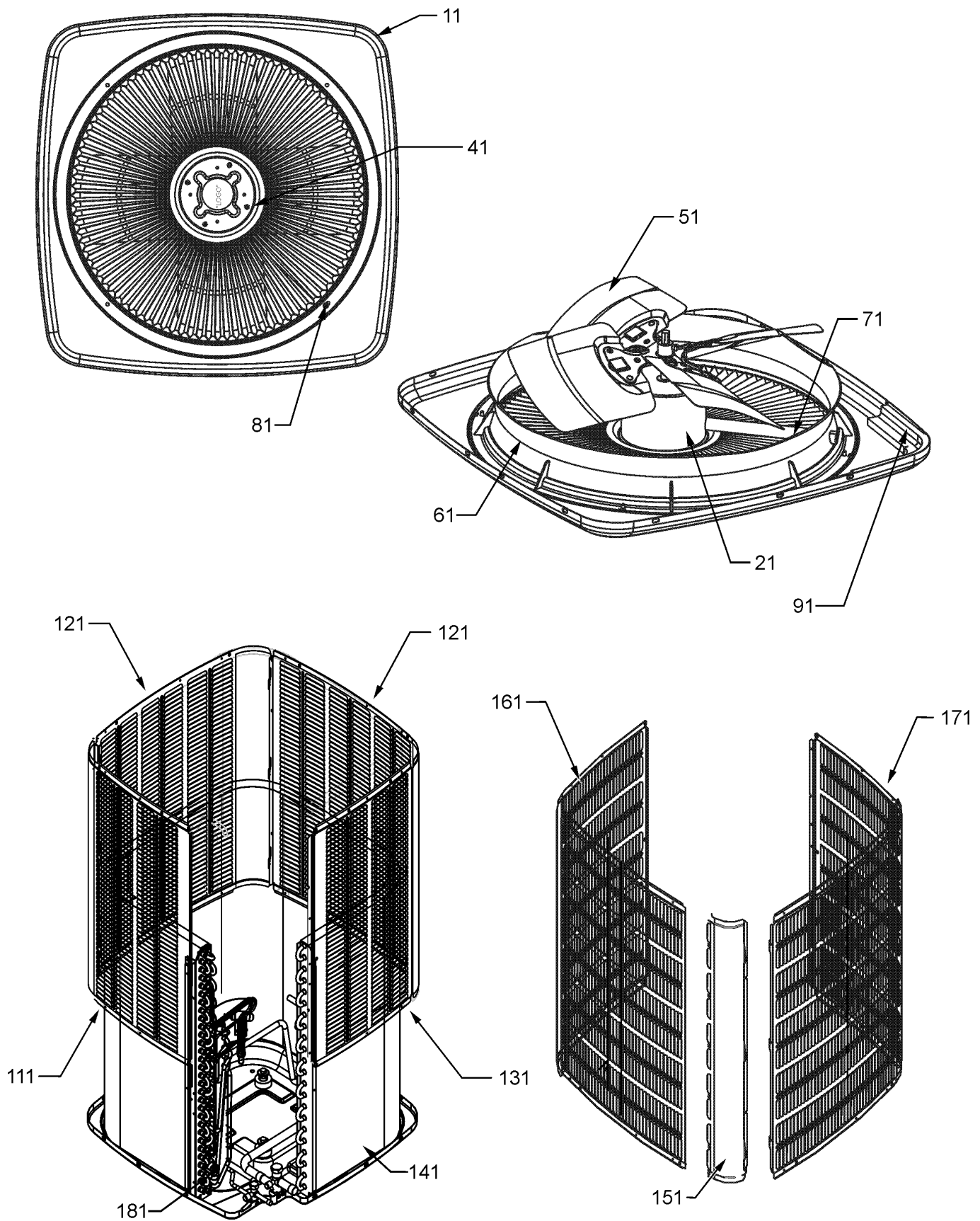
Ref. Part No:	No:	Description:	Ref. Part No:	No:	Description:
Image 1:					
21	0151R00071	REVERSING VALVE			
31	ZP40K6EPFV130	COMP. 53700, 208/230/60/1 (M1)			
31	ZP51K5EPFV130	COMPRESSOR 51000, 208/230/60/1 (M2)			
41	B1787000	VALVE CORE			
51	0130M00083	REVERSING VALVE HARNESS			
61	B1226207	ACCUMULATOR .875			
71	0162R00007	MUFFLER 1/2 X 1/2			
81	20485201	BI-FLOW FILTER DRIER			
91	0151R00080	BASE VALVE 7/8"			
101	0151R00078	BASE VALVE 3/8"			
111	0159R00001P	COMPRESSOR SCROLL HARNESS (M1)			
111	0159R00002P	COMPRESSOR SCROLL HARNESS (M2)			
121	0130M00088	CUT-OUT SWITCH, LOW PRESSURE			
131	0130M00089	CUT-OUT SWITCH, HIGH PRESSURE			
221	0130M00106	DISC THERMOSTAT(CRNKCS HTR SW)			
241	0121R00006PDG	BASE PAN 29" (M1)			
241	0121R00007PDG	BASE PAN 35" (M2)			
261	0163R00007	HEATER, CRANKCASE 230V, 40W			
271	B1339533	COMPRESSOR GROMMET (QTY 4)			
281	M0221641	TF SHOULDER SCREW (QTY 4)			
NS	0163M00175	CAP WITH O-RING			
NS	B1225022	SOLENOID COIL			

Expanded Model Nomenclature

M1 - GSZ140481KD

M2 - GSZ140601KD

Cabinet Top / Side Panel Assembly



Cabinet Top / Side Panel Assembly

Ref. Part No:	Part No:	Description:	Ref. Part No:	Part No:	Description:
---------------	----------	--------------	---------------	----------	--------------

Image 1:

11	0121R00010PDG	TOP PANEL 29" (M1)
11	0121R00269PDG	TOP PANEL, 35" (M2)
21	0131M00807	MOTOR, 1/4HP,1SP,8PL,AL
41	0163M00006P	ACORN NUT 5/16 HEX BLACK (QTY 4)
51	10625738	FAN BLADE 26" ALUM CCW (M2)
51	B1086765	FAN BLADE TYPE 3 (M1)
61	0161R00048	MOLDED RING-VENTURI 22 (M1)
61	0161R00049	MOLDED RING-VENTURI 26" (M2)
71	0161R00002P	CONDUIT (M1)
71	0161R00004P	CONDUIT (M2)
81	0163M00004	SCREW #10X3/4", BLACK
111	0121R00592PDGB	PANEL 1, BENT LOUVER 35_34.64 (M2)
121	0121R00594PDGB	PANEL 2, BENT LOUVER 35_34.64 (M2)
131	0121R00596PDG	PANEL 3, LOUVER 35_34.64 PNT (M2)
141	0201R00567	COIL TUBING ASSY (M2)
141	0201R00581	COIL TUBING ASSY (M1)
151	0121R00355PDG	LOUVER POST, PDG 34.88 (M1)
161	0121R00587PDGLS	LOUVER PANEL, 29" CHASSIS, PNT (M1)
171	0121R00587PDGRS	LOUVER PANEL, 29" CHASSIS, PNT (M1)
181	0130M00250	CONTROL, DEFROST
NS	B1789880	FLOW CHECK PISTON KIT .080 (M1)
NS	B1789888	FLOW CHECK PISTON KIT .088 (M2)
NS	0154R00006	GASKET, CONTROL PANEL
NS	0163M00005P	WASHER, BLACK (.50 OD .218ID) (QTY 4)

Expanded Model Nomenclature

M1 - GSZ140481KD

M2 - GSZ140601KD