



REPAIR PARTS

GSZ14 Remote Heat Pump

GSZ140181LA
GSZ140241LA
GSZ140361LA
GSZ140361LB
GSZ140361LC



This manual is to be used by qualified technicians only.

This manual replaces RP-G4316B.

© 2019 - 2021 Goodman Manufacturing Company, L.P. ♦ 5151 San Felipe St, Suite 500 ♦ Houston, TX 77056

Important Information

Index

Functional Parts List	3
Illustration and Parts	4 - 9

Views shown are for parts illustrations only, not servicing procedures.

Text Codes:

AR - As Required

NA - Not Available

NS - Not Shown

00000000 - See Note

QTY - Quantity Example (QTY 3) (If Quantity not shown, Quantity = 1)

M - Model Example (M1) (If M Code not shown, then part is used on all Models)

Expanded Model Nomenclature:

Example M1 - Model#1 M2 - Model#2 M3 - Model#3

Goodman Manufacturing Company, L.P. is not responsible for personal injury or property damage resulting from improper service. Review all service information before beginning repairs.

Warranty service must be performed by an authorized technician, using authorized factory parts. If service is required after the warranty expires, Goodman Manufacturing Company, L.P. also recommends contacting an authorized technician and using authorized factory parts.

Goodman Manufacturing Company, L.P. reserves the right to discontinue, or change at any time, specifications or designs without notice or without incurring obligations.

For assistance within the U.S.A. contact:
Homeowner Support
Goodman Manufacturing Company, L.P.
19001 Kermier Road
Waller, Texas 77484
877-254-4729-Telephone
713-863-2382-Facsimile

For assistance outside the U.S.A. contact:
International Division
Goodman Manufacturing Company, L.P.
19001 Kermier Road
Waller, Texas 77484
713-861-2500-Telephone
713-863-2382-Facsimile

Functional Parts

Part

No: Description:

50N382YV-ZAKQ	1.5T RECHI COMPRESSOR (4-LEGS) (M1)
50N492ZV-ZAKQ	2.0 TON RECHI COMPR (M2)
0151R00185	BASE VALVE 3/4"
0151R00187	BASE VALVE 3/8"
CAP050350440CS	CAP, 5/35 MFD/440V/DUAL RD (M1)
CAP050450440CT	CAP, 5/45 MFD/440V/DUAL RD (M2, M3, M4, M5)
CONT1P030024V	CONT, 1 POLE, 30 AMP, 24 VAC
0130M00250	CONTROL, DEFROST
PCBDM133	DEFROST CONTROL BOARD
0130M00106	DISC THERMOSTAT(CRNKCS HTR SW)
0150M00008	FAN BLADE 22" TNT2203-25
0163R00006	HEATER, CRANKCASE 230V, 40W
0130M00089	HIGH PRESSURE SWITCH
APG031KAC	LG COMP,42800,208-230/60/1 (M3, M4, M5)
0130M00088	LOW PRESSURE SWITCH
0131M00753	MOTOR, 1/6HP, 1SP, 8PL, AL
0130M00441	RELAY, HARD START (M1, M2)
0151R00068	REVERSING VALVE (M1, M2)
0151R00069	REVERSING VALVE (M3, M4, M5)
B1225022	SOLENOID COIL

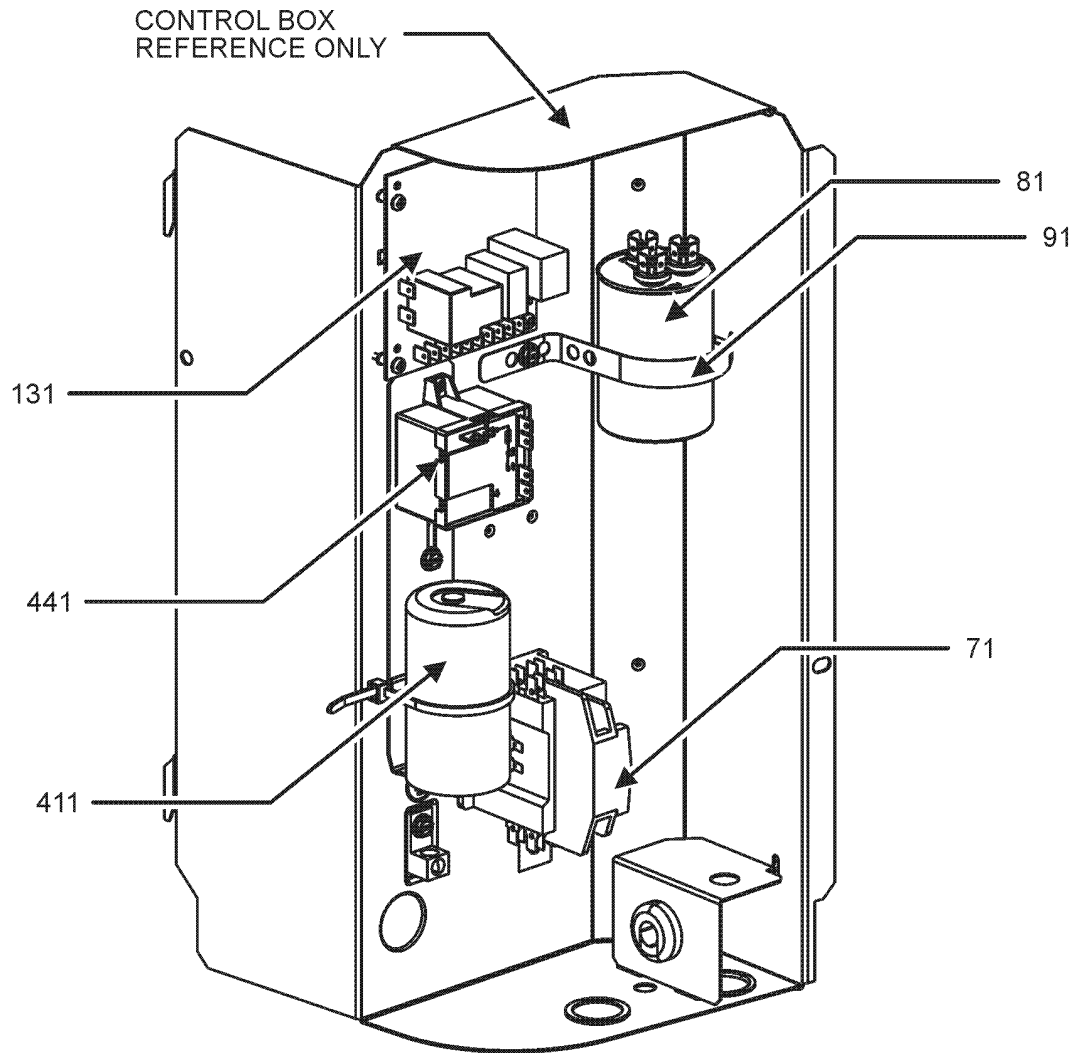
SPECIAL PARTS

0161R00092	NAMEPLATE, GOODMAN
------------	--------------------

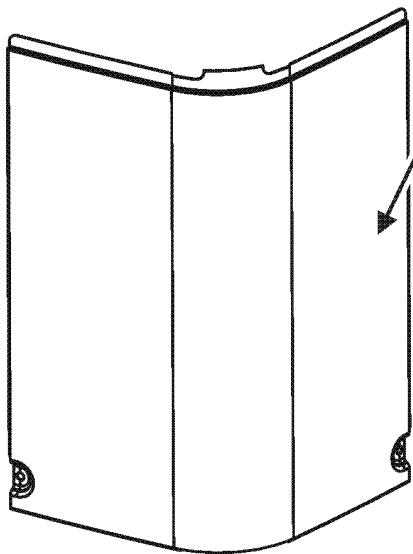
Expanded Model Nomenclature

M1 - GSZ140181LA
M2 - GSZ140241LA
M3 - GSZ140361LA
M4 - GSZ140361LB
M5 - GSZ140361LC

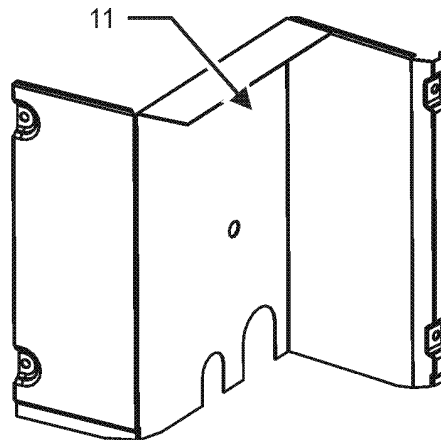
Control Box Assembly



NOTE: CONTROL PANEL ASSEMBLY
MAY DIFFER FROM WHAT IS SHOWN



UPPER ACCESS COVER



LOWER ACCESS PANEL

Control Box Assembly

Ref. Part No:	No:	Description:	Ref. Part No:	No:	Description:
---------------	-----	--------------	---------------	-----	--------------

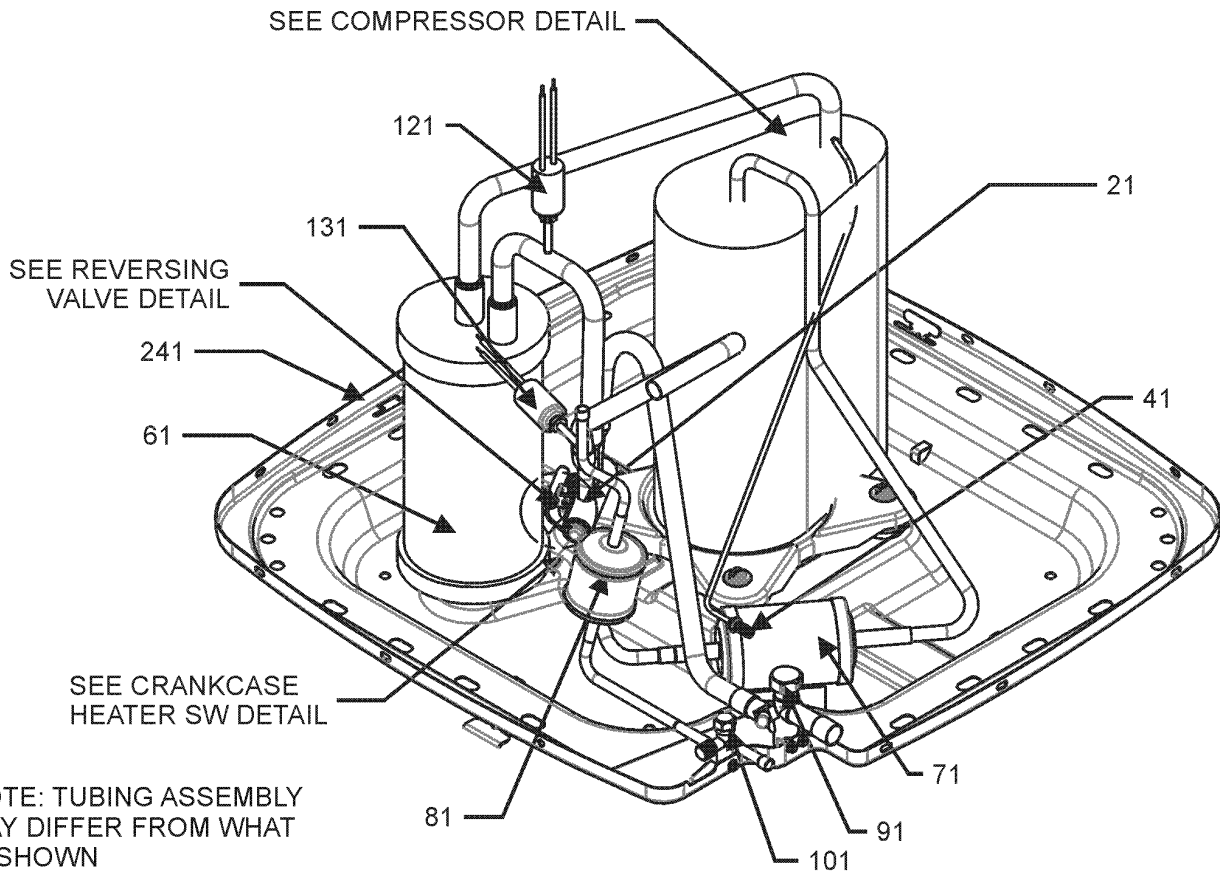
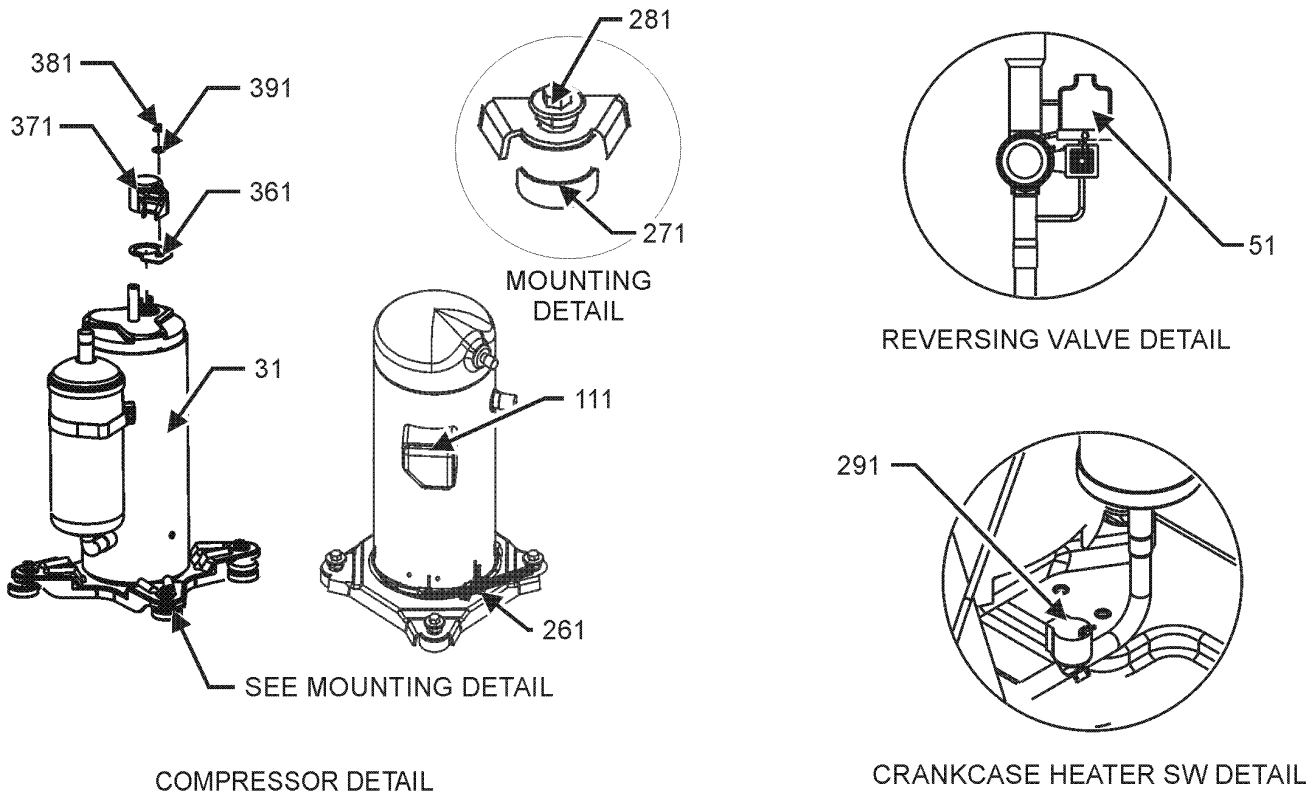
Image 1:

11	0121R00907PDG	PNL, LWR ACCESS (M3, M4, M5)
11	0121R00917PDG	PNL, LWR ACCESS (M1, M2)
21	0121R00937PDG	PNL, CONTROL COVER
71	CONT1P030024V	CONT, 1 POLE, 30 AMP, 24 VAC
81	CAP050350440CS	CAP, 5/35 MFD/440V/DUAL RD (M1)
81	CAP050450440CT	CAP, 5/45 MFD/440V/DUAL RD (M2, M3, M4, M5)
91	4400065	CAPACITOR STRAP
131	PCBDM133	DEFROST CONTROL BOARD
411	0130R00116	CAPACITOR, HARD START (M1, M2)
441	0130M00441	RELAY, HARD START (M1, M2)
NS	0121R00854	HARD START KIT BRACKET (M1, M2)
NS	0161R00092	NAMEPLATE, GOODMAN

Expanded Model Nomenclature

- | |
|------------------|
| M1 - GSZ140181LA |
| M2 - GSZ140241LA |
| M3 - GSZ140361LA |
| M4 - GSZ140361LB |
| M5 - GSZ140361LC |

Compressor and Tubing Assembly



Compressor and Tubing Assembly

Ref. Part No:	Part No:	Description:	Ref. Part No:	Part No:	Description:
---------------	----------	--------------	---------------	----------	--------------

Image 1:

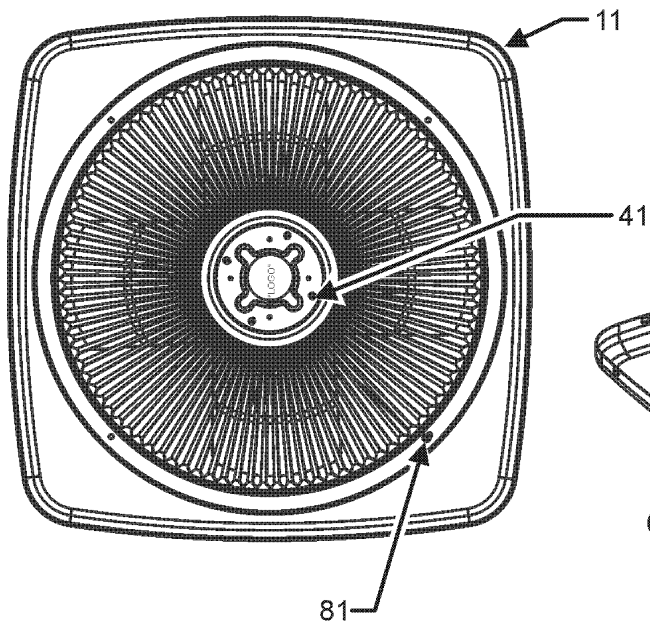
21	0151R00068	REVERSING VALVE (M1, M2)			
21	0151R00069	REVERSING VALVE (M3, M4, M5)			
31	50N382YV-ZAKQ	1.5T RECHI COMPRESSOR (4-LEGS) (M1)			
31	50N492ZV-ZAKQ	2.0 TON RECHI COMPR (M2)			
31	APG031KAC	LG COMP,42800,208-230/60/1 (M3, M4, M5)			
41	0163M00175	CAP WITH O-RING			
51	0130M00410	REVERSING VALVE HARNESS			
61	0151L00008	ACCUMULATOR (M3)			
61	0151L00172	ACCUMULATOR (M5)			
61	B1226207	ACCUMULATOR .875 (M1, M2)			
61	0151R00004P	ACCUMULATOR 3/4 (M4)			
71	0162R00007	MUFFLER 1/2 X 1/2			
81	0162R00056	FILTER/DRIER-BI-FLOW			
91	0151R00185	BASE VALVE 3/4"			
101	0151R00187	BASE VALVE 3/8"			
111	0159R00022	HARNESS, COMP SCROLL 42" (M3, M4, M5)			
121	0130M00088	LOW PRESSURE SWITCH			
131	0130M00089	HIGH PRESSURE SWITCH			
241	0121R00006PDG	BASE PAN 29"			
261	0163R00006	HEATER, CRANKCASE 230V, 40W			
271	60140209	GROMMET - RECHI COMPRESSOR (M1, M2)			
271	B1339533	GROMMET, COMPRESSOR (SCROLL & (M3, M4, M5)			
281	0163M00186	SCREW-SHOULDER TF (M1, M2)			
281	M0221641	SCREW-SHOULDER TF (M3, M4, M5)			
291	0130M00106	DISC THERMOSTAT(CRNKCS HTR SW)			
361	60100107	TERMINAL COVER GASKET (M1, M2)			
371	60100317	TERMINAL COVER (M1, M2)			
381	60100401	TERMINAL NUT - RECHI COMP (M1, M2)			
391	60100201	WASHER - RECHI COMPRESSOR (M1, M2)			
NS	B1225022	SOLENOID COIL			
NS	0151M00104	VALVE CORE			

Expanded Model Nomenclature

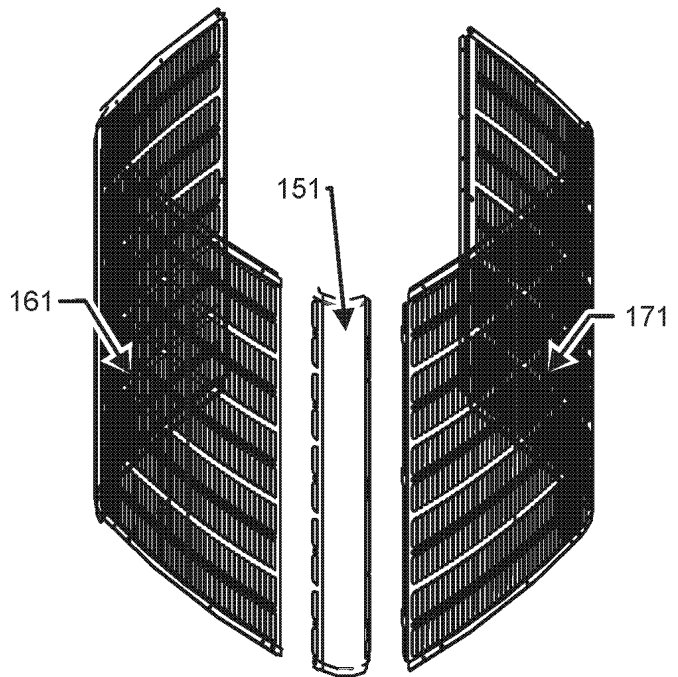
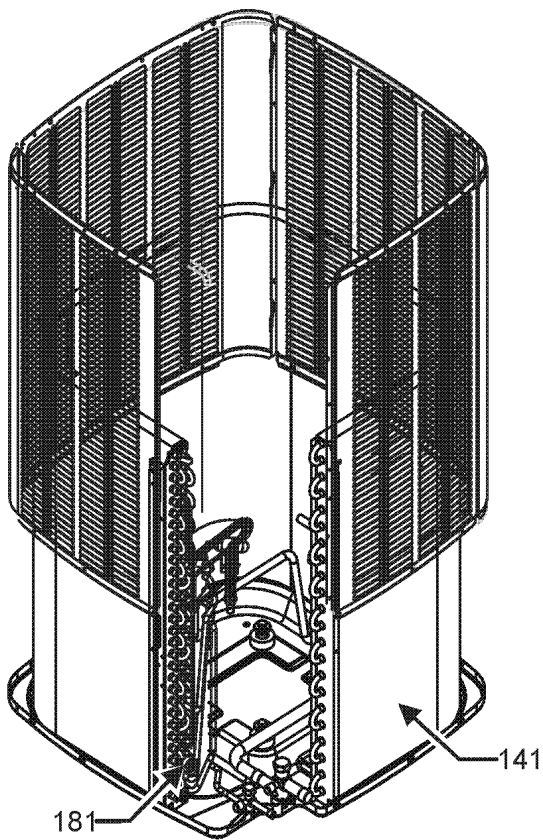
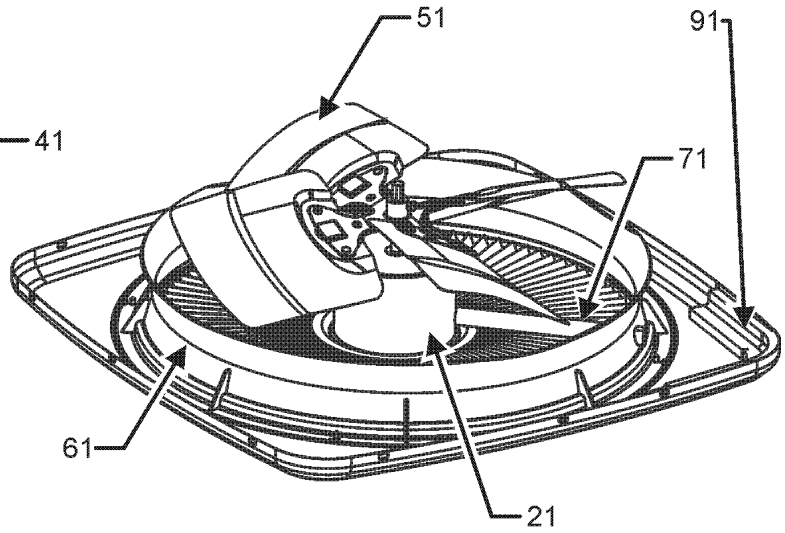
- | |
|------------------|
| M1 - GSZ140181LA |
| M2 - GSZ140241LA |
| M3 - GSZ140361LA |
| M4 - GSZ140361LB |
| M5 - GSZ140361LC |

Top Panel and Louver Panel Assembly

TOP PANEL ASSEMBLY
TOP VIEW



TOP PANEL ASSEMBLY
BOTTOM VIEW



LOUVER PANEL ASSEMBLY

Top Panel and Louver Panel Assembly

Ref. Part No:	Part No:	Description:	Ref. Part No:	Part No:	Description:
---------------	----------	--------------	---------------	----------	--------------

Image 1:

11	0121R00010PDG	TOP PANEL 29"
21	0131M00753	MOTOR, 1/6HP, 1SP, 8PL, AL
41	0163M00006P	ACORN NUT 5/16 HEX BLACK (QTY 4)
51	0150M00008	FAN BLADE 22" TNT2203-25
61	0161R00048	MOLDED RING-VENTURI 22
71	0161R00002P	CONDUIT
81	0163M00004	SCREW #10 X3/4", BLK (QTY 4)
141	0201R00669	COIL TUBING ASSY (M2)
141	0201R00712	COIL TUBING ASSY (M1)
141	0201R00744	COIL TUBING ASSY (M3, M4, M5)
151	0121R00583PDG	LOUVER POST, PDG 33.14 (M1, M2)
151	0121R00355PDG	LOUVER POST, PDG 34.88 (M3, M4, M5)
161	0121R00586PDG	LOUVER PANEL (M1, M2)
171	0121R00587PDG	LOUVER PANEL (M3, M4, M5)
181	0130M00250	CONTROL, DEFROST
NS	B1789851	FLOW CHECK PISTON KIT (M1)
NS	B1789857	FLOW CHECK PISTON KIT (M2)
NS	B1789872	FLOW CHECK PISTON KIT (M3, M4, M5)
NS	0154R00045	GASKET, CONTROL PANEL
NS	0163M00005P	WASHER, BLACK (.50 OD .218ID) (QTY 4)

Expanded Model Nomenclature

M1 - GSZ140181LA
M2 - GSZ140241LA
M3 - GSZ140361LA
M4 - GSZ140361LB
M5 - GSZ140361LC