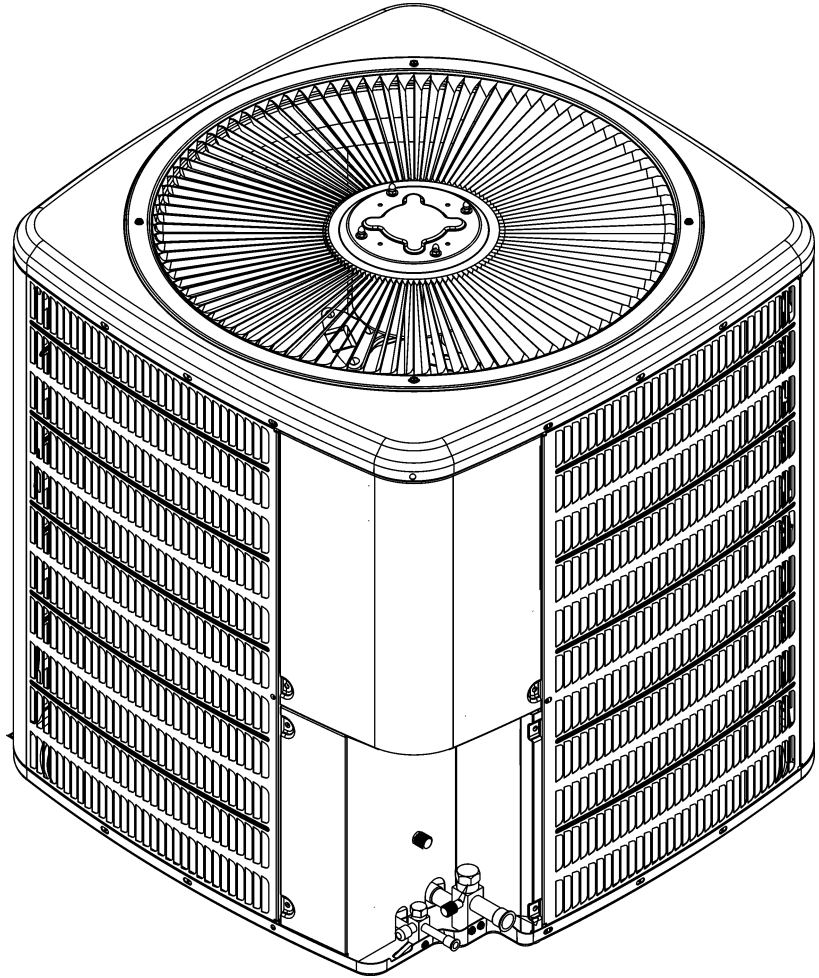


GSZ14 Remote Heat Pump

GSZ140181KA
GSZ140181KB
GSZ140181KC
GSZ140181KD
GSZ140241KA
GSZ140241KB
GSZ140241KD
GSZ140241KE
GSZ140241KF
GSZ140301KA
GSZ140301KB
GSZ140301KC
GSZ140301KD
GSZ140301KE
GSZ140361KA
GSZ140361KB
GSZ140361KC
GSZ140421KA
GSZ140421KB
GSZ140421KC
GSZ140481KA
GSZ140481KB
GSZ140481KC
GSZ140491KA
GSZ140491KB
GSZ140491KC
GSZ140601KA
GSZ140601KB
GSZ140601KC



This manual is to be used by qualified technicians only.

This manual replaces RP-G4002H.

© 2015 - 2016 Goodman Manufacturing Company, L.P. ♦ 5151 San Felipe St., Suite 500 ♦ Houston, TX 77056

Important Information

Index

Functional Parts List	3
Illustration and Parts	4 - 9

Views shown are for parts illustrations only, not servicing procedures

Text Codes:

AR - As Required

NA - Not Available

NS - Not Shown

00000000 - See Note

QTY - Quantity Example (QTY 3) (If Quantity not shown, Quantity = 1)

M - Model Example (M1) (If M Code not shown, then part is used on all Models)

Expanded Model Nomenclature:

Example M1 - Model#1 M2 - Model#2 M3 - Model#3

Goodman Manufacturing Company, L.P. is not responsible for personal injury or property damage resulting from improper service. Review all service information before beginning repairs.

Warranty service must be performed by an authorized technician, using authorized factory parts. If service is required after the warranty expires, Goodman Manufacturing Company, L.P. also recommends contacting an authorized technician and using authorized factory parts.

Goodman Manufacturing Company, L.P. reserves the right to discontinue, or change at any time, specifications or designs without notice or without incurring obligations.

For assistance within the U.S.A. contact:

Homeowner Support

Goodman Manufacturing Company, L.P.

19001 Kermier Road

Waller, Texas 77484

877-254-4729-Telephone

713-863-2382-Facsimile

For assistance outside the U.S.A. contact:

International Division

Goodman Manufacturing Company, L.P.

19001 Kermier Road

Waller, Texas 77484

713-861-2500-Telephone

713-863-2382-Facsimile

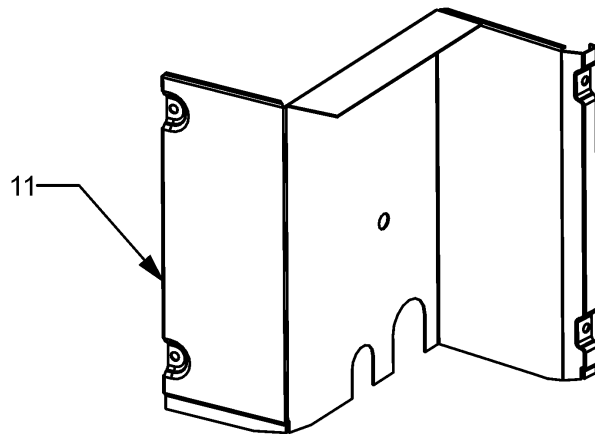
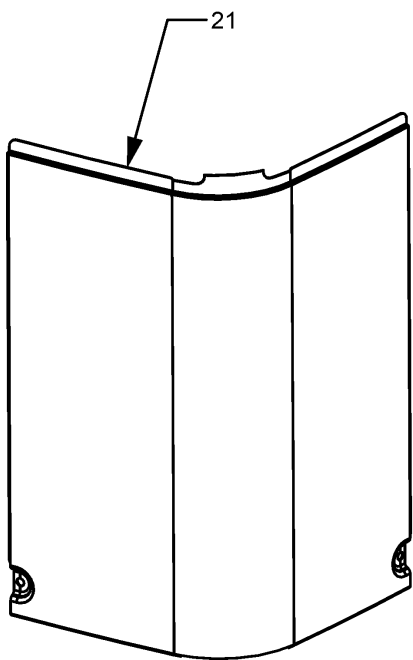
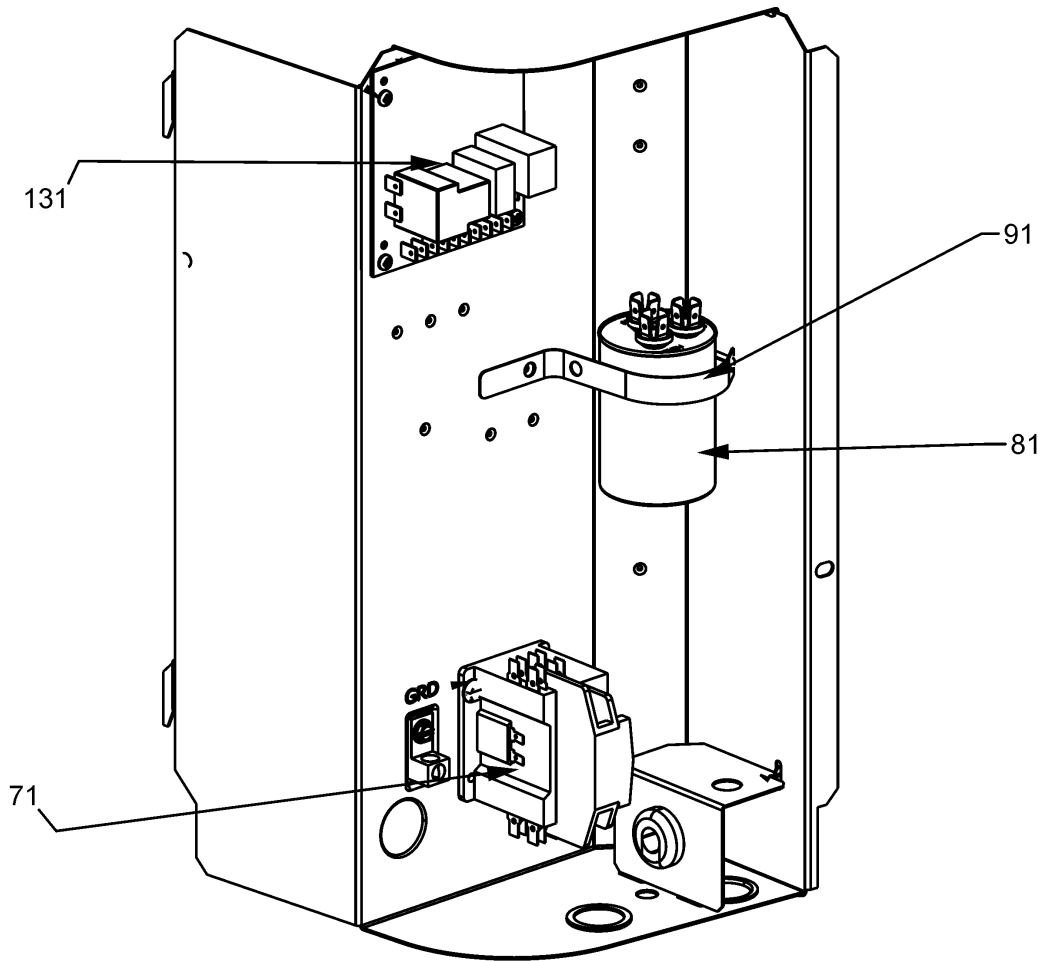
Functional Parts

Part

No: Description:

Part No:	Description:	Part No:	Description:
0151R00004P	ACCUMULATOR .750 (M1, M2, M3, M4, M5, M6, M7, M8, M9, M10, M11, M12, M13, M14)	0151R00069	REVERSING VALVE (M10, M11, M12, M13, M15, M16, M17)
0151L00008	ACCUMULATOR .875 (M15, M16, M17)	0151R00071	REVERSING VALVE (M18, M19, M20, M21, M22, M24, M25, M26, M27, M28)
B1226207	ACCUMULATOR .875 (M18, M19, M20, M21, M22, M23, M24, M25, M26, M27, M28, M29)	0151M00018	REVERSING VALVE (M8)
0151R00079	BASE VALVE 3/4" (M1, M2, M3, M4, M5, M6, M7, M8, M9, M10, M11, M12, M13, M14, M15, M16, M17)	0151M00019	REVERSING VALVE (M14)
0151R00078	BASE VALVE 3/8"	0151M00021	REVERSING VALVE (M23, M29)
0151R00080	BASE VALVE 7/8" (M18, M19, M20, M21, M22, M23, M24, M25, M26, M27, M28, M29)	0151R00068	REVERSING VALVE (M1, M2, M3, M4, M5, M6, M7, M9)
CAP050300440CS	CAP,5/30MFD/440V/DUAL RD (M1, M2, M3, M4)	SPECIAL PARTS	
CAP050350440CS	CAPACITOR 5/35/440V (M5, M6, M7, M8, M9, M10, M11, M12, M13, M14)	0161R00009P	NAMEPLATE
CAP050450440CT	CAPACITOR 5/45/440V/DUAL RD (M15, M16, M17, M18, M19, M20, M21, M22, M23, M24, M25, M26)	Expanded Model Nomenclature	
CAP050700440CT	CAPACITOR 5/70/440V/DUAL RD (M27, M28, M29)	M1 - GSZ140181KA	
ZP14K6EPFV130	COMP, 14,000,208/230/60/1 (M1, M2, M3, M4)	M2 - GSZ140181KB	
ZP20K6EPFV130	COMP, 20,000,208/230/60/1 (M5, M6, M7, M8, M9)	M3 - GSZ140181KC	
ZP34K6EPFV130	COMP, 46500, 208/230/60/1 (M18, M19, M20)	M4 - GSZ140181KD	
ZP40K6EPFV130	COMP, 53700, 208/230/60/1 (M21, M22, M23)	M5 - GSZ140241KA	
ZP25K6EPFV130	COMP,34200,208/230/60/1 (M10, M11, M12, M13, M14)	M6 - GSZ140241KB	
ZP31K6EPFV130	COMP,42500,208/230/60/1 (M15, M16, M17)	M7 - GSZ140241KD	
ZP39K5EPFV130	COMPRESSOR 39000, 208/230/60/1 (M24, M25, M26)	M8 - GSZ140241KE	
ZP51K5EPFV130	COMPRESSOR 51000, 208/230/60/1 (M27, M28, M29)	M9 - GSZ140241KF	
0131M00061	COND MOTOR 1/4 HP, 1 SP, 8 PL (M18, M21, M22, M23, M24, M27, M28, M29)	M10 - GSZ140301KA	
0131M00060	COND MOTOR 1/6 HP, 1 SP, 8 PL (M1, M2, M3, M5, M6, M7, M8, M10, M11, M15)	M11 - GSZ140301KB	
0131M00753	COND MOTOR, 1/6HP, 1SP, 8PL, AL (M4, M9, M12, M13, M14, M16, M17)	M12 - GSZ140301KC	
0131M00754	COND MOTOR, PSC, 1/6HP, 8PL (M19, M20, M25, M26)	M13 - GSZ140301KD	
CONT1P025024V	CONTACTOR 25 AMP, 1P, 24V (M1, M2, M3, M4, M5, M6, M7, M8, M9, M10, M11, M12, M13, M14, M15, M16, M17, M18, M19, M20)	M14 - GSZ140301KE	
CONT1P030024V	CONTACTOR 30 AMP, 1P, 24V (M21, M22, M23, M24, M25, M26, M27, M28, M29)	M15 - GSZ140361KA	
0130M00250	CONTROL, DEFROST	M16 - GSZ140361KB	
0130M00089	CUT-OUT SWITCH, HIGH PRESSURE	M17 - GSZ140361KC	
0130M00088	CUT-OUT SWITCH, LOW PRESSURE	M18 - GSZ140421KA	
PCBDM160	DEFROST CONTROL BOARD (M6, M11)	M19 - GSZ140421KB	
PCBDM133	DEFROST CONTROL BOARD (M1, M2, M3, M4, M5, M7, M8, M9, M10, M12, M13, M14, M15, M16, M17, M18, M19, M20, M21, M22, M23, M24, M25, M26, M27, M28, M29)	M20 - GSZ140421KC	
0130M00106	DISC THERMOSTAT CRNKCS HTR SW	M21 - GSZ140481KA	
10625738	FAN BLADE 26" ALUM CCW (M18, M19, M20, M24, M25, M26, M27, M28, M29)	M22 - GSZ140481KB	
B1086764	FAN BLADE TYPE 2 (M1, M2, M3, M4, M5, M6, M7, M8, M9, M10, M11, M12, M13, M14, M15, M16, M17)	M23 - GSZ140481KC	
B1086765	FAN BLADE TYPE 3 (M21, M22, M23)	M24 - GSZ140491KA	
0163R00007	HEATER, CRANKCASE 230V, 40W (M18, M19, M20, M21, M22, M23, M24, M25, M26, M27, M28, M29)	M25 - GSZ140491KB	
0163R00006	HEATER, CRANKCASE 230V, 40W (M1, M2, M3, M4, M5, M6, M7, M8, M9, M10, M11, M12, M13, M14, M15, M16, M17)	M26 - GSZ140491KC	
		M27 - GSZ140601KA	
		M28 - GSZ140601KB	
		M29 - GSZ140601KC	

Control Cover / Control Box



Control Cover / Control Box

Ref. Part No:	Description:	Ref. Part No:	Description:
Image 1:		Expanded Model Nomenclature	
11	0121R00154PDG PANEL, LOWER ACCESS PNT (M10, M11, M12, M13, M14, M15, M16, M17, M21, M22, M23)	M1 - GSZ140181KA	
11	0121R00328PDG PANEL, LOWER ACCESS PNT (M18, M19, M20)	M2 - GSZ140181KB	
11	0121R00625PDG PANEL, LOWER ACCESS PNT (M1, M2, M3, M4, M5, M6, M7, M8, M9, M24, M25, M26, M27, M28, M29)	M3 - GSZ140181KC	
21	0121R00053PDG CONTROL COVER	M4 - GSZ140181KD	
71	CONT1P025024V CONTACTOR 25 AMP, 1P, 24V (M1, M2, M3, M4, M5, M6, M7, M8, M9, M10, M11, M12, M13, M14, M15, M16, M17, M18, M19, M20)	M5 - GSZ140241KA	
71	CONT1P030024V CONTACTOR 30 AMP, 1P, 24V (M21, M22, M23, M24, M25, M26, M27, M28, M29)	M6 - GSZ140241KB	
81	CAP050300440CS CAP,5/30MFD/440V/DUAL RD (M1, M2, M3, M4)	M7 - GSZ140241KD	
81	CAP050350440CS CAPACITOR 5/35/440V (M5, M6, M7, M8, M9, M10, M11, M12, M13, M14)	M8 - GSZ140241KE	
81	CAP050450440CT CAPACITOR 5/45/440V/DUAL RD (M15, M16, M17, M18, M19, M20, M21, M22, M23, M24, M25, M26)	M9 - GSZ140241KF	
81	CAP050700440CT CAPACITOR 5/70/440V/DUAL RD (M27, M28, M29)	M10 - GSZ140301KA	
91	4400065 CAPACITOR STRAP	M11 - GSZ140301KB	
131	PCBDM133 DEFROST CONTROL BOARD (M1, M2, M3, M4, M5, M7, M8, M9, M10, M12, M13, M14, M15, M16, M17, M18, M19, M20, M21, M22, M23, M24, M25, M26, M27, M28, M29)	M12 - GSZ140301KC	
131	PCBDM160 DEFROST CONTROL BOARD (M6, M11)	M13 - GSZ140301KD	
NS	0161R00009P NAMEPLATE	M14 - GSZ140301KE	
		M15 - GSZ140361KA	
		M16 - GSZ140361KB	
		M17 - GSZ140361KC	
		M18 - GSZ140421KA	
		M19 - GSZ140421KB	
		M20 - GSZ140421KC	
		M21 - GSZ140481KA	
		M22 - GSZ140481KB	
		M23 - GSZ140481KC	
		M24 - GSZ140491KA	
		M25 - GSZ140491KB	
		M26 - GSZ140491KC	
		M27 - GSZ140601KA	
		M28 - GSZ140601KB	
		M29 - GSZ140601KC	

Compressor / Tubing Assembly/Condenser

Image 1

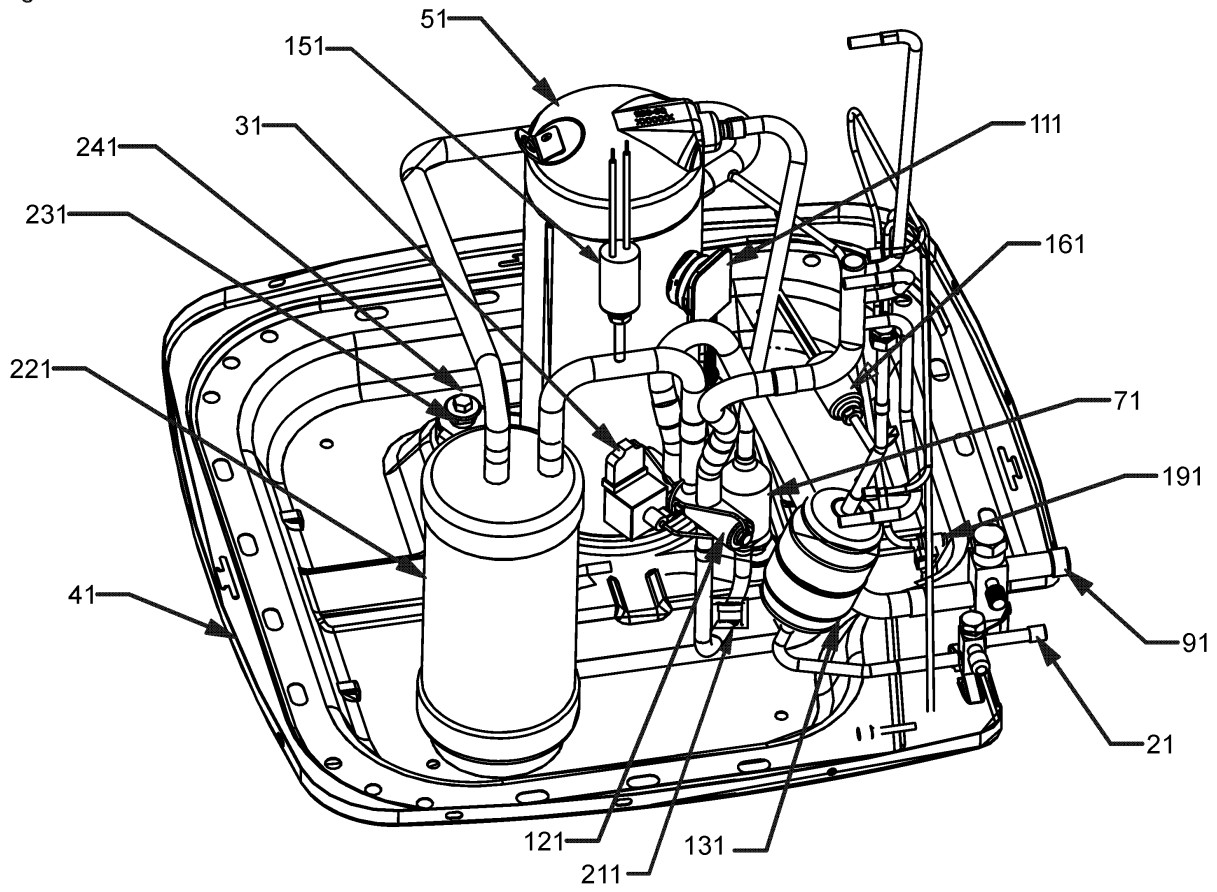
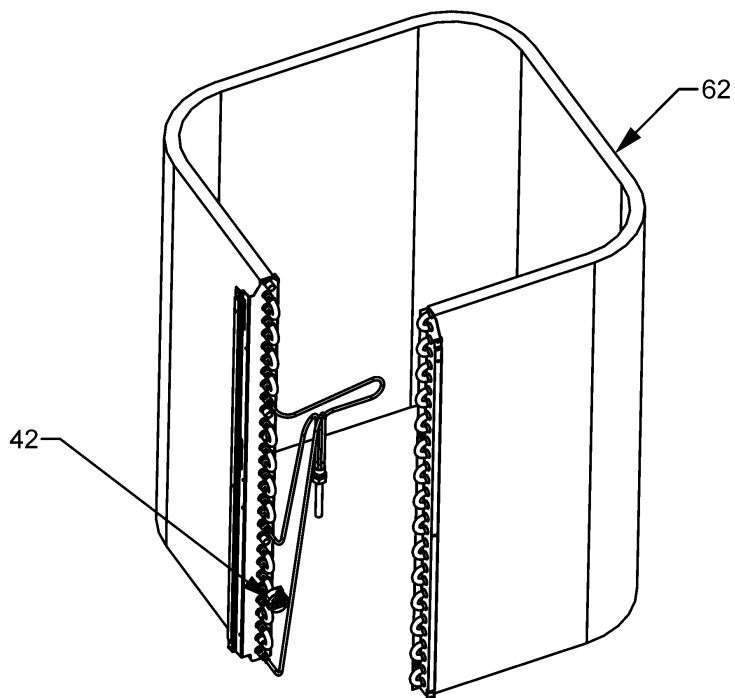


Image 2



Compressor / Tubing Assembly/Condenser

Ref. Part No:	Description:	Ref. Part No:	Description:
Image 1:		Image 2:	
21	0151R00078 BASE VALVE 3/8"	62	0201R00515 COIL TUBING ASSY (M18, M19, M20)
31	B1225022 SOLENOID COIL	62	0201R00541 COIL TUBING ASSY (M15)
41	0121R00006PDG BASE PAN 29" (M1, M2, M3, M4, M5, M6, M7, M8, M9, M10, M11, M12, M13, M14, M15, M16, M17, M21, M22, M23)	62	0201R00567 COIL TUBING ASSY (M24, M25, M26, M27, M28, M29)
41	0121R00007PDG BASE PAN 35" (M18, M19, M20, M24, M25, M26, M27, M28, M29)	62	0201R00581 COIL TUBING ASSY (M21, M22, M23)
51	ZP14K6EPFV130 COMP, 14,000,208/230/60/1 (M1, M2, M3, M4)	62	0201R00668 COIL TUBING ASSY (M1, M2, M3, M4)
51	ZP20K6EPFV130 COMP, 20,000,208/230/60/1 (M5, M6, M7, M8, M9)	62	0201R00669 COIL TUBING ASSY (M5, M6, M7, M8, M9)
51	ZP34K6EPFV130 COMP, 46500, 208/230/60/1 (M18, M19, M20)	62	0201R00670 COIL TUBING ASSY (M10, M11, M12, M13, M14)
51	ZP40K6EPFV130 COMP, 53700, 208/230/60/1 (M21, M22, M23)	62	0201R00671 COIL TUBING ASSY (M16, M17)
51	ZP25K6EPFV130 COMP,34200,208/230/60/1 (M10, M11, M12, M13, M14)	NS	B1789872 FLOW CHECK PISTON KIT (M16, M17)
51	ZP31K6EPFV130 COMP,42500,208/230/60/1 (M15, M16, M17)	NS	B1789851 FLOW CHECK PISTON KIT .051 (M2, M3, M4)
51	ZP39K5EPFV130 COMPRESSOR 39000, 208/230/60/1 (M24, M25, M26)	NS	B1789857 FLOW CHECK PISTON KIT .057 (M5, M7, M8, M9)
51	ZP51K5EPFV130 COMPRESSOR 51000, 208/230/60/1 (M27, M28, M29)	NS	B1789865 FLOW CHECK PISTON KIT .065 (M12, M13, M14)
71	0162R00007 MUFFLER 1/2 X 1/2	NS	B1789878 FLOW CHECK PISTON KIT .078 (M19, M20)
91	0151R00079 BASE VALVE 3/4" (M1, M2, M3, M4, M5, M6, M7, M8, M9, M10, M11, M12, M13, M14, M15, M16, M17)	NS	B1789880 FLOW CHECK PISTON KIT .080 (M21, M22, M23, M25, M26)
91	0151R00080 BASE VALVE 7/8" (M18, M19, M20, M21, M22, M23, M24, M25, M26, M27, M28, M29)	NS	B1789888 FLOW CHECK PISTON KIT .088 (M27, M28, M29)
111	0159R00001P COMPRESSOR SCROLL HARNESS (M1, M2, M3, M4, M5, M6, M7, M8, M9, M10, M11, M12, M13, M14, M15, M16, M17, M21, M22, M23)	Expanded Model Nomenclature	
111	0159R00002P COMPRESSOR SCROLL HARNESS (M18, M19, M20, M24, M25, M26, M27, M28, M29)	M1 - GSZ140181KA	
121	0151M00018 REVERSING VALVE (M8)	M2 - GSZ140181KB	
121	0151M00019 REVERSING VALVE (M14)	M3 - GSZ140181KC	
121	0151M00021 REVERSING VALVE (M23, M29)	M4 - GSZ140181KD	
121	0151R00068 REVERSING VALVE (M1, M2, M3, M4, M5, M6, M7, M9)	M5 - GSZ140241KA	
121	0151R00069 REVERSING VALVE (M10, M11, M12, M13, M15, M16, M17)	M6 - GSZ140241KB	
121	0151R00071 REVERSING VALVE (M18, M19, M20, M21, M22, M24, M25, M26, M27, M28)	M7 - GSZ140241KD	
131	20485201 BI-FLOW FILTER DRIER	M8 - GSZ140241KE	
151	0130M00088 CUT-OUT SWITCH, LOW PRESSURE	M9 - GSZ140241KF	
161	0130M00089 CUT-OUT SWITCH, HIGH PRESSURE	M10 - GSZ140301KA	
211	0130M00106 DISC THERMOSTAT CRNKCS HTR SW	M11 - GSZ140301KB	
221	0151R00004P ACCUMULATOR .750 (M1, M2, M3, M4, M5, M6, M7, M8, M9, M10, M11, M12, M13, M14)	M12 - GSZ140301KC	
221	0151L00008 ACCUMULATOR .875 (M15, M16, M17)	M13 - GSZ140301KD	
221	B1226207 ACCUMULATOR .875 (M18, M19, M20, M21, M22, M23, M24, M25, M26, M27, M28, M29)	M14 - GSZ140301KE	
231	B1339533 COMPRESSOR GROMMET (QTY 4)	M15 - GSZ140361KA	
241	M0221641 TF SHOULDER SCREW (QTY 4)	M16 - GSZ140361KB	
NS	0163R00006 HEATER, CRANKCASE 230V, 40W (M1, M2, M3, M4, M5, M6, M7, M8, M9, M10, M11, M12, M13, M14, M15, M16, M17)	M17 - GSZ140361KC	
NS	0163R00007 HEATER, CRANKCASE 230V, 40W (M18, M19, M20, M21, M22, M23, M24, M25, M26, M27, M28, M29)	M18 - GSZ140421KA	
NS	0130M00083 REVERSING VALVE HARNESS	M19 - GSZ140421KB	
NS	B1787000 VALVE CORE	M20 - GSZ140421KC	
Image 2:		M21 - GSZ140481KA	
42	0130M00250 CONTROL, DEFROST	M22 - GSZ140481KB	
		M23 - GSZ140481KC	
		M24 - GSZ140491KA	
		M25 - GSZ140491KB	
		M26 - GSZ140491KC	
		M27 - GSZ140601KA	
		M28 - GSZ140601KB	
		M29 - GSZ140601KC	

Cabinet Top / Side Panels

IMAGE 1

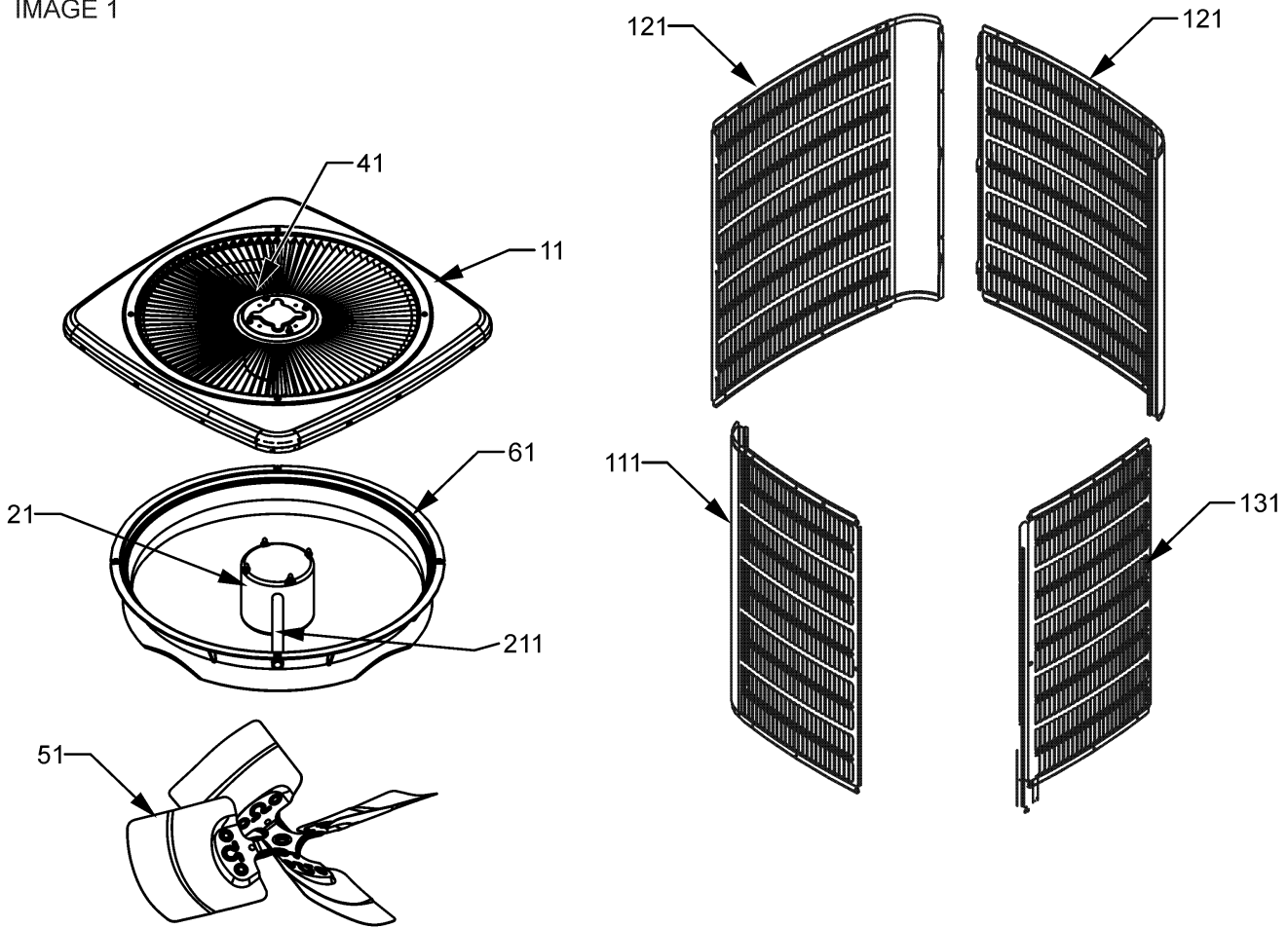
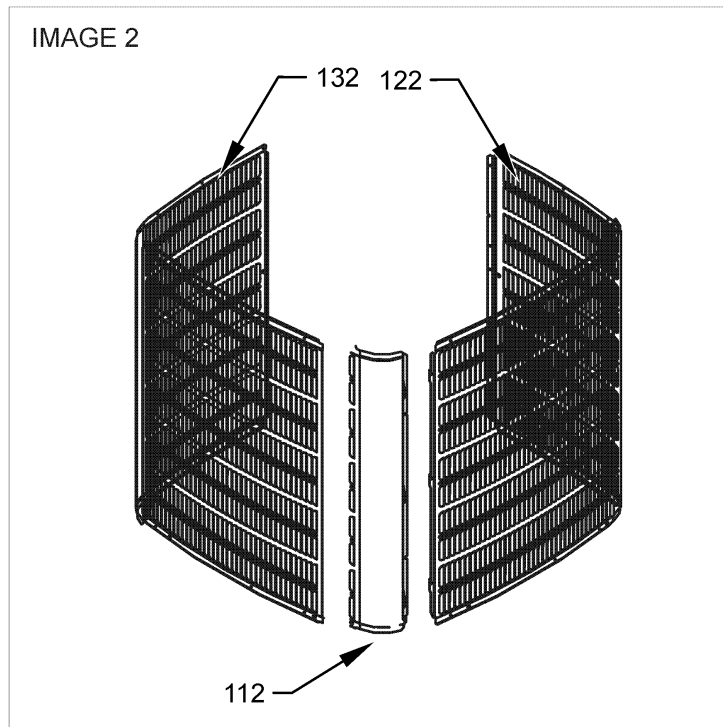


IMAGE 2



Cabinet Top / Side Panels

**Ref. Part
No: No:**

Description:

**Ref. Part
No: No:**

Description:

Image 1:

11	0121R00010PDG	TOP PANEL 29" (M1, M2, M3, M4, M5, M6, M7, M8, M9, M10, M11, M12, M13, M14, M15, M16, M17, M21, M22, M23)
11	0121R00269PDG	TOP PANEL, 35" (M18, M19, M20, M24, M25, M26, M27, M28, M29)
21	0131M00061	COND MOTOR 1/4 HP, 1 SP, 8 PL (M18, M21, M22, M23, M24, M27, M28, M29)
21	0131M00060	COND MOTOR 1/6 HP, 1 SP, 8 PL (M1, M2, M3, M5, M6, M7, M8, M10, M11, M15)
21	0131M00753	COND MOTOR, 1/6HP, 1SP, 8PL, AL (M4, M9, M12, M13, M14, M16, M17)
21	0131M00754	COND MOTOR, PSC, 1/6HP, 8PL (M19, M20, M25, M26)
41	0163M00006P	ACORN NUT 5/16 HEX BLACK (QTY 4)
51	10625738	FAN BLADE 26" ALUM CCW (M18, M19, M20, M24, M25, M26, M27, M28, M29)
51	B1086764	FAN BLADE TYPE 2 (M1, M2, M3, M4, M5, M6, M7, M8, M9, M10, M11, M12, M13, M14, M15, M16, M17)
51	B1086765	FAN BLADE TYPE 3 (M21, M22, M23)
61	0161R00048	MOLDED RING-VENTURI 22 (M1, M2, M3, M4, M5, M6, M7, M8, M9, M10, M11, M12, M13, M14, M15, M16, M17, M21, M22, M23)
61	0161R00049	MOLDED RING-VENTURI 26" (M18, M19, M20, M24, M25, M26, M27, M28, M29)
111	0121R00592PDGB	PANEL 1, BENT LOUVER 35_34.64 (M24, M25, M26, M27, M28, M29)
111	0121R00593PDGB	PANEL 1, BENT LOUVER 35_39.84 (M18, M19, M20)
121	0121R00594PDGB	PANEL 2, BENT LOUVER 35_34.64 (M24, M25, M26, M27, M28, M29)
121	0121R00595PDGB	PANEL 2, BENT LOUVER 35_39.84 (M18, M19, M20)
131	0121R00596PDG	PANEL 3, LOUVER 35_34.64 PNT (M24, M25, M26, M27, M28, M29)
131	0121R00597PDG	PANEL 3, LOUVER 35_39.84 PNT (M18, M19, M20)
211	0161R00002P	CONDUIT (M1, M2, M3, M4, M5, M6, M7, M8, M9, M10, M11, M12, M13, M14, M15, M16, M17, M21, M22, M23)
211	0161R00004P	CONDUIT (M18, M19, M20, M24, M25, M26, M27, M28, M29)

Image 2:

112	0121R00583PDG	LOUVER POST, PDG 33.14 (M1, M2, M3, M4, M5, M6, M7, M8, M9)
112	0121R00355PDG	LOUVER POST, PDG 34.88 (M10, M11, M12, M13, M14, M15, M16, M17, M21, M22, M23)
122	0121R00586PDGRS	LOUVER PANEL, 29" CHASSIS, PNT (M1, M2, M3, M4, M5, M6, M7, M8, M9)
122	0121R00587PDGRS	LOUVER PANEL, 29" CHASSIS, PNT (M10, M11, M12, M13, M14, M15, M16, M17, M21, M22, M23)
132	0121R00586PDGLS	LOUVER PANEL, 29" CHASSIS, PNT (M1, M2, M3, M4, M5, M6, M7, M8, M9)
132	0121R00587PDGLS	LOUVER PANEL, 29" CHASSIS, PNT (M10, M11, M12, M13, M14, M15, M16, M17, M21, M22, M23)

Expanded Model Nomenclature

M1 - GSZ140181KA
M2 - GSZ140181KB
M3 - GSZ140181KC
M4 - GSZ140181KD
M5 - GSZ140241KA
M6 - GSZ140241KB
M7 - GSZ140241KD
M8 - GSZ140241KE
M9 - GSZ140241KF
M10 - GSZ140301KA
M11 - GSZ140301KB
M12 - GSZ140301KC
M13 - GSZ140301KD
M14 - GSZ140301KE
M15 - GSZ140361KA
M16 - GSZ140361KB
M17 - GSZ140361KC
M18 - GSZ140421KA
M19 - GSZ140421KB
M20 - GSZ140421KC
M21 - GSZ140481KA
M22 - GSZ140481KB
M23 - GSZ140481KC
M24 - GSZ140491KA
M25 - GSZ140491KB
M26 - GSZ140491KC
M27 - GSZ140601KA
M28 - GSZ140601KB
M29 - GSZ140601KC