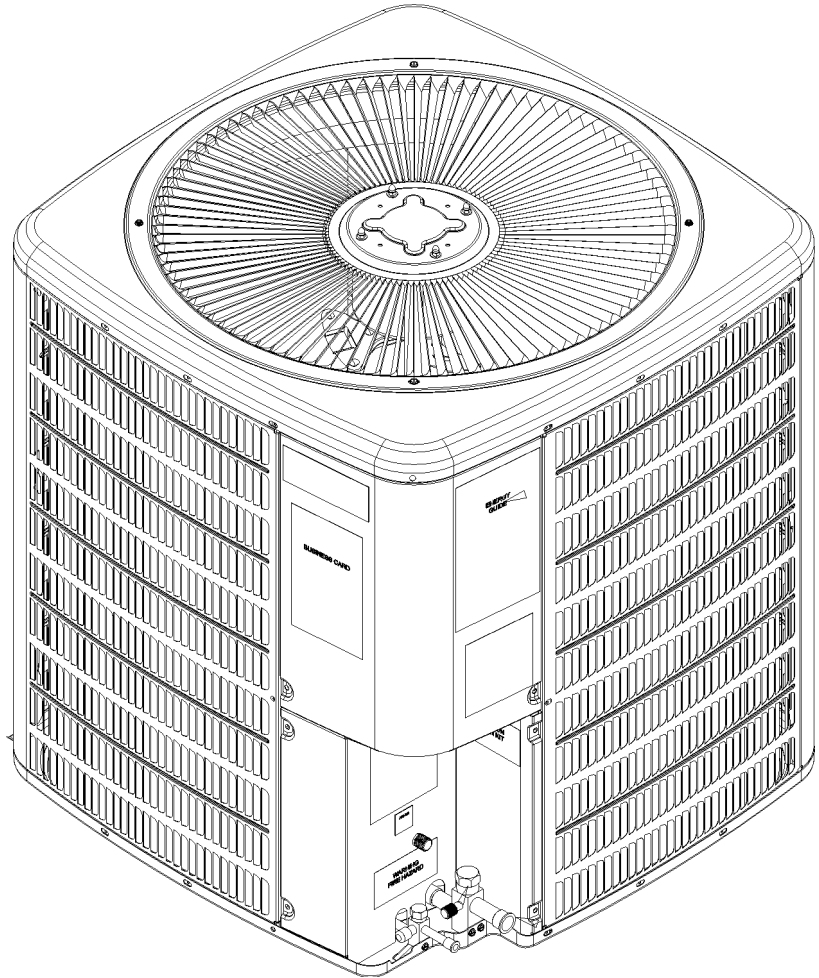


GSZ13 Remote Heat Pump

GSZ130242XCAA
GSZ130362XCAA
GSZ130365XCAA
GSZ130485XCAA
GSZ130605XCAA



This manual is to be used by qualified technicians only.

This manual replaces RP-G4004.

© 2015-2016 Goodman Manufacturing Company, L.P. ♦ 5151 San Felipe St., Suite 500 ♦ Houston, TX 77056

Important Information

Index

Functional Parts List	3
Illustration and Parts	4 - 9

Views shown are for parts illustrations only, not servicing procedures

Text Codes:

AR - As Required

NA - Not Available

NS - Not Shown

00000000 - See Note

QTY - Quantity Example (QTY 3) (If Quantity not shown, Quantity = 1)

M - Model Example (M1) (If M Code not shown, then part is used on all Models)

Expanded Model Nomenclature:

Example M1 - Model#1 M2 - Model#2 M3 - Model#3

Goodman Manufacturing Company, L.P. is not responsible for personal injury or property damage resulting from improper service. Review all service information before beginning repairs.

Warranty service must be performed by an authorized technician, using authorized factory parts. If service is required after the warranty expires, Goodman Manufacturing Company, L.P. also recommends contacting an authorized technician and using authorized factory parts.

Goodman Manufacturing Company, L.P. reserves the right to discontinue, or change at any time, specifications or designs without notice or without incurring obligations.

For assistance within the U.S.A. contact:
Consumer Affairs Department
Goodman Manufacturing Company, L.P.
7401 Security Way
Houston, Texas 77040
877-254-4729-Telephone
713-863-2382-Facsimile

For assistance outside the U.S.A. contact:
International Division
Goodman Manufacturing Company, L.P.
7401 Security Way
Houston, Texas 77040
713-861-2500-Telephone
713-863-2382-Facsimile

Functional Parts

Part

No: **Description:**

B1226206	ACCUMULATOR (M1)
0151R00004P	ACCUMULATOR .750 (M2, M3)
B1226207	ACCUMULATOR .875 (M4, M5)
0151R00079	BASE VALVE 3/4" (M1, M2, M3)
0151R00078	BASE VALVE 3/8"
0151R00080	BASE VALVE 7/8" (M4, M5)
CAP050600440CT	CAP, 5/60 MFD/440V/DUAL RD (M2)
CAP050350440CS	CAPACITOR 5/35/440V (M1)
CAP050000370LA	CAPACITOR 5/370V (M3, M4, M5)
ZP25K5EPFJ130	COMP, 20400, 220/240/50/1 (M1)
ZP36K5ETFD130	COMP, 29300, 380/420/50/3 (M3)
ZP49K5ETFD130	COMP, 40700, 380/420/50/3 (M4)
ZP57K5ETFD130	COMPRESSOR (M5)
ZP36K5EPFJ130	COMPRESSOR (M2)
B13400249	COND MOTOR 1/3 HP, 460V (M5)
B13400500	COND MOTOR 1/4 HP, 220-240V 50HZ (M1, M2)
B13400269	COND MOTOR 380/460 50/60 CYCLE (M3, M4)
CONT1P025024V	CONTACTOR 25 AMP, 1P, 24V (M1, M2)
CONT3P025024V	CONTACTOR 25 AMP, 3P, 24V (M3, M4, M5)
0130M00105	CONTROL, DEFROST (M4, M5)
0130M00098	CONTROL, DEFROST (M1, M2, M3)
0130M00089	CUT-OUT SWITCH, HIGH PRESSURE
0130M00088	CUT-OUT SWITCH, LOW PRESSURE
PCBDM133	DEFROST CONTROL BOARD
0130M00106	DISC THERMOSTAT CRNKCS HTR SW
B1086750	FAN BLADE 22", 3 BLADE, 24° (M4)
0150M00013	FAN BLADE 26" CCW (M5)
0150M00033	FAN BLADE, 20", 3 BLADE, 24DEG (M1)
0150M00022	FAN BLADE, 22" (M2, M3)
0163R00006	HEATER, CRANKCASE 230V, 40W (M1)
0163R00007	HEATER, CRANKCASE 230V, 40W (M2, M3, M4, M5)
0151R00067	REVERSING VALVE (M1)
0151R00070	REVERSING VALVE (M4, M5)
0151R00069	REVERSING VALVE (M2, M3)

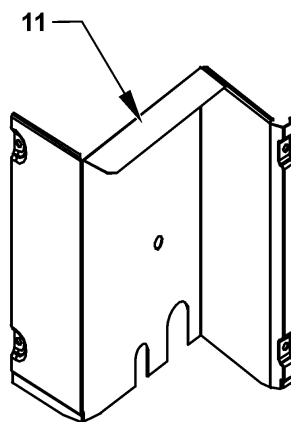
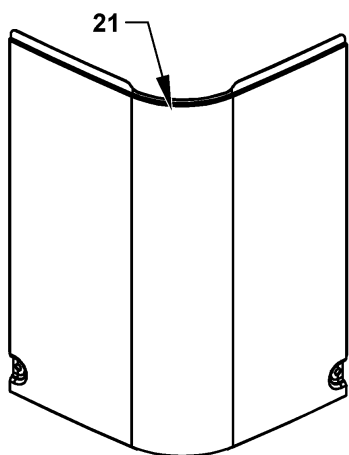
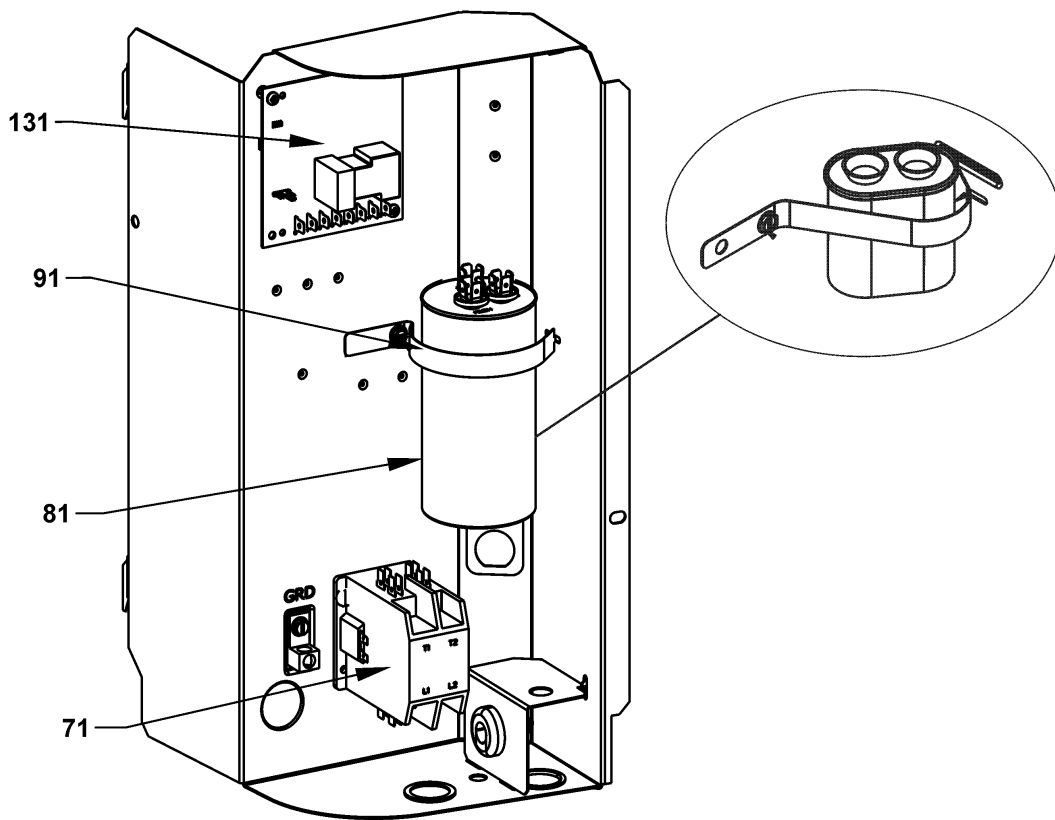
SPECIAL PARTS

0161R00009P NAMEPLATE

Expanded Model Nomenclature

M1 - GSZ130242XCAA
M2 - GSZ130362XCAA
M3 - GSZ130365XCAA
M4 - GSZ130485XCAA
M5 - GSZ130605XCAA

Control Cover / Control Box



Control Cover / Control Box

Ref. Part No: No:	Description:	Ref. Part No: No:	Description:
-------------------	--------------	-------------------	--------------

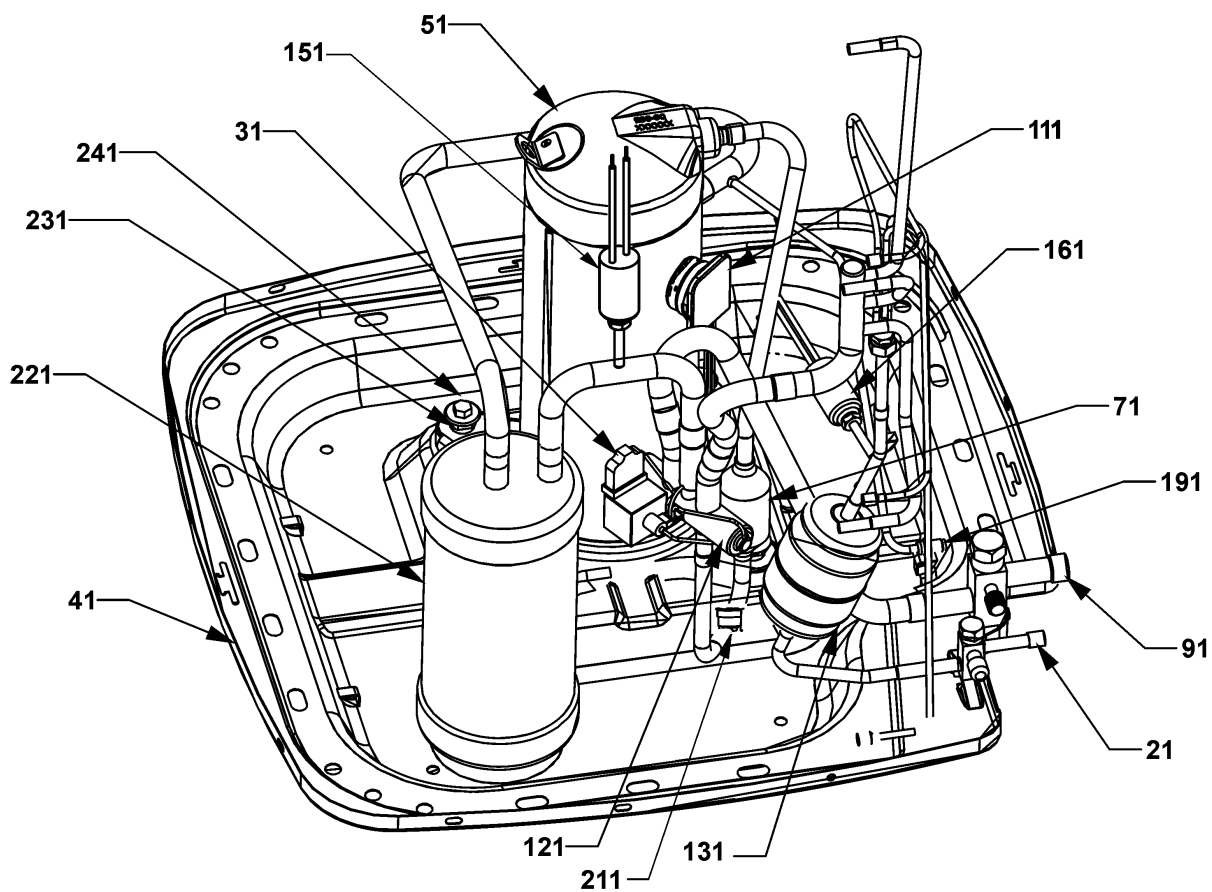
Image 1:

11	0121R00321PDG	PANEL, LOWER ACCESS (M4, M5)
11	0121R00663PDG	PANEL, LOWER ACCESS (M1, M2, M3)
21	0121R00053PDG	CONTROL COVER
71	CONT1P025024V	CONTACTOR 25 AMP, 1P, 24V (M1, M2)
71	CONT3P025024V	CONTACTOR 25 AMP, 3P, 24V (M3, M4, M5)
81	CAP050600440CT	CAP, 5/60 MFD/440V/DUAL RD (M2)
81	CAP050350440CS	CAPACITOR 5/35/440V (M1)
81	CAP050000370LA	CAPACITOR 5/370V (M3, M4, M5)
91	4400065	CAPACITOR STRAP
131	PCBDM133	DEFROST CONTROL BOARD
NS	0161R00009P	NAMEPLATE

Expanded Model Nomenclature

M1 - GSZ130242XCAA
M2 - GSZ130362XCAA
M3 - GSZ130365XCAA
M4 - GSZ130485XCAA
M5 - GSZ130605XCAA

Compressor / Tubing Assembly



Compressor / Tubing Assembly

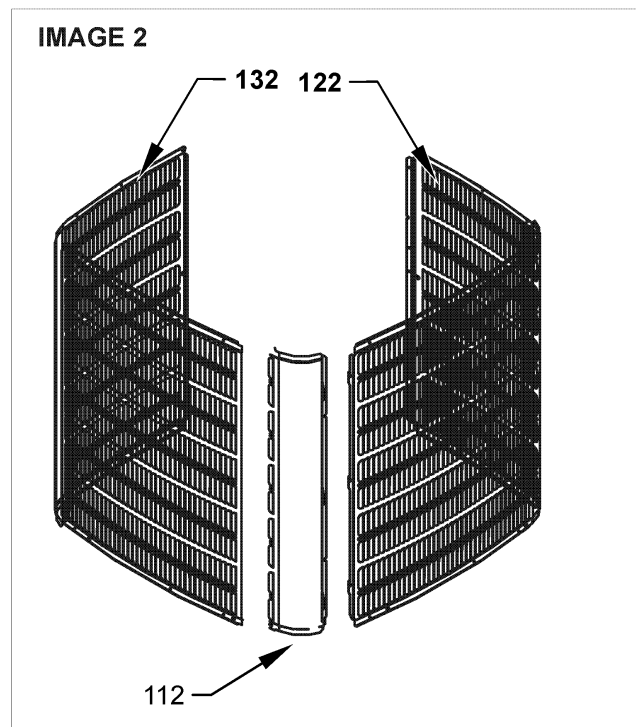
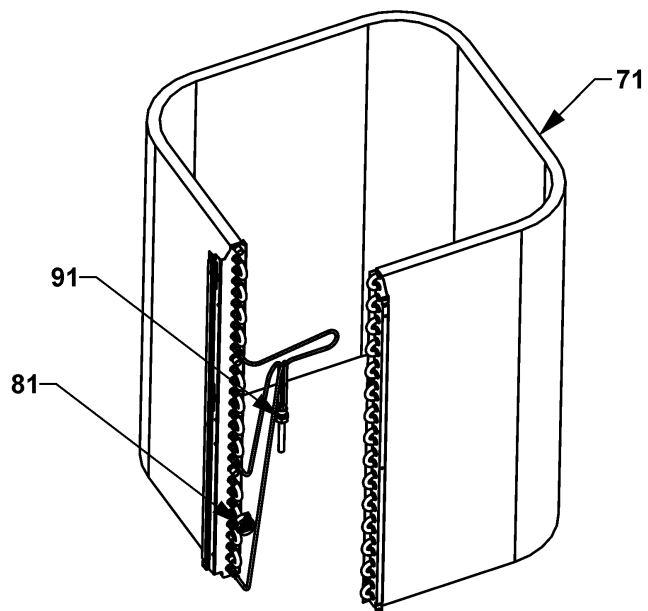
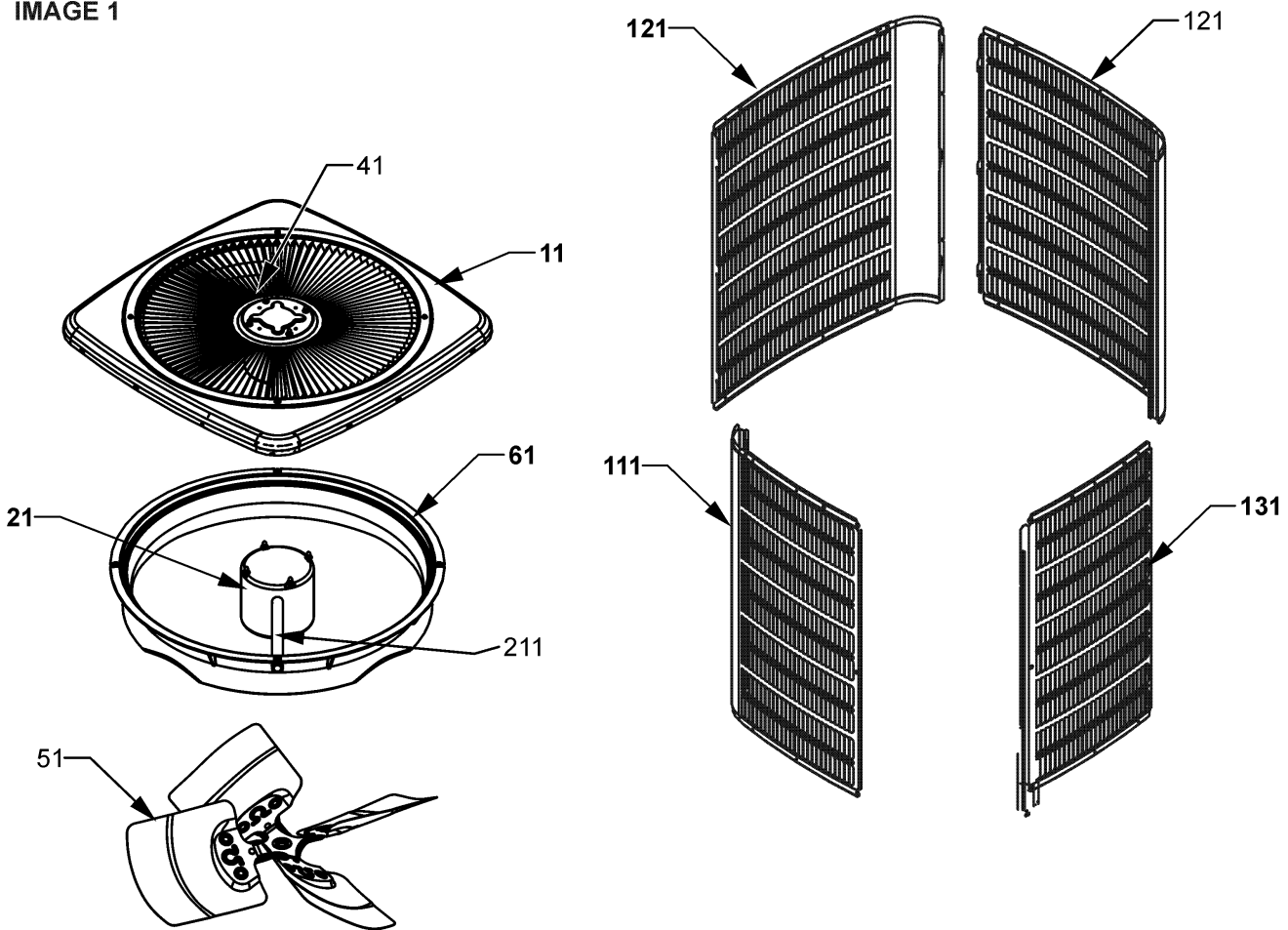
Ref. Part No: No:	Description:	Ref. Part No: No:	Description:
Image 1:			
21	0151R00078		BASE VALVE 3/8"
31	0130M00083		REVERSING VALVE HARNESS
41	0121R00005PDG		BASE PAN 26" (M1)
41	0121R00006PDG		BASE PAN 29" (M2, M3, M4)
41	0121R00007PDG		BASE PAN 35" (M5)
51	ZP25K5EPFJ130		COMP, 20400, 220/240/50/1 (M1)
51	ZP36K5ETFD130		COMP, 29300, 380/420/50/3 (M3)
51	ZP49K5ETFD130		COMP, 40700, 380/420/50/3 (M4)
51	ZP36K5EPFJ130		COMPRESSOR (M2)
51	ZP57K5ETFD130		COMPRESSOR (M5)
71	B1219301		MUFFLER 1/2 X 1/2
91	0151R00079		BASE VALVE 3/4" (M1, M2, M3)
91	0151R00080		BASE VALVE 7/8" (M4, M5)
111	0159R00009		COMPRESSOR SCROLL HARNESS
121	0151R00067		REVERSING VALVE (M1)
121	0151R00069		REVERSING VALVE (M2, M3)
121	0151R00070		REVERSING VALVE (M4, M5)
131	20485201		BI-FLOW FILTER DRIER
151	0130M00088		CUT-OUT SWITCH, LOW PRESSURE
161	0130M00089		CUT-OUT SWITCH, HIGH PRESSURE
191	B1787000		VALVE CORE
211	0130M00106		DISC THERMOSTAT CRNKCS HTR SW
221	B1226206		ACCUMULATOR (M1)
221	0151R00004P		ACCUMULATOR .750 (M2, M3)
221	B1226207		ACCUMULATOR .875 (M4, M5)
231	B1339533		COMPRESSOR GROMMET (QTY 4)
241	M0221641		TF SHOULDER SCREW (QTY 4)
NS	20270812		COMPENSATOR (M2, M3)
NS	20270815		COMPENSATOR (M1)
NS	0163R00006		HEATER, CRANKCASE 230V, 40W (M1)
NS	0163R00007		HEATER, CRANKCASE 230V, 40W (M2, M3, M4, M5)
NS	B1225022		SOLENOID COIL

Expanded Model Nomenclature

M1 - GSZ130242XCAA
M2 - GSZ130362XCAA
M3 - GSZ130365XCAA
M4 - GSZ130485XCAA
M5 - GSZ130605XCAA

Cabinet Top/Condenser/Side Panels

IMAGE 1



Cabinet Top/Condenser/Side Panels

Ref. Part No: No:	Description:	Ref. Part No: No:	Description:
-------------------	--------------	-------------------	--------------

Image 1:

11	0121R00008PDG	TOP PANEL 26" (M1)
11	0121R00010PDG	TOP PANEL 29" (M2, M3, M4)
11	0121R00269PDG	TOP PANEL, 35" (M5)
21	B13400249	COND MOTOR 1/3 HP, 460V (M5)
21	B13400500	COND MOTOR 1/4 HP, 220-240V 50HZ (M1, M2)
21	B13400269	COND MOTOR 380/460 50/60 CYCLE (M3, M4)
41	0163M00006P	ACORN NUT 5/16 HEX BLACK (QTY 4)
51	B1086750	FAN BLADE 22", 3 BLADE, 24° (M4)
51	0150M00013	FAN BLADE 26" CCW (M5)
51	0150M00033	FAN BLADE, 20", 3 BLADE, 24DEG (M1)
51	0150M00022	FAN BLADE, 22" (M2, M3)
61	0161L00000	VENTURI RING 22" (M2, M3, M4)
61	0161R00007P	VENTURI RING 35" (M5)
71	0201R00154S	COIL TUBING ASSY (M4)
71	0201R00155S	COIL TUBING ASSY (M5)
71	0201R00285	COIL TUBING ASSY (M2, M3)
71	0201R00317	COIL TUBING ASSY (M1)
81	0130M00098	CONTROL, DEFROST (M1, M2, M3)
81	0130M00105	CONTROL, DEFROST (M4, M5)
91	B1789857	FLOW CHECK PISTON KIT .057 (M1)
91	B1789871	FLOW CHECK PISTON KIT .071 (M2, M3)
91	B1789878	FLOW CHECK PISTON KIT .078 (M4)
91	B1789888	FLOW CHECK PISTON KIT .088 (M5)
111	0121R00042PDGB	LOUVERED SIDE PANEL [LT OF CNTL PNL] (M5)
121	0121R00046PDGB	LOUVERED SIDE PANEL (M5)
131	0121R00050PDG	LOUVERED SIDE PANEL [RT OF CNTL PNL] (M5)
211	0161R00001P	CONDUIT (M1)
211	0161R00002P	CONDUIT (M2, M3, M4)
211	0161R00004P	CONDUIT (M5)

Image 2:

112	0121R00350PDG	LOUVER POST (M1, M2, M3)
112	0121R00351PDG	LOUVER POST 30.49 (M4)
122	0121R00343PDGRS	LOUVER PANEL 29"_30.49 (M4)
122	0121R00337PDGRS	Louver Panel, PDG 26"_28.73 (M1)
122	0121R00342PDGRS	Louver Panel, PDG 29"_28.73 (M2, M3)
132	0121R00343PDGLS	LOUVER PANEL 29"_30.49 (M4)
132	0121R00337PDGLS	Louver Panel, PDG 26"_28.73 (M1)
132	0121R00342PDGLS	Louver Panel, PDG 29"_28.73 (M2, M3)

Expanded Model Nomenclature

M1 - GSZ130242XCAA
M2 - GSZ130362XCAA
M3 - GSZ130365XCAA
M4 - GSZ130485XCAA
M5 - GSZ130605XCAA