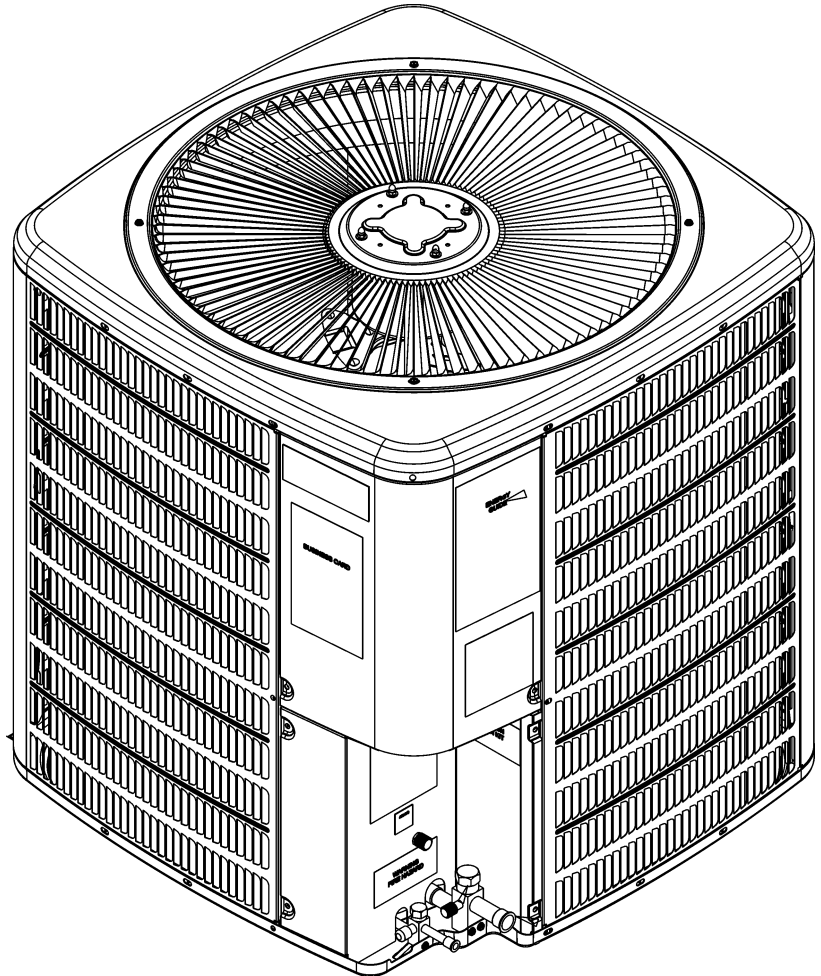


GSZ13 Remote Heat Pump

GSZ130601AE



This manual is to be used by qualified technicians only.

© 2016 Goodman Manufacturing Company, L.P. ♦ 5151 San Felipe St., Suite 500 ♦ Houston, TX 77056

Important Information

Index

Functional Parts List	3
Illustration and Parts	4 - 9

Views shown are for parts illustrations only, not servicing procedures.

Text Codes:

AR - As Required

NA - Not Available

NS - Not Shown

00000000 - See Note

QTY - Quantity Example (QTY 3) (If Quantity not shown, Quantity = 1)

M - Model Example (M1) (If M Code not shown, then part is used on all Models)

Expanded Model Nomenclature:

Example M1 - Model#1 M2 - Model#2 M3 - Model#3

Goodman Manufacturing Company, L.P. is not responsible for personal injury or property damage resulting from improper service. Review all service information before beginning repairs.

Warranty service must be performed by an authorized technician, using authorized factory parts. If service is required after the warranty expires, Goodman Manufacturing Company, L.P. also recommends contacting an authorized technician and using authorized factory parts.

Goodman Manufacturing Company, L.P. reserves the right to discontinue, or change at any time, specifications or designs without notice or without incurring obligations.

For assistance within the U.S.A. contact:
Homeowner Support
Goodman Manufacturing Company, L.P.
19001 Kermier Road
Waller, Texas 77484
877-254-4729-Telephone
713-863-2382-Facsimile

For assistance outside the U.S.A. contact:
International Division
Goodman Manufacturing Company, L.P.
19001 Kermier Road
Waller, Texas 77484
713-861-2500-Telephone
713-863-2382-Facsimile

Functional Parts

Part

No: **Description:**

B1226207	ACCUMULATOR .875
0151R00078	BASE VALVE 3/8"
0151R00080	BASE VALVE 7/8"
CAP050700440CT	CAPACITOR 5/70/440V/DUAL RD
ZP51K5EPFV130	COMPRESSOR 51000, 208/230/60/1
CONT1P030024V	CONTACTOR 30 AMP, 1P, 24V
0130M00105	CONTROL, DEFROST
0130M00089	CUT-OUT SWITCH, HIGH PRESSURE
0130M00088	CUT-OUT SWITCH, LOW PRESSURE
PCBDM133	DEFROST CONTROL BOARD
0130M00106	DISC THERMOSTAT CRNKCS HTR SW
0150M00013	FAN BLADE 26" CCW
0163R00007	HEATER, CRANKCASE 230V, 40W
0131M00807	MOTOR, 1/4HP,1SP,8PL,AL
0151M00020	REVERSING VALVE

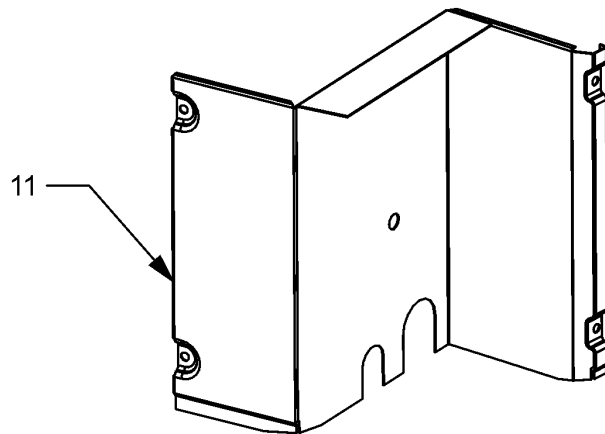
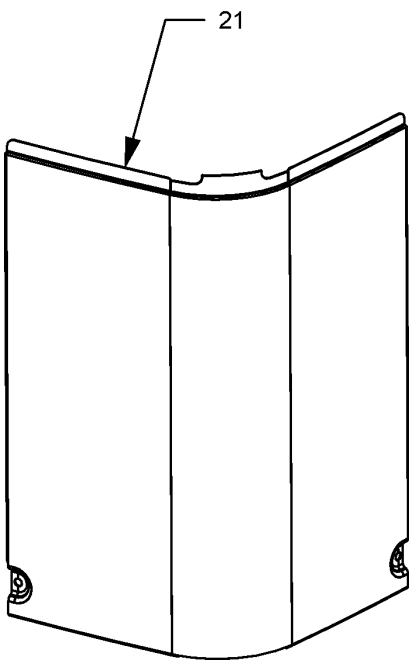
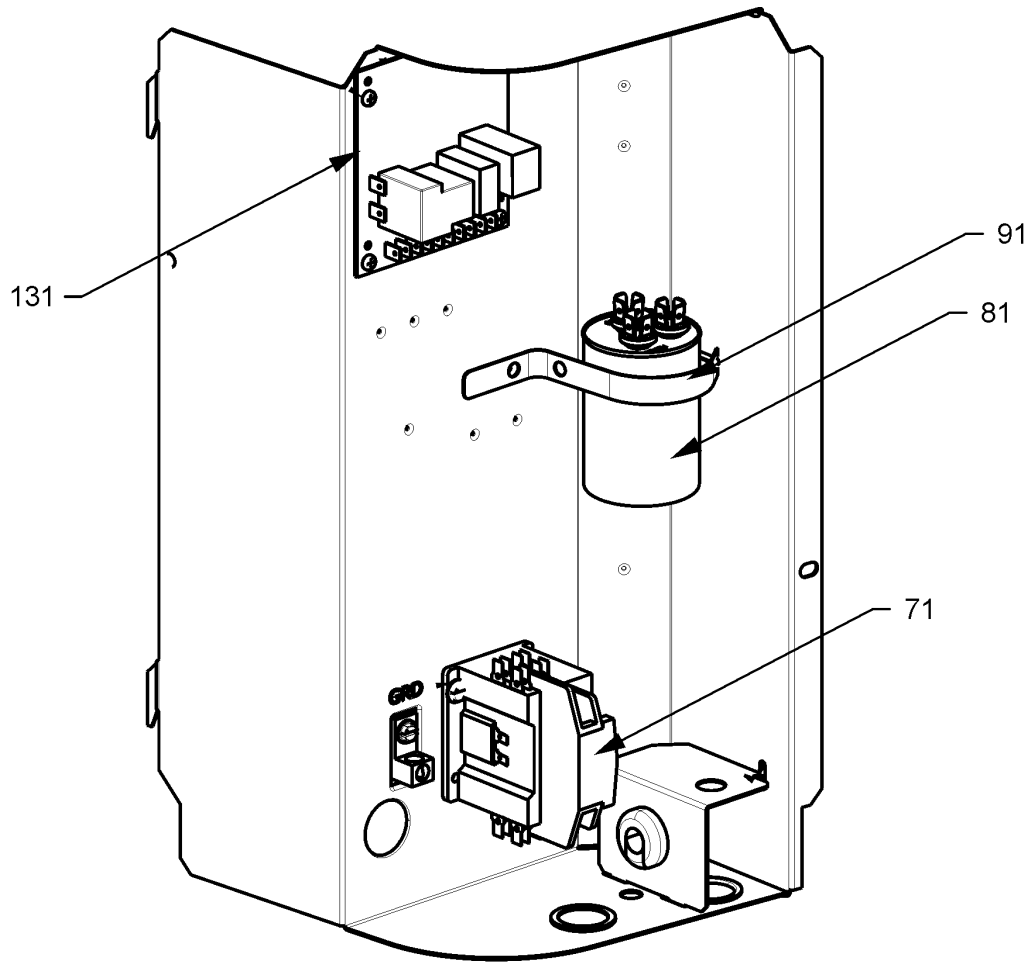
SPECIAL PARTS

0161R00009P NAMEPLATE

Expanded Model Nomenclature

M1 - GSZ130601AE

Control Cover / Control Box Assembly



Control Cover / Control Box Assembly

Ref. Part No: No:	Description:	Ref. Part No: No:	Description:
-------------------	--------------	-------------------	--------------

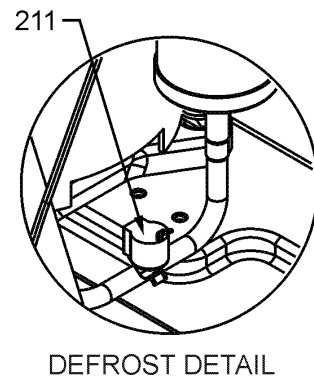
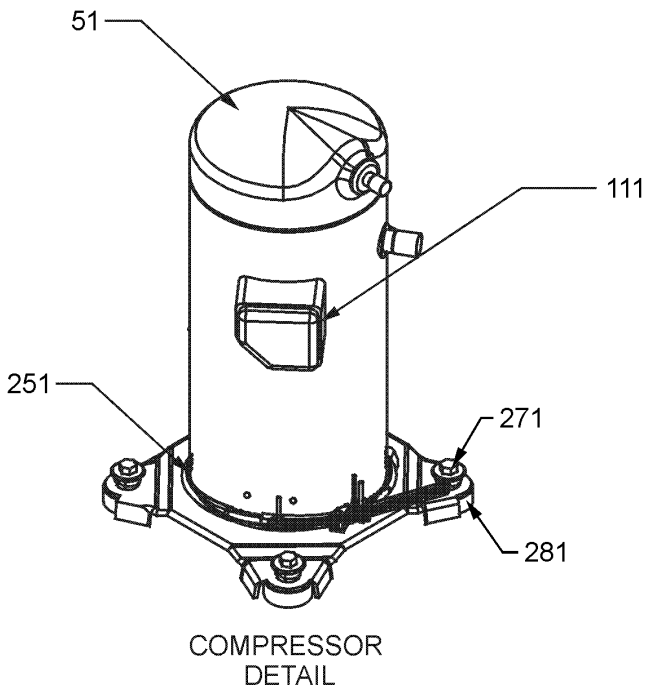
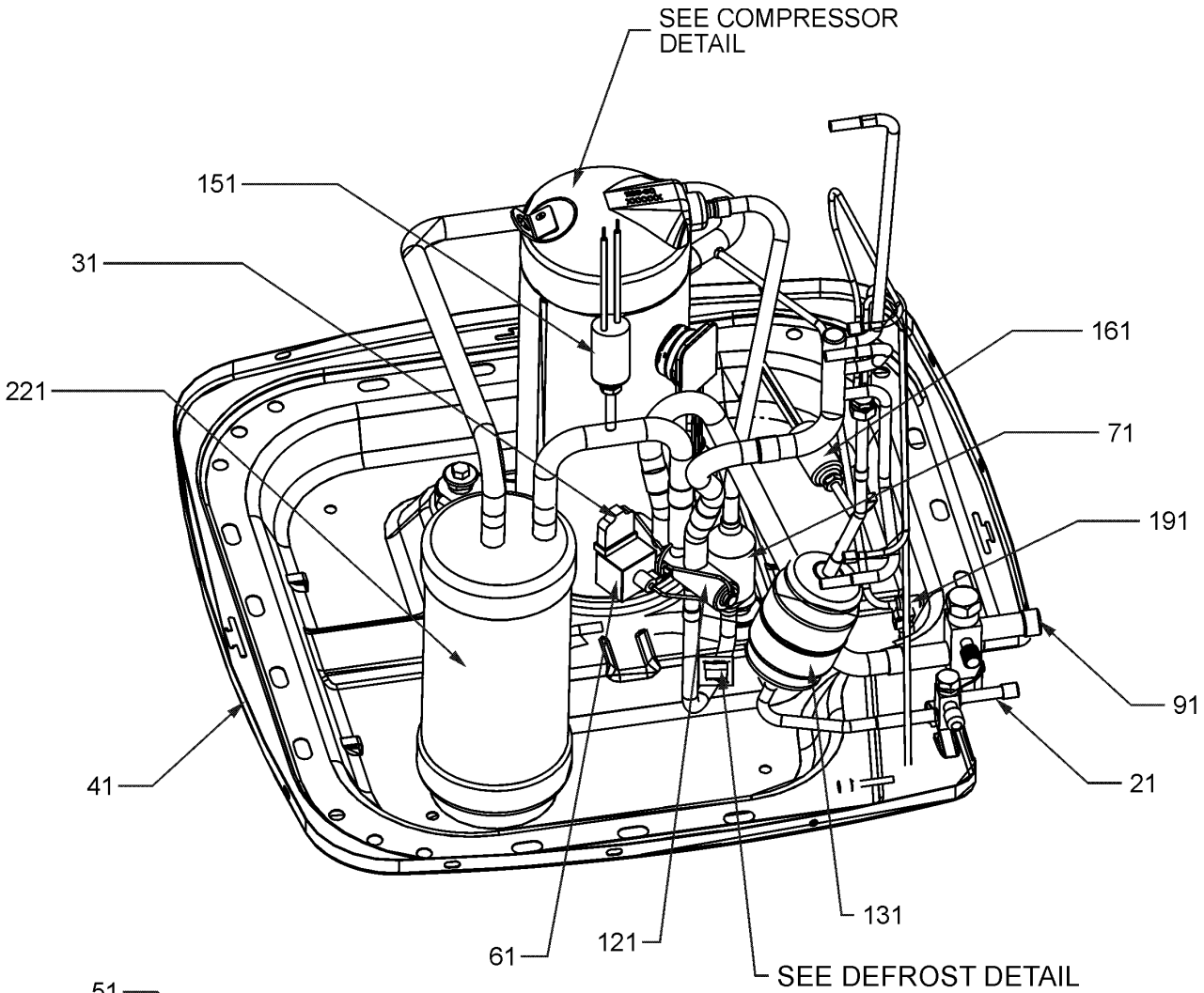
Image 1:

11	0121R00321PDG	PANEL, LOWER ACCESS PNT
21	0121R00053PDG	CONTROL COVER
71	CONT1P030024V	CONTACTOR 30 AMP, 1P, 24V
81	CAP050700440CT	CAPACITOR 5/70/440V/DUAL RD
91	4400065	CAPACITOR STRAP
131	PCBDM133	DEFROST CONTROL BOARD
NS	0161R00009P	NAMEPLATE

Expanded Model Nomenclature

M1 - GSZ130601AE

Compressor / Tubing Assembly



Compressor / Tubing Assembly

Ref. Part No: No:	Description:	Ref. Part No: No:	Description:
-------------------	--------------	-------------------	--------------

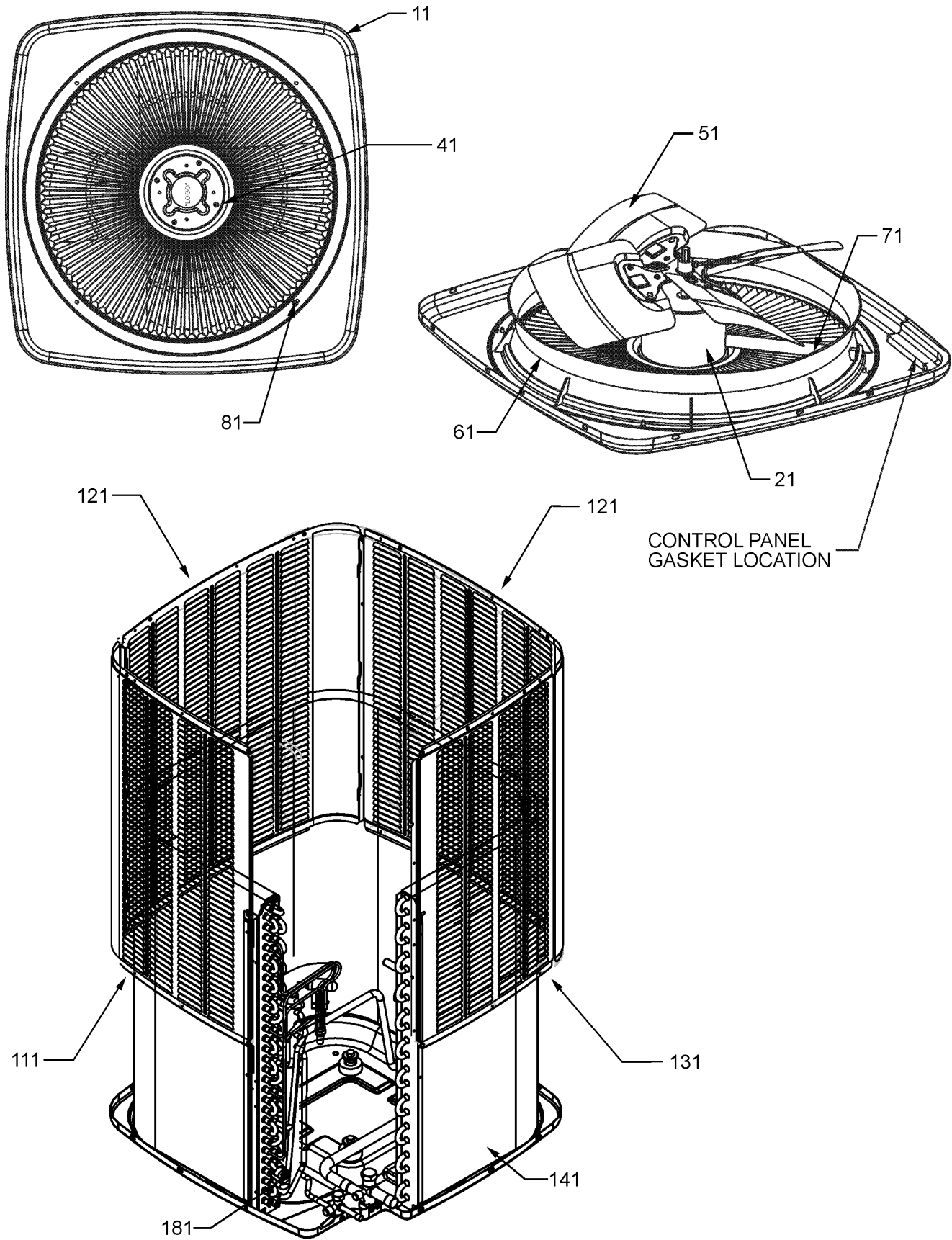
Image 1:

21	0151R00078	BASE VALVE 3/8"
31	0130M00083	SOLENOID HARNESS W/1/4" TERM
41	0121R00007PDG	BASE PAN 35"
51	ZP51K5EPFV130	COMPRESSOR 51000, 208/230/60/1
61	B1225022	SOLENOID COIL
71	B1219301	MUFFLER 1/2 X 1/2
91	0151R00080	BASE VALVE 7/8"
111	0159R00002P	COMPRESSOR SCROLL HARNESS
121	0151M00020	REVERSING VALVE
131	20485201	BI-FLOW FILTER DRIER
151	0130M00088	CUT-OUT SWITCH, LOW PRESSURE
161	0130M00089	CUT-OUT SWITCH, HIGH PRESSURE
191	B1787000	VALVE CORE
211	0130M00106	DISC THERMOSTAT CRNKCS HTR SW
221	B1226207	ACCUMULATOR .875
251	0163R00007	HEATER, CRANKCASE 230V, 40W
271	M0221641	TF SHOULDER SCREW (QTY 4)
281	B1339533	COMPRESSOR GROMMET (QTY 4)
NS	0130M00083	REVERSING VALVE HARNESS

Expanded Model Nomenclature

M1 - GSZ130601AE

Cabinet Top / Side Panel Assembly



Cabinet Top / Side Panel Assembly

Ref. Part No:	No:	Description:	Ref. Part No:	No:	Description:
---------------	-----	--------------	---------------	-----	--------------

Image 1:

11	0121R00269PDG	Top Panel, 35" Pnt
21	0131M00807	MOTOR, 1/4HP,1SP,8PL,AL
41	0163M00006P	ACORN NUT 5/16 HEX BLACK (QTY 4)
51	0150M00013	FAN BLADE 26" CCW
61	0161R00007P	VENTURI RING 35"
71	0161R00004P	CONDUIT
81	0163M00004	SCREW #10X3/4", BLACK (QTY 4)
111	0121R00042PDGB	LOUVERED SIDE PANEL [LT OF CNTL PNL]
121	0121R00046PDGB	LOUVERED SIDE PANEL (QTY 2)
131	0121R00050PDG	LOUVERED SIDE PANEL [RT OF CNTL PNL]
141	0201R00155S	TUBING ASSY, COND COIL
181	0130M00105	CONTROL, DEFROST
NS	B1789888	FLOW CHECK PISTON KIT .088
NS	0154R00006	GASKET, CONTROL PANEL
NS	0154R00006	GASKET, CONTROL PANEL
NS	0163M00005P	WASHER, BLACK (.50 OD .218ID) (QTY 4)

Expanded Model Nomenclature

M1 - GSZ130601AE