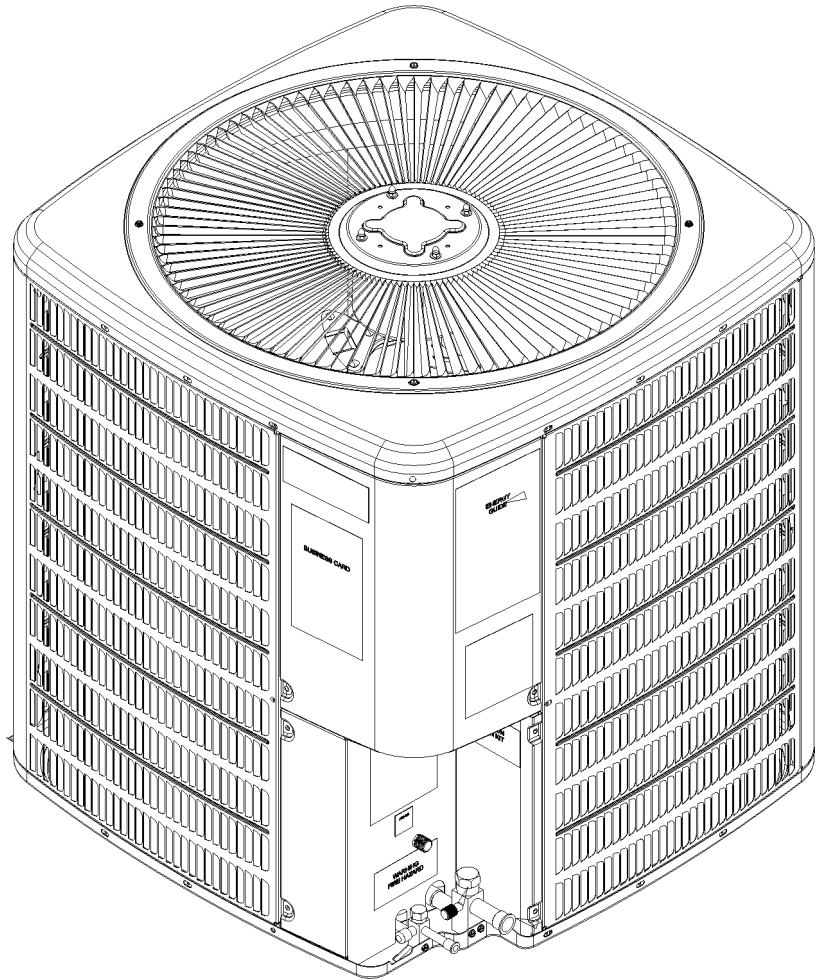


**GSZ13 Remote Heat Pump**

GSZ130181AH  
GSZ130191AE  
GSZ130241BF  
GSZ130251AD  
GSZ130301AJ  
GSZ130311AE  
GSZ130361BF  
GSZ130371AD  
GSZ130421AJ  
GSZ130421AK  
GSZ130421AL  
GSZ130481AH  
GSZ130601AF



This manual is to be used by qualified technicians only.

# Important Information

---

## Index

Functional Parts List .....	3
Illustration and Parts .....	4 - 9

*Views shown are for parts illustrations only, not servicing procedures*

### Text Codes:

AR - As Required

NA - Not Available

NS - Not Shown

00000000 - See Note

QTY - Quantity Example (QTY 3) (If Quantity not shown, Quantity = 1)

M - Model Example (M1) (If M Code not shown, then part is used on all Models)

### Expanded Model Nomenclature:

Example M1 - Model#1 M2 - Model#2 M3 - Model#3
---

Goodman Manufacturing Company, L.P. is not responsible for personal injury or property damage resulting from improper service. Review all service information before beginning repairs.

Warranty service must be performed by an authorized technician, using authorized factory parts. If service is required after the warranty expires, Goodman Manufacturing Company, L.P. also recommends contacting an authorized technician and using authorized factory parts.

Goodman Manufacturing Company, L.P. reserves the right to discontinue, or change at any time, specifications or designs without notice or without incurring obligations.

For assistance within the U.S.A. contact:  
Homeowner Support  
Goodman Manufacturing Company, L.P.  
19001 Kermier Road  
Waller, Texas 77484  
877-254-4729-Telephone  
713-863-2382-Facsimile

For assistance outside the U.S.A. contact:  
International Division  
Goodman Manufacturing Company, L.P.  
19001 Kermier Road  
Waller, Texas 77484  
713-861-2500-Telephone  
713-863-2382-Facsimile

# Functional Parts

**Part No:**            **Description:**

0131M00811	1/8 HP 8 PL PSC MOTOR (M1, M5)
B1226206	ACCUMULATOR (M1, M2, M3, M4, M5, M6)
0151R00004P	ACCUMULATOR .750 (M7, M8)
B1226207	ACCUMULATOR .875 (M9, M10, M11, M12, M13)
0151R00079	BASE VALVE 3/4" (M1, M2, M3, M4, M5, M6, M7, M8)
0151R00078	BASE VALVE 3/8"
0151R00080	BASE VALVE 7/8" (M9, M10, M11, M12, M13)
CAP050300440CS	CAP.5/30MFD/440V/DUAL RD (M1, M2)
CAP050400440CT	CAPACITOR 5/40/440V/DUAL RD (M3, M4, M5, M6)
CAP050450440CT	CAPACITOR 5/45/440V/DUAL RD (M7, M8, M9, M10, M11, M12)
CAP050700440CT	CAPACITOR 5/70/440V/DUAL RD (M13)
ZP16K5EPFV130	COMPRESSOR 15500, 208/230/60/1 (M1, M2)
ZP21K5EPFV130	COMPRESSOR 21300, 208/230/60/1 (M3, M4)
ZP25K5EPFV130	COMPRESSOR 25200, 208/230/60/1 (M5, M6)
ZP31K5EPFV130	COMPRESSOR 31100, 208/230/60/1 (M7, M8)
ZP34K5EPFV130	COMPRESSOR 34500, 208/230/60/1 (M9, M10, M11)
ZP39K5EPFV130	COMPRESSOR 39000, 208/230/60/1 (M12)
ZP51K5EPFV130	COMPRESSOR 51000, 208/230/60/1 (M13)
0131M00018P	COND MOTOR 1/4 HP, 1 SP, 6 PL (M10)
CONT1P025024V	CONTACTOR 25 AMP, 1P, 24V (M1, M2, M3, M4, M5, M6, M7, M8, M9, M10, M11)
CONT1P030024V	CONTACTOR 30 AMP, 1P, 24V (M12, M13)
0130M00105	CONTROL, DEFROST (M1, M2, M5, M6, M9, M10, M11, M12, M13)
0130M00098	CONTROL, DEFROST (M3, M4, M7, M8)
0130M00089	CUT-OUT SWITCH, HIGH PRESSURE
0130M00088	CUT-OUT SWITCH, LOW PRESSURE
PCBDM133	DEFROST CONTROL BOARD
0130M00106	DISC THERMOSTAT CRNKCS HTR SW
0150M00018	FAN BLADE 20" (M1)
0150M00012	FAN BLADE 20" CCW (M5)
B1086750	FAN BLADE 22", 3 BLADE, 24° (M12)
0150M00013	FAN BLADE 26" CCW (M13)
0150M00031	FAN BLADE, 20", 3 BLADE, 21DEG (M2)
0150M00033	FAN BLADE, 20", 3 BLADE, 24DEG (M3, M4, M6)
0150M00022	FAN BLADE, 22" (M7, M8, M9, M10, M11)
0163R00006	HEATER, CRANKCASE 230V, 40W (M1, M2, M3, M4, M5, M6, M7, M8)
0163R00007	HEATER, CRANKCASE 230V, 40W (M9, M10, M11, M12, M13)
0131M00813	MOTOR, 1/4HP, 1SP, 6PL (M7, M8, M9, M11, M12)
0131M00807	MOTOR, 1/4HP,1SP,8PL,AL (M13)
0131M00800	MOTOR, 1/8HP, 1SP, 6PL, AL (M2, M3, M4, M6)
0151R00071	REVERSING VALVE (M9, M10, M11)
0151M00020	REVERSING VALVE (M13)
0151R00067	REVERSING VALVE (M3, M4)
0151R00068	REVERSING VALVE (M1, M2, M5, M6)
0151R00070	REVERSING VALVE (M12)
0151R00069	REVERSING VALVE (M7, M8)

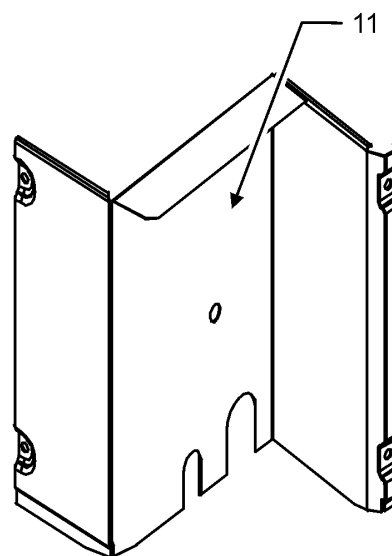
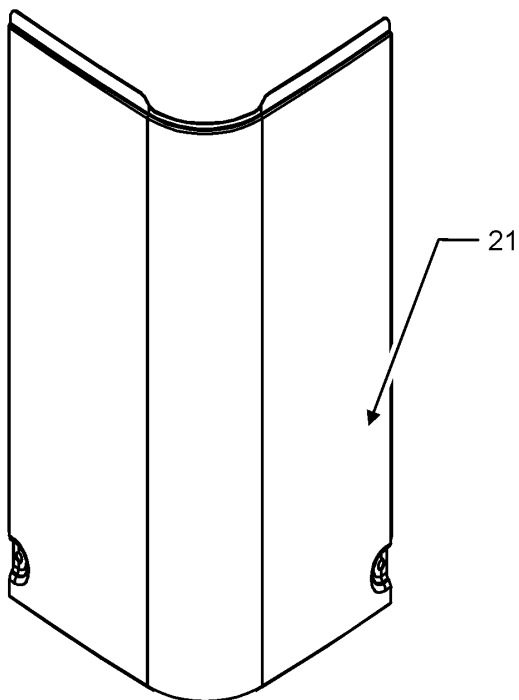
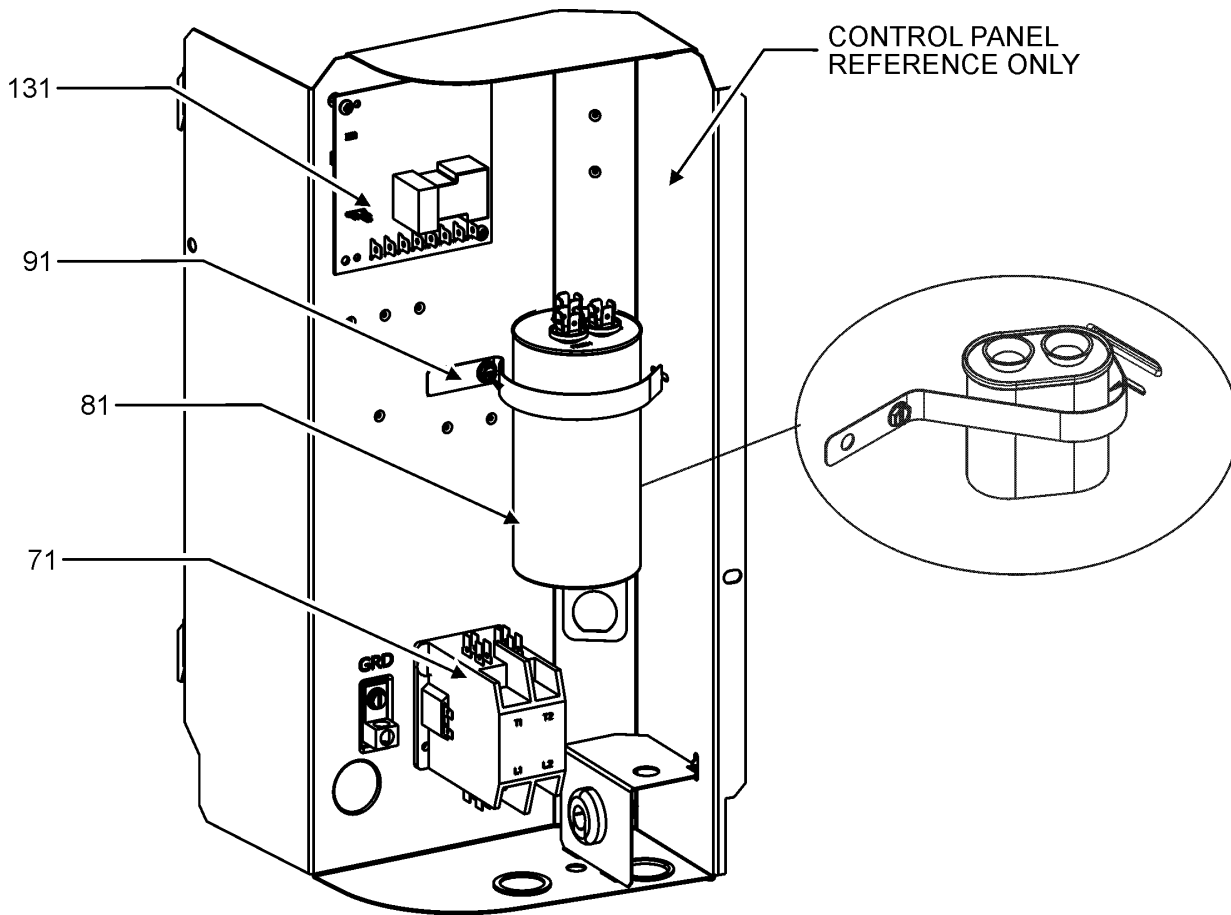
## Expanded Model Nomenclature

M1 - GSZ130181AH
M2 - GSZ130191AE
M3 - GSZ130241BF
M4 - GSZ130251AD
M5 - GSZ130301AJ
M6 - GSZ130311AE
M7 - GSZ130361BF
M8 - GSZ130371AD
M9 - GSZ130421AJ
M10 - GSZ130421AK
M11 - GSZ130421AL
M12 - GSZ130481AH
M13 - GSZ130601AF

### SPECIAL PARTS

0161R00009P	NAMEPLATE
-------------	-----------

# Control Box and Cover Assembly



UPPER ACCESS COVER

LOWER ACCESS PANEL

# Control Box and Cover Assembly

Ref. Part No: No:	Description:	Ref. Part No: No:	Description:
-------------------	--------------	-------------------	--------------

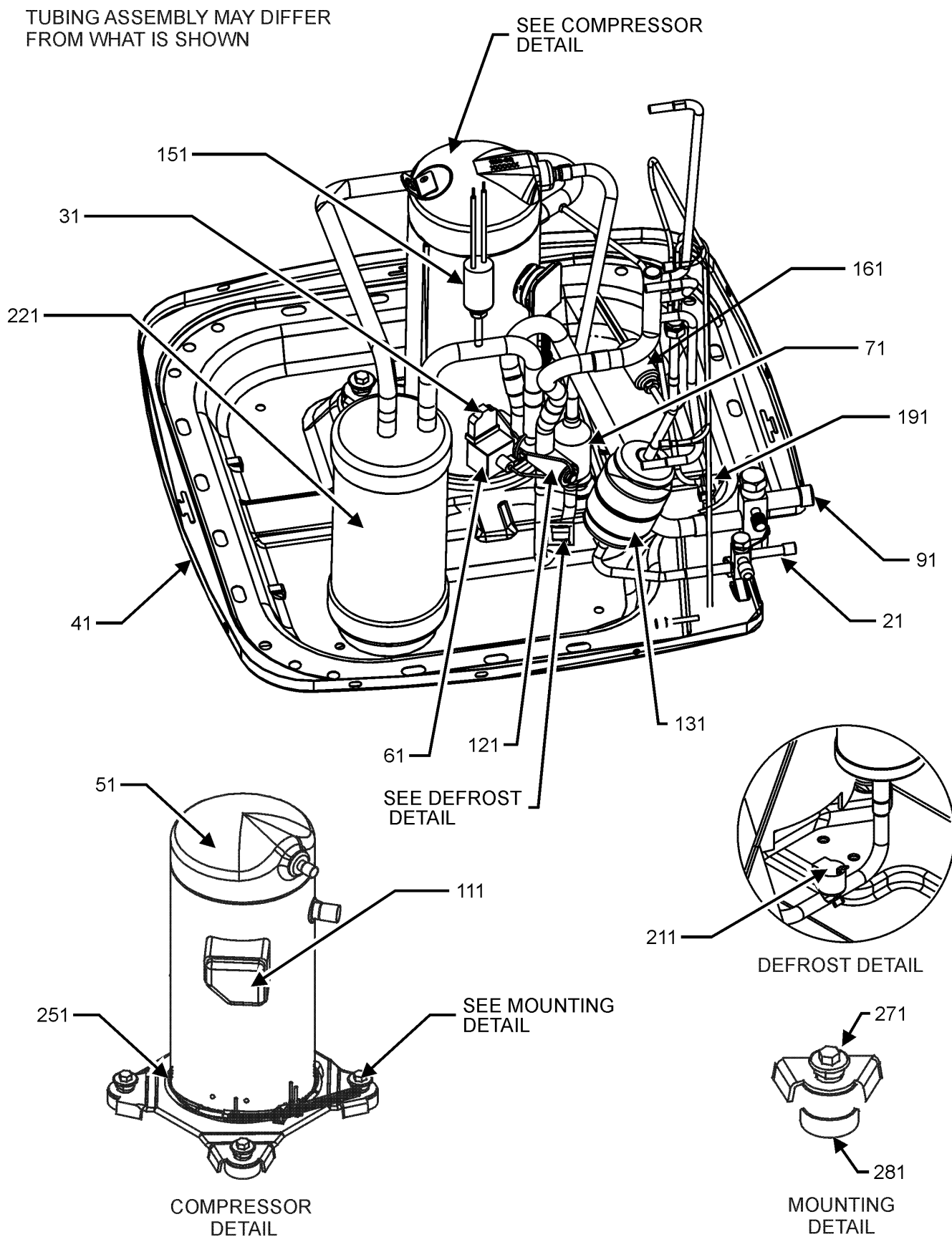
**Image 1:**

11	0121R00663PDG	LOWER ACCESS PANEL (M1, M2, M3, M4, M5, M6, M7, M8)
11	0121R00318PDG	PANEL, LOWER ACCESS PNT (M9, M10, M11)
11	0121R00321PDG	PANEL, LOWER ACCESS PNT (M12, M13)
21	0121R00053PDG	CONTROL COVER
71	CONT1P025024V	CONTACTOR 25 AMP, 1P, 24V (M1, M2, M3, M4, M5, M6, M7, M8, M9, M10, M11)
71	CONT1P030024V	CONTACTOR 30 AMP, 1P, 24V (M12, M13)
81	CAP050300440CS	CAP.5/30MFD/440V/DUAL RD (M1, M2)
81	CAP050400440CT	CAPACITOR 5/40/440V/DUAL RD (M3, M4, M5, M6)
81	CAP050450440CT	CAPACITOR 5/45/440V/DUAL RD (M7, M8, M9, M10, M11, M12)
81	CAP050700440CT	CAPACITOR 5/70/440V/DUAL RD (M13)
91	4400065	CAPACITOR STRAP
131	PCBDM133	DEFROST CONTROL BOARD
NS	0161R00009P	NAMEPLATE

**Expanded Model Nomenclature**

- M1 - GSZ130181AH
- M2 - GSZ130191AE
- M3 - GSZ130241BF
- M4 - GSZ130251AD
- M5 - GSZ130301AJ
- M6 - GSZ130311AE
- M7 - GSZ130361BF
- M8 - GSZ130371AD
- M9 - GSZ130421AJ
- M10 - GSZ130421AK
- M11 - GSZ130421AL
- M12 - GSZ130481AH
- M13 - GSZ130601AF

# Compressor and Tubing Assembly

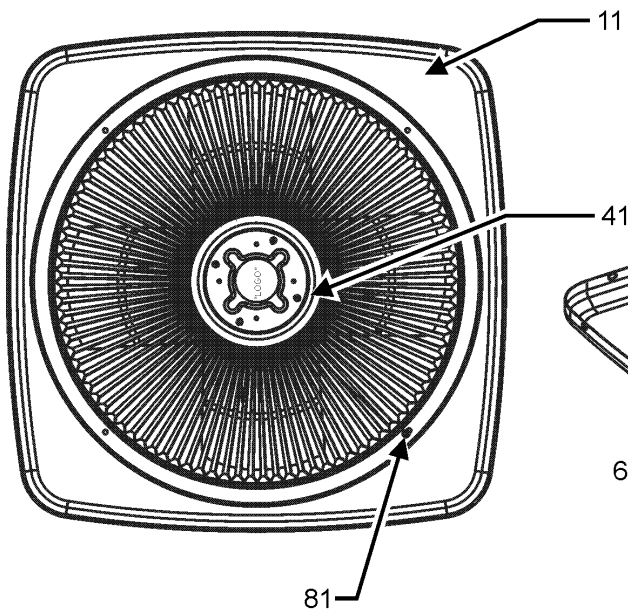


# Compressor and Tubing Assembly

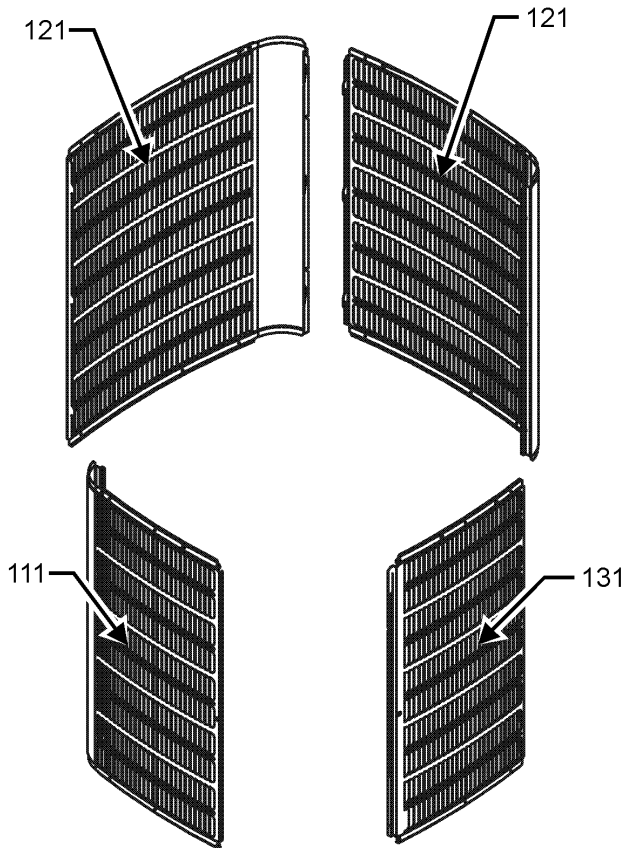
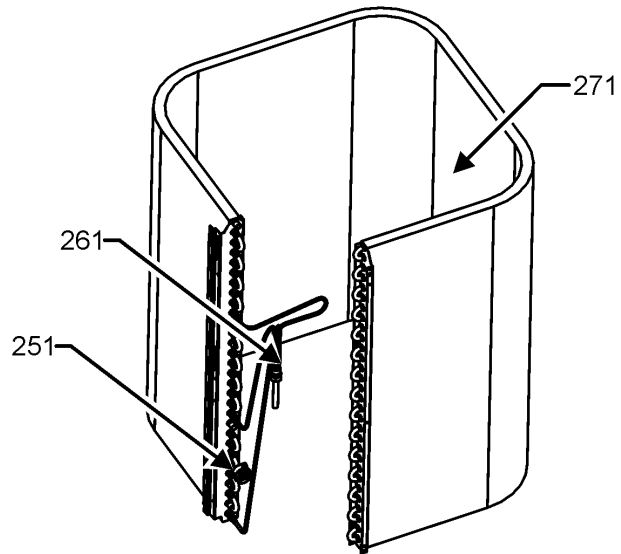
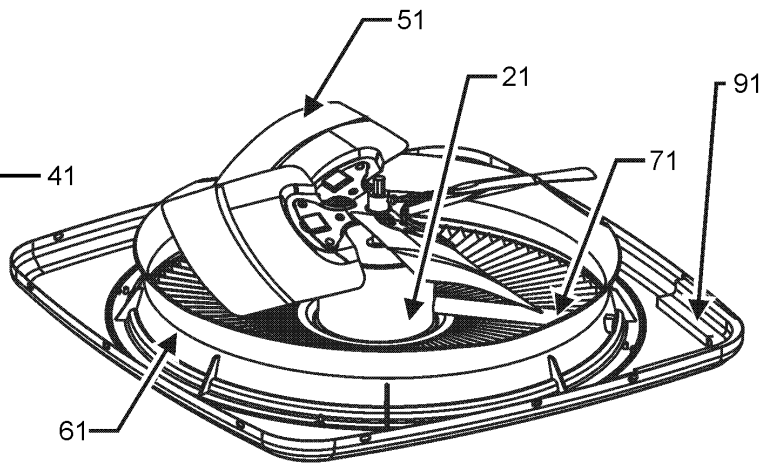
Ref. Part No:	Description:	Ref. Part No:	Description:
<b>Image 1:</b>		<b>Expanded Model Nomenclature</b>	
21	0151R00078 BASE VALVE 3/8"	M1	GSZ130181AH
31	0130M00083 SOLENOID HARNESS W/1/4" TERM	M2	GSZ130191AE
41	0121R00005PDG BASE PAN 26" (M1, M2, M3, M4, M5, M6)	M3	GSZ130241BF
41	0121R00006PDG BASE PAN 29" (M7, M8, M9, M10, M11, M12)	M4	GSZ130251AD
41	0121R00007PDG BASE PAN 35" (M13)	M5	GSZ130301AJ
51	ZP16K5EPFV130 COMPRESSOR 15500, 208/230/60/1 (M1, M2)	M6	GSZ130311AE
51	ZP21K5EPFV130 COMPRESSOR 21300, 208/230/60/1 (M3, M4)	M7	GSZ130361BF
51	ZP25K5EPFV130 COMPRESSOR 25200, 208/230/60/1 (M5, M6)	M8	GSZ130371AD
51	ZP31K5EPFV130 COMPRESSOR 31100, 208/230/60/1 (M7, M8)	M9	GSZ130421AJ
51	ZP34K5EPFV130 COMPRESSOR 34500, 208/230/60/1 (M9, M10, M11)	M10	GSZ130421AK
51	ZP39K5EPFV130 COMPRESSOR 39000, 208/230/60/1 (M12)	M11	GSZ130421AL
51	ZP51K5EPFV130 COMPRESSOR 51000, 208/230/60/1 (M13)	M12	GSZ130481AH
61	B1225022 SOLENOID COIL	M13	GSZ130601AF
71	B1219301 MUFFLER 1/2 X 1/2		
91	0151R00079 BASE VALVE 3/4" (M1, M2, M3, M4, M5, M6, M7, M8)		
91	0151R00080 BASE VALVE 7/8" (M9, M10, M11, M12, M13)		
111	0159R00000P COMPRESSOR SCROLL HARNESS (M1, M2, M3, M4, M5, M6)		
111	0159R00001P COMPRESSOR SCROLL HARNESS (M7, M8, M9, M10, M11, M12)		
111	0159R00002P COMPRESSOR SCROLL HARNESS (M13)		
121	0151M00020 REVERSING VALVE (M13)		
121	0151R00067 REVERSING VALVE (M3, M4)		
121	0151R00068 REVERSING VALVE (M1, M2, M5, M6)		
121	0151R00069 REVERSING VALVE (M7, M8)		
121	0151R00070 REVERSING VALVE (M12)		
121	0151R00071 REVERSING VALVE (M9, M10, M11)		
131	20485201 BI-FLOW FILTER DRIER		
151	0130M00088 CUT-OUT SWITCH, LOW PRESSURE		
161	0130M00089 CUT-OUT SWITCH, HIGH PRESSURE		
191	B1787000 VALVE CORE		
211	0130M00106 DISC THERMOSTAT CRNKCS HTR SW		
221	B1226206 ACCUMULATOR (M1, M2, M3, M4, M5, M6)		
221	0151R00004P ACCUMULATOR .750 (M7, M8)		
221	B1226207 ACCUMULATOR .875 (M9, M10, M11, M12, M13)		
251	0163R00006 HEATER, CRANKCASE 230V, 40W (M1, M2, M3, M4, M5, M6, M7, M8)		
251	0163R00007 HEATER, CRANKCASE 230V, 40W (M9, M10, M11, M12, M13)		
271	M0221641 TF SHOULDER SCREW (QTY 4)		
281	B1339533 COMPRESSOR GROMMET (QTY 4)		
NS	20270812 COMPENSATOR (M7, M8)		
NS	20270815 COMPENSATOR (M3, M4)		
NS	0130M00083 REVERSING VALVE HARNESS		

# Cabinet Top and Side Panel Assy

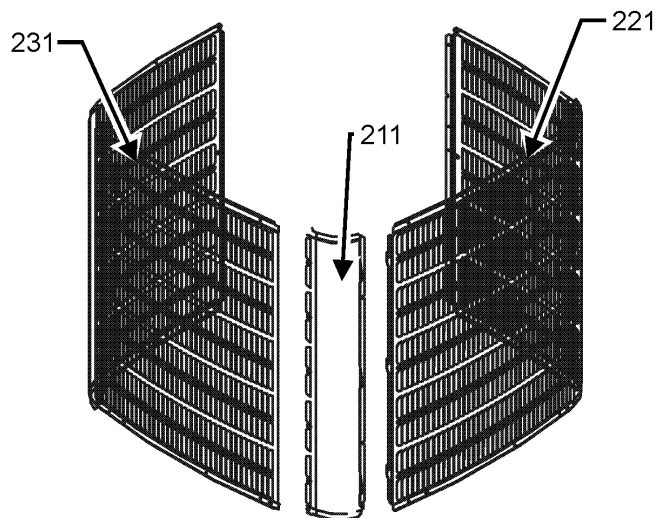
TOP VIEW



BOTTOM VIEW



LOUVER PANEL ASSEMBLY  
STYLE 1



LOUVER PANEL ASSEMBLY  
STYLE 2

# Cabinet Top and Side Panel Assy

Ref. Part No:	Part No:	Description:	Ref. Part No:	Part No:	Description:													
<b>Image 1:</b>			<b>Image 1:</b>															
11	0121R00008PDG	TOP PANEL 26" (M1, M2, M3, M4, M5, M6)	271	0201R00325	COIL TUBING ASSY (M5)													
11	0121R00010PDG	TOP PANEL 29" (M7, M8, M9, M10, M11, M12)	271	0201R00416	COIL TUBING ASSY (M2)													
11	0121R00269PDG	Top Panel, 35" Pnt (M13)	271	0201R00417	COIL TUBING ASSY (M4)													
21	0131M00811	1/8 HP 8 PL PSC MOTOR (M1, M5)	271	0201R00419	COIL TUBING ASSY (M6)													
21	0131M00018P	COND MOTOR 1/4 HP, 1 SP, 6 PL (M10)	271	0201R00420	COIL TUBING ASSY (M8)													
21	0131M000813	MOTOR, 1/4HP, 1SP, 6PL (M7, M8, M9, M11, M12)	<b>Expanded Model Nomenclature</b>															
21	0131M00807	MOTOR, 1/4HP, 1SP, 8PL, AL (M13)	<table border="1"> <tr><td>M1 - GSZ130181AH</td></tr> <tr><td>M2 - GSZ130191AE</td></tr> <tr><td>M3 - GSZ130241BF</td></tr> <tr><td>M4 - GSZ130251AD</td></tr> <tr><td>M5 - GSZ130301AJ</td></tr> <tr><td>M6 - GSZ130311AE</td></tr> <tr><td>M7 - GSZ130361BF</td></tr> <tr><td>M8 - GSZ130371AD</td></tr> <tr><td>M9 - GSZ130421AJ</td></tr> <tr><td>M10 - GSZ130421AK</td></tr> <tr><td>M11 - GSZ130421AL</td></tr> <tr><td>M12 - GSZ130481AH</td></tr> <tr><td>M13 - GSZ130601AF</td></tr> </table>			M1 - GSZ130181AH	M2 - GSZ130191AE	M3 - GSZ130241BF	M4 - GSZ130251AD	M5 - GSZ130301AJ	M6 - GSZ130311AE	M7 - GSZ130361BF	M8 - GSZ130371AD	M9 - GSZ130421AJ	M10 - GSZ130421AK	M11 - GSZ130421AL	M12 - GSZ130481AH	M13 - GSZ130601AF
M1 - GSZ130181AH																		
M2 - GSZ130191AE																		
M3 - GSZ130241BF																		
M4 - GSZ130251AD																		
M5 - GSZ130301AJ																		
M6 - GSZ130311AE																		
M7 - GSZ130361BF																		
M8 - GSZ130371AD																		
M9 - GSZ130421AJ																		
M10 - GSZ130421AK																		
M11 - GSZ130421AL																		
M12 - GSZ130481AH																		
M13 - GSZ130601AF																		
21	0131M00800	MOTOR, 1/8HP, 1SP, 6PL, AL (M2, M3, M4, M6)																
41	0163M00006P	ACORN NUT 5/16 HEX BLACK (QTY 4)																
51	0150M00018	FAN BLADE 20" (M1)																
51	0150M00012	FAN BLADE 20" CCW (M5)																
51	B1086750	FAN BLADE 22", 3 BLADE, 24° (M12)																
51	0150M00013	FAN BLADE 26" CCW (M13)																
51	0150M00031	FAN BLADE, 20", 3 BLADE, 21DEG (M2)																
51	0150M00033	FAN BLADE, 20", 3 BLADE, 24DEG (M3, M4, M6)																
51	0150M00022	FAN BLADE, 22" (M7, M8, M9, M10, M11)																
61	0161L00000	VENTURI RING 22" (M7, M8, M9, M10, M11, M12)																
61	0161R00007P	VENTURI RING 35" (M13)																
71	0161R00001P	CONDUIT (M1, M2, M3, M4, M5, M6)																
71	0161R00002P	CONDUIT (M7, M8, M9, M10, M11, M12)																
71	0161R00004P	CONDUIT (M13)																
91	0154R00006	GASKET, CONTROL PANEL																
111	0121R00042PDGB	LOUVERED SIDE PANEL [LT OF CNTL PNL] (M13)																
121	0121R00046PDGB	LOUVERED SIDE PANEL (M13)																
131	0121R00050PDG	LOUVERED SIDE PANEL [RT OF CNTL PNL] (M13)																
211	0121R00351PDG	LOUVER POST 30.49 (M12)																
211	0121R00353PDG	LOUVER POST 34.49 (M9, M10, M11)																
211	0121R00349PDG	Louver Post, PDG 28.49 (M1, M2, M5, M6)																
211	0121R00350PDG	Louver Post, PDG 28.73 (M3, M4, M7, M8)																
221	0121R00338PDGRS	Louver Panel, PDG 26" _28.49 (M1, M2, M5, M6)																
221	0121R00337PDGRS	Louver Panel, PDG 26" _28.73 (M3, M4)																
221	0121R00342PDGRS	Louver Panel, PDG 29" _28.73 (M7, M8)																
221	0121R00343PDGRS	Louver Panel, PDG 29" _30.49 (M12)																
221	0121R00345PDGRS	Louver Panel, PDG 29" _34.49 (M9, M10, M11)																
231	0121R00338PDGLS	Louver Panel, PDG 26" _28.49 (M1, M2, M5, M6)																
231	0121R00337PDGLS	Louver Panel, PDG 26" _28.73 (M3, M4)																
231	0121R00342PDGLS	Louver Panel, PDG 29" _28.73 (M7, M8)																
231	0121R00343PDGLS	Louver Panel, PDG 29" _30.49 (M12)																
231	0121R00345PDGLS	Louver Panel, PDG 29" _34.49 (M9, M10, M11)																
251	0130M00098	CONTROL, DEFROST (M3, M4, M7, M8)																
251	0130M00105	CONTROL, DEFROST (M1, M2, M5, M6, M9, M10, M11, M12, M13)																
261	B1789839	FLOW CHECK PISTON KIT (M2)																
261	B1789872	FLOW CHECK PISTON KIT (M9, M10, M11)																
261	B1789849	FLOW CHECK PISTON KIT .049 (M6)																
261	B1789851	FLOW CHECK PISTON KIT .051 (M1)																
261	B1789855	FLOW CHECK PISTON KIT .055 (M8)																
261	B1789857	FLOW CHECK PISTON KIT .057 (M3)																
261	B1789865	FLOW CHECK PISTON KIT .065 (M5)																
261	B1789871	FLOW CHECK PISTON KIT .071 (M7)																
261	B1789878	FLOW CHECK PISTON KIT .078 (M12)																
261	B1789888	FLOW CHECK PISTON KIT .088 (M13)																
261	B1789843	FLOW CHECK PISTON KIT. (M4)																
271	0201R00150S	COIL TUBING ASSY (M1)																
271	0201R00152S	COIL TUBING ASSY (M9, M10, M11)																
271	0201R00154S	COIL TUBING ASSY (M12)																
271	0201R00155S	COIL TUBING ASSY (M13)																
271	0201R00285	COIL TUBING ASSY (M7)																
271	0201R00317	COIL TUBING ASSY (M3)																