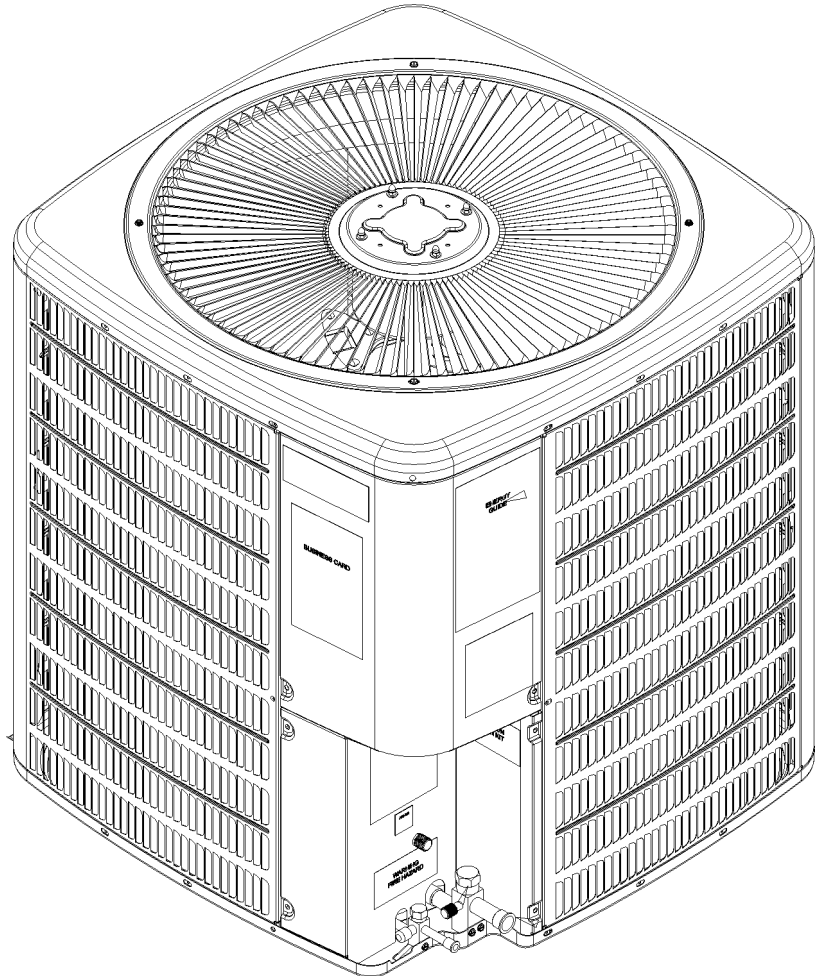


GSZ13 Remote Heat Pump [EXPORT]

GSZ130242XCAB
GSZ130362XCAB
GSZ130365XCAB
GSZ130485XCAB
GSZ130605XCAB



This manual is to be used by qualified technicians only.

© 2017 Goodman Manufacturing Company, L.P. ♦ 5151 San Felipe St., Suite 500 ♦ Houston, TX 77056

Important Information

Index

Functional Parts List	3
Illustration and Parts	4 - 9

Views shown are for parts illustrations only, not servicing procedures.

Text Codes:

AR - As Required

NA - Not Available

NS - Not Shown

00000000 - See Note

QTY - Quantity Example (QTY 3) (If Quantity not shown, Quantity = 1)

M - Model Example (M1) (If M Code not shown, then part is used on all Models)

Expanded Model Nomenclature:

Example M1 - Model#1 M2 - Model#2 M3 - Model#3

Goodman Manufacturing Company, L.P. is not responsible for personal injury or property damage resulting from improper service. Review all service information before beginning repairs.

Warranty service must be performed by an authorized technician, using authorized factory parts. If service is required after the warranty expires, Goodman Manufacturing Company, L.P. also recommends contacting an authorized technician and using authorized factory parts.

Goodman Manufacturing Company, L.P. reserves the right to discontinue, or change at any time, specifications or designs without notice or without incurring obligations.

For assistance within the U.S.A. contact:
Homeowner Support
Goodman Manufacturing Company, L.P.
19001 Kermier Road
Waller, Texas 77484
877-254-4729-Telephone
713-863-2382-Facsimile

For assistance outside the U.S.A. contact:
International Division
Goodman Manufacturing Company, L.P.
19001 Kermier Road
Waller, Texas 77484
713-861-2500-Telephone
713-863-2382-Facsimile

Functional Parts

Part

No: Description:

B1226206	ACCUMULATOR (M1)
0151R00004P	ACCUMULATOR .750 (M2, M3)
B1226207	ACCUMULATOR .875 (M4, M5)
0151R00079	BASE VALVE 3/4" (M1, M2, M3)
0151R00078	BASE VALVE 3/8"
0151R00080	BASE VALVE 7/8" (M4, M5)
CAP050000370LAE	CAP, 5 MFD/370V/OVAL (M3, M4, M5)
CAP050350440CSE	CAP, 5/35 MFD/440V/DUAL RD (M1)
CAP050600440CT	CAP, 5/60 MFD/440V/DUAL RD (M2)
ZP25K5EPFJ130	COMP, 20400, 220/240/50/1 (M1)
ZP36K5ETFD130	COMP, 29300, 380/420/50/3 (M3)
ZP49K5ETFD130	COMP, 40700, 380/420/50/3 (M4)
ZP36K5EPFJ130	COMPRESSOR (M2)
ZP57K5ETFD130	COMPRESSOR (M5)
B13400249	COND MOTOR 1/3 HP, 460V (M5)
B13400500	COND MOTOR 1/4 HP, 220-240V 50HZ (M1, M2)
B13400269	COND MOTOR 380/460 50/60 CYCLE (M3, M4)
CONT1P025024V	CONTACTOR 25 AMP, 1P, 24V (M1, M2)
CONT3P025024V	CONTACTOR 25 AMP, 3P, 24V (M3, M4, M5)
0130M00105	CONTROL, DEFROST (M4, M5)
0130M00098	CONTROL, DEFROST (M1, M2, M3)
0130M00089	CUT-OUT SWITCH, HIGH PRESSURE
0130M00088	CUT-OUT SWITCH, LOW PRESSURE
PCBDM133	DEFROST CONTROL BOARD
0130M00106	DISC THERMOSTAT CRNKCS HTR SW
B1086750	FAN BLADE 22", 3 BLADE, 24° (M4)
0150M00013	FAN BLADE 26" CCW (M5)
0150M00033	FAN BLADE, 20", 3 BLADE, 24DEG (M1)
0150M00022	FAN BLADE, 22" (M2, M3)
0163R00006	HEATER, CRANKCASE 230V, 40W (M1)
0163R00007	HEATER, CRANKCASE 230V, 40W (M2)
0163R00033	HEATER, CRANKCASE 400V, 70W (M3, M4, M5)
0151R00067	REVERSING VALVE (M1)
0151R00070	REVERSING VALVE (M4, M5)
0151R00069	REVERSING VALVE (M2, M3)

SPECIAL PARTS

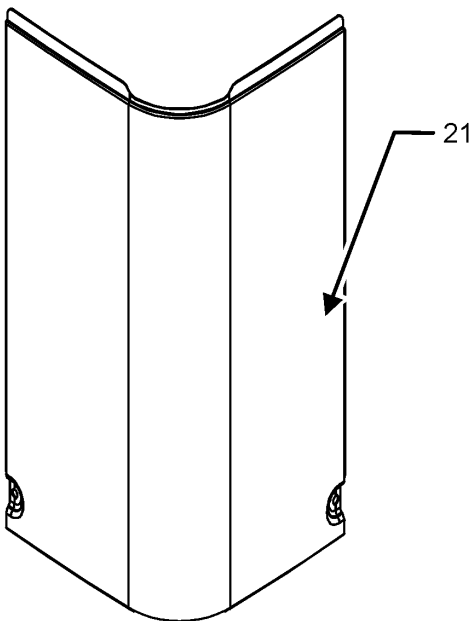
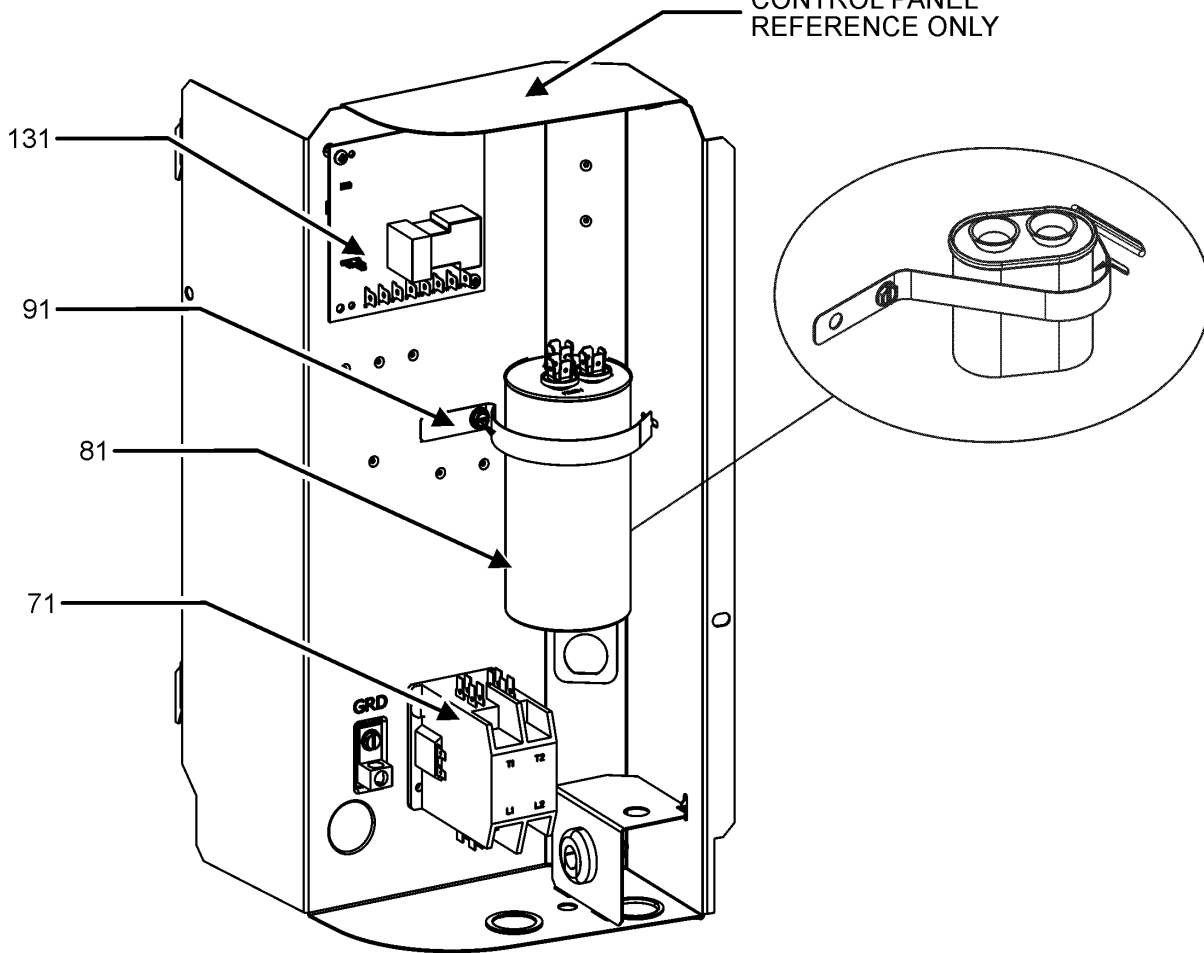
0161R00009P NAMEPLATE

Expanded Model Nomenclature

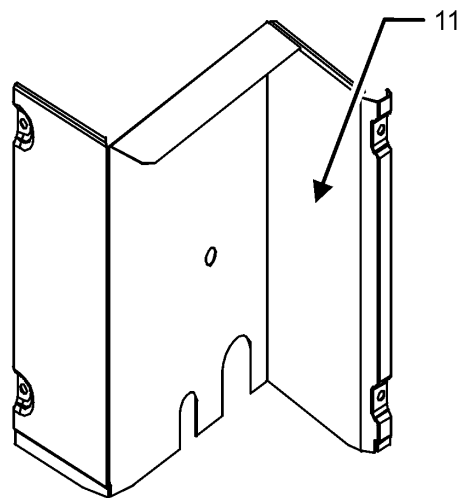
M1 - GSZ130242XCAB
M2 - GSZ130362XCAB
M3 - GSZ130365XCAB
M4 - GSZ130485XCAB
M5 - GSZ130605XCAB

Control Cover and Control Box Assembly

CONTROL PANEL
REFERENCE ONLY



UPPER ACCESS COVER



LOWER ACCESS PANEL

Control Cover and Control Box Assembly

Ref. Part No:	No:	Description:	Ref. Part No:	No:	Description:
---------------	-----	--------------	---------------	-----	--------------

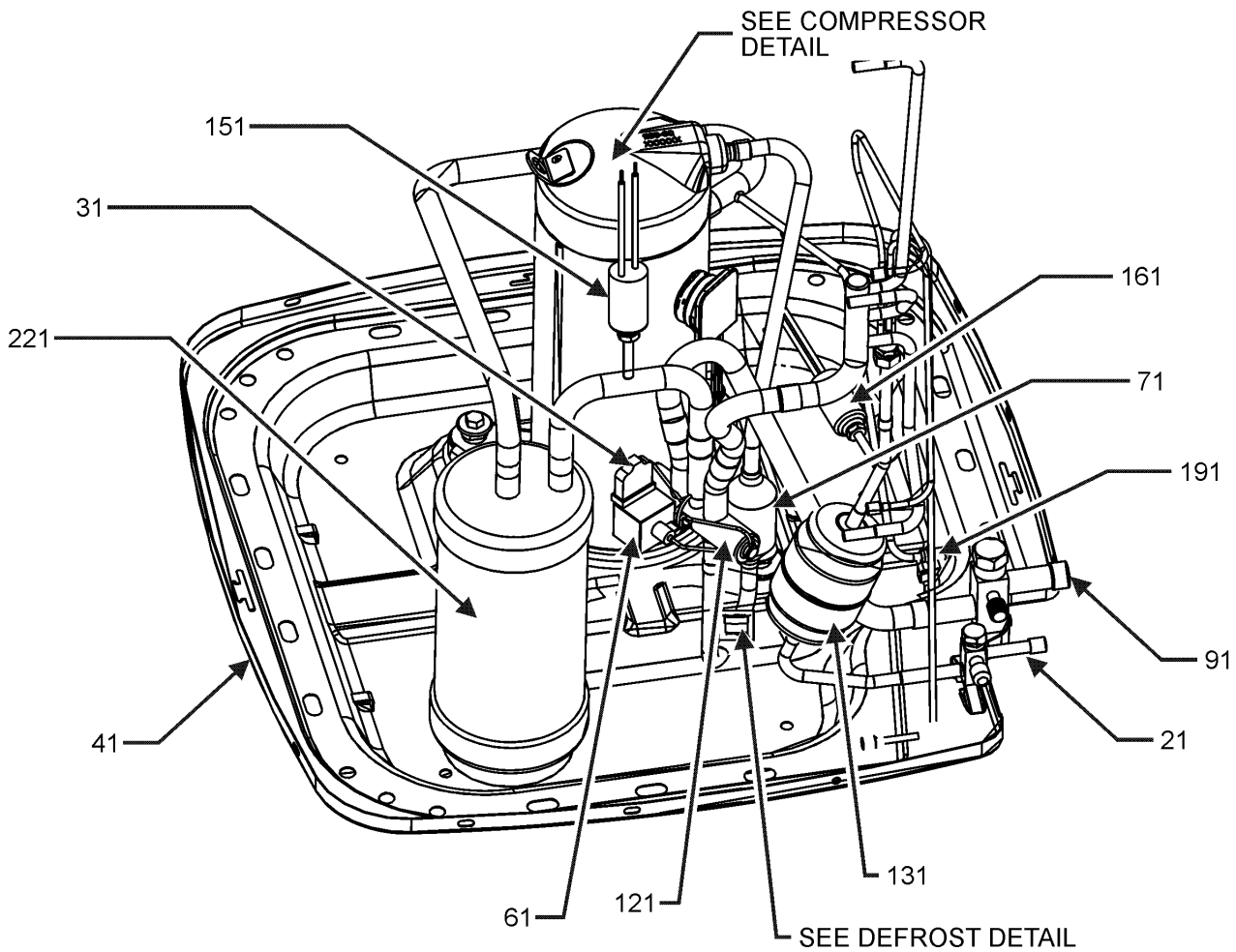
Image 1:

11	0121R00321PDG	PANEL, LOWER ACCESS (M4, M5)
11	0121R00663PDG	PANEL, LOWER ACCESS (M1, M2, M3)
21	0121R00053PDG	CONTROL COVER
71	CONT1P025024V	CONTACTOR 25 AMP, 1P, 24V (M1, M2)
71	CONT3P025024V	CONTACTOR 25 AMP, 3P, 24V (M3, M4, M5)
81	CAP050000370LAE	CAP, 5 MFD/370V/OVAL (M3, M4, M5)
81	CAP050350440CSE	CAP, 5/35 MFD/440V/DUAL RD (M1)
81	CAP050600440CT	CAP, 5/60 MFD/440V/DUAL RD (M2)
91	4400065	CAPACITOR STRAP
131	PCBDM133	DEFROST CONTROL BOARD
NS	0161R00009P	NAMEPLATE

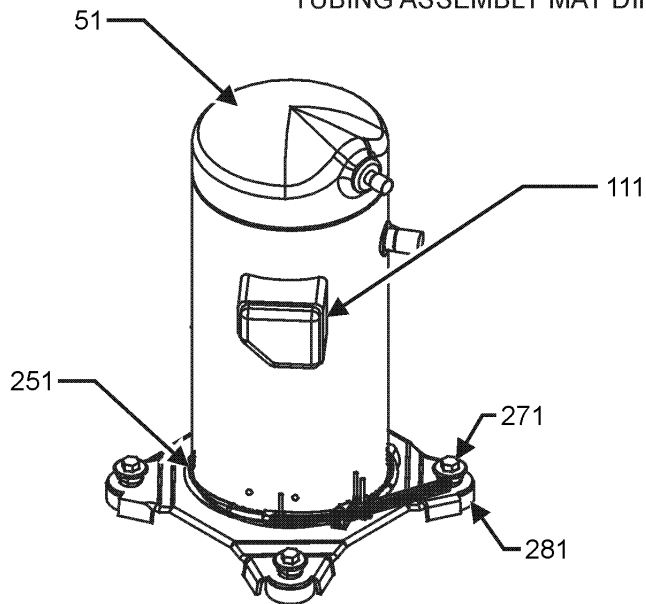
Expanded Model Nomenclature

M1 - GSZ130242XCAB
M2 - GSZ130362XCAB
M3 - GSZ130365XCAB
M4 - GSZ130485XCAB
M5 - GSZ130605XCAB

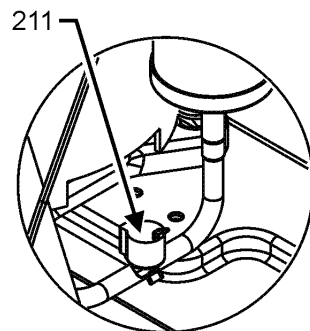
Compressor and Tubing Assembly



TUBING ASSEMBLY MAY DIFFER FROM WHAT IS SHOWN



COMPRESSOR
DETAIL



DEFROST
DETAIL

Compressor and Tubing Assembly

Ref. Part No: No:	Description:	Ref. Part No: No:	Description:
-------------------	--------------	-------------------	--------------

Image 1:

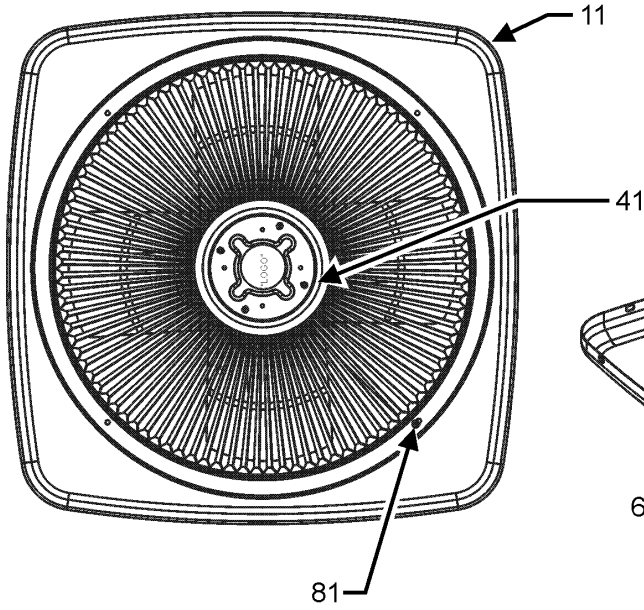
21	0151R00078	BASE VALVE 3/8"
31	0130M00083	REVERSING VALVE HARNESS
41	0121R00005PDG	BASE PAN 26" (M1)
41	0121R00006PDG	BASE PAN 29" (M2, M3, M4)
41	0121R00007PDG	BASE PAN 35" (M5)
51	ZP25K5EPFJ130	COMP, 20400, 220/240/50/1 (M1)
51	ZP36K5ETFD130	COMP, 29300, 380/420/50/3 (M3)
51	ZP49K5ETFD130	COMP, 40700, 380/420/50/3 (M4)
51	ZP36K5EPFJ130	COMPRESSOR (M2)
51	ZP57K5ETFD130	COMPRESSOR (M5)
61	B1225022	SOLENOID COIL
71	B1219301	MUFFLER 1/2 X 1/2
91	0151R00079	BASE VALVE 3/4" (M1, M2, M3)
91	0151R00080	BASE VALVE 7/8" (M4, M5)
111	0159R00009	COMPRESSOR SCROLL HARNESS
121	0151R00067	REVERSING VALVE (M1)
121	0151R00069	REVERSING VALVE (M2, M3)
121	0151R00070	REVERSING VALVE (M4, M5)
131	20485201	BI-FLOW FILTER DRIER
151	0130M00088	CUT-OUT SWITCH, LOW PRESSURE
161	0130M00089	CUT-OUT SWITCH, HIGH PRESSURE
191	B1787000	VALVE CORE
211	0130M00106	DISC THERMOSTAT CRNKCS HTR SW
221	B1226206	ACCUMULATOR (M1)
221	0151R00004P	ACCUMULATOR .750 (M2, M3)
221	B1226207	ACCUMULATOR .875 (M4, M5)
251	0163R00006	HEATER, CRANKCASE 230V, 40W (M1)
251	0163R00007	HEATER, CRANKCASE 230V, 40W (M2)
251	0163R00033	HEATER, CRANKCASE 400V, 70W (M3, M4, M5)
271	M0221641	TF SHOULDER SCREW (QTY 4)
281	B1339533	COMPRESSOR GROMMET (QTY 4)
NS	20270812	COMPENSATOR (M2, M3)
NS	20270815	COMPENSATOR (M1)
NS	B1789857	FLOW CHECK PISTON KIT .057 (M1)
NS	B1789871	FLOW CHECK PISTON KIT .071 (M2, M3)
NS	B1789878	FLOW CHECK PISTON KIT .078 (M4)
NS	B1789888	FLOW CHECK PISTON KIT .088 (M5)

Expanded Model Nomenclature

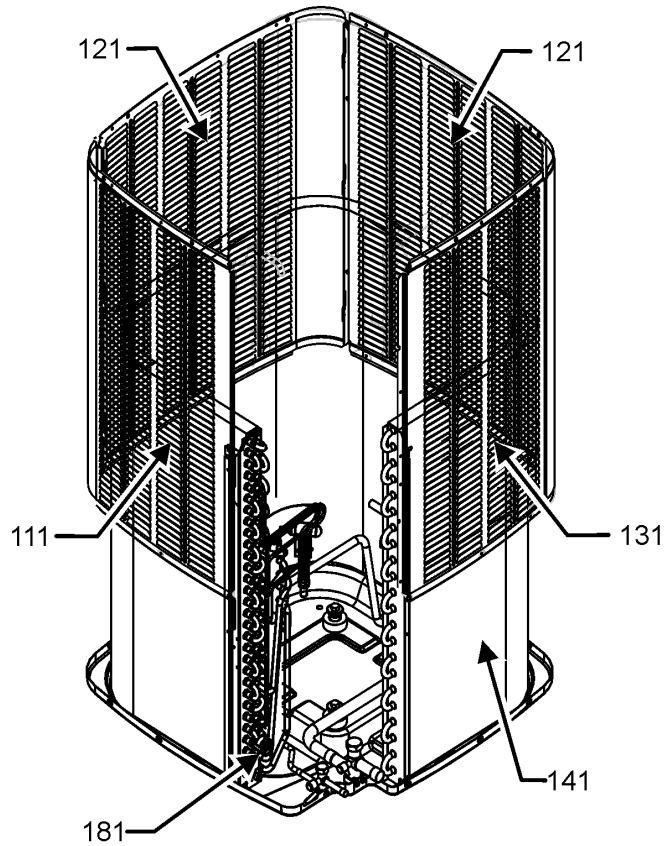
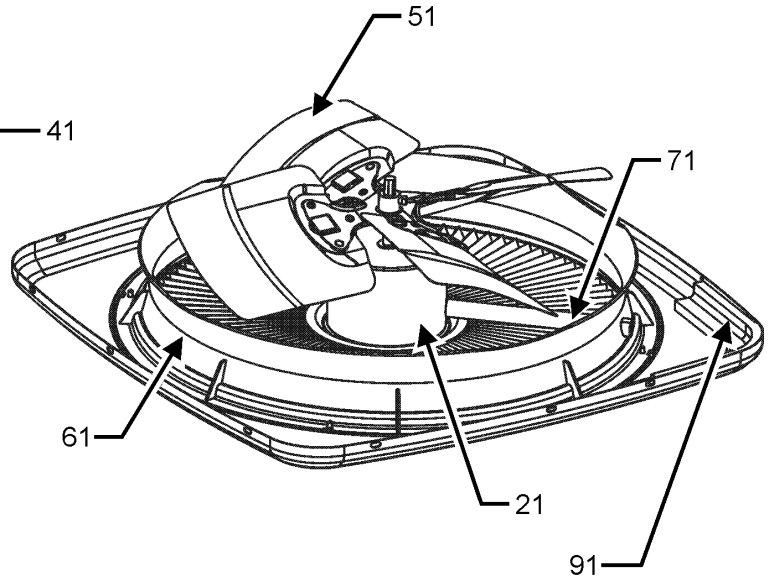
M1 - GSZ130242XCAB
M2 - GSZ130362XCAB
M3 - GSZ130365XCAB
M4 - GSZ130485XCAB
M5 - GSZ130605XCAB

Cabinet Top, Condenser and Side Panels

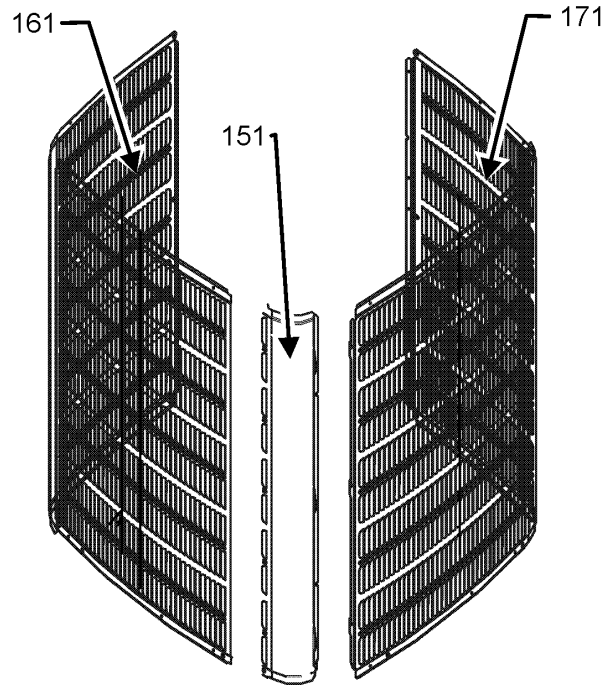
TOP VIEW



BOTTOM VIEW



LOUVER ACCESS
PANEL STYLE 1



LOUVER ACCESS
PANEL STYLE 2

Cabinet Top, Condenser and Side Panels

Ref. Part No: No:	Description:	Ref. Part No: No:	Description:
-------------------	--------------	-------------------	--------------

Image 1:

11	0121R00008PDG	TOP PANEL 26" (M1)
11	0121R00010PDG	TOP PANEL 29" (M2, M3, M4)
11	0121R00269PDG	TOP PANEL, 35" (M5)
21	B13400249	COND MOTOR 1/3 HP, 460V (M5)
21	B13400500	COND MOTOR 1/4 HP, 220-240V 50HZ (M1, M2)
21	B13400269	COND MOTOR 380/460 50/60 CYCLE (M3, M4)
41	0163M00006P	ACORN NUT 5/16 HEX BLACK (QTY 4)
51	B1086750	FAN BLADE 22", 3 BLADE, 24° (M4)
51	0150M00013	FAN BLADE 26" CCW (M5)
51	0150M00033	FAN BLADE, 20", 3 BLADE, 24DEG (M1)
51	0150M00022	FAN BLADE, 22" (M2, M3)
61	0161L00000	VENTURI RING 22" (M2, M3, M4)
61	0161R00007P	VENTURI RING 35" (M5)
71	0161R00001P	CONDUIT (M1)
71	0161R00002P	CONDUIT (M2, M3, M4)
71	0161R00004P	CONDUIT (M5)
81	0163M00004	SCREW #10X3/4", BLACK
111	0121R00042PDGB	LOUVERED SIDE PANEL [LT OF CNTL PNL] (M5)
121	0121R00046PDGB	LOUVERED SIDE PANEL (M5)
131	0121R00050PDG	LOUVERED SIDE PANEL [RT OF CNTL PNL] (M5)
141	0201R00285	COIL TUBING ASSY (M2, M3)
141	0201R00317	COIL TUBING ASSY (M1)
141	0201R00154S	TUBING ASSY, COND COIL (M4)
141	0201R00155S	TUBING ASSY, COND COIL (M5)
151	0121R00350PDG	LOUVER POST (M1, M2, M3)
151	0121R00351PDG	LOUVER POST 30.49 (M4)
161	0121R00343PDGLS	LOUVER PANEL 29"_30.49 (M4)
161	0121R00337PDGLS	Louver Panel, PDG 26"_28.73 (M1)
161	0121R00342PDGLS	Louver Panel, PDG 29"_28.73 (M2, M3)
171	0121R00343PDGRS	LOUVER PANEL 29"_30.49 (M4)
171	0121R00337PDGRS	Louver Panel, PDG 26"_28.73 (M1)
171	0121R00342PDGRS	Louver Panel, PDG 29"_28.73 (M2, M3)
181	0130M00098	CONTROL, DEFROST (M1, M2, M3)
181	0130M00105	CONTROL, DEFROST (M4, M5)
NS	0154R00006	GASKET, CONTROL PANEL
NS	0163M00005P	WASHER, BLACK (.50 OD .218ID) (QTY 4)

Expanded Model Nomenclature

- | |
|--------------------|
| M1 - GSZ130242XCAB |
| M2 - GSZ130362XCAB |
| M3 - GSZ130365XCAB |
| M4 - GSZ130485XCAB |
| M5 - GSZ130605XCAB |