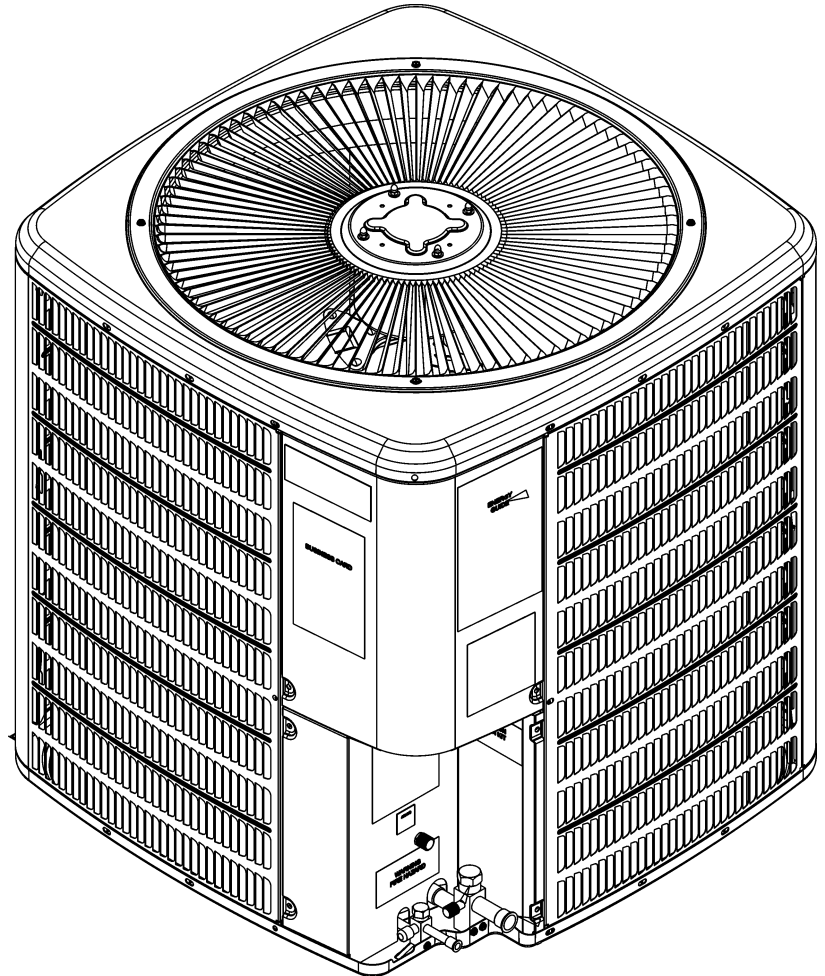


GSZ13 Remote Heat Pump

GSZ130181AC
GSZ130181AD
GSZ130181AE
GSZ130241BB
GSZ130241BC
GSZ130301AD
GSZ130301AE
GSZ130301AF
GSZ130361BB
GSZ130361BC
GSZ130361BE
GSZ130363AB
GSZ130363AC
GSZ130363AE
GSZ130371AC
GSZ130421AC
GSZ130421AD
GSZ130421AE
GSZ130421AH
GSZ130481AC
GSZ130481AD
GSZ130481AE
GSZ130483AB
GSZ130483AC
GSZ130484AB
GSZ130601AC
GSZ130601AD
GSZ130603AB
GSZ130604AB



This manual is to be used by qualified technicians only.

This manual replaces RP-651B.

Important Information

Index

Functional Parts List	3
Illustration and Parts	4 - 11

Views shown are for parts illustrations only, not servicing procedures

Text Codes:

AR - As Required

NA - Not Available

NS - Not Shown

00000000 - See Note

QTY - Quantity Example (QTY 3) (If Quantity not shown, Quantity = 1)

M - Model Example (M1) (If M Code not shown, then part is used on all Models)

Expanded Model Nomenclature:

Example M1 - Model#1 M2 - Model#2 M3 - Model#3

Goodman Manufacturing Company, L.P. is not responsible for personal injury or property damage resulting from improper service. Review all service information before beginning repairs.

Warranty service must be performed by an authorized technician, using authorized factory parts. If service is required after the warranty expires, Goodman Manufacturing Company, L.P. also recommends contacting an authorized technician and using authorized factory parts.

Goodman Manufacturing Company, L.P. reserves the right to discontinue, or change at any time, specifications or designs without notice or without incurring obligations.

For assistance within the U.S.A. contact:
Consumer Affairs Department
Goodman Manufacturing Company, L.P.
7401 Security Way
Houston, Texas 77040
877-254-4729-Telephone
713-863-2382-Facsimile

For assistance outside the U.S.A. contact:
International Division
Goodman Manufacturing Company, L.P.
7401 Security Way
Houston, Texas 77040
713-861-2500-Telephone
713-863-2382-Facsimile

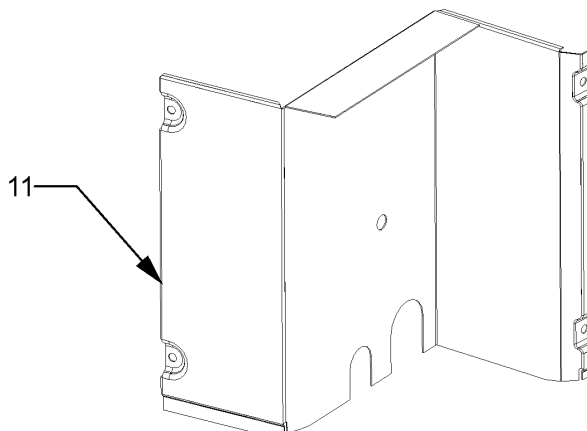
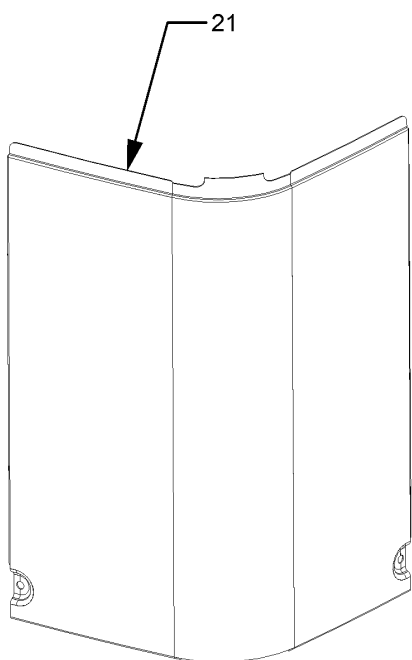
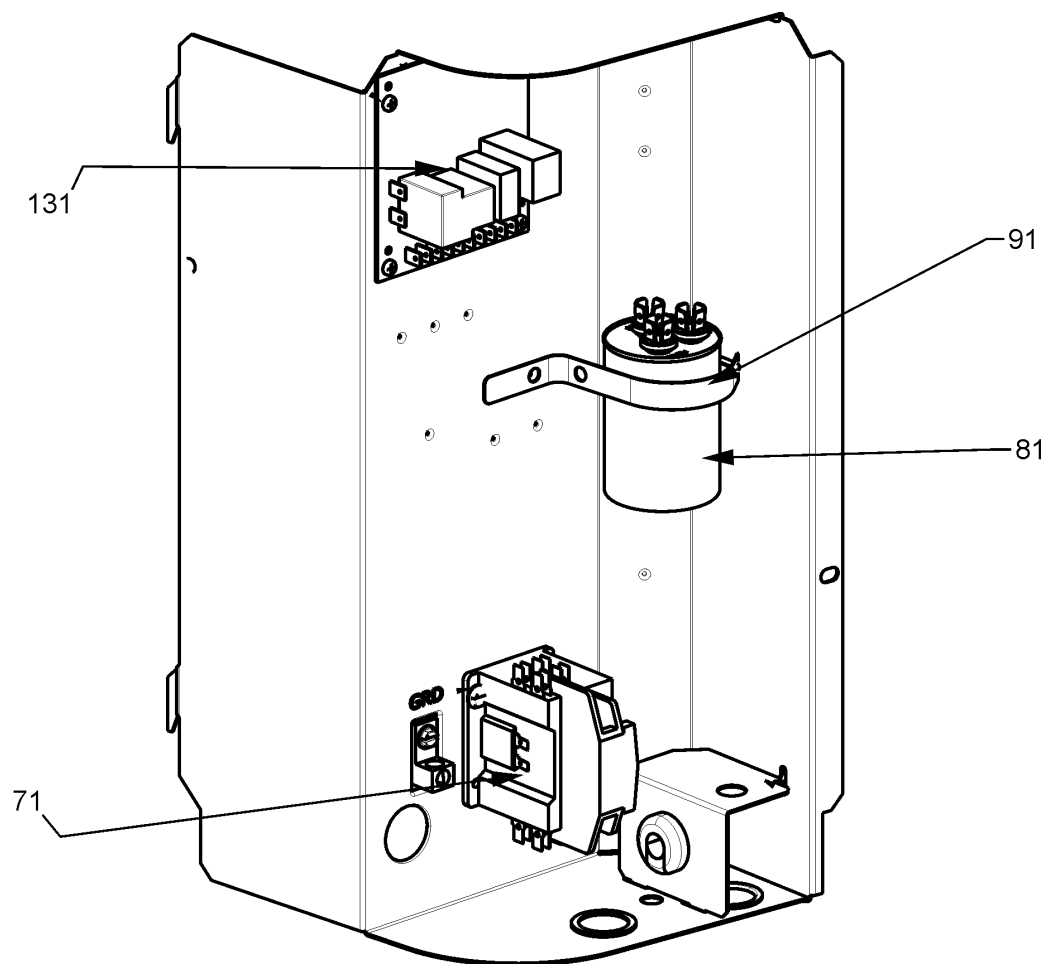
Functional Parts

Part

No: Description:

B12825171	3/8" SERVICE VALVE	0163R00007	HEATER, CRANKCASE 230V, 40W (M16, M17, M18, M19, M20, M21, M22, M26, M27)
CAP050300440CS	CAP.5/30MFD/440V/DUAL RD (M1, M2, M3)	B1227314	REVERSING VALVE (M4, M5)
CAP050000370LA	CAPACITOR 5/370V (M12, M13, M14, M23, M24, M25, M28, M29)	0151M00018	REVERSING VALVE (M1, M2, M3, M6, M7, M8)
CAP050400440CT	CAPACITOR 5/40/440V/DUAL RD (M4, M5, M6, M7, M8)	0151M00019	REVERSING VALVE (M9, M10, M12, M13)
CAP050450440CT	CAPACITOR 5/45/440V/DUAL RD (M9, M10, M11, M15, M16, M17, M18, M19, M20, M21, M22)	0151M00020	REVERSING VALVE (M16, M17, M18, M20, M21, M22, M23, M24, M25, M26, M27, M28, M29)
CAP050700440CT	CAPACITOR 5/70/440V/DUAL RD (M26, M27)	0151R00069	REVERSING VALVE (M11, M14, M15)
ZP16K5EPFV130	COMPRESSOR 15500, 208/230/60/1 (M1, M2, M3)	0151R00071	REVERSING VALVE (M19)
ZP21K5EPFV130	COMPRESSOR 21300, 208/230/60/1 (M4, M5)	0151R00032	VALVE, BASE 3/4" OPEN LEFT (M1, M2, M3, M4, M5, M6, M7, M8, M9, M10, M11, M12, M13, M14, M15)
ZP25K5EPFV130	COMPRESSOR 25200, 208/230/60/1 (M6, M7, M8)	0151R00033	VALVE, SERVICE 7/8" OPEN LEFT (M16, M17, M18, M19, M20, M21, M22, M23, M24, M25, M26, M27, M28, M29)
ZP31K5EPFV130	COMPRESSOR 31100, 208/230/60/1 (M9, M10, M11, M15)		
ZP31K5ETF5130	COMPRESSOR 31200, 200/230/60/3 (M12, M13, M14)		
ZP34K5EPFV130	COMPRESSOR 34500, 208/230/60/1 (M19)		
ZP36K5EPFV130	COMPRESSOR 36200, 208/230/60/1 (M16, M17, M18)		
ZP39K5ETF5130	COMPRESSOR 39000, 200/230/60/3 (M23, M24)		
ZP39K5EPFV130	COMPRESSOR 39000, 208/230/60/1 (M20, M21, M22)		
ZP39K5ETFD130	COMPRESSOR 39000, 460/60/3 (M25)		
ZP51K5EPFV130	COMPRESSOR 51000, 208/230/60/1 (M26, M27)		
ZP51K5ETF5130	COMPRESSOR 51000, 208/230/60/3 (M28)		
ZP51K5ETFD130	COMPRESSOR 51000, 460/60/3 (M29)		
0131M00061	COND MOTOR 1/4 HP, 1 SP, 8 PL (M9, M12, M16, M17, M20, M21, M23, M26, M27, M28)		
0131M00266	COND MOTOR 1/8 HP, 8 PL, PSC (M1, M2, M4, M6, M7)		
0131M00294	COND MOTOR, 1/8HP, ISP, 6P (M3, M5, M8)		
CONT1P025024V	CONTACTOR 25 AMP, 1P, 24V (M1, M2, M3, M4, M5, M6, M7, M8, M9, M10, M11, M15, M16, M17, M18, M19)		
CONT3P025024V	CONTACTOR 25 AMP, 3P, 24V (M12, M13, M14, M23, M24, M25, M28, M29)		
CONT1P030024V	CONTACTOR 30 AMP, 1P, 24V (M20, M21, M22, M26, M27)		
0130M00088	CUT-OUT SWITCH, LOW PRESSURE (M1, M2, M3, M4, M5, M6, M7, M8, M9, M10, M11, M15, M16, M17, M18, M19, M20, M21, M22, M26, M27)		
PCBDM101	DEFROST CONTROL BOARD (M12, M13, M14, M23, M24, M25, M28, M29)		
PCBDM133	DEFROST CONTROL BOARD (M1, M2, M3, M4, M5, M6, M7, M8, M9, M10, M11, M15, M16, M17, M18, M19, M20, M21, M22, M26, M27)		
0130M00106	DISC THERMOSTAT CRNKCS HTR SW (M1, M2, M3, M4, M5, M6, M7, M8, M9, M10, M11, M15, M16, M17, M18, M19, M20, M21, M22, M26, M27)		
0150M00018	FAN BLADE 20" (M1, M2)		
0150M00012	FAN BLADE 20" CCW (M4, M6, M7)		
0150M00008	FAN BLADE 22" TNT2203-25 (M9, M12, M16, M17)		
B1086750	FAN BLADE 22", 3 BLADE, 24° (M22, M24)		
10625738	FAN BLADE 26" ALUM CCW (M28, M29)		
0150M00013	FAN BLADE 26" CCW (M26, M27)		
B1086765	FAN BLADE TYPE 3 (M20, M21, M23, M25)		
0150M00031	FAN BLADE, 20", 3 BLADE, 21DEG (M3)		
0150M00033	FAN BLADE, 20", 3 BLADE, 24DEG (M5, M8)		
0150M00022	FAN BLADE, 22" (M10, M11, M13, M14, M15, M18, M19)		
0163R00004	HEATER CRANKCASE, 460V, 40W (M25, M29)		
0163R00003	HEATER, CRANKCASE 230V 40W (M23, M24, M28)		
0163R00002	HEATER, CRANKCASE 230V, 40W (M12, M13, M14)		
0163R00006	HEATER, CRANKCASE 230V, 40W (M1, M2, M3, M4, M5, M6, M7, M8, M9, M10, M11, M15)		
		SPECIAL PARTS	
		0161R00009P	NAMEPLATE
		Expanded Model Nomenclature	
		M1 - GSZ130181AC	
		M2 - GSZ130181AD	
		M3 - GSZ130181AE	
		M4 - GSZ130241BB	
		M5 - GSZ130241BC	
		M6 - GSZ130301AD	
		M7 - GSZ130301AE	
		M8 - GSZ130301AF	
		M9 - GSZ130361BB	
		M10 - GSZ130361BC	
		M11 - GSZ130361BE	
		M12 - GSZ130363AB	
		M13 - GSZ130363AC	
		M14 - GSZ130363AE	
		M15 - GSZ130371AC	
		M16 - GSZ130421AC	
		M17 - GSZ130421AD	
		M18 - GSZ130421AE	
		M19 - GSZ130421AH	
		M20 - GSZ130481AC	
		M21 - GSZ130481AD	
		M22 - GSZ130481AE	
		M23 - GSZ130483AB	
		M24 - GSZ130483AC	
		M25 - GSZ130484AB	
		M26 - GSZ130601AC	
		M27 - GSZ130601AD	
		M28 - GSZ130603AB	
		M29 - GSZ130604AB	

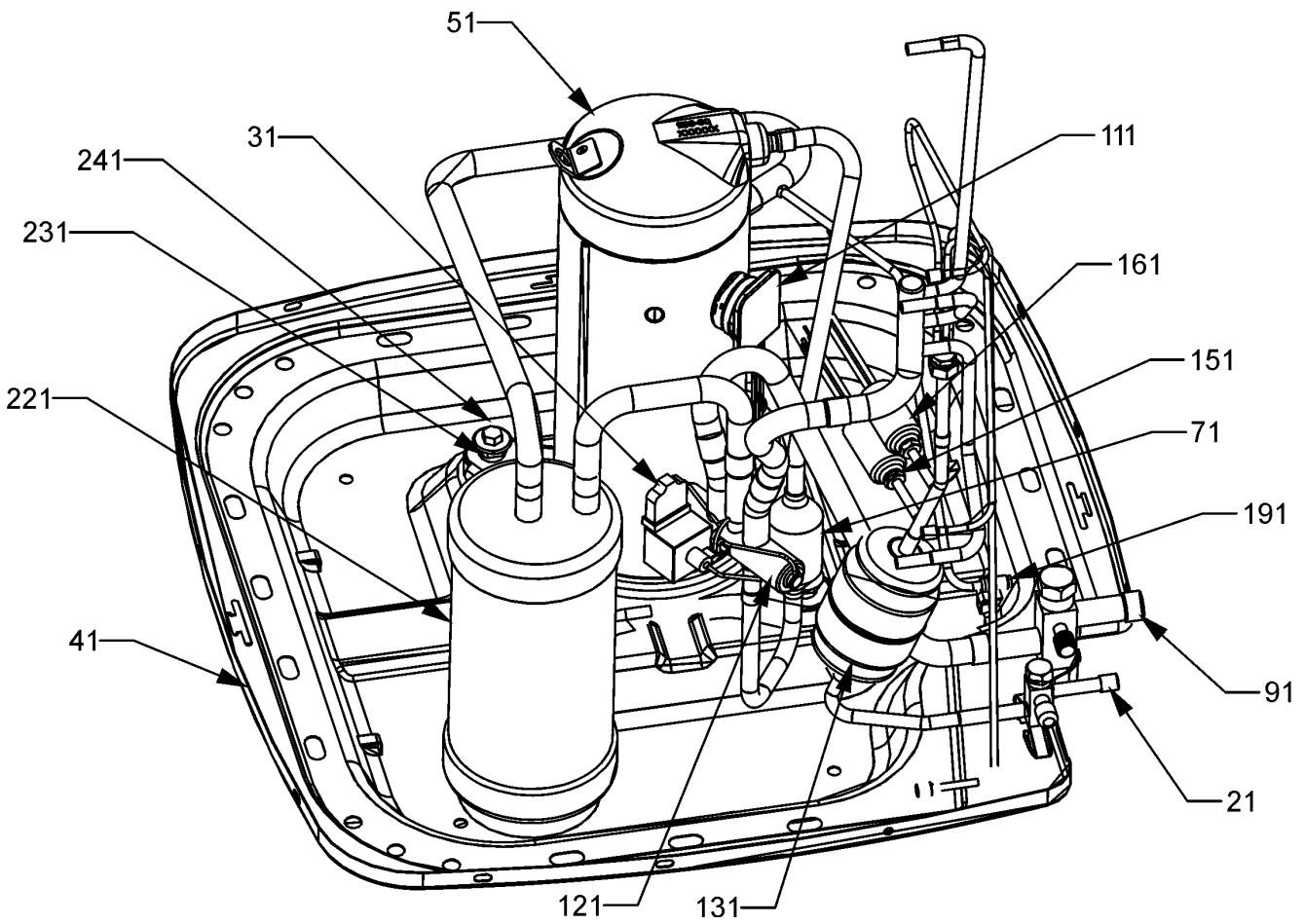
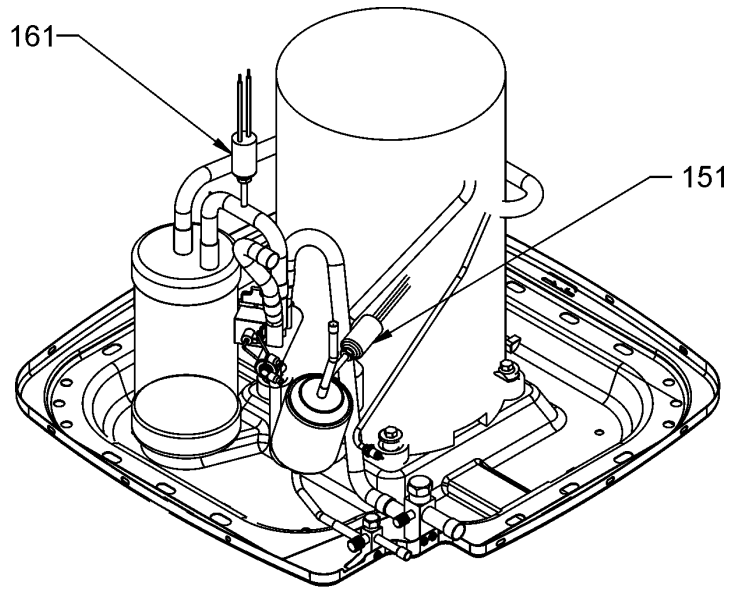
Control Cover / Control Box



Control Cover / Control Box

Ref. Part No: No:	Description:	Ref. Part No: No:	Description:
<i>Image 1:</i>		Expanded Model Nomenclature	
11	0121R00318PDG	PANEL, LOWER ACCESS PNT (M12, M13, M14, M16, M17, M18, M19)	M1 - GSZ130181AC
11	0121R00321PDG	PANEL, LOWER ACCESS PNT (M20, M21, M22, M23, M24, M25, M26, M27, M28, M29)	M2 - GSZ130181AD
11	0121R00322PDG	PANEL, LOWER ACCESS PNT (M4, M5, M9, M10, M11, M15)	M3 - GSZ130181AE
11	0121R00323PDG	PANEL, LOWER ACCESS PNT (M1, M2, M3, M6, M7, M8)	M4 - GSZ130241BB
71	CONT1P025024V	CONTACTOR 25 AMP, 1P, 24V (M1, M2, M3, M4, M5, M6, M7, M8, M9, M10, M11, M15, M16, M17, M18, M19)	M5 - GSZ130241BC
71	CONT3P025024V	CONTACTOR 25 AMP, 3P, 24V (M12, M13, M14, M23, M24, M25, M28, M29)	M6 - GSZ130301AD
71	CONT1P030024V	CONTACTOR 30 AMP, 1P, 24V (M20, M21, M22, M26, M27)	M7 - GSZ130301AE
81	CAP050300440CS	CAP,5/30MFD/440V/DUAL RD (M1, M2, M3)	M8 - GSZ130301AF
81	CAP050000370LA	CAPACITOR 5/370V (M12, M13, M14, M23, M24, M25, M28, M29)	M9 - GSZ130361BB
81	CAP050400440CT	CAPACITOR 5/40/440V/DUAL RD (M4, M5, M6, M7, M8)	M10 - GSZ130361BC
81	CAP050450440CT	CAPACITOR 5/45/440V/DUAL RD (M9, M10, M11, M15, M16, M17, M18, M19, M20, M21, M22)	M11 - GSZ130361BE
81	CAP050700440CT	CAPACITOR 5/70/440V/DUAL RD (M26, M27)	M12 - GSZ130363AB
91	4400065	CAPACITOR STRAP	M13 - GSZ130363AC
131	PCBDM101	DEFROST CONTROL BOARD (M12, M13, M14, M23, M24, M25, M28, M29)	M14 - GSZ130363AE
131	PCBDM133	DEFROST CONTROL BOARD (M1, M2, M3, M4, M5, M6, M7, M8, M9, M10, M11, M15, M16, M17, M18, M19, M20, M21, M22, M26, M27)	M15 - GSZ130371AC
NS	0161R00009P	NAMEPLATE	M16 - GSZ130421AC
			M17 - GSZ130421AD
			M18 - GSZ130421AE
			M19 - GSZ130421AH
			M20 - GSZ130481AC
			M21 - GSZ130481AD
			M22 - GSZ130481AE
			M23 - GSZ130483AB
			M24 - GSZ130483AC
			M25 - GSZ130484AB
			M26 - GSZ130601AC
			M27 - GSZ130601AD
			M28 - GSZ130603AB
			M29 - GSZ130604AB

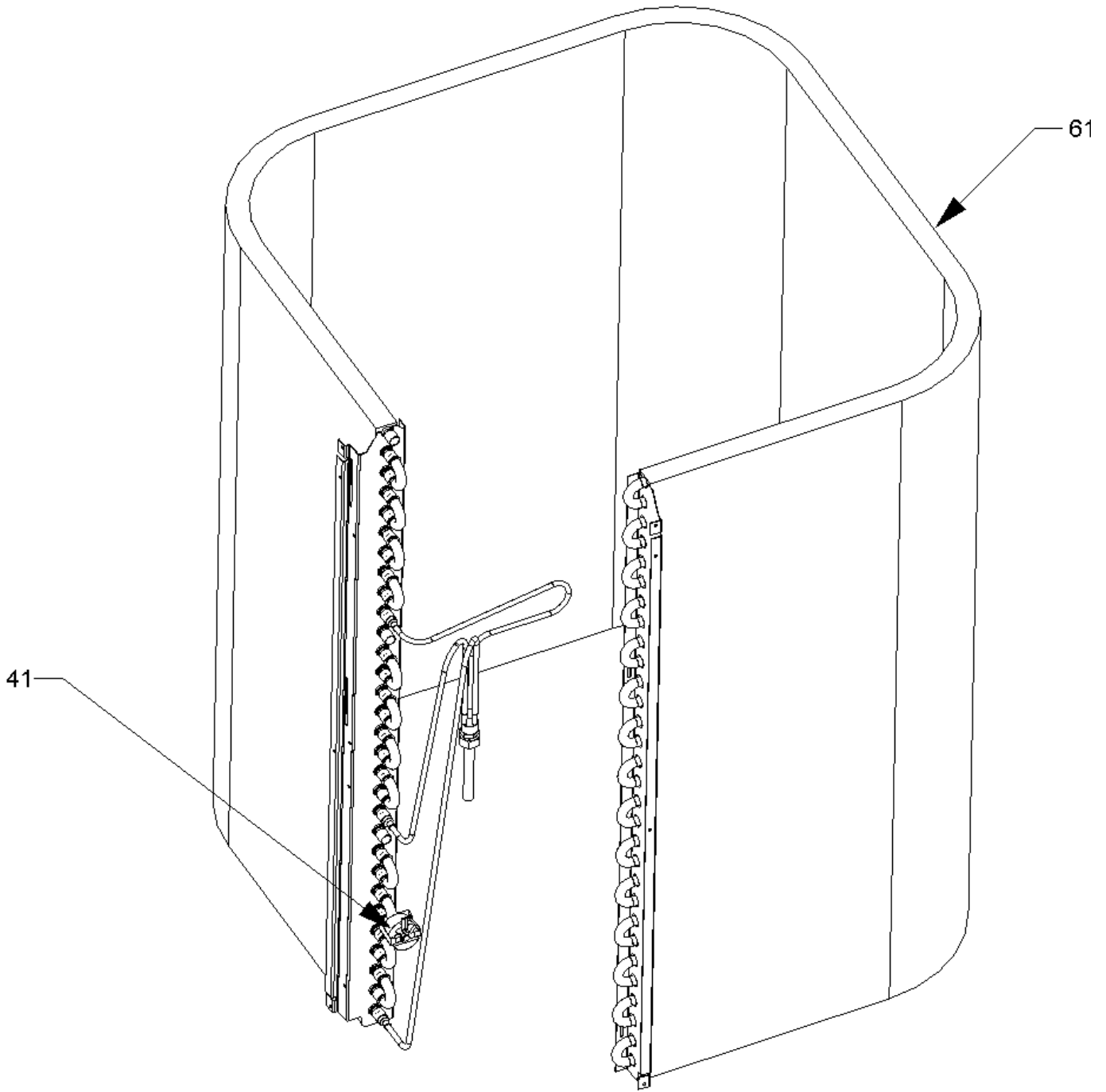
Compressor / Tubing Assembly



Compressor / Tubing Assembly

Ref. Part No: No:	Description:	Ref. Part No: No:	Description:	
Image 1:		Image 1:		
11	B12825171	3/8" SERVICE VALVE	241 M0221641	TF SHOULDER SCREW (QTY 4)
21	0151M00018	REVERSING VALVE (M1, M2, M3, M6, M7, M8)	NS 20270812	COMPENSATOR (M9, M10, M11, M15)
21	0151M00019	REVERSING VALVE (M9, M10, M12, M13)	NS 20270815	COMPENSATOR (M4, M5)
21	0151M00020	REVERSING VALVE (M16, M17, M18, M20, M21, M22, M23, M24, M25, M26, M27, M28, M29)	NS 0130M00106	DISC THERMOSTAT CRNKCS HTR SW (M1, M2, M3, M4, M5, M6, M7, M8, M9, M10, M11, M15, M16, M17, M18, M19, M20, M21, M22, M26, M27)
21	0151R00069	REVERSING VALVE (M11, M14, M15)	NS 0163R00004	HEATER CRANKCASE, 460V, 40W (M25, M29)
21	0151R00071	REVERSING VALVE (M19)	NS 0163R00003	HEATER, CRANKCASE 230V 40W (M23, M24, M28)
21	B1227314	REVERSING VALVE (M4, M5)	NS 0163R00002	HEATER, CRANKCASE 230V, 40W (M12, M13, M14)
31	B1225020	SOLENOID COIL CORD W/1/4" TERMINAL (M1, M2, M3, M4, M5, M6, M7, M8, M9, M10, M12, M13, M16, M17, M18, M20, M26)	NS 0163R00006	HEATER, CRANKCASE 230V, 40W (M1, M2, M3, M4, M5, M6, M7, M8, M9, M10, M11, M15)
41	0121R00005PDG	BASE PAN 26" (M1, M2, M3, M4, M5, M6, M7, M8)	NS 0163R00007	HEATER, CRANKCASE 230V, 40W (M16, M17, M18, M19, M20, M21, M22, M26, M27)
41	0121R00006PDG	BASE PAN 29" (M9, M10, M11, M12, M13, M14, M15, M16, M17, M18, M19, M20, M21, M22, M23, M24, M25)	NS B1225022	SOLENOID COIL
41	0121R00007PDG	BASE PAN 35" (M26, M27, M28, M29)	Expanded Model Nomenclature	
51	ZP16K5EPFV130	COMPRESSOR 15500, 208/230/60/1 (M1, M2, M3)	M1 - GSZ130181AC	
51	ZP21K5EPFV130	COMPRESSOR 21300, 208/230/60/1 (M4, M5)	M2 - GSZ130181AD	
51	ZP25K5EPFV130	COMPRESSOR 25200, 208/230/60/1 (M6, M7, M8)	M3 - GSZ130181AE	
51	ZP31K5EPFV130	COMPRESSOR 31100, 208/230/60/1 (M9, M10, M11, M15)	M4 - GSZ130241BB	
51	ZP31K5ETF5130	COMPRESSOR 31200, 200/230/60/3 (M12, M13, M14)	M5 - GSZ130241BC	
51	ZP34K5EPFV130	COMPRESSOR 34500, 208/230/60/1 (M19)	M6 - GSZ130301AD	
51	ZP36K5EPFV130	COMPRESSOR 36200, 208/230/60/1 (M16, M17, M18)	M7 - GSZ130301AE	
51	ZP39K5ETF5130	COMPRESSOR 39000, 200/230/60/3 (M23, M24)	M8 - GSZ130301AF	
51	ZP39K5EPFV130	COMPRESSOR 39000, 208/230/60/1 (M20, M21, M22)	M9 - GSZ130361BB	
51	ZP39K5ETFD130	COMPRESSOR 39000, 460/60/3 (M25)	M10 - GSZ130361BC	
51	ZP51K5EPFV130	COMPRESSOR 51000, 208/230/60/1 (M26, M27)	M11 - GSZ130361BE	
51	ZP51K5ETF5130	COMPRESSOR 51000, 208/230/60/3 (M28)	M12 - GSZ130363AB	
51	ZP51K5ETFD130	COMPRESSOR 51000, 460/60/3 (M29)	M13 - GSZ130363AC	
71	B1219301	MUFFLER 1/2 X 1/2	M14 - GSZ130363AE	
91	0151R00032	VALVE, BASE 3/4" OPEN LEFT (M1, M2, M3, M4, M5, M6, M7, M8, M9, M10, M11, M12, M13, M14, M15)	M15 - GSZ130371AC	
91	0151R00033	VALVE, SERVICE 7/8" OPEN LEFT (M16, M17, M18, M19, M20, M21, M22, M23, M24, M25, M26, M27, M28, M29)	M16 - GSZ130421AC	
111	0159R00000P	COMPRESSOR SCROLL HARNESS (M1, M2, M3, M4, M5, M6, M7, M8)	M17 - GSZ130421AD	
111	0159R00001P	COMPRESSOR SCROLL HARNESS (M9, M10, M11, M15, M16, M17, M18, M19, M20, M21, M22)	M18 - GSZ130421AE	
111	0159R00002P	COMPRESSOR SCROLL HARNESS (M26, M27)	M19 - GSZ130421AH	
111	0159R00008	COMPRESSOR SCROLL HARNESS (M12, M13, M14, M23, M24, M25)	M20 - GSZ130481AC	
111	0159R00009	COMPRESSOR SCROLL HARNESS (M28, M29)	M21 - GSZ130481AD	
131	20485201	BI-FLOW FILTER DRIER	M22 - GSZ130481AE	
151	0130M00088	CUT-OUT SWITCH, LOW PRESSURE (M1, M2, M3, M4, M5, M6, M7, M8, M9, M10, M11, M15, M16, M17, M18, M19, M20, M21, M22, M26, M27)	M23 - GSZ130483AB	
151	0130R00001	CUT-OUT SWITCH, LOW PRESSURE (M12, M13, M14, M23, M24, M25, M28, M29)	M24 - GSZ130483AC	
161	0130M00089	CUT-OUT SWITCH, HIGH PRESSURE (M1, M2, M3, M4, M5, M6, M7, M8, M9, M10, M11, M15, M16, M17, M18, M19, M20, M21, M22, M26, M27)	M25 - GSZ130484AB	
161	0130R00056	CUT-OUT SWITCH, HIGH PRESSURE (M12, M13, M14, M23, M24, M25, M28, M29)	M26 - GSZ130601AC	
191	B1787000	VALVE CORE	M27 - GSZ130601AD	
221	B1226206	ACCUMULATOR (M1, M2, M3, M4, M5, M6, M7, M8, M12, M13, M14)	M28 - GSZ130603AB	
221	0151R00004P	ACCUMULATOR .750 (M9, M10, M11, M15)	M29 - GSZ130604AB	
221	B1226207	ACCUMULATOR .875 (M16, M17, M18, M19, M20, M21, M22, M23, M24, M25, M26, M27, M28, M29)		
231	B1339533	COMPRESSOR GROMMET (QTY 4)		

Condenser



Condenser

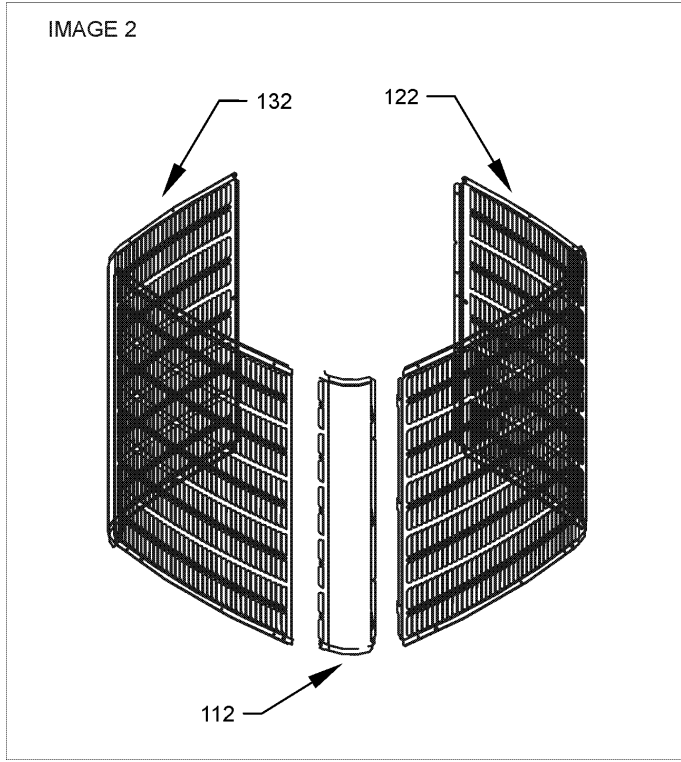
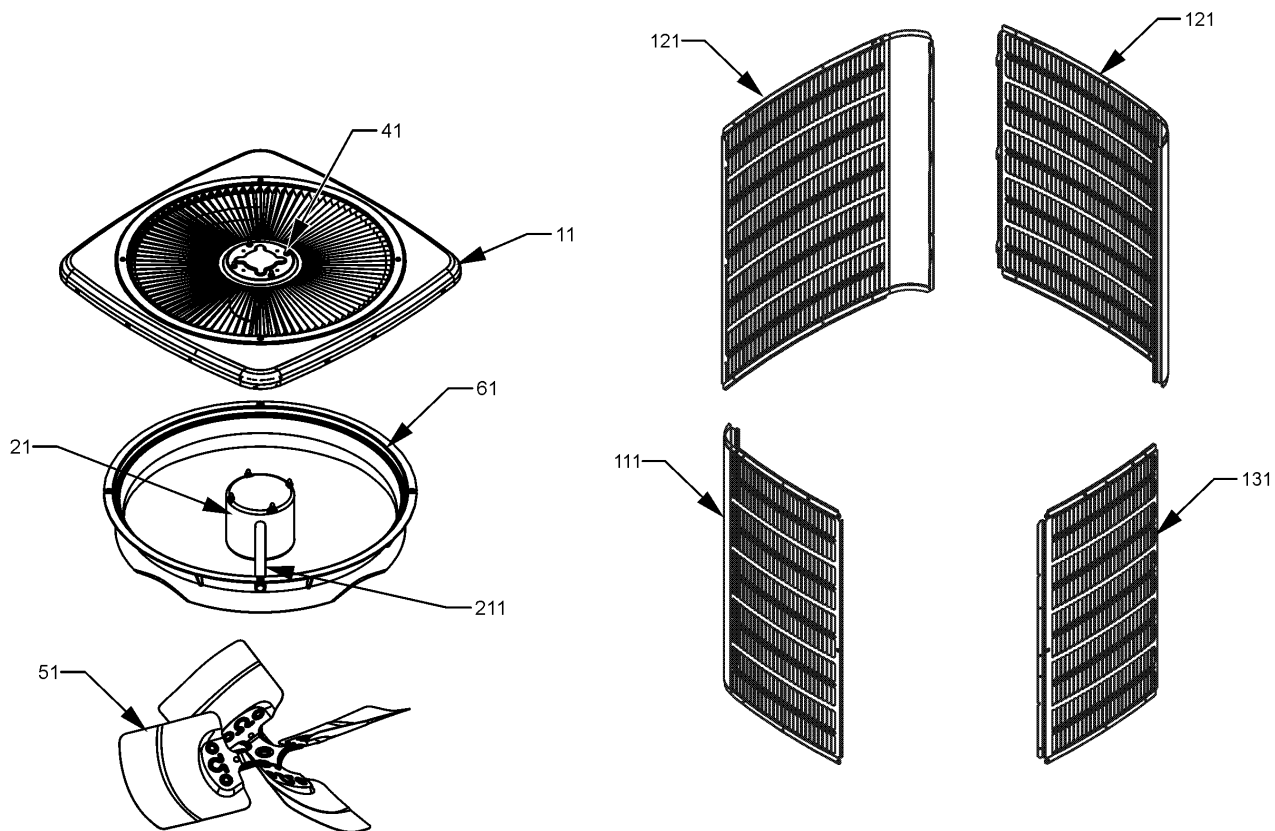
Ref. Part No:	Ref. Part No:	Description:	Description:
Image 1:			
41	0130M00098	CONTROL, DEFROST (M4, M5, M9, M10, M11, M15)	
41	0130M00105	CONTROL, DEFROST (M1, M2, M3, M6, M7, M8, M12, M13, M14, M16, M17, M18, M19, M20, M21, M22, M23, M24, M25, M26, M27, M28, M29)	
61	0201R00150S	TUBING ASSY, COND COIL (M1, M2, M3)	
61	0201R00151S	TUBING ASSY, COND COIL (M12, M13, M14)	
61	0201R00152S	TUBING ASSY, COND COIL (M16, M17, M18, M19)	
61	0201R00154S	TUBING ASSY, COND COIL (M20, M21, M22, M23, M24, M25)	
61	0201R00155S	TUBING ASSY, COND COIL (M26, M27)	
61	0201R00285	TUBING ASSY, COND COIL (M9, M10, M11)	
61	0201R00317	TUBING ASSY, COND COIL (M4, M5)	
61	0201R00325	TUBING ASSY, COND COIL (M6, M7, M8)	
61	0201R00420	TUBING ASSY, COND COIL (M15)	
61	0201R00547	TUBING ASSY, COND COIL (M28, M29)	

Expanded Model Nomenclature

- M1 - GSZ130181AC
- M2 - GSZ130181AD
- M3 - GSZ130181AE
- M4 - GSZ130241BB
- M5 - GSZ130241BC
- M6 - GSZ130301AD
- M7 - GSZ130301AE
- M8 - GSZ130301AF
- M9 - GSZ130361BB
- M10 - GSZ130361BC
- M11 - GSZ130361BE
- M12 - GSZ130363AB
- M13 - GSZ130363AC
- M14 - GSZ130363AE
- M15 - GSZ130371AC
- M16 - GSZ130421AC
- M17 - GSZ130421AD
- M18 - GSZ130421AE
- M19 - GSZ130421AH
- M20 - GSZ130481AC
- M21 - GSZ130481AD
- M22 - GSZ130481AE
- M23 - GSZ130483AB
- M24 - GSZ130483AC
- M25 - GSZ130484AB
- M26 - GSZ130601AC
- M27 - GSZ130601AD
- M28 - GSZ130603AB
- M29 - GSZ130604AB

Cabinet Top / Side Panels

IMAGE 1



Cabinet Top / Side Panels

Ref. Part No: No:	Description:	Ref. Part No: No:	Description:
Image 1:		Image 2:	
11	0121R00008PDG TOP PANEL 26" (M1, M2, M3, M4, M5, M6, M7, M8)	112	0121R00350PDG Louver Post, PDG 28.73 (M5, M11, M15)
11	0121R00010PDG TOP PANEL 29" (M9, M10, M11, M12, M13, M14, M15, M16, M17, M18, M19, M20, M21, M22, M23, M24, M25)	122	0121R00337PDGLS Louver Panel, PDG 26" _28.73 (M5)
11	0121R00269PDG Top Panel, 35" Pnt (M26, M27, M28, M29)	122	0121R00342PDGLS Louver Panel, PDG 29" _28.73 (M11, M15)
21	0131M00018P COND MOTOR 1/4 HP, 1 SP, 6 PL (M10, M11, M13, M14, M15, M18, M19, M22, M24)	132	0121R00337PDGRS Louver Panel, PDG 26" _28.73 (M5)
21	0131M00061 COND MOTOR 1/4 HP, 1 SP, 8 PL (M9, M12, M16, M17, M20, M21, M23, M26, M27, M28)	132	0121R00342PDGRS Louver Panel, PDG 29" _28.73 (M11, M15)
21	0131M00266 COND MOTOR 1/8 HP, 8 PL, PSC (M1, M2, M4, M6, M7)	Expanded Model Nomenclature	
21	0131M00294 COND MOTOR, 1/8HP, ISP, 6P (M3, M5, M8)	M1 - GSZ130181AC	
21	0131M00022 MOTOR 1/4 HP, 8 PL, 460V (M25, M29)	M2 - GSZ130181AD	
41	0163M00006P ACORN NUT 5/16 HEX BLACK (QTY 4)	M3 - GSZ130181AE	
51	0150M00018 FAN BLADE 20" (M1, M2)	M4 - GSZ130241BB	
51	0150M00012 FAN BLADE 20" CCW (M4, M6, M7)	M5 - GSZ130241BC	
51	0150M00008 FAN BLADE 22" TNT2203-25 (M9, M12, M16, M17)	M6 - GSZ130301AD	
51	B1086750 FAN BLADE 22", 3 BLADE, 24° (M22, M24)	M7 - GSZ130301AE	
51	10625738 FAN BLADE 26" ALUM CCW (M28, M29)	M8 - GSZ130301AF	
51	0150M00013 FAN BLADE 26" CCW (M26, M27)	M9 - GSZ130361BB	
51	B1086765 FAN BLADE TYPE 3 (M20, M21, M23, M25)	M10 - GSZ130361BC	
51	0150M00031 FAN BLADE, 20", 3 BLADE, 21DEG (M3)	M11 - GSZ130361BE	
51	0150M00033 FAN BLADE, 20", 3 BLADE, 24DEG (M5, M8)	M12 - GSZ130363AB	
51	0150M00022 FAN BLADE, 22" (M10, M11, M13, M14, M15, M18, M19)	M13 - GSZ130363AC	
61	0161L00000 VENTURI RING 22" (M9, M10, M11, M12, M13, M14, M15, M16, M17, M18, M19, M20, M21, M22, M23, M24, M25)	M14 - GSZ130363AE	
61	0161R00007P VENTURI RING 35" (M26, M27, M28, M29)	M15 - GSZ130371AC	
111	0121R00015PDGB LOUVERED SIDE PANEL [LT OF CNTL PNL] (M1, M2, M3, M6, M7, M8)	M16 - GSZ130421AC	
111	0121R00025PDGB LOUVERED SIDE PANEL [LT OF CNTL PNL] (M20, M21, M22, M23, M24, M25)	M17 - GSZ130421AD	
111	0121R00027PDGB LOUVERED SIDE PANEL [LT OF CNTL PNL] (M12, M13, M16, M17, M18)	M18 - GSZ130421AE	
111	0121R00042PDGB LOUVERED SIDE PANEL [LT OF CNTL PNL] (M26, M27, M28, M29)	M19 - GSZ130421AH	
111	0121R00125PDGB LOUVERED SIDE PANEL [LT OF CNTL PNL] (M9, M10)	M20 - GSZ130481AC	
111	0121R00171PDGB LOUVERED SIDE PANEL [LT OF CNTL PNL] (M4)	M21 - GSZ130481AD	
121	0121R00018PDGB LOUVERED SIDE PANEL (M1, M2, M3, M6, M7, M8)	M22 - GSZ130481AE	
121	0121R00031PDGB LOUVERED SIDE PANEL (M20, M21, M22, M23, M24, M25)	M23 - GSZ130483AB	
121	0121R00033PDGB LOUVERED SIDE PANEL (M12, M13, M16, M17, M18)	M24 - GSZ130483AC	
121	0121R00046PDGB LOUVERED SIDE PANEL (M26, M27, M28, M29)	M25 - GSZ130484AB	
121	0121R00132PDGB LOUVERED SIDE PANEL (M9, M10)	M26 - GSZ130601AC	
121	0121R00172PDGB LOUVERED SIDE PANEL (M4)	M27 - GSZ130601AD	
131	0121R00021PDG LOUVERED SIDE PANEL [RT OF CNTL PNL] (M1, M2, M3, M6, M7, M8)	M28 - GSZ130603AB	
131	0121R00139PDG LOUVERED SIDE PANEL [RT OF CNTL PNL] (M9, M10)	M29 - GSZ130604AB	
131	0121R00037PDG LOUVERED SIDE PANEL [RT OF CNTL PNL] (M20, M21, M22, M23, M24, M25)		
131	0121R00039PDG LOUVERED SIDE PANEL [RT OF CNTL PNL] (M12, M13, M16, M17, M18)		
131	0121R00050PDG LOUVERED SIDE PANEL [RT OF CNTL PNL] (M26, M27, M28, M29)		
131	0121R00173PDG LOUVERED SIDE PANEL [RT OF CNTL PNL] (M4)		
NS	0161R00001P CONDUIT (M1, M2, M3, M4, M5, M6, M7, M8)		
NS	0161R00002P CONDUIT (M9, M10, M11, M12, M13, M14, M15, M16, M17, M18, M19, M20, M21, M22, M23, M24, M25)		
NS	0161R00004P CONDUIT (M26, M27, M28, M29)		
Image 2:			
112	0121R00353PDG LOUVER POST 34.49 (M14, M19)		