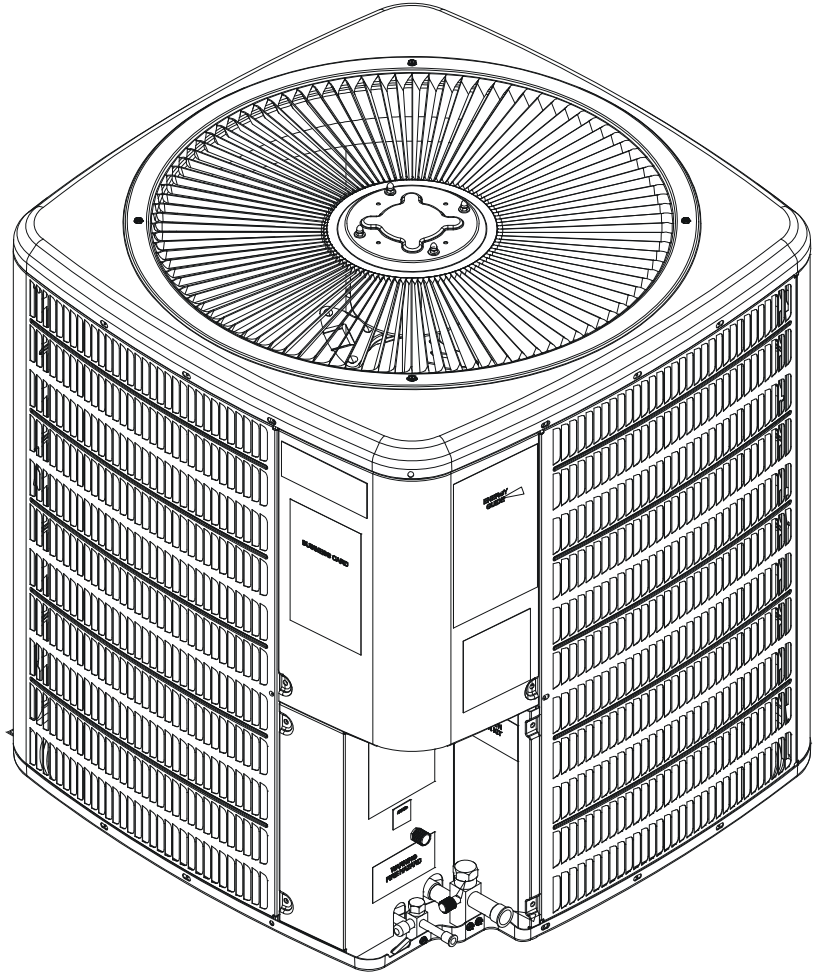


GSZ13 Remote Heat Pumps

GSZ130181AB
GSZ130241AB
GSZ130241AC
GSZ130241BA
GSZ130241BE
GSZ130301AB
GSZ130301AC
GSZ130361AB
GSZ130361BA
GSZ130363AA
GSZ130421AB
GSZ130481AB
GSZ130483AA
GSZ130484AA
GSZ130601AB
GSZ130603AA
GSZ130604AA



This manual is to be used by qualified technicians only.

This manual replaces RP-462A.

© 2007, 2010, 2016 Goodman Manufacturing Company, L.P. ♦ 5151 San Felipe St., Suite 500 ♦ Houston, TX 77056

Important Information

Index

Functional Parts List	3
Illustration and Parts	4 - 9

Views shown are for parts illustrations only, not servicing procedures

Text Codes:

AR - As Required

NA - Not Available

NS - Not Shown

00000000 - See Note

QTY - Quantity Example (QTY 3) (If Quantity not shown, Quantity = 1)

M - Model Example (M1) (If M Code not shown, then part is used on all Models)

Expanded Model Nomenclature:

Example M1 - Model#1 M2 - Model#2 M3 - Model#3

Goodman Manufacturing Company, L.P. is not responsible for personal injury or property damage resulting from improper service. Review all service information before beginning repairs.

Warranty service must be performed by an authorized technician, using authorized factory parts. If service is required after the warranty expires, Goodman Manufacturing Company, L.P. also recommends contacting an authorized technician and using authorized factory parts.

Goodman Manufacturing Company, L.P. reserves the right to discontinue, or change at any time, specifications or designs without notice or without incurring obligations.

For assistance within the U.S.A. contact:
Homeowner Support
Goodman Manufacturing Company, L.P.
19001 Kermier Road
Waller, Texas 77484
877-254-4729-Telephone
713-863-2382-Facsimile

For assistance outside the U.S.A. contact:
International Division
Goodman Manufacturing Company, L.P.
19001 Kermier Road
Waller, Texas 77484
713-861-2500-Telephone
713-863-2382-Facsimile

Functional Parts

Part

No: Description:

B12825171	3/8" SERVICE VALVE	B1789874	FLOW CHECK PISTON KIT .074 (M11)
CAP050350440CS	CAPACITOR 5/35/440V (M1)	B1789878	FLOW CHECK PISTON KIT .078 (M12, M13, M14)
CAP050000370LA	CAPACITOR 5/370V (M10, M13, M14, M16, M17)	B1789888	FLOW CHECK PISTON KIT .088 (M15, M16, M17)
CAP050400440CT	CAPACITOR 5/40/440V/DUAL RD (M2, M3, M4, M5, M6, M7)	0163R00004	HEATER CRANKCASE, 460V, 40W (M14, M17)
CAP050450440CT	CAPACITOR 5/45/440V/DUAL RD (M8, M9, M11, M12)	0163R00003	HEATER, CRANKCASE 230V 40W (M13, M16)
CAP050700440CT	CAPACITOR 5/70/440V/DUAL RD (M15)	0163R00002	HEATER, CRANKCASE 230V, 40W (M10)
ZP16K5EPFV130	COMPRESSOR 15500, 208/230/60/1 (M1)	0131M00022	MOTOR 1/4 HP, 8 PL, 460V (M14, M17)
ZP21K5EPFV130	COMPRESSOR 21300, 208/230/60/1 (M2, M3, M4, M5)	0131M00800	MOTOR, 1/8HP, 1SP, 6PL, AL (M5)
ZP25K5EPFV130	COMPRESSOR 25200, 208/230/60/1 (M6, M7)	0151M00018	REVERSING VALVE (M1, M2, M3, M6, M7)
ZP31K5EPFV130	COMPRESSOR 31100, 208/230/60/1 (M8, M9)	0151M00019	REVERSING VALVE (M8, M9, M10)
ZP31K5ETF5130	COMPRESSOR 31200, 200/230/60/3 (M10)	0151M00020	REVERSING VALVE (M11, M12, M13, M14, M15, M16, M17)
ZP36K5EPFV130	COMPRESSOR 36200, 208/230/60/1 (M11)	0151R00067	REVERSING VALVE (M5)
ZP39K5ETF5130	COMPRESSOR 39000, 200/230/60/3 (M13)	B1227314	REVERSING VALVE (M4)
ZP39K5EPFV130	COMPRESSOR 39000, 208/230/60/1 (M12)	B1225022	SOLENOID COIL
ZP39K5ETFD130	COMPRESSOR 39000, 460/60/3 (M14)	0151R00032	VALVE, BASE 3/4" OPEN LEFT (M1, M2, M3, M4, M5, M6, M7, M8, M9, M10)
ZP51K5EPFV130	COMPRESSOR 51000, 208/230/60/1 (M15)	0151R00033	VALVE, SERVICE 7/8" OPEN LEFT (M11, M12, M13, M14, M15, M16, M17)
ZP51K5ETF5130	COMPRESSOR 51000, 208/230/60/3 (M16)		
ZP51K5ETFD130	COMPRESSOR 51000, 460/60/3 (M17)		
0131M00061	COND MOTOR 1/4 HP, 1 SP, 8 PL (M8, M9, M10, M11, M12, M13, M15, M16)		
0131M00266	COND MOTOR 1/8 HP, 8 PL, PSC (M1, M2, M3, M4, M6, M7)		
CONT1P025024V	CONTACTOR 25 AMP, 1P, 24V (M1, M2, M3, M4, M5, M6, M7, M8, M9, M11)		
CONT3P025024V	CONTACTOR 25 AMP, 3P, 24V (M10, M13, M14, M16, M17)		
CONT1P030024V	CONTACTOR 30 AMP, 1P, 24V (M12, M15)		
0130M00105	CONTROL, DEFROST (M1, M2, M3, M6, M7, M8, M10, M11, M12, M13, M14, M15, M16, M17)		
0130M00098	CONTROL, DEFROST (M4, M5, M9)		
0130M00089	CUT-OUT SWITCH, HIGH PRESSURE (M1, M2, M3, M4, M5, M6, M7, M9, M12, M13, M14)		
0130R00056	CUT-OUT SWITCH, HIGH PRESSURE (M8, M10, M11, M15, M16, M17)		
0130R00001	CUT-OUT SWITCH, LOW PRESSURE (M4, M8, M9, M10, M11, M15, M16, M17)		
0130M00088	CUT-OUT SWITCH, LOW PRESSURE (M1, M2, M3, M5, M6, M7, M12, M13, M14)		
PCBDM101	DEFROST CONTROL BOARD (M2, M3, M4, M6, M7, M8, M9, M10, M11, M12, M13, M14, M15, M16, M17)		
PCBDM133	DEFROST CONTROL BOARD (M1, M5)		
0150M00018	FAN BLADE 20" (M1, M2, M3)		
0150M00012	FAN BLADE 20" CCW (M4, M6, M7)		
0150M00008	FAN BLADE 22" TNT2203-25 (M8, M9, M10, M11)		
10625738	FAN BLADE 26" ALUM CCW (M16, M17)		
0150M00013	FAN BLADE 26" CCW (M15)		
B1086765	FAN BLADE TYPE 3 (M12, M13, M14)		
0150M00033	FAN BLADE, 20", 3 BLADE, 24DEG (M5)		
B1789849	FLOW CHECK PISTON KIT .049 (M1)		
B1789857	FLOW CHECK PISTON KIT .057 (M2, M3, M4, M5)		
B1789863	FLOW CHECK PISTON KIT .063 (M6, M7)		
B1789868	FLOW CHECK PISTON KIT .068 (M8, M10)		
B1789870	FLOW CHECK PISTON KIT .070 (M9)		

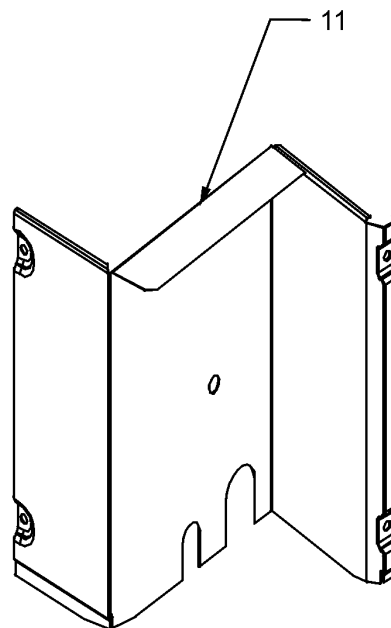
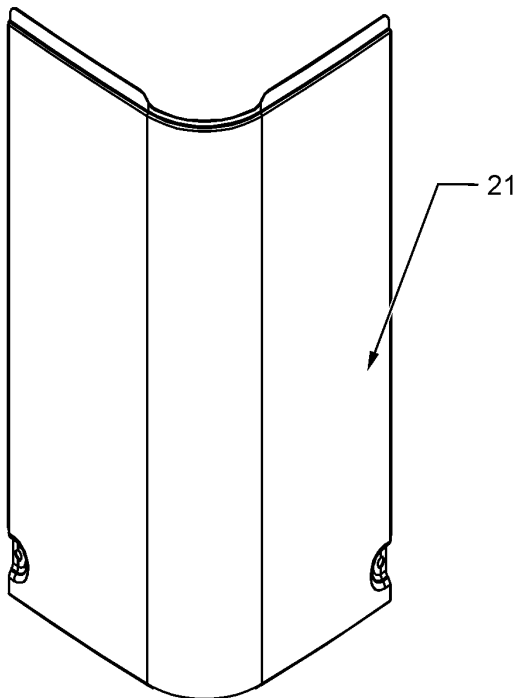
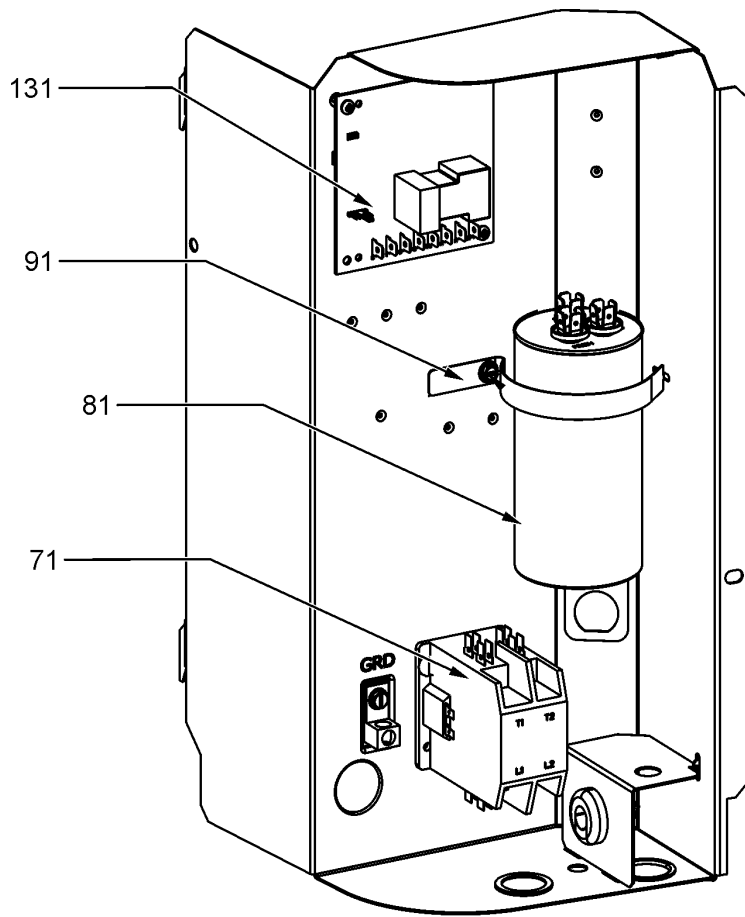
SPECIAL PARTS

0161R00009P NAMEPLATE

Expanded Model Nomenclature

M1 - GSZ130181AB
M2 - GSZ130241AB
M3 - GSZ130241AC
M4 - GSZ130241BA
M5 - GSZ130241BE
M6 - GSZ130301AB
M7 - GSZ130301AC
M8 - GSZ130361AB
M9 - GSZ130361BA
M10 - GSZ130363AA
M11 - GSZ130421AB
M12 - GSZ130481AB
M13 - GSZ130483AA
M14 - GSZ130484AA
M15 - GSZ130601AB
M16 - GSZ130603AA
M17 - GSZ130604AA

Control Box Assy



Control Box Assy

Ref. Part No: No:	Description:	Ref. Part No: No:	Description:
-------------------	--------------	-------------------	--------------

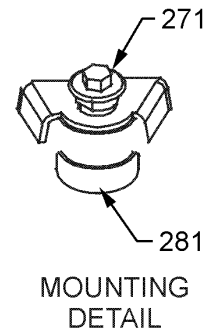
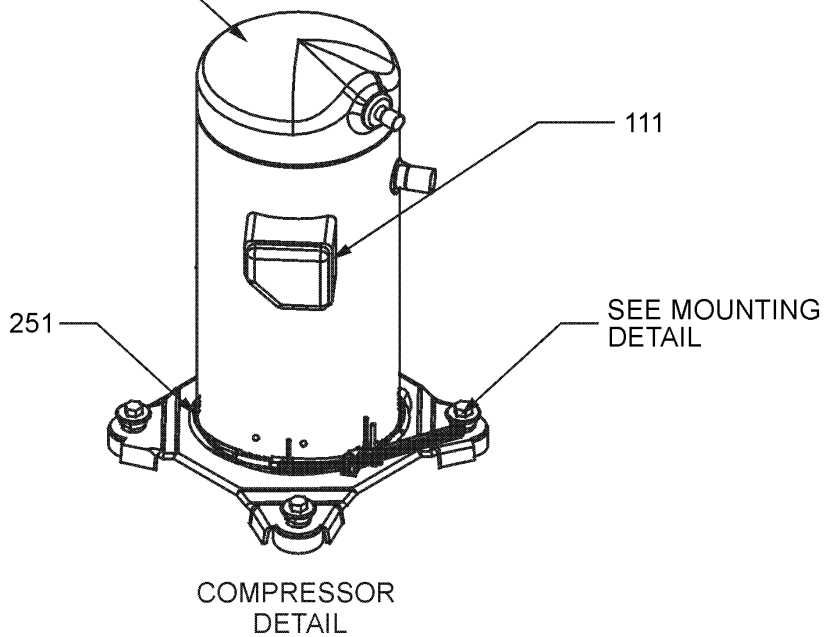
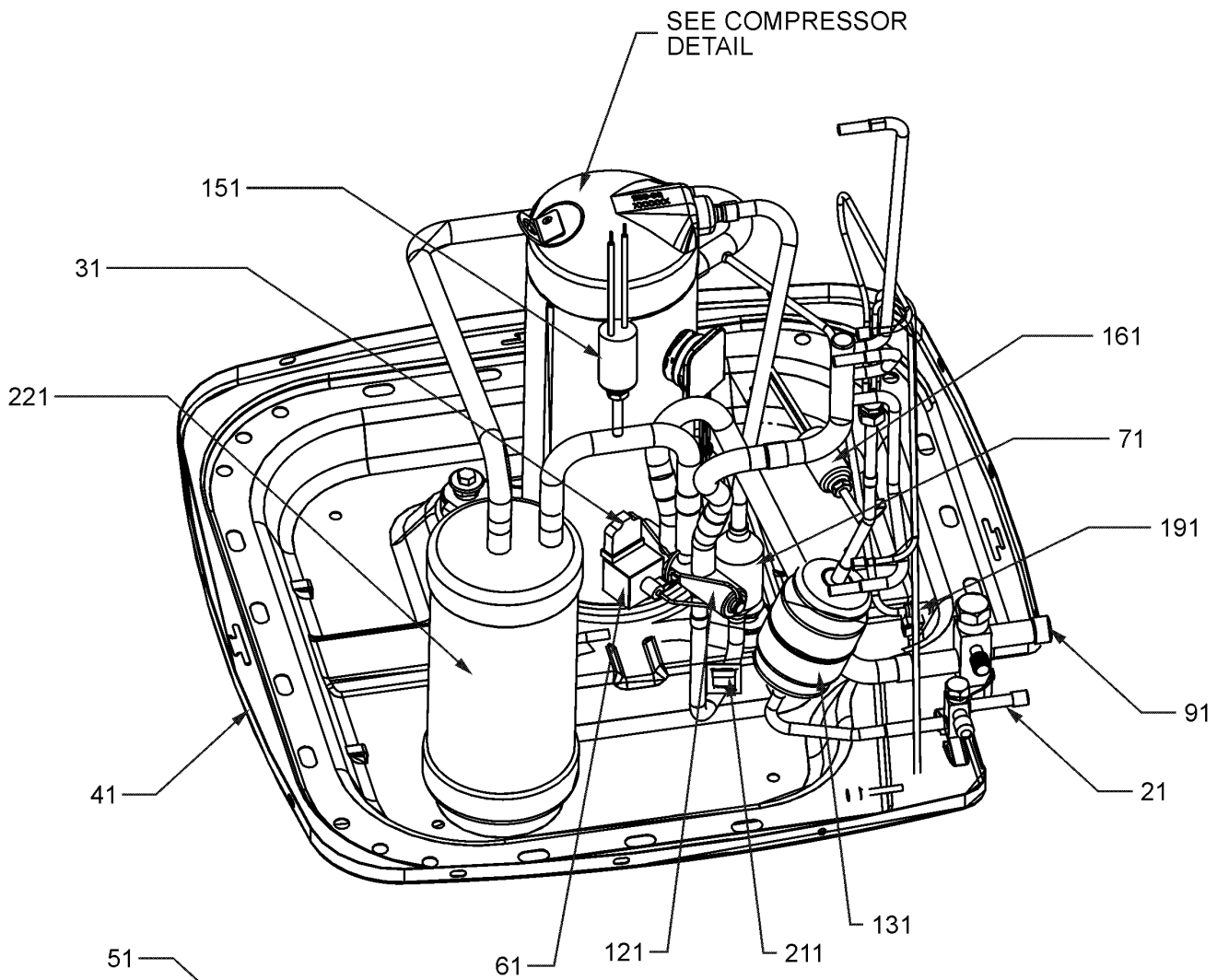
Image 1:

11	0121R00663PDG	LOWER ACCESS PANEL (M1, M2, M3, M4, M5, M6, M7, M9)
11	0121R00318PDG	PANEL, LOWER ACCESS PNT (M8, M10, M11)
11	0121R00321PDG	PANEL, LOWER ACCESS PNT (M12, M13, M14, M15, M16, M17)
21	0121R00053PDG	CONTROL COVER
71	CONT1P025024V	CONTACTOR 25 AMP, 1P, 24V (M1, M2, M3, M4, M5, M6, M7, M8, M9, M11)
71	CONT3P025024V	CONTACTOR 25 AMP, 3P, 24V (M10, M13, M14, M16, M17)
71	CONT1P030024V	CONTACTOR 30 AMP, 1P, 24V (M12, M15)
81	CAP050350440CS	CAPACITOR 5/35/440V (M1)
81	CAP050000370LA	CAPACITOR 5/370V (M10, M13, M14, M16, M17)
81	CAP050400440CT	CAPACITOR 5/40/440V/DUAL RD (M2, M3, M4, M5, M6, M7)
81	CAP050450440CT	CAPACITOR 5/45/440V/DUAL RD (M8, M9, M11, M12)
81	CAP050700440CT	CAPACITOR 5/70/440V/DUAL RD (M15)
91	4400065	CAPACITOR STRAP
131	PCBDM101	DEFROST CONTROL BOARD (M2, M3, M4, M6, M7, M8, M9, M10, M11, M12, M13, M14, M15, M16, M17)
131	PCBDM133	DEFROST CONTROL BOARD (M1, M5)
NS	0161R00009P	NAMEPLATE

Expanded Model Nomenclature

- M1 - GSZ130181AB
- M2 - GSZ130241AB
- M3 - GSZ130241AC
- M4 - GSZ130241BA
- M5 - GSZ130241BE
- M6 - GSZ130301AB
- M7 - GSZ130301AC
- M8 - GSZ130361AB
- M9 - GSZ130361BA
- M10 - GSZ130363AA
- M11 - GSZ130421AB
- M12 - GSZ130481AB
- M13 - GSZ130483AA
- M14 - GSZ130484AA
- M15 - GSZ130601AB
- M16 - GSZ130603AA
- M17 - GSZ130604AA

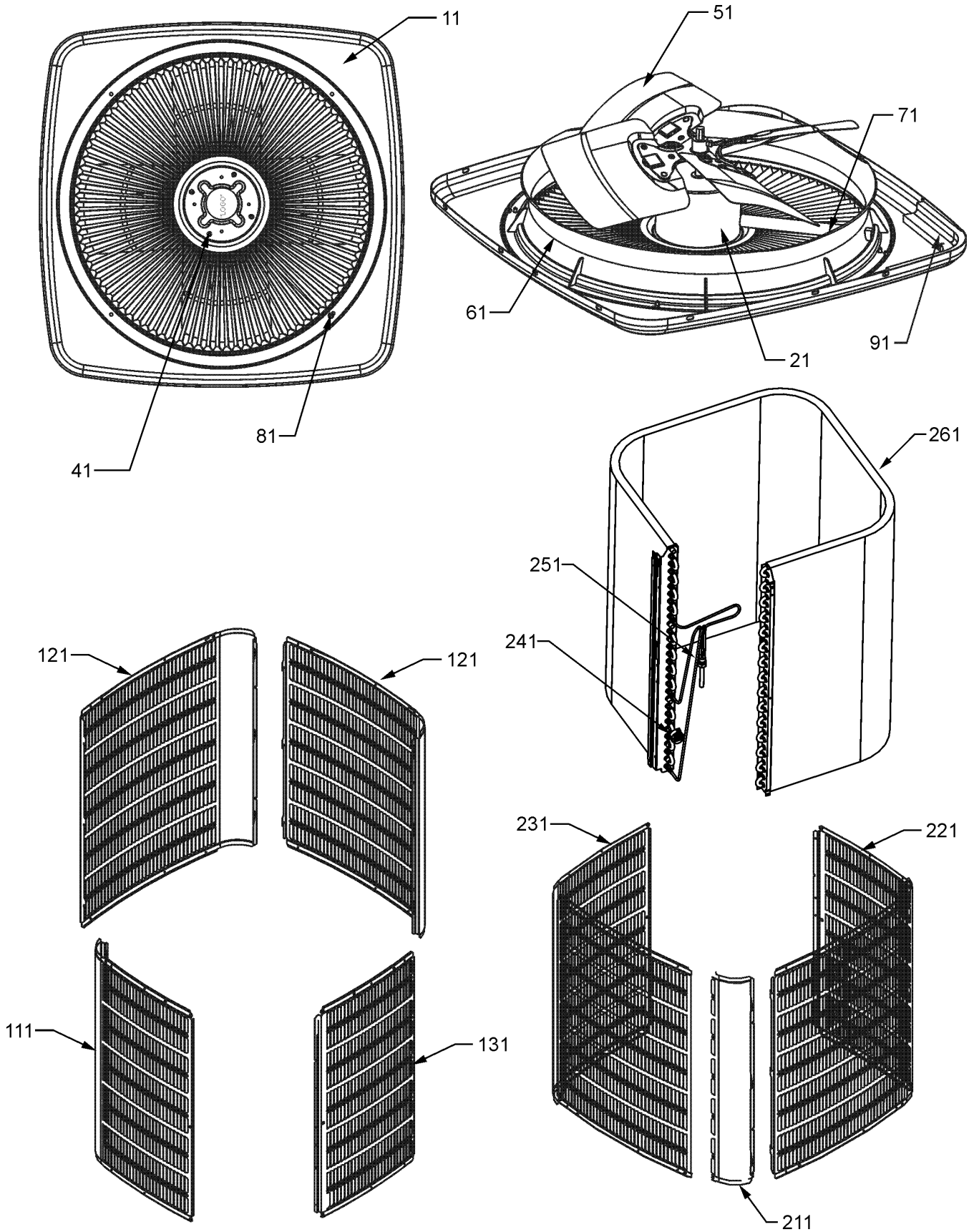
Compressor and Tubing Assembly



Compressor and Tubing Assembly

Ref. Part No:	Description:	Ref. Part No:	Description:
Image 1:		Image 1:	
21	B12825171 3/8" SERVICE VALVE	251	0163R00002 HEATER, CRANKCASE 230V, 40W (M10)
31	B1225020 SOLENOID COIL CORD W/1/4" TERMINAL (M1, M2, M3, M4, M6, M7, M8, M9, M10, M11, M12, M13, M14, M15, M16, M17)	271	M0221641 TF SHOULDER SCREW (QTY 4)
41	0121R00005PDG BASE PAN 26" (M1, M2, M3, M4, M5, M6, M7)	281	B1339533 COMPRESSOR GROMMET (QTY 4)
41	0121R00006PDG BASE PAN 29" (M8, M9, M10, M11, M12, M13, M14)	NS	20270812 COMPENSATOR (M9)
41	0121R00007PDG BASE PAN 35" (M15, M16, M17)	NS	20270815 COMPENSATOR (M4, M5)
51	ZP16K5EPFV130 COMPRESSOR 15500, 208/230/60/1 (M1)	Expanded Model Nomenclature	
51	ZP21K5EPFV130 COMPRESSOR 21300, 208/230/60/1 (M2, M3, M4, M5)	M1 - GSZ130181AB	
51	ZP25K5EPFV130 COMPRESSOR 25200, 208/230/60/1 (M6, M7)	M2 - GSZ130241AB	
51	ZP31K5EPFV130 COMPRESSOR 31100, 208/230/60/1 (M8, M9)	M3 - GSZ130241AC	
51	ZP31K5ETF5130 COMPRESSOR 31200, 200/230/60/3 (M10)	M4 - GSZ130241BA	
51	ZP36K5EPFV130 COMPRESSOR 36200, 208/230/60/1 (M11)	M5 - GSZ130241BE	
51	ZP39K5ETF5130 COMPRESSOR 39000, 200/230/60/3 (M13)	M6 - GSZ130301AB	
51	ZP39K5EPFV130 COMPRESSOR 39000, 208/230/60/1 (M12)	M7 - GSZ130301AC	
51	ZP39K5ETFD130 COMPRESSOR 39000, 460/60/3 (M14)	M8 - GSZ130361AB	
51	ZP51K5EPFV130 COMPRESSOR 51000, 208/230/60/1 (M15)	M9 - GSZ130361BA	
51	ZP51K5ETF5130 COMPRESSOR 51000, 208/230/60/3 (M16)	M10 - GSZ130363AA	
51	ZP51K5ETFD130 COMPRESSOR 51000, 460/60/3 (M17)	M11 - GSZ130421AB	
61	B1225022 SOLENOID COIL	M12 - GSZ130481AB	
71	B1219301 MUFFLER 1/2 X 1/2	M13 - GSZ130483AA	
91	0151R00032 VALVE, BASE 3/4" OPEN LEFT (M1, M2, M3, M4, M5, M6, M7, M8, M9, M10)	M14 - GSZ130484AA	
91	0151R00033 VALVE, SERVICE 7/8" OPEN LEFT (M11, M12, M13, M14, M15, M16, M17)	M15 - GSZ130601AB	
111	0159R00000P COMPRESSOR SCROLL HARNESS (M1, M2, M3, M4, M5, M6, M7)	M16 - GSZ130603AA	
111	0159R00001P COMPRESSOR SCROLL HARNESS (M8, M9, M11, M12)	M17 - GSZ130604AA	
111	0159R00002P COMPRESSOR SCROLL HARNESS (M15)		
111	0159R00008 COMPRESSOR SCROLL HARNESS (M10, M13, M14)		
111	0159R00009 COMPRESSOR SCROLL HARNESS (M16, M17)		
121	0151M00018 REVERSING VALVE (M1, M2, M3, M6, M7)		
121	0151M00019 REVERSING VALVE (M8, M9, M10)		
121	0151M00020 REVERSING VALVE (M11, M12, M13, M14, M15, M16, M17)		
121	0151R00067 REVERSING VALVE (M5)		
121	B1227314 REVERSING VALVE (M4)		
131	20485201 BI-FLOW FILTER DRIER (M4, M5, M9)		
131	20485201 BI-FLOW FILTER DRIER (M4, M5, M9)		
151	0130M00088 CUT-OUT SWITCH, LOW PRESSURE (M1, M2, M3, M5, M6, M7, M12, M13, M14)		
151	0130R00001 CUT-OUT SWITCH, LOW PRESSURE (M4, M8, M9, M10, M11, M15, M16, M17)		
161	0130M00089 CUT-OUT SWITCH, HIGH PRESSURE (M1, M2, M3, M4, M5, M6, M7, M9, M12, M13, M14)		
161	0130R00056 CUT-OUT SWITCH, HIGH PRESSURE (M8, M10, M11, M15, M16, M17)		
191	B1787000 VALVE CORE		
221	B1226206 ACCUMULATOR (M1, M2, M3, M4, M5, M6, M7, M10)		
221	0151R00004P ACCUMULATOR .750 (M8, M9)		
221	B1226207 ACCUMULATOR .875 (M11, M12, M13, M14, M15, M16, M17)		
251	0163R00004 HEATER CRANKCASE, 460V, 40W (M14, M17)		
251	0163R00003 HEATER, CRANKCASE 230V 40W (M13, M16)		

Cabinet Top and Side Panel Assy



Cabinet Top and Side Panel Assy

Ref. Part No: No:	Description:	Ref. Part No: No:	Description:																	
Image 1:		Image 1:																		
11	0121R00008PDG TOP PANEL 26" (M1, M2, M3, M4, M5, M6, M7)	251	B1789857 FLOW CHECK PISTON KIT .057 (M2, M3, M4, M5)																	
11	0121R00010PDG TOP PANEL 29" (M8, M9, M10, M11, M12, M13, M14)	251	B1789863 FLOW CHECK PISTON KIT .063 (M6, M7)																	
11	0121R00269PDG Top Panel, 35" Pnt (M15, M16, M17)	251	B1789868 FLOW CHECK PISTON KIT .068 (M8, M10)																	
21	0131M00061 COND MOTOR 1/4 HP, 1 SP, 8 PL (M8, M9, M10, M11, M12, M13, M15, M16)	251	B1789870 FLOW CHECK PISTON KIT .070 (M9)																	
21	0131M00266 COND MOTOR 1/8 HP, 8 PL, PSC (M1, M2, M3, M4, M6, M7)	251	B1789874 FLOW CHECK PISTON KIT .074 (M11)																	
21	0131M00022 MOTOR 1/4 HP, 8 PL, 460V (M14, M17)	251	B1789878 FLOW CHECK PISTON KIT .078 (M12, M13, M14)																	
21	0131M00800 MOTOR, 1/8HP, 1SP, 6PL, AL (M5)	251	B1789888 FLOW CHECK PISTON KIT .088 (M15, M16, M17)																	
41	0163M00006P ACORN NUT 5/16 HEX BLACK (QTY 4)	261	0201R00150S TUBING ASSY, COND COIL (M1)																	
51	0150M00018 FAN BLADE 20" (M1, M2, M3)	261	0201R00151S TUBING ASSY, COND COIL (M8, M10)																	
51	0150M00012 FAN BLADE 20" CCW (M4, M6, M7)	261	0201R00152S TUBING ASSY, COND COIL (M11)																	
51	0150M00008 FAN BLADE 22" TNT2203-25 (M8, M9, M10, M11)	261	0201R00154S TUBING ASSY, COND COIL (M12, M13, M14)																	
51	10625738 FAN BLADE 26" ALUM CCW (M16, M17)	261	0201R00155S TUBING ASSY, COND COIL (M15, M16, M17)																	
51	0150M00013 FAN BLADE 26" CCW (M15)	261	0201R00156S TUBING ASSY, COND COIL (M2)																	
51	B1086765 FAN BLADE TYPE 3 (M12, M13, M14)	261	0201R00157S TUBING ASSY, COND COIL (M6)																	
51	0150M00033 FAN BLADE, 20", 3 BLADE, 24DEG (M5)	261	0201R00285 TUBING ASSY, COND COIL (M9)																	
61	0161L00000 VENTURI RING 22" (M8, M9, M10, M11, M12, M13, M14)	261	0201R00317 TUBING ASSY, COND COIL (M4, M5)																	
61	0161R00007P VENTURI RING 35" (M15, M16, M17)	261	0201R00324 TUBING ASSY, COND COIL (M3)																	
71	0161R00001P CONDUIT (M1, M2, M3, M4, M5, M6, M7)	261	0201R00325 TUBING ASSY, COND COIL (M7)																	
71	0161R00002P CONDUIT (M8, M9, M10, M11, M12, M13, M14)	Expanded Model Nomenclature																		
71	0161R00004P CONDUIT (M15, M16, M17)	<table border="1"> <tr><td>M1 - GSZ130181AB</td></tr> <tr><td>M2 - GSZ130241AB</td></tr> <tr><td>M3 - GSZ130241AC</td></tr> <tr><td>M4 - GSZ130241BA</td></tr> <tr><td>M5 - GSZ130241BE</td></tr> <tr><td>M6 - GSZ130301AB</td></tr> <tr><td>M7 - GSZ130301AC</td></tr> <tr><td>M8 - GSZ130361AB</td></tr> <tr><td>M9 - GSZ130361BA</td></tr> <tr><td>M10 - GSZ130363AA</td></tr> <tr><td>M11 - GSZ130421AB</td></tr> <tr><td>M12 - GSZ130481AB</td></tr> <tr><td>M13 - GSZ130483AA</td></tr> <tr><td>M14 - GSZ130484AA</td></tr> <tr><td>M15 - GSZ130601AB</td></tr> <tr><td>M16 - GSZ130603AA</td></tr> <tr><td>M17 - GSZ130604AA</td></tr> </table>		M1 - GSZ130181AB	M2 - GSZ130241AB	M3 - GSZ130241AC	M4 - GSZ130241BA	M5 - GSZ130241BE	M6 - GSZ130301AB	M7 - GSZ130301AC	M8 - GSZ130361AB	M9 - GSZ130361BA	M10 - GSZ130363AA	M11 - GSZ130421AB	M12 - GSZ130481AB	M13 - GSZ130483AA	M14 - GSZ130484AA	M15 - GSZ130601AB	M16 - GSZ130603AA	M17 - GSZ130604AA
M1 - GSZ130181AB																				
M2 - GSZ130241AB																				
M3 - GSZ130241AC																				
M4 - GSZ130241BA																				
M5 - GSZ130241BE																				
M6 - GSZ130301AB																				
M7 - GSZ130301AC																				
M8 - GSZ130361AB																				
M9 - GSZ130361BA																				
M10 - GSZ130363AA																				
M11 - GSZ130421AB																				
M12 - GSZ130481AB																				
M13 - GSZ130483AA																				
M14 - GSZ130484AA																				
M15 - GSZ130601AB																				
M16 - GSZ130603AA																				
M17 - GSZ130604AA																				
91	0154R00006 GASKET, CONTROL PANEL																			
111	0121R00015PDGB LOUVERED SIDE PANEL [LT OF CNTL PNL] (M1, M2, M3, M6, M7)																			
111	0121R00025PDGB LOUVERED SIDE PANEL [LT OF CNTL PNL] (M12, M13, M14)																			
111	0121R00027PDGB LOUVERED SIDE PANEL [LT OF CNTL PNL] (M8, M10, M11)																			
111	0121R00042PDGB LOUVERED SIDE PANEL [LT OF CNTL PNL] (M15, M16, M17)																			
111	0121R00125PDGB LOUVERED SIDE PANEL [LT OF CNTL PNL] (M9)																			
111	0121R00171PDGB LOUVERED SIDE PANEL [LT OF CNTL PNL] (M4)																			
121	0121R00018PDGB LOUVERED SIDE PANEL (M1, M2, M3, M6, M7)																			
121	0121R00031PDGB LOUVERED SIDE PANEL (M12, M13, M14)																			
121	0121R00033PDGB LOUVERED SIDE PANEL (M8, M10, M11)																			
121	0121R00046PDGB LOUVERED SIDE PANEL (M15, M16, M17)																			
121	0121R00132PDGB LOUVERED SIDE PANEL (M9)																			
121	0121R00172PDGB LOUVERED SIDE PANEL (M4)																			
131	0121R00021PDG LOUVERED SIDE PANEL [RT OF CNTL PNL] (M1, M2, M3, M6, M7)																			
131	0121R00139PDG LOUVERED SIDE PANEL [RT OF CNTL PNL] (M9)																			
131	0121R00037PDG LOUVERED SIDE PANEL [RT OF CNTL PNL] (M12, M13, M14)																			
131	0121R00039PDG LOUVERED SIDE PANEL [RT OF CNTL PNL] (M8, M10, M11)																			
131	0121R00050PDG LOUVERED SIDE PANEL [RT OF CNTL PNL] (M15, M16, M17)																			
131	0121R00173PDG LOUVERED SIDE PANEL [RT OF CNTL PNL] (M4)																			
211	0121R00350PDG Louver Post, PDG 28.73 (M5)																			
221	0121R00337PDGLS Louver Panel, PDG 26"_28.73 (M5)																			
231	0121R00337PDGRS Louver Panel, PDG 26"_28.73 (M5)																			
241	0130M00098 CONTROL, DEFROST (M4, M5, M9)																			
241	0130M00105 CONTROL, DEFROST (M1, M2, M3, M6, M7, M8, M10, M11, M12, M13, M14, M15, M16, M17)																			
251	B1789849 FLOW CHECK PISTON KIT .049 (M1)																			