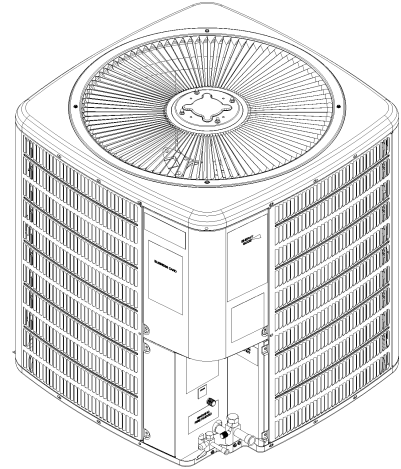


GSZ13 Remote Heat Pump

GSZ130181AF
GSZ130181AG
GSZ130191AA
GSZ130191AB
GSZ130191AC
GSZ130191AD
GSZ130241BD
GSZ130241CB
GSZ130251AA
GSZ130251AB
GSZ130251AC
GSZ130251BB
GSZ130301AG
GSZ130301AH
GSZ130311AA
GSZ130311AB
GSZ130311AC
GSZ130311AD
GSZ130361BD
GSZ130363AD
GSZ130371AA
GSZ130371AB
GSZ130421AF
GSZ130421AG
GSZ130481AF
GSZ130481AG
GSZ130483AD
GSZ130483AE
GSZ130484AC
GSZ130484AD



This manual is to be used by qualified technicians only.

This manual replaces RP-707E.

Important Information

Index

Functional Parts List	3 - 4
Illustration and Parts	4 - 9

Views shown are for parts illustrations only, not servicing procedures

Text Codes:

AR - As Required

NA - Not Available

NS - Not Shown

00000000 - See Note

QTY - Quantity Example (QTY 3) (If Quantity not shown, Quantity = 1)

M - Model Example (M1) (If M Code not shown, then part is used on all Models)

Expanded Model Nomenclature:

Example M1 - Model#1 M2 - Model#2 M3 - Model#3

Goodman Manufacturing Company, L.P. is not responsible for personal injury or property damage resulting from improper service. Review all service information before beginning repairs.

Warranty service must be performed by an authorized technician, using authorized factory parts. If service is required after the warranty expires, Goodman Manufacturing Company, L.P. also recommends contacting an authorized technician and using authorized factory parts.

Goodman Manufacturing Company, L.P. reserves the right to discontinue, or change at any time, specifications or designs without notice or without incurring obligations.

For assistance within the U.S.A. contact:
Homeowner Support
Goodman Manufacturing Company, L.P.
19001 Kermier Road
Waller, Texas 77484
877-254-4729-Telephone
713-863-2382-Facsimile

For assistance outside the U.S.A. contact:
International Division
Goodman Manufacturing Company, L.P.
19001 Kermier Road
Waller, Texas 77484
713-861-2500-Telephone
713-863-2382-Facsimile

Functional Parts

Part

No: Description:

Part No:	Description:	Part No:	Description:
B1226206	ACCUMULATOR (M1, M2, M3, M4, M5, M6, M7, M8, M9, M10, M11, M12, M13, M14, M15, M16, M17, M18, M20)	PCBDM133	DEFROST CONTROL BOARD (M1, M2, M3, M4, M5, M6, M7, M8, M9, M10, M11, M12, M13, M14, M15, M16, M17, M18, M19, M21, M22, M23, M24, M25, M26, M27)
0151R00004P	ACCUMULATOR .750 (M19, M21, M22)	0130M00106	DISC THERMOSTAT CRNKCS HTR SW (M1, M2, M3, M4, M5, M6, M7, M8, M9, M10, M11, M12, M13, M14, M15, M16, M17, M18, M19, M21, M22, M23, M24, M25, M26, M27)
B1226207	ACCUMULATOR .875 (M23, M24, M25, M26, M27, M28, M29, M30)	0150M00018	FAN BLADE 20" (M1, M2)
0151R00079	BASE VALVE 3/4" (M1, M2, M3, M4, M5, M6, M7, M8, M9, M10, M11, M12, M13, M14, M15, M16, M17, M18, M19, M20, M21, M22)	B1086750	FAN BLADE 22", 3 BLADE, 24° (M26, M27, M28, M29)
0151R00167	BASE VALVE 3/8"	B1086765	FAN BLADE TYPE 3 (M30)
0151R00080	BASE VALVE 7/8" (M23, M24, M25, M26, M27, M28, M29, M30)	0150M00031	FAN BLADE, 20", 3 BLADE, 21DEG (M3, M4, M5, M6)
0150M00012	BLADE-FAN 20" CCW (M8, M12, M13, M14)	0150M00033	FAN BLADE, 20", 3 BLADE, 24DEG (M7, M9, M10, M11, M15, M16, M17, M18)
CAP050300440CS	CAP.5/30MFD/440V/DUAL RD (M1, M2, M3, M4, M5, M6)	0150M00022	FAN BLADE, 22" (M19, M20, M21, M22, M23, M24, M25)
CAP050350440CS	CAPACITOR 5/35/440V (M8, M12)	0163R00004	HEATER CRANKCASE, 460V, 40W (M30)
CAP050000370LA	CAPACITOR 5/370V (M20, M28, M29, M30)	0163R00003	HEATER, CRANKCASE 230V 40W (M28, M29)
CAP050400440CT	CAPACITOR 5/40/440V/DUAL RD (M7, M9, M10, M11, M13, M14, M15, M16, M17, M18)	0163R00002	HEATER, CRANKCASE 230V, 40W (M20)
CAP050450440CT	CAPACITOR 5/45/440V/DUAL RD (M19, M21, M22, M23, M24, M25, M26, M27)	0163R00006	HEATER, CRANKCASE 230V, 40W (M1, M2, M3, M4, M5, M6, M7, M8, M9, M10, M11, M12, M13, M14, M15, M16, M17, M18, M19, M21, M22)
ZP16K5EPFV130	COMPRESSOR 15500, 208/230/60/1 (M1, M2, M3, M4, M5, M6)	0163R00007	HEATER, CRANKCASE 230V, 40W (M23, M24, M25, M26, M27)
ZP20K5EPFV130	COMPRESSOR 20000, 208/230/60/1 (M8, M12)	0130R00056	HIGH PRESSURE SWITCH (M20, M28, M29, M30)
ZP21K5EPFV130	COMPRESSOR 21300, 208/230/60/1 (M7, M9, M10, M11)	0130M00089	HIGH PRESSURE SWITCH (M1, M2, M3, M4, M5, M6, M7, M8, M9, M10, M11, M12, M13, M14, M15, M16, M17, M18, M19, M20, M21, M22, M23, M24, M25, M26, M27)
ZP25K5EPFV130	COMPRESSOR 25200, 208/230/60/1 (M13, M14, M15, M16, M17, M18)	0130M00088	LOW PRESSURE SWITCH (M1, M2, M3, M4, M5, M6, M7, M8, M9, M10, M11, M12, M13, M14, M15, M16, M17, M18, M19, M21, M22, M23, M24, M25, M26, M27)
ZP31K5EPFV130	COMPRESSOR 31100, 208/230/60/1 (M19, M21, M22)	0151R00070	REVERSING VALVE (M27, M29)
ZP31K5ETF5130	COMPRESSOR 31200, 200/230/60/3 (M20)	B1227314	REVERSING VALVE (M8, M9, M12)
ZP34K5EPFV130	COMPRESSOR 34500, 208/230/60/1 (M23, M24, M25)	B1227315	REVERSING VALVE (M1, M3, M4, M13, M15, M16)
ZP39K5ETF5130	COMPRESSOR 39000, 200/230/60/3 (M28, M29)	B1227316	REVERSING VALVE (M19, M20, M21, M22)
ZP39K5EPFV130	COMPRESSOR 39000, 208/230/60/1 (M26, M27)	B1227317	REVERSING VALVE (M23, M24, M25)
ZP39K5ETFD130	COMPRESSOR 39000, 460/60/3 (M30)	0151M00020	REVERSING VALVE (M26, M28, M30)
0131M00018P	COND MOTOR 1/4 HP, 1 SP, 6 PL (M19, M20, M21, M22, M23, M24, M25, M26, M27, M28, M29)	0151R00068	REVERSING VALVE (M2, M5, M6, M14, M17, M18)
0131M00022	COND MOTOR 1/4 HP, 8 PL, 460V (M30)	B1227314	REVERSING VALVE (M8, M9, M12)
0131M00800	COND MOTOR, 1/8HP, 1SP, 6PL, AL (M6, M11, M18)	0151R00067	REVERSING VALVE (M7, M10, M11)
0131M00294	COND MOTOR, 1/8HP, ISP, 6PL (M3, M4, M5, M7, M9, M10, M15, M16, M17)		
0131M00266	COND MOTOR1/8 HP 8 PL PSC (M1, M2, M8, M12, M13, M14)		
CONT1P025024V	CONTACTOR 25 AMP, 1P, 24V (M1, M2, M3, M4, M5, M6, M7, M8, M9, M10, M11, M12, M13, M14, M15, M16, M17, M18, M19, M21, M22, M23, M24, M25)		
CONT3P025024V	CONTACTOR 25 AMP, 3P, 24V (M20, M28, M29, M30)		
CONT1P030024V	CONTACTOR 30 AMP, 1P, 24V (M26, M27)		
0130M00098	CONTROL, DEFROST (M7, M8, M9, M10, M11, M12, M19, M21, M22)		
0130M00105	CONTROL, DEFROST (M1, M2, M3, M4, M5, M6, M13, M14, M15, M16, M17, M18, M20, M23, M24, M25, M26, M27, M28, M29, M30)		
0130R00001	CUT-OUT SWITCH, LOW PRESSURE (M20, M28, M29, M30)		
PCBDM101	DEFROST CONTROL BOARD (M20, M28, M29, M30)		

Functional Parts

Part

No: Description:

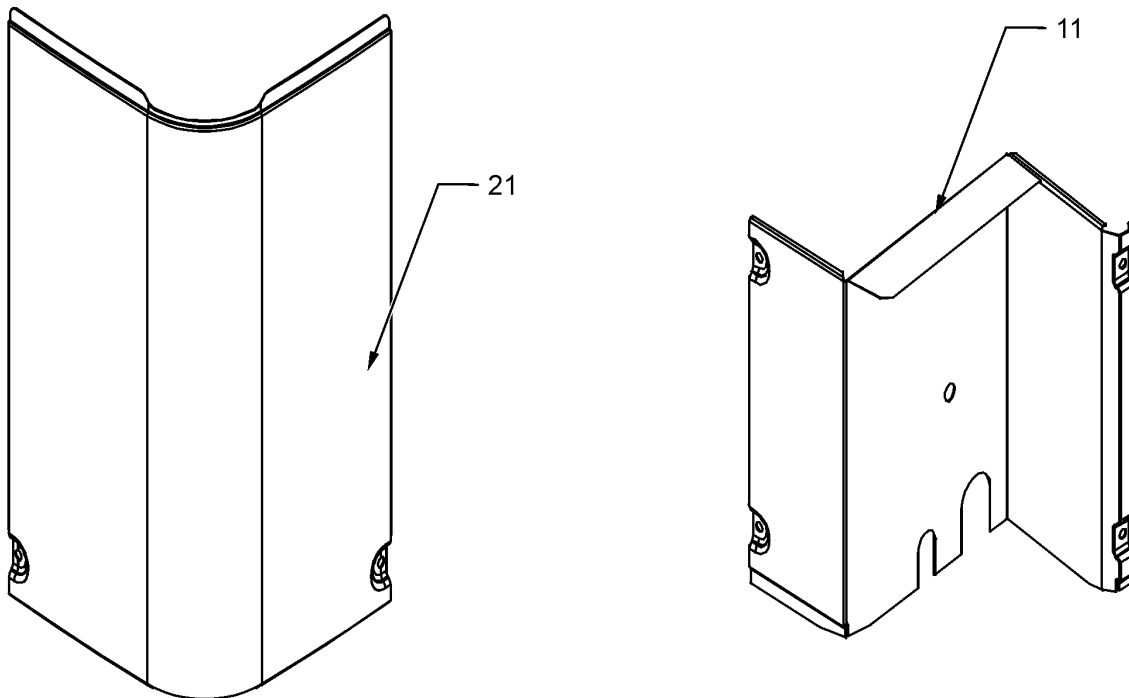
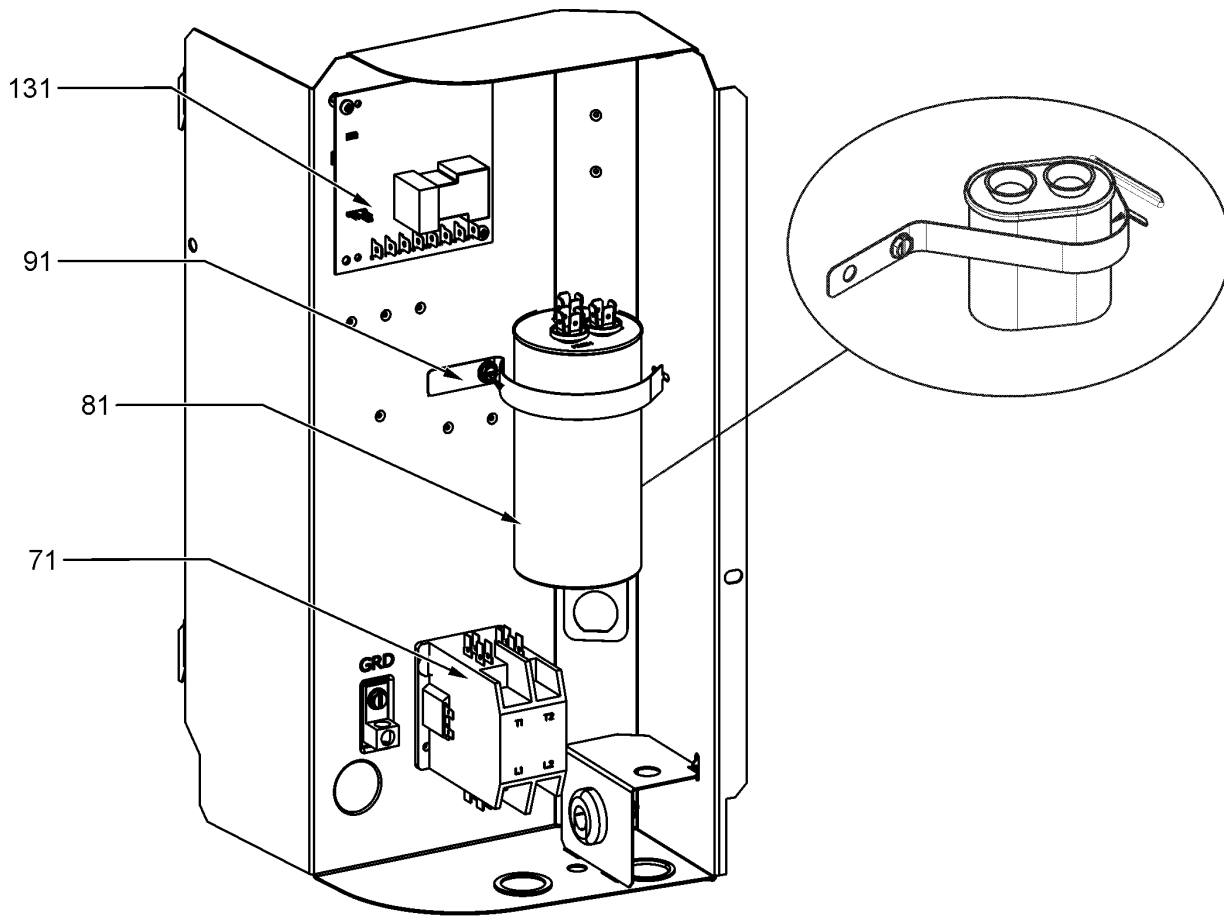
SPECIAL PARTS

0161R00009P NAMEPLATE (M20)
0161R00092 NAMEPLATE, GOODMAN (M1, M2, M3, M4,
M5, M6, M7, M8, M9, M10, M11, M12, M13,
M14, M15, M16, M17, M18, M19, M21, M22,
M23, M24, M25, M26, M27, M28, M29, M30)

Expanded Model Nomenclature

M1 - GSZ130181AF
M2 - GSZ130181AG
M3 - GSZ130191AA
M4 - GSZ130191AB
M5 - GSZ130191AC
M6 - GSZ130191AD
M7 - GSZ130241BD
M8 - GSZ130241CB
M9 - GSZ130251AA
M10 - GSZ130251AB
M11 - GSZ130251AC
M12 - GSZ130251BB
M13 - GSZ130301AG
M14 - GSZ130301AH
M15 - GSZ130311AA
M16 - GSZ130311AB
M17 - GSZ130311AC
M18 - GSZ130311AD
M19 - GSZ130361BD
M20 - GSZ130363AD
M21 - GSZ130371AA
M22 - GSZ130371AB
M23 - GSZ130421AF
M24 - GSZ130421AG
M25 - GSZ130481AF
M26 - GSZ130481AG
M27 - GSZ130483AD
M28 - GSZ130483AE
M29 - GSZ130484AC
M30 - GSZ130484AD

Control box Assy



Control box Assy

Ref. Part

No: No: Description:

Ref. Part

No: No: Description:

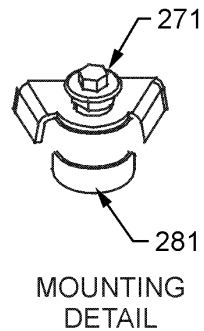
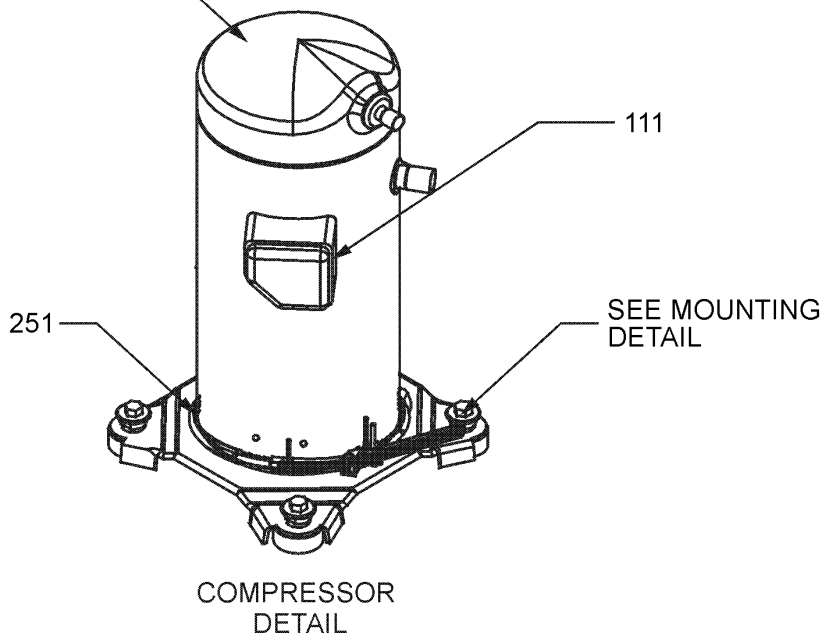
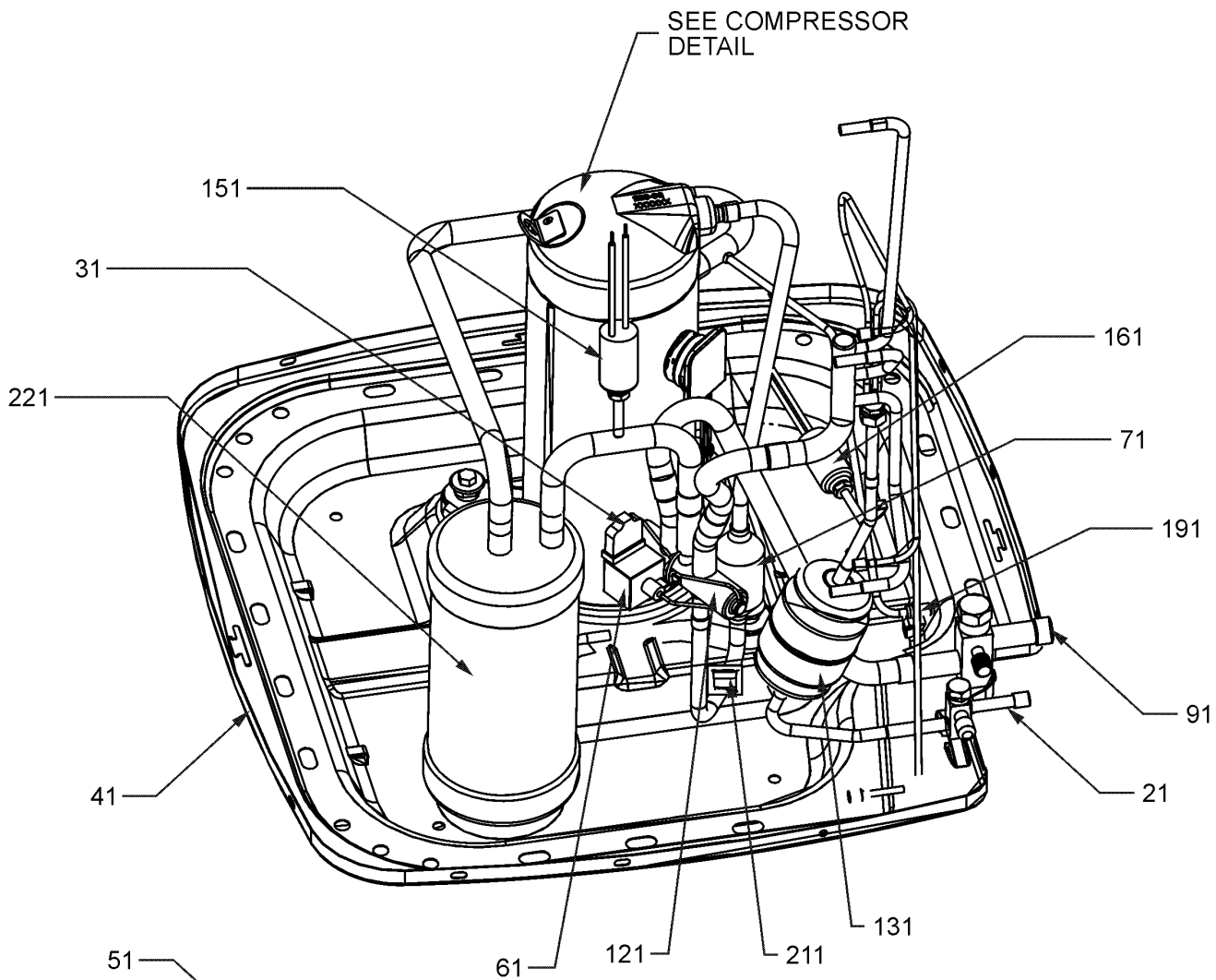
Image 1:

11	0121R00663PDG	LOWER ACCESS PANEL (M1, M2, M3, M4, M5, M6, M7, M8, M9, M10, M11, M12, M13, M14, M15, M16, M17, M18, M19, M21, M22)
11	0121R00318PDG	PANEL, LOWER ACCESS PNT (M20, M23, M24, M25)
11	0121R00321PDG	PANEL, LOWER ACCESS PNT (M26, M27, M28, M29, M30)
21	0121R00053PDG	CONTROL COVER
71	CONT1P025024V	CONTACTOR 25 AMP, 1P, 24V (M1, M2, M3, M4, M5, M6, M7, M8, M9, M10, M11, M12, M13, M14, M15, M16, M17, M18, M19, M21, M22, M23, M24, M25)
71	CONT3P025024V	CONTACTOR 25 AMP, 3P, 24V (M20, M28, M29, M30)
71	CONT1P030024V	CONTACTOR 30 AMP, 1P, 24V (M26, M27)
81	CAP050300440CS	CAP.5/30MFD/440V/DUAL RD (M1, M2, M3, M4, M5, M6)
81	CAP050350440CS	CAPACITOR 5/35/440V (M8, M12)
81	CAP050000370LA	CAPACITOR 5/370V (M20, M28, M29, M30)
81	CAP050400440CT	CAPACITOR 5/40/440V/DUAL RD (M7, M9, M10, M11, M13, M14, M15, M16, M17, M18)
81	CAP050450440CT	CAPACITOR 5/45/440V/DUAL RD (M19, M21, M22, M23, M24, M25, M26, M27)
91	4400065	CAPACITOR STRAP
131	PCBDM101	DEFROST CONTROL BOARD (M20, M28, M29, M30)
131	PCBDM133	DEFROST CONTROL BOARD (M1, M2, M3, M4, M5, M6, M7, M8, M9, M10, M11, M12, M13, M14, M15, M16, M17, M18, M19, M21, M22, M23, M24, M25, M26, M27)
NS	0161R00009P	NAMEPLATE (M20)
NS	0161R00092	NAMEPLATE, GOODMAN (M1, M2, M3, M4, M5, M6, M7, M8, M9, M10, M11, M12, M13, M14, M15, M16, M17, M18, M19, M21, M22, M23, M24, M25, M26, M27, M28, M29, M30)

Expanded Model Nomenclature

M1 - GSZ130181AF
M2 - GSZ130181AG
M3 - GSZ130191AA
M4 - GSZ130191AB
M5 - GSZ130191AC
M6 - GSZ130191AD
M7 - GSZ130241BD
M8 - GSZ130241CB
M9 - GSZ130251AA
M10 - GSZ130251AB
M11 - GSZ130251AC
M12 - GSZ130251BB
M13 - GSZ130301AG
M14 - GSZ130301AH
M15 - GSZ130311AA
M16 - GSZ130311AB
M17 - GSZ130311AC
M18 - GSZ130311AD
M19 - GSZ130361BD
M20 - GSZ130363AD
M21 - GSZ130371AA
M22 - GSZ130371AB
M23 - GSZ130421AF
M24 - GSZ130421AG
M25 - GSZ130481AF
M26 - GSZ130481AG
M27 - GSZ130483AD
M28 - GSZ130483AE
M29 - GSZ130484AC
M30 - GSZ130484AD

Compressor and Tubing Assembly



Compressor and Tubing Assembly

Ref. Part No:	No:	Description:	Ref. Part No:	No:	Description:
<i>Image 1:</i>			<i>Image 1:</i>		
21	0151R00167	BASE VALVE 3/8"	161	0130M00089	HIGH PRESSURE SWITCH (M1, M2, M3, M4, M5, M6, M7, M8, M9, M10, M11, M12, M13, M14, M15, M16, M17, M18, M19, M20, M21, M22, M23, M24, M25, M26, M27)
31	B1225020	SOLENOID COIL CORD W/1/4" TERMINAL (M1, M3, M4, M8, M9, M12, M13, M15, M16, M19, M20, M21, M22, M23, M24, M25)	161	0130R00056	HIGH PRESSURE SWITCH (M20, M28, M29, M30)
31	0130M00083	SOLENOID HARNESS W/1/4" TERM (M2, M5, M6, M7, M10, M11, M14, M17, M18, M26, M27, M28, M29, M30)	191	B1787000	VALVE CORE
41	0121R00005PDG	BASE PAN 26" (M1, M2, M3, M4, M5, M6, M7, M8, M9, M10, M11, M12, M13, M14, M15, M16, M17, M18, M19, M20, M21, M22, M23, M24, M25, M26, M27, M28, M29, M30)	211	0130M00106	DISC THERMOSTAT CRNKCS HTR SW (M1, M2, M3, M4, M5, M6, M7, M8, M9, M10, M11, M12, M13, M14, M15, M16, M17, M18, M19, M21, M22, M23, M24, M25, M26, M27)
41	0121R00006PDG	BASE PAN 29" (M19, M20, M21, M22, M23, M24, M25, M26, M27, M28, M29, M30)	221	B1226206	ACCUMULATOR (M1, M2, M3, M4, M5, M6, M7, M8, M9, M10, M11, M12, M13, M14, M15, M16, M17, M18, M20)
51	ZP16K5EPFV130	COMPRESSOR 15500, 208/230/60/1 (M1, M2, M3, M4, M5, M6)	221	0151R00004P	ACCUMULATOR .750 (M19, M21, M22)
51	ZP20K5EPFV130	COMPRESSOR 20000, 208/230/60/1 (M8, M12)	221	B1226207	ACCUMULATOR .875 (M23, M24, M25, M26, M27, M28, M29, M30)
51	ZP21K5EPFV130	COMPRESSOR 21300, 208/230/60/1 (M7, M9, M10, M11)	251	0163R00004	HEATER CRANKCASE, 460V, 40W (M30)
51	ZP25K5EPFV130	COMPRESSOR 25200, 208/230/60/1 (M13, M14, M15, M16, M17, M18)	251	0163R00003	HEATER, CRANKCASE 230V 40W (M28, M29)
51	ZP31K5EPFV130	COMPRESSOR 31100, 208/230/60/1 (M19, M21, M22)	251	0163R00002	HEATER, CRANKCASE 230V, 40W (M20)
51	ZP31K5ETF5130	COMPRESSOR 31200, 200/230/60/3 (M20)	251	0163R00006	HEATER, CRANKCASE 230V, 40W (M1, M2, M3, M4, M5, M6, M7, M8, M9, M10, M11, M12, M13, M14, M15, M16, M17, M18, M19, M21, M22)
51	ZP34K5EPFV130	COMPRESSOR 34500, 208/230/60/1 (M23, M24, M25)	251	0163R00007	HEATER, CRANKCASE 230V, 40W (M23, M24, M25, M26, M27)
51	ZP39K5ETF5130	COMPRESSOR 39000, 200/230/60/3 (M28, M29)	271	M0221641	TF SHOULDER SCREW (QTY 4)
51	ZP39K5EPFV130	COMPRESSOR 39000, 208/230/60/1 (M26, M27)	281	B1339533	COMPRESSOR GROMMET (QTY 8)
51	ZP39K5ETFD130	COMPRESSOR 39000, 460/60/3 (M30)	NS	20270812	COMPENSATOR (M19, M21, M22)
61	B1225022	SOLENOID COIL	NS	20270815	COMPENSATOR (M7, M8, M9, M10, M11, M12)
71	B1219301	MUFFLER 1/2 X 1/2	NS	0130M00083	REVERSING VALVE HARNESS (M2, M5, M6, M7, M10, M11, M14, M17, M18, M26, M27, M28, M29, M30)
91	0151R00079	BASE VALVE 3/4" (M1, M2, M3, M4, M5, M6, M7, M8, M9, M10, M11, M12, M13, M14, M15, M16, M17, M18, M19, M20, M21, M22)			
91	0151R00080	BASE VALVE 7/8" (M23, M24, M25, M26, M27, M28, M29, M30)			
111	0159R00000P	COMPRESSOR SCROLL HARNESS (M1, M2, M3, M4, M5, M6, M7, M8, M9, M10, M11, M12, M13, M14, M15, M16, M17, M18)			
111	0159R00001P	COMPRESSOR SCROLL HARNESS (M19, M21, M22, M23, M24, M25, M26, M27)			
111	0159R00008	COMPRESSOR SCROLL HARNESS (M20, M28, M29, M30)			
121	0151M00020	REVERSING VALVE (M26, M28, M30)			
121	0151R00067	REVERSING VALVE (M7, M10, M11)			
121	0151R00068	REVERSING VALVE (M2, M5, M6, M14, M17, M18)			
121	0151R00070	REVERSING VALVE (M27, M29)			
121	B1227314	REVERSING VALVE (M8, M9, M12)			
121	B1227314	REVERSING VALVE (M8, M9, M12)			
121	B1227315	REVERSING VALVE (M1, M3, M4, M13, M15, M16)			
121	B1227316	REVERSING VALVE (M19, M20, M21, M22)			
121	B1227317	REVERSING VALVE (M23, M24, M25)			
131	20485201	BI-FLOW FILTER DRIER (M3, M4, M5, M6, M9, M10, M11, M12, M15, M16, M17, M18, M21, M22)			
151	0130R00001	CUT-OUT SWITCH, LOW PRESSURE (M20, M28, M29, M30)			
151	0130M00088	LOW PRESSURE SWITCH (M1, M2, M3, M4, M5, M6, M7, M8, M9, M10, M11, M12, M13, M14, M15, M16, M17, M18, M19, M21, M22, M23, M24, M25, M26, M27)			

Compressor and Tubing Assembly

Ref. Part

No: No:

Description:

Ref. Part

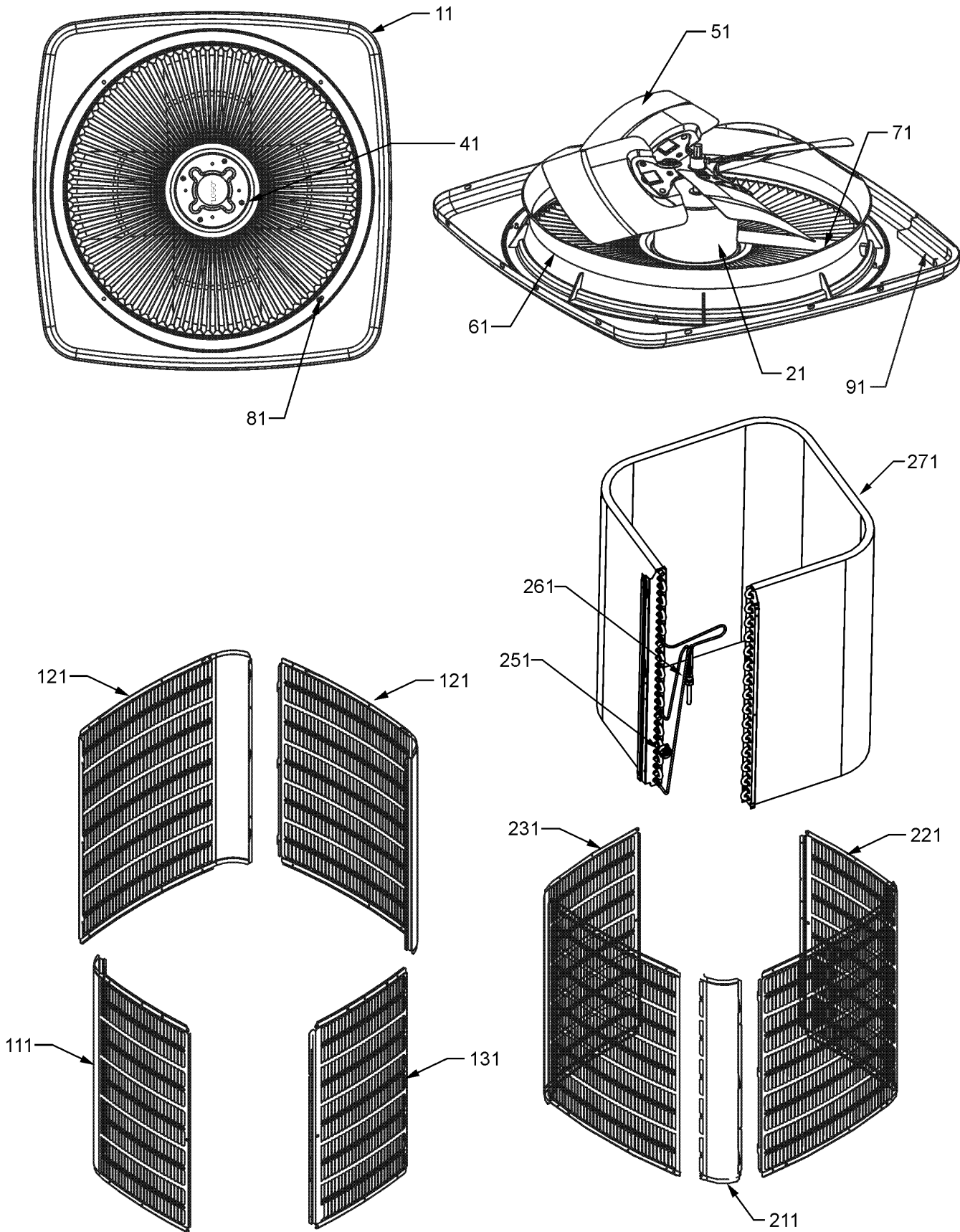
No: No:

Description:

Expanded Model Nomenclature

M1 - GSZ130181AF
M2 - GSZ130181AG
M3 - GSZ130191AA
M4 - GSZ130191AB
M5 - GSZ130191AC
M6 - GSZ130191AD
M7 - GSZ130241BD
M8 - GSZ130241CB
M9 - GSZ130251AA
M10 - GSZ130251AB
M11 - GSZ130251AC
M12 - GSZ130251BB
M13 - GSZ130301AG
M14 - GSZ130301AH
M15 - GSZ130311AA
M16 - GSZ130311AB
M17 - GSZ130311AC
M18 - GSZ130311AD
M19 - GSZ130361BD
M20 - GSZ130363AD
M21 - GSZ130371AA
M22 - GSZ130371AB
M23 - GSZ130421AF
M24 - GSZ130421AG
M25 - GSZ130481AF
M26 - GSZ130481AG
M27 - GSZ130483AD
M28 - GSZ130483AE
M29 - GSZ130484AC
M30 - GSZ130484AD

Cabinet Top and Side Panel Assy



Cabinet Top and Side Panel Assy

Ref. Part No:	Description:	Ref. Part No:	Description:
Image 1:		Image 1:	
11	0121R00008PDG PANEL, TOP 26" PNT (M1, M2, M3, M4, M5, M6, M7, M8, M9, M10, M11, M12, M13, M14, M15, M16, M17, M18)	231	0121R00338PDGLS Louver Panel, PDG 26" _28.49 (M1, M2, M4, M5, M6, M13, M14, M16, M17, M18)
11	0121R00010PDG PANEL, TOP 29" PNT (M19, M20, M21, M22, M23, M24, M25, M26, M27, M28, M29, M30)	231	0121R00337PDGLS Louver Panel, PDG 26" _28.73 (M7, M8, M9, M10, M11, M12)
21	0131M00018P COND MOTOR 1/4 HP, 1 SP, 6 PL (M19, M20, M21, M22, M23, M24, M25, M26, M27, M28, M29)	231	0121R00342PDGLS Louver Panel, PDG 29" _28.73 (M19, M22)
21	0131M00022 COND MOTOR 1/4 HP, 8 PL, 460V (M30)	231	0121R00343PDGLS Louver Panel, PDG 29" _30.49 (M25, M26, M27, M28, M29, M30)
21	0131M000800 COND MOTOR, 1/8HP, 1SP, 6PL, AL (M6, M11, M18)	231	0121R00345PDGLS Louver Panel, PDG 29" _34.49 (M20, M24)
21	0131M00294 COND MOTOR, 1/8HP, ISP, 6PL (M3, M4, M5, M7, M9, M10, M15, M16, M17)	251	0130M00098 CONTROL, DEFROST (M7, M8, M9, M10, M11, M12, M19, M21, M22)
21	0131M00266 COND MOTOR 1/8 HP 8 PL PSC (M1, M2, M8, M12, M13, M14)	251	0130M00105 CONTROL, DEFROST (M1, M2, M3, M4, M5, M6, M13, M14, M15, M16, M17, M18, M20, M23, M24, M25, M26, M27, M28, M29, M30)
41	0163M00006P ACORN NUT 5/16 HEX BLACK (QTY 4)	261	B1789839 FLOW CHECK PISTON KIT (M3, M4, M5, M6)
51	0150M00012 BLADE-FAN 20" CCW (M8, M12, M13, M14)	261	B1789872 FLOW CHECK PISTON KIT (M23, M24, M25)
51	0150M00018 FAN BLADE 20" (M1, M2)	261	B1789849 FLOW CHECK PISTON KIT .049 (M15, M16, M17, M18)
51	B1086750 FAN BLADE 22", 3 BLADE, 24° (M26, M27, M28, M29)	261	B1789851 FLOW CHECK PISTON KIT .051 (M1, M2)
51	B1086765 FAN BLADE TYPE 3 (M30)	261	B1789855 FLOW CHECK PISTON KIT .055 (M21, M22)
51	0150M00031 FAN BLADE, 20", 3 BLADE, 21DEG (M3, M4, M5, M6)	261	B1789857 FLOW CHECK PISTON KIT .057 (M7, M8)
51	0150M00033 FAN BLADE, 20", 3 BLADE, 24DEG (M7, M9, M10, M11, M15, M16, M17, M18)	261	B1789865 FLOW CHECK PISTON KIT .065 (M13, M14)
51	0150M00022 FAN BLADE, 22" (M19, M20, M21, M22, M23, M24, M25)	261	B1789868 FLOW CHECK PISTON KIT .068 (M20)
61	0161L00000 VENTURI RING 22" (M19, M20, M21, M22, M23, M24, M25, M26, M27, M28, M29, M30)	261	B1789871 FLOW CHECK PISTON KIT .071 (M19)
71	0161R00001P CONDUIT (M1, M2, M3, M4, M5, M6, M7, M8, M9, M10, M11, M12, M13, M14, M15, M16, M17, M18)	261	B1789878 FLOW CHECK PISTON KIT .078 (M26, M27, M28, M29, M30)
71	0161R00002P CONDUIT (M19, M20, M21, M22, M23, M24, M25, M26, M27, M28, M29, M30)	261	B1789843 FLOW CHECK PISTON KIT. (M9, M10, M11, M12)
91	0154R00006 GASKET, CONTROL PANEL	271	0201R00150 ASSY, COIL TBG 30XS 3CR 1CTC (M1, M2)
111	0121R00015PDGB LOUVERED SIDE PANEL [LT OF CNTL PNL] (M3, M15)	271	0201R00154 ASSY, COIL TBG 32XM 6CR 1CTC (M26, M27, M28, M29, M30)
111	0121R00027PDGB LOUVERED SIDE PANEL [LT OF CNTL PNL] (M23)	271	0201R00151 ASSY, COIL TBG 36XM 4CR 1CTC (M20)
111	0121R00125PDGB LOUVERED SIDE PANEL [LT OF CNTL PNL] (M21)	271	0201R00152 ASSY, COIL TBG 36XM 4CR 1CTC (M23, M24, M25)
121	0121R00018PDGB LOUVERED SIDE PANEL (M3, M15)	271	0201R00285 COIL TUBING ASSY (M19)
121	0121R00033PDGB LOUVERED SIDE PANEL (M23)	271	0201R00317 COIL TUBING ASSY (M7, M8)
121	0121R00132PDGB LOUVERED SIDE PANEL (M21)	271	0201R00325 COIL TUBING ASSY (M13, M14)
131	0121R00021PDG LOUVERED SIDE PANEL [RT OF CNTL PNL] (M3, M15)	271	0201R00416 COIL TUBING ASSY (M3, M4, M5, M6)
131	0121R00039PDG LOUVERED SIDE PANEL [RT OF CNTL PNL] (M23)	271	0201R00417 COIL TUBING ASSY (M9, M10, M11)
131	0121R00139PDG LOUVERED SIDE PANEL [RT OF CNTL PNL] (M21)	271	0201R00419 COIL TUBING ASSY (M15, M16, M17, M18)
211	0121R00349PDG Louver Post, PDG 28.49 (M1, M2, M4, M5, M6, M13, M14, M16, M17, M18)	271	0201R00420 COIL TUBING ASSY (M21, M22)
211	0121R00350PDG Louver Post, PDG 28.73 (M7, M8, M9, M10, M11, M12, M19, M22)	271	0201R00431 COIL TUBING ASSY (M12)
211	0121R00351PDG Louver Post, PDG 30.49 (M26, M27, M28, M29, M30)		
211	0121R00353PDG Louver Post, PDG 34.49 (M20, M24, M25)		
221	0121R00338PDGRS Louver Panel, PDG 26" _28.49 (M1, M2, M4, M5, M6, M13, M14, M16, M17, M18)		
221	0121R00337PDGRS Louver Panel, PDG 26" _28.73 (M7, M8, M9, M10, M11, M12)		
221	0121R00342PDGRS Louver Panel, PDG 29" _28.73 (M19, M22)		
221	0121R00343PDGRS Louver Panel, PDG 29" _30.49 (M25, M26, M27, M28, M29, M30)		
221	0121R00345PDGRS Louver Panel, PDG 29" _34.49 (M20, M24)		

Cabinet Top and Side Panel Assy

Ref. Part

No: No:

Description:

Ref. Part

No: No:

Description:

Expanded Model Nomenclature

M1 - GSZ130181AF
M2 - GSZ130181AG
M3 - GSZ130191AA
M4 - GSZ130191AB
M5 - GSZ130191AC
M6 - GSZ130191AD
M7 - GSZ130241BD
M8 - GSZ130241CB
M9 - GSZ130251AA
M10 - GSZ130251AB
M11 - GSZ130251AC
M12 - GSZ130251BB
M13 - GSZ130301AG
M14 - GSZ130301AH
M15 - GSZ130311AA
M16 - GSZ130311AB
M17 - GSZ130311AC
M18 - GSZ130311AD
M19 - GSZ130361BD
M20 - GSZ130363AD
M21 - GSZ130371AA
M22 - GSZ130371AB
M23 - GSZ130421AF
M24 - GSZ130421AG
M25 - GSZ130481AF
M26 - GSZ130481AG
M27 - GSZ130483AD
M28 - GSZ130483AE
M29 - GSZ130484AC
M30 - GSZ130484AD