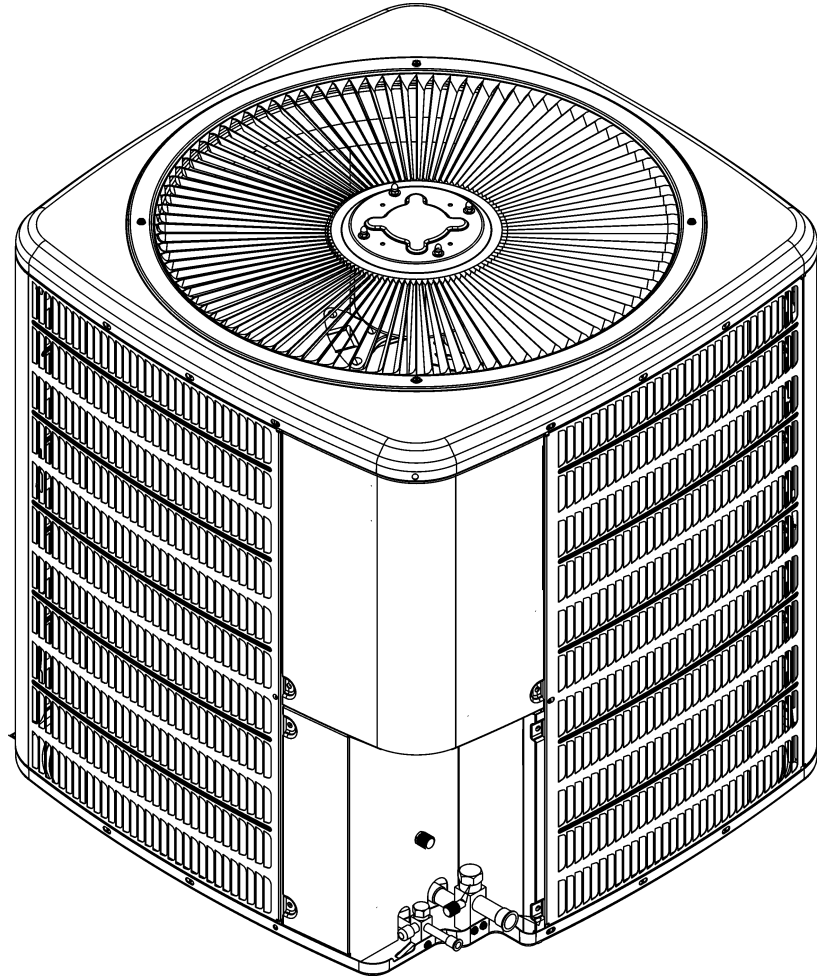


# REPAIR PARTS

---

## GSZ13 Remote Heat Pump (EXPORT)

GSZ130242AA  
GSZ130362AA  
GSZ130365AA  
GSZ130485AA  
GSZ130605AA



This manual is to be used by qualified technicians only.

This manual replaces RP-G4003.

© 2014 Goodman Manufacturing Company, L.P. ♦ 5151 San Felipe St., Suite 500 ♦ Houston, TX 77056

# Important Information

---

## Index

Functional Parts List .....	3
Illustration and Parts .....	4 - 9

*Views shown are for parts illustrations only, not servicing procedures*

Rev A: Addition of 2 Ton models (50 Hz Exports)

### Text Codes:

AR - As Required

NA - Not Available

NS - Not Shown

00000000 - See Note

QTY - Quantity Example (QTY 3) (If Quantity not shown, Quantity = 1)

M - Model Example (M1) (If M Code not shown, then part is used on all Models)

### Expanded Model Nomenclature:

Example M1 - Model#1 M2 - Model#2 M3 - Model#3
---

Goodman Manufacturing Company, L.P. is not responsible for personal injury or property damage resulting from improper service. Review all service information before beginning repairs.

Warranty service must be performed by an authorized technician, using authorized factory parts. If service is required after the warranty expires, Goodman Manufacturing Company, L.P. also recommends contacting an authorized technician and using authorized factory parts.

Goodman Manufacturing Company, L.P. reserves the right to discontinue, or change at any time, specifications or designs without notice or without incurring obligations.

For assistance within the U.S.A. contact:  
Consumer Affairs Department  
Goodman Manufacturing Company, L.P.  
7401 Security Way  
Houston, Texas 77040  
877-254-4729-Telephone  
713-863-2382-Facsimile

For assistance outside the U.S.A. contact:  
International Division  
Goodman Manufacturing Company, L.P.  
7401 Security Way  
Houston, Texas 77040  
713-861-2500-Telephone  
713-863-2382-Facsimile

# Functional Parts

## Part

**No:**            **Description:**

---

B12825171	3/8" SERVICE VALVE
0151R00004P	ACCUMULATOR .750 (M2, M3)
B1226207	ACCUMULATOR .875 (M4, M5)
CAP050600440CT	CAP, 5/60 MFD/440V/DUAL RD (M2)
CAP050000370LA	CAPACITOR 5/370V (M3, M4, M5)
ZP25K5EPFJ130	COMP, 20400, 220/240/50/1 (M1)
ZP36K5ETFD130	COMP, 29300, 380/420/50/3 (M3)
ZP49K5ETFD130	COMP, 40700, 380/420/50/3 (M4)
ZP36K5EPFJ130	COMPRESSOR (M2)
ZP57K5ETFD130	COMPRESSOR (M5)
B13400249	COND MOTOR 1/3 HP, 460V (M5)
B13400500	COND MOTOR 1/4 HP, 220-240V 50HZ (M1, M2)
B13400269	COND MOTOR 380/460 50/60 CYCLE (M3, M4)
CONT1P025024V	CONTACTOR 25 AMP, 1P, 24V (M1, M2)
CONT3P025024V	CONTACTOR 25 AMP, 3P, 24V (M3, M4, M5)
0130M00105	CONTROL, DEFROST (M4, M5)
0130M00098	CONTROL, DEFROST (M1, M2, M3)
PCBDM133	DEFROST CONTROL BOARD
0130M00106	DISC THERMOSTAT CRNKCS HTR SW
B1086750	FAN BLADE 22", 3 BLADE, 24° (M4)
0150M00013	FAN BLADE 26" CCW (M5)
0150M00033	FAN BLADE, 20", 3 BLADE, 24° (M1)
0150M00022	FAN BLADE, 22" (M2, M3)
0163R00007	HEATER, CRANKCASE 230V, 40W (M2, M3, M4, M5)
0130M00089	HIGH PRESSURE SWITCH (M4, M5)
0130M00088	LOW PRESSURE SWITCH
0151R00067	REVERSING VALVE (M1)
0151R00070	REVERSING VALVE (M4, M5)
0151R00069	REVERSING VALVE (M2, M3)
0151R00032	VALVE, BASE 3/4" OPEN LEFT (M1, M2, M3)
0151R00033	VALVE, SERVICE 7/8" OPEN LEFT (M4, M5)

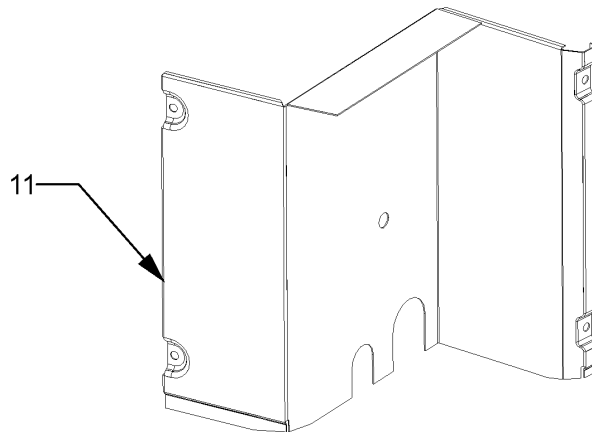
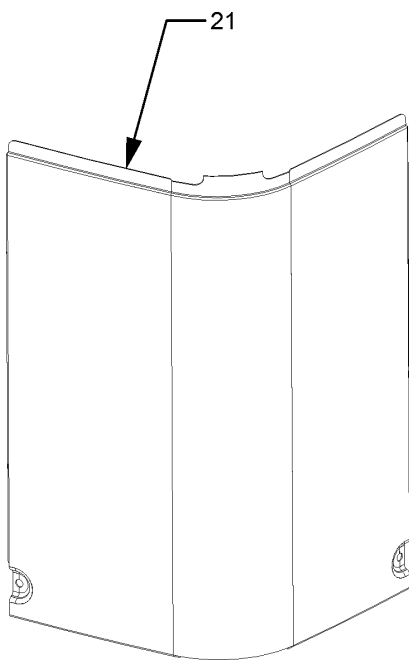
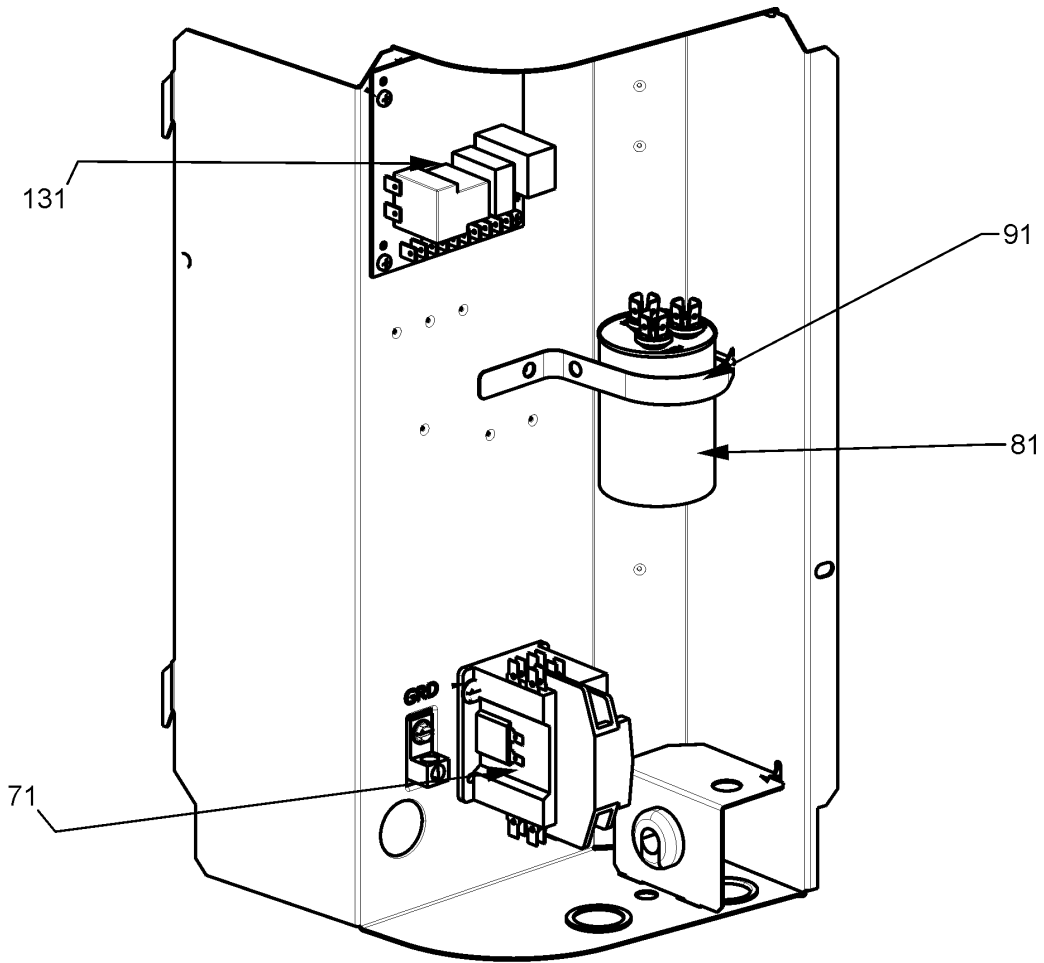
## SPECIAL PARTS

0161R00009P    NAMEPLATE

## Expanded Model Nomenclature

M1 - GSZ130242AA
M2 - GSZ130362AA
M3 - GSZ130365AA
M4 - GSZ130485AA
M5 - GSZ130605AA

# Control Cover / Control Box



# Control Cover / Control Box

Ref. Part No: No:	Description:	Ref. Part No: No:	Description:
-------------------	--------------	-------------------	--------------

---

**Image 1:**

11	0121R00321PDG	PANEL, LOWER ACCESS PNT (M4, M5)
11	0121R00322PDG	PANEL, LOWER ACCESS PNT (M1, M2, M3)
21	0121R00053PDG	CONTROL COVER
71	CONT1P025024V	CONTACTOR 25 AMP, 1P, 24V (M1, M2)
71	CONT3P025024V	CONTACTOR 25 AMP, 3P, 24V (M3, M4, M5)
81	CAP050600440CT	CAP, 5/60 MFD/440V/DUAL RD (M2)
81	CAP050000370LA	CAPACITOR 5/370V (M3, M4, M5)
91	4400065	CAPACITOR STRAP
131	PCBDM133	DEFROST CONTROL BOARD
NS	0161R00009P	NAMEPLATE

**Expanded Model Nomenclature**

M1 - GSZ130242AA
M2 - GSZ130362AA
M3 - GSZ130365AA
M4 - GSZ130485AA
M5 - GSZ130605AA

# Compressor / Tubing Assembly/Condenser

Image 1

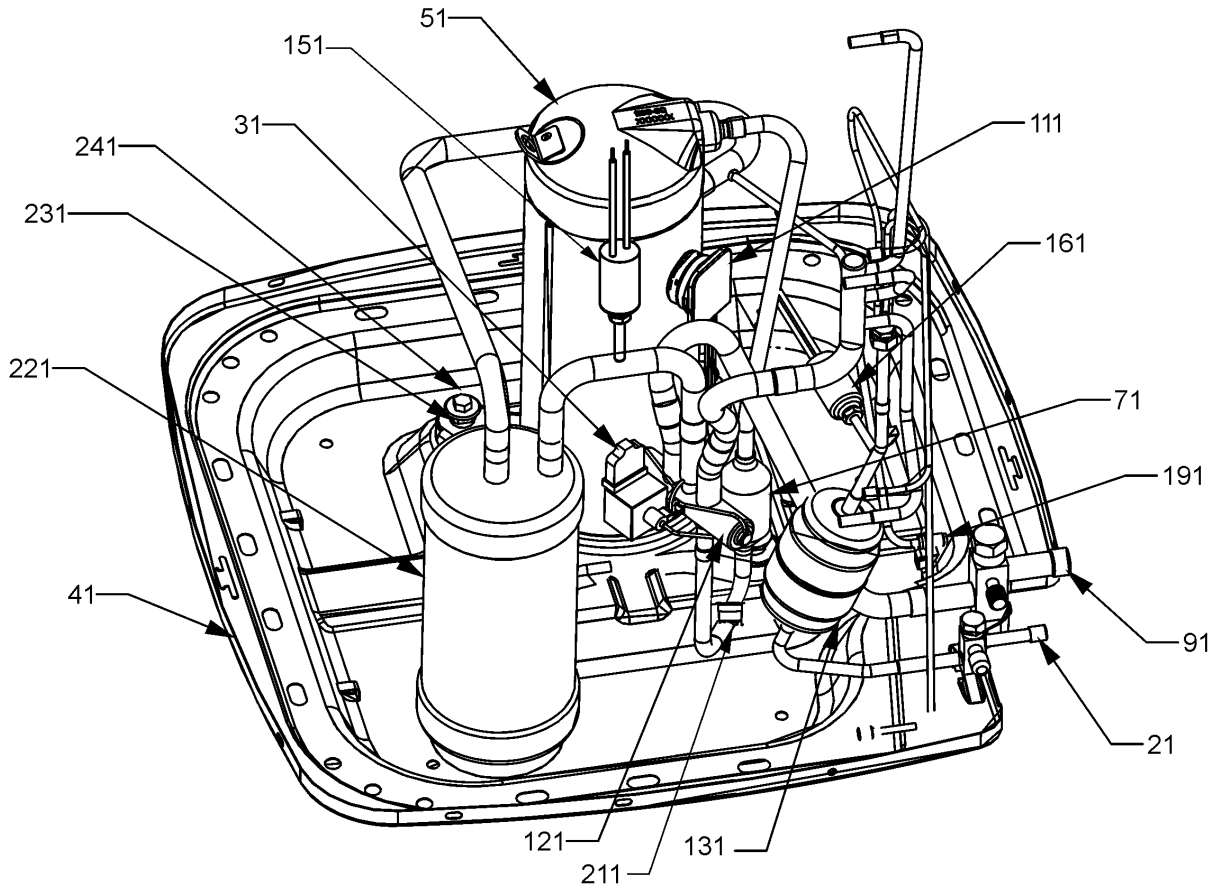
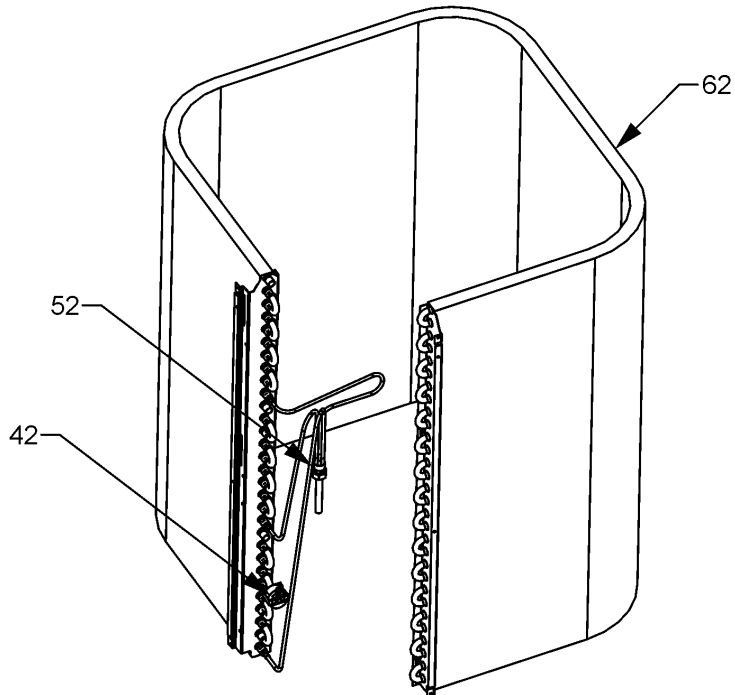


Image 2



# Compressor / Tubing Assembly/Condenser

Ref. Part No: No:	Description:	Ref. Part No: No:	Description:
-------------------	--------------	-------------------	--------------

**Image 1:**

21	B12825171	3/8" SERVICE VALVE
31	B1225022	SOLENOID COIL
41	0121R00005PDG	BASE PAN 26" (M1)
41	0121R00006PDG	BASE PAN 29" (M2, M3, M4)
41	0121R00007PDG	BASE PAN 35" (M5)
51	ZP25K5EPFJ130	COMP, 20400, 220/240/50/1 (M1)
51	ZP36K5ETFD130	COMP, 29300, 380/420/50/3 (M3)
51	ZP49K5ETFD130	COMP, 40700, 380/420/50/3 (M4)
51	ZP36K5EPFJ130	COMPRESSOR (M2)
51	ZP57K5ETFD130	COMPRESSOR (M5)
71	B1219301	MUFFLER 1/2 X 1/2
91	0151R00032	VALVE, BASE 3/4" OPEN LEFT (M1, M2, M3)
91	0151R00033	VALVE, SERVICE 7/8" OPEN LEFT (M4, M5)
111	0159R00009	COMPRESSOR SCROLL HARNESS
121	0151R00067	REVERSING VALVE (M1)
121	0151R00069	REVERSING VALVE (M2, M3)
121	0151R00070	REVERSING VALVE (M4, M5)
131	20485201	BI-FLOW FILTER DRIER
151	0130M00088	LOW PRESSURE SWITCH
161	0130M00089	HIGH PRESSURE SWITCH (M4, M5)
211	0130M00106	DISC THERMOSTAT CRNKCS HTR SW
221	0151R00004P	ACCUMULATOR .750 (M2, M3)
221	B1226207	ACCUMULATOR .875 (M4, M5)
231	B1339533	COMPRESSOR GROMMET (QTY 4)
241	M0221641	TF SHOULDER SCREW (QTY 4)
NS	20270812	COMPENSATOR (M2, M3)
NS	20270815	COMPENSATOR (M1)
NS	0163R00007	HEATER, CRANKCASE 230V, 40W (M2, M3, M4, M5)
NS	0130M00083	REVERSING VALVE HARNESS
NS	B1787000	VALVE CORE

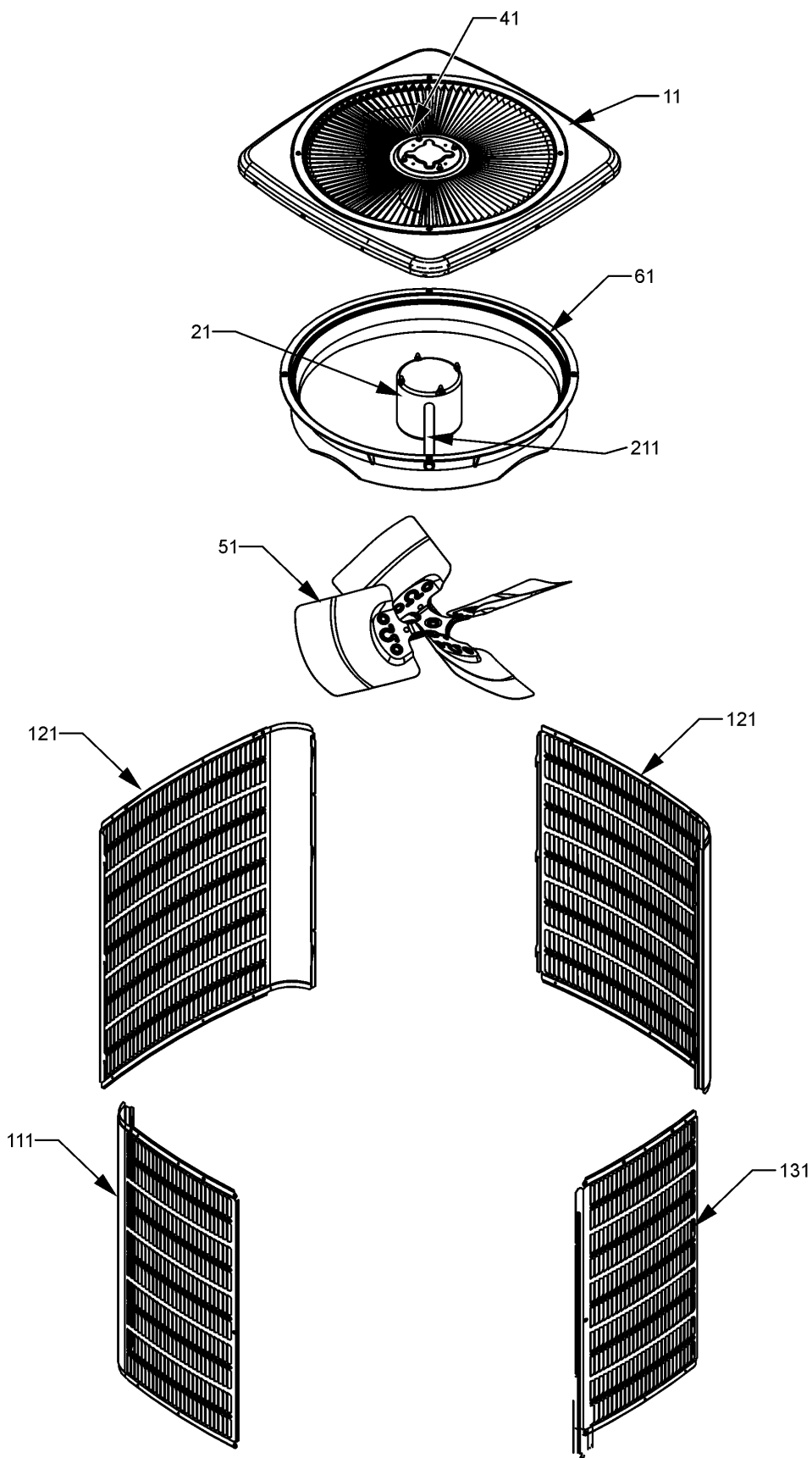
**Image 2:**

42	0130M00098	CONTROL, DEFROST (M1, M2, M3)
42	0130M00105	CONTROL, DEFROST (M4, M5)
52	B1789857	FLOW CHECK PISTON KIT .057 (M1)
52	B1789871	FLOW CHECK PISTON KIT .071 (M2, M3)
52	B1789878	FLOW CHECK PISTON KIT .078 (M4)
52	B1789888	FLOW CHECK PISTON KIT .088 (M5)
62	0201R00154	COIL TUBING ASSY (M4)
62	0201R00155	COIL TUBING ASSY (M5)
62	0201R00285	COIL TUBING ASSY (M2, M3)
62	0201R00317	COIL TUBING ASSY (M1)

**Expanded Model Nomenclature**

- |                  |
|------------------|
| M1 - GSZ130242AA |
| M2 - GSZ130362AA |
| M3 - GSZ130365AA |
| M4 - GSZ130485AA |
| M5 - GSZ130605AA |

# Cabinet Top / Side Panels



# Cabinet Top / Side Panels

Ref. Part No: No:	Description:	Ref. Part No: No:	Description:
-------------------	--------------	-------------------	--------------

**Image 1:**

11	0121R00008PDG	TOP PANEL 26" (M1)
11	0121R00010PDG	TOP PANEL 29" (M2, M3, M4)
11	0121R00269PDG	TOP PANEL 35" (M5)
21	B13400249	COND MOTOR 1/3 HP, 460V (M5)
21	B13400500	COND MOTOR 1/4 HP, 220-240V 50HZ (M1, M2)
21	B13400269	COND MOTOR 380/460 50/60 CYCLE (M3, M4)
41	0163M00006P	ACORN NUT 5/16 HEX BLACK (QTY 4)
51	B1086750	FAN BLADE 22", 3 BLADE, 24° (M4)
51	0150M00013	FAN BLADE 26" CCW (M5)
51	0150M00033	FAN BLADE, 20", 3 BLADE, 24° (M1)
51	0150M00022	FAN BLADE, 22" (M2, M3)
61	0161L00000	VENTURI RING 22" (M2, M3, M4)
61	0161R00007P	VENTURI RING 35" (M5)
111	0121R00025PDGB	LOUVERED SIDE PANEL [LT OF CNTL PNL] (M4)
111	0121R00042PDGB	LOUVERED SIDE PANEL [LT OF CNTL PNL] (M5)
111	0121R00125PDGB	LOUVERED SIDE PANEL [LT OF CNTL PNL] (M2, M3)
111	0121R00171PDGB	LOUVERED SIDE PANEL [LT OF CNTL PNL] (M1)
121	0121R00031PDGB	LOUVERED SIDE PANEL (M4)
121	0121R00046PDGB	LOUVERED SIDE PANEL (M5)
121	0121R00132PDGB	LOUVERED SIDE PANEL (M2, M3)
121	0121R00172PDGB	LOUVERED SIDE PANEL (M1)
131	0121R00139PDG	LOUVERED SIDE PANEL [RT OF CNTL PNL] (M2, M3)
131	0121R00037PDG	LOUVERED SIDE PANEL [RT OF CNTL PNL] (M4)
131	0121R00050PDG	LOUVERED SIDE PANEL [RT OF CNTL PNL] (M5)
131	0121R00173PDG	LOUVERED SIDE PANEL [RT OF CNTL PNL] (M1)
211	0161R00001P	CONDUIT (M1)
211	0161R00002P	CONDUIT (M2, M3, M4)
211	0161R00004P	CONDUIT (M5)

**Expanded Model Nomenclature**

M1 - GSZ130242AA
M2 - GSZ130362AA
M3 - GSZ130365AA
M4 - GSZ130485AA
M5 - GSZ130605AA