

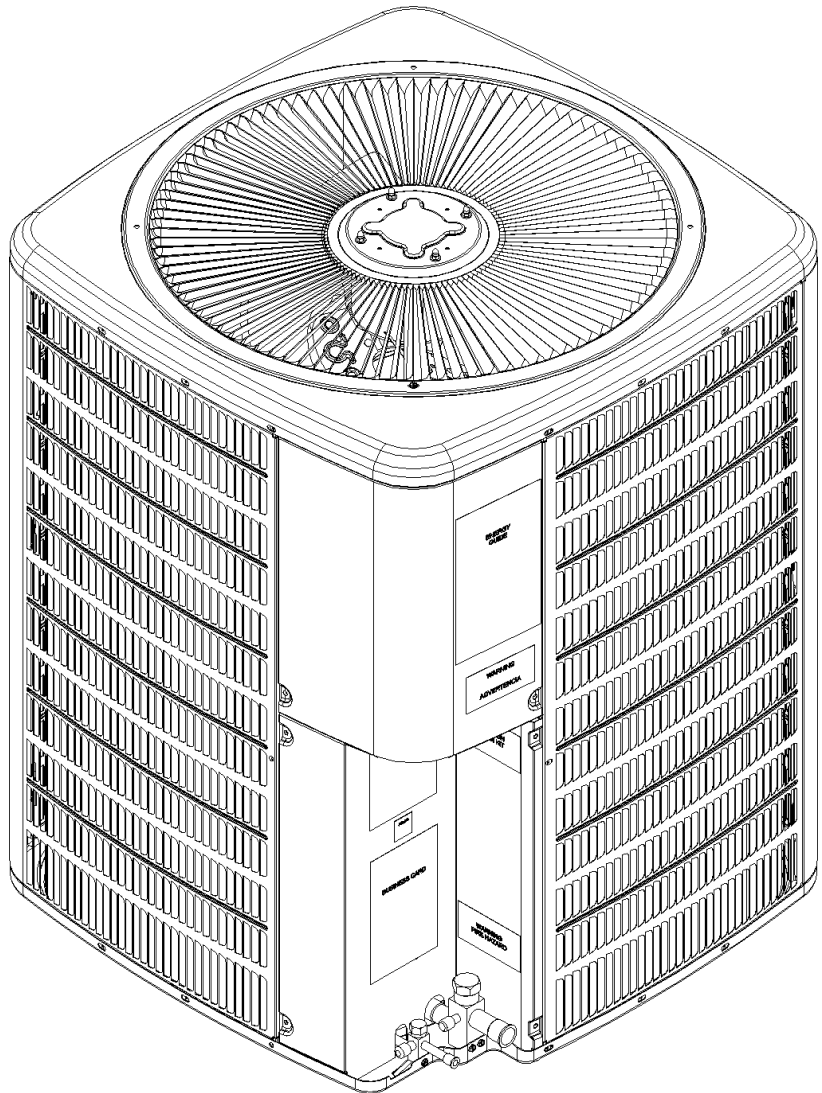


# REPAIR PARTS

## GSX13 3-Phase Remote Condensing Unit

GSX130363AD

GSX130363AE



This manual is to be used by qualified technicians only.

This manual replaces RP-G4014.

© 2016 - 2017 Goodman Manufacturing Company, L.P. ♦ 5151 San Felipe St., Suite 500 ♦ Houston, TX 77056

# Important Information

---

## Index

Functional Parts List .....	3
Illustration and Parts .....	4 - 9

*Views shown are for parts illustrations only, not servicing procedures*

### Text Codes:

AR - As Required

NA - Not Available

NS - Not Shown

00000000 - See Note

QTY - Quantity Example (QTY 3) (If Quantity not shown, Quantity = 1)

M - Model Example (M1) (If M Code not shown, then part is used on all Models)

### Expanded Model Nomenclature:

Example M1 - Model#1 M2 - Model#2 M3 - Model#3
---

Goodman Manufacturing Company, L.P. is not responsible for personal injury or property damage resulting from improper service. Review all service information before beginning repairs.

Warranty service must be performed by an authorized technician, using authorized factory parts. If service is required after the warranty expires, Goodman Manufacturing Company, L.P. also recommends contacting an authorized technician and using authorized factory parts.

Goodman Manufacturing Company, L.P. reserves the right to discontinue, or change at any time, specifications or designs without notice or without incurring obligations.

For assistance within the U.S.A. contact:  
Homeowner Support  
Goodman Manufacturing Company, L.P.  
19001 Kermier Road  
Waller, Texas 77484  
877-254-4729-Telephone  
713-863-2382-Facsimile

For assistance outside the U.S.A. contact:  
International Division  
Goodman Manufacturing Company, L.P.  
19001 Kermier Road  
Waller, Texas 77484  
713-861-2500-Telephone  
713-863-2382-Facsimile

# Functional Parts

## Part

**No:**            **Description:**

---

0151R00078	BASE VALVE 3/8"
CAP050000370LA	CAPACITOR 5/370V
ZP31K5ETF5130	COMPRESSOR 31200, 200/230/60/3
CONT3P025024V	CONTACTOR 25 AMP, 3P, 24V
B1086764	FAN BLADE TYPE 2
0131M00753	MOTOR, 1/6HP, 1SP, 8PL, AL

## SPECIAL PARTS

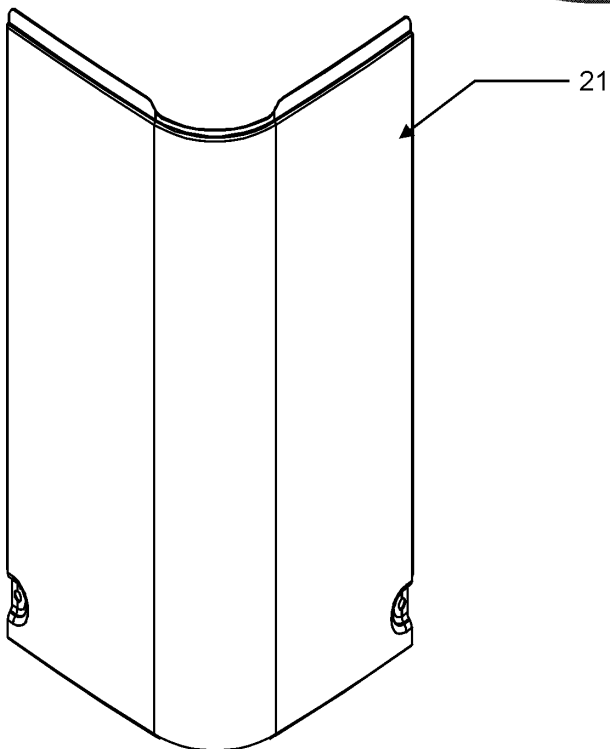
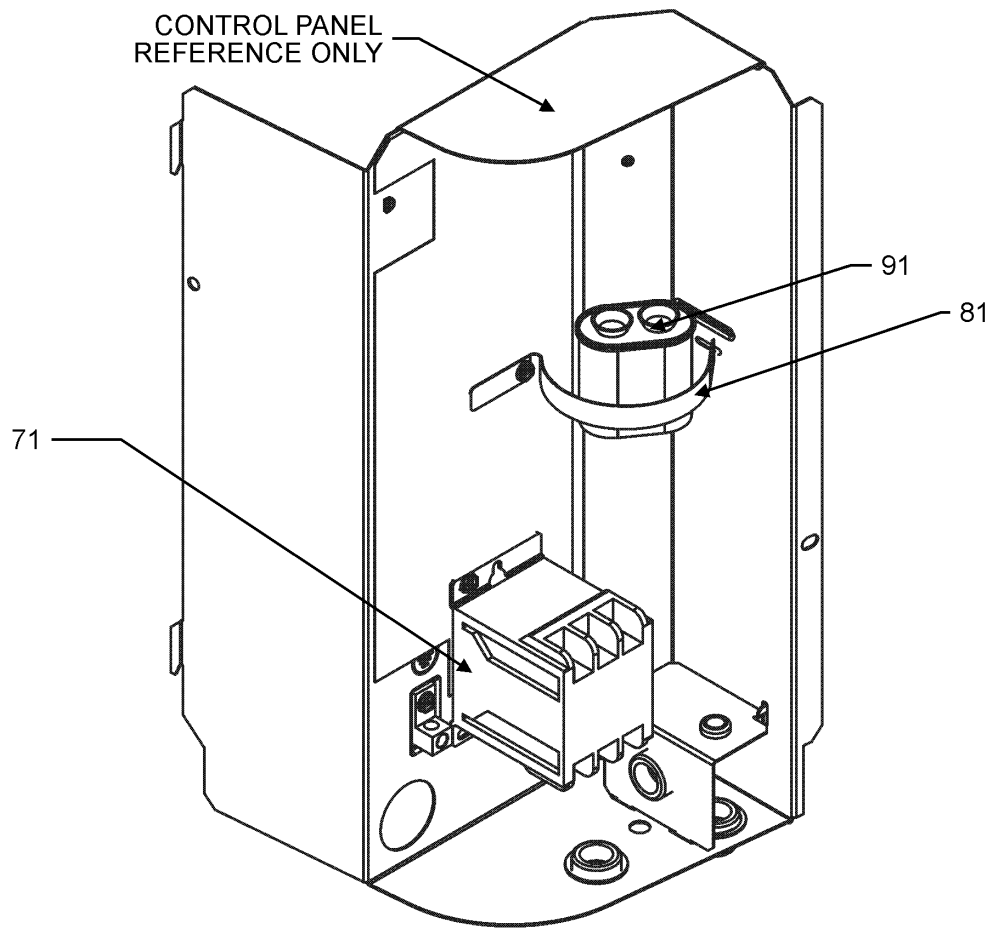
0161R00009P      NAMEPLATE

## Expanded Model Nomenclature

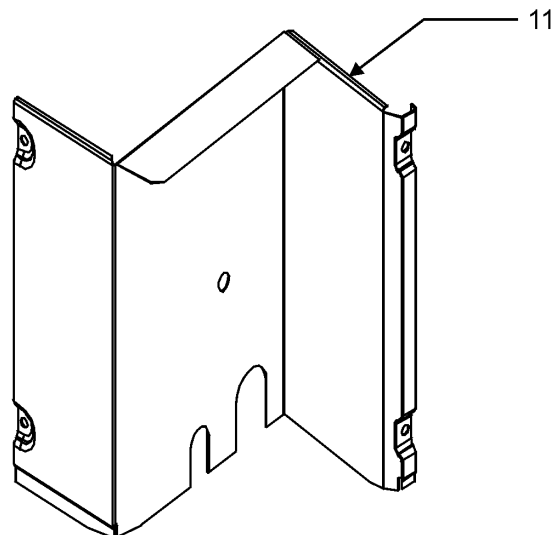
M1 - GSX130363AD

M2 - GSX130363AE

# Control Box Assembly



UPPER ACCESS PANEL



LOWER ACCESS PANEL

# Control Box Assembly

Ref. Part No: No:	Description:	Ref. Part No: No:	Description:
-------------------	--------------	-------------------	--------------

---

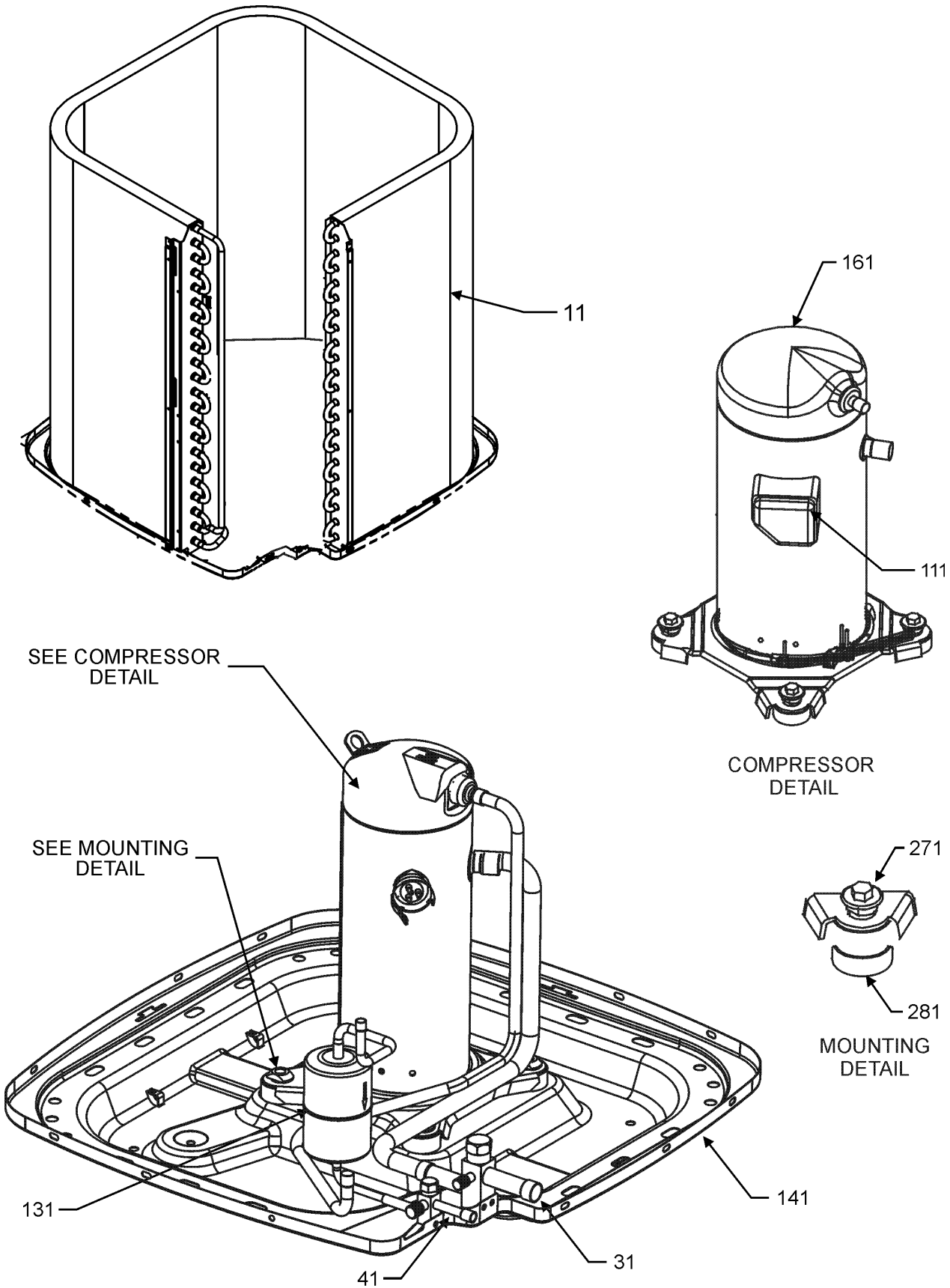
**Image 1:**

11	0121R00325PDG	PANEL, LOWER ACCESS PNT
21	0121R00053PDG	CONTROL COVER
71	CONT3P025024V	CONTACTOR 25 AMP, 3P, 24V
81	CAP050000370LA	CAPACITOR 5/370V
91	4400065	CAPACITOR STRAP
NS	0161R00009P	NAMEPLATE

**Expanded Model Nomenclature**

M1 - GSX130363AD
M2 - GSX130363AE

# Compressor and Tubing Assembly



# Compressor and Tubing Assembly

Ref. Part No:	No:	Description:	Ref. Part No:	No:	Description:
---------------	-----	--------------	---------------	-----	--------------

---

**Image 1:**

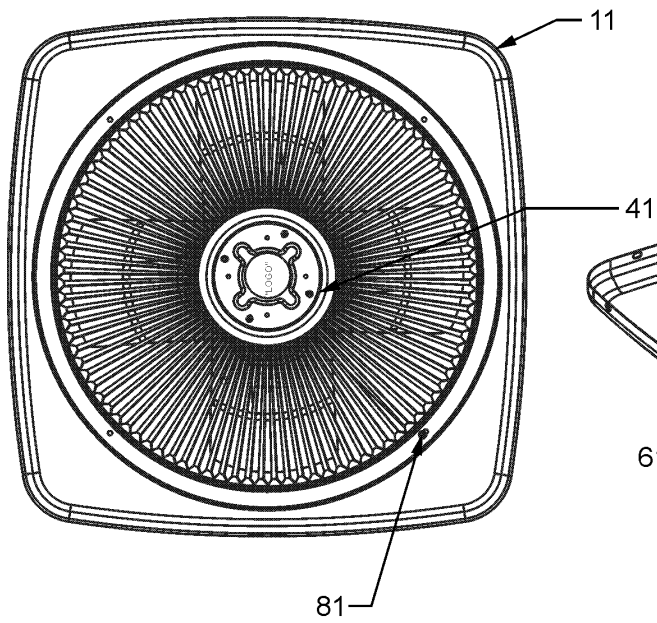
11	0201R00464	COIL TUBING ASSY
41	0151R00078	BASE VALVE 3/8"
111	0159R00008	HARNESS, COMP
131	0162R00009	FILTER DRIER
141	0121R00006PDG	BASE PAN 29"
161	ZP31K5ETF5130	COMPRESSOR 31200, 200/230/60/3
271	M0221641	TF SHOULDER SCREW (QTY 4)
281	B1339533	COMPRESSOR GROMMET (QTY 4)
NS	B1789870	FLOW CHECK PISTON KIT .070

**Expanded Model Nomenclature**

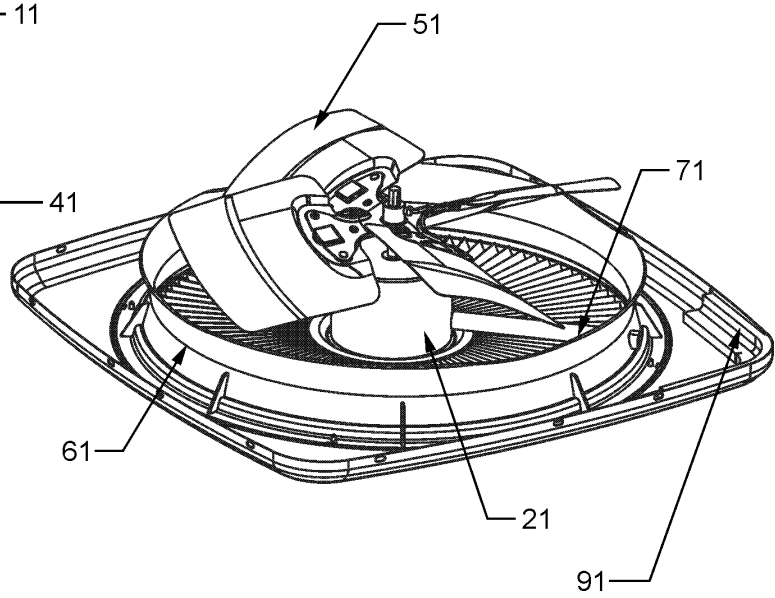
M1 - GSX130363AD
M2 - GSX130363AE

# Top and Louver Side Panel Assembly

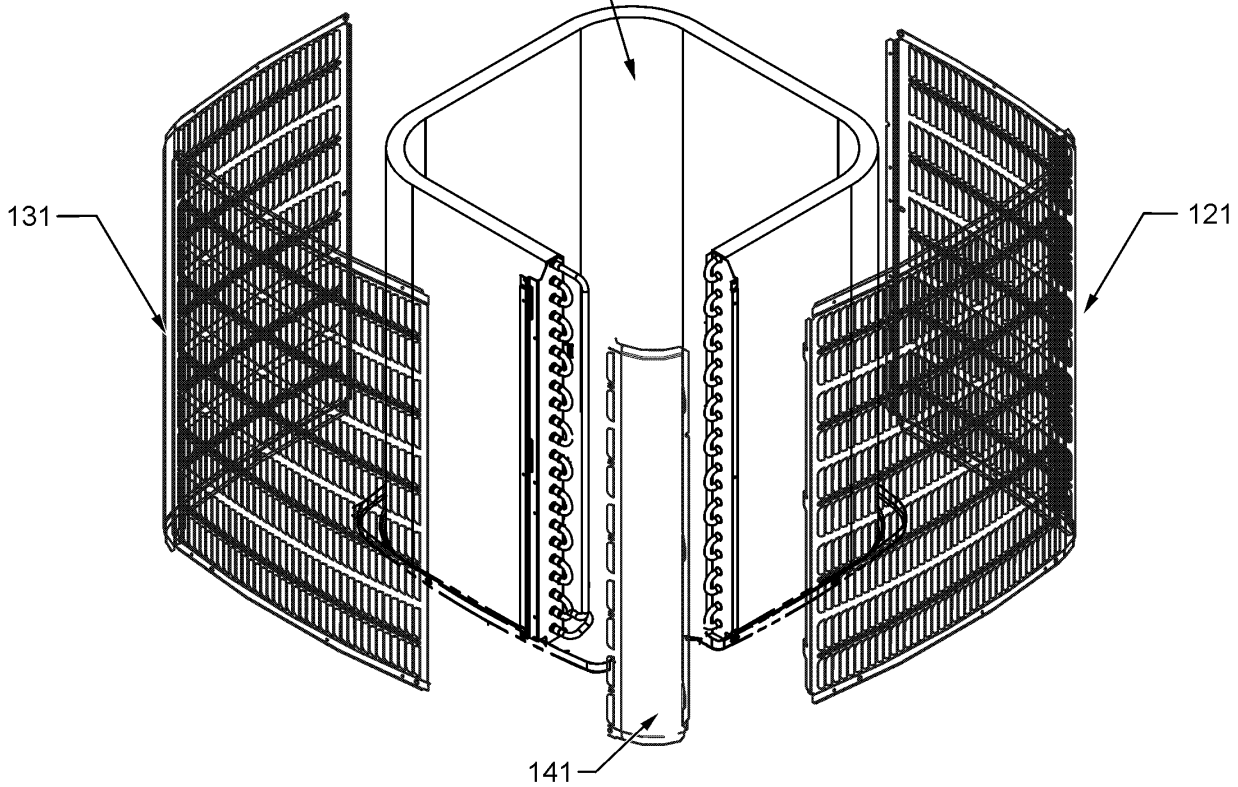
TOP VIEW



BOTTOM VIEW



CONDENSER COIL  
REFERENCE ONLY



# Top and Louver Side Panel Assembly

Ref. Part No: No:	Description:	Ref. Part No: No:	Description:
-------------------	--------------	-------------------	--------------

---

**Image 1:**

11	0121R00010PDG	TOP PANEL 29"
21	0131M00753	MOTOR, 1/6HP, 1SP, 8PL, AL
41	0163M00006P	ACORN NUT 5/16 HEX BLACK (QTY 4)
51	B1086764	FAN BLADE TYPE 2
61	0161L00000	VENTURI RING 22"
71	0161R00002P	CONDUIT
81	0163M00004	SCREW #10X3/4", BLACK (QTY 4)
91	0154R00006	GASKET, CONTROL PANEL
111	0121R00348PDG	Louver Post, PDG 24.95
121	0121R00340PDGRS	Louver Panel, PDG 29_24.95
131	0121R00340PDGLS	Louver Panel, PDG 29_24.95
NS	0163M00005P	WASHER, BLACK (.50 OD .218D) (QTY 4)

**Expanded Model Nomenclature**

M1 - GSX130363AD

M2 - GSX130363AE