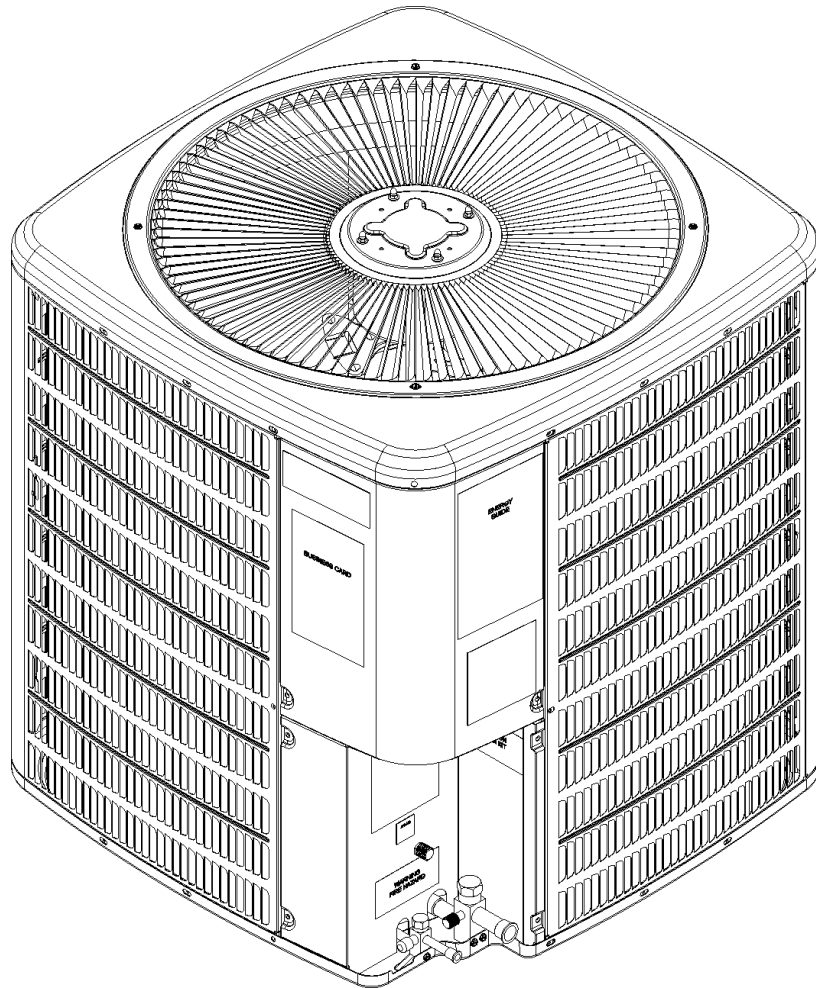


GSC14 Remote Condensing Units

GSC140181BA
GSC140241BA
GSC140301BA
GSC140361BA
GSC140421BA



This manual is to be used by qualified technicians only.

© 2009 Goodman Manufacturing Company, L.P. ♦ 5151 San Felipe, Suite 500 ♦ Houston, TX 77056

Important Information

Index

Functional Parts List	3
Illustration and Parts	4 - 9

Views shown are for parts illustrations only, not servicing procedures.

Text Codes:

AR - As Required

NA - Not Available

NS - Not Shown

00000000 - See Note

QTY - Quantity Example (QTY 3) (If Quantity not shown, Quantity = 1)

M - Model Example (M1) (If M Code not shown, then part is used on all Models)

Expanded Model Nomenclature:

Example M1 - Model#1 M2 - Model#2 M3 - Model#3

Goodman Manufacturing Company, L.P. is not responsible for personal injury or property damage resulting from improper service. Review all service information before beginning repairs.

Warranty service must be performed by an authorized technician, using authorized factory parts. If service is required after the warranty expires, Goodman Manufacturing Company, L.P. also recommends contacting an authorized technician and using authorized factory parts.

Goodman Manufacturing Company, L.P. reserves the right to discontinue, or change at any time, specifications or designs without notice or without incurring obligations.

For assistance within the U.S.A. contact:
Consumer Affairs Department
Goodman Manufacturing Company, L.P.
7401 Security Way
Houston, Texas 77040
877-254-4729-Telephone
713-863-2382-Facsimile

For assistance outside the U.S.A. contact:
International Division
Goodman Manufacturing Company, L.P.
7401 Security Way
Houston, Texas 77040
713-861-2500-Telephone
713-863-2382-Facsimile

Functional Parts

Part

No: Description:

CAP050300370RSS	CAPACITOR 5/30/370V [CONTROL BOX] (M1)
CAP050350440RSS	CAPACITOR 5/35/440V [CONTROL BOX] (M2, M3)
CAP050450370RSS	CAPACITOR 5/45/370V [CONTROL BOX] (M4)
CAP050500440RTS	CAPACITOR 5/50/440V [CONTROL BOX] (M5)
ZR16K4PFV930	COMPRESSOR 16500, 208/230/60/1 (M1)
ZR22K4PFV930	COMPRESSOR 22000, 208/230/60/1 (M2)
ZR24K4PFV930	COMPRESSOR 24000, 208/230/60/1 (M3)
ZR28K3PFV930	COMPRESSOR 28500, 208/230/60/1 (M4)
ZR34K3PFV930	COMPRESSOR 34400, 208/230/60/1 (M5)
0131M00019PS	COND MOTOR 1/12 HP, 1 SP, 8 PL (M1)
0131M00014PS	COND MOTOR 1/4 HP, 1 SP, 8 PL (M5)
0131M00060S	COND MOTOR 1/6 HP, 1 SP, 8 PL (M2, M3, M4)
CONT2P025024VS	CONTACTOR 25 AMP, 2P, 24V

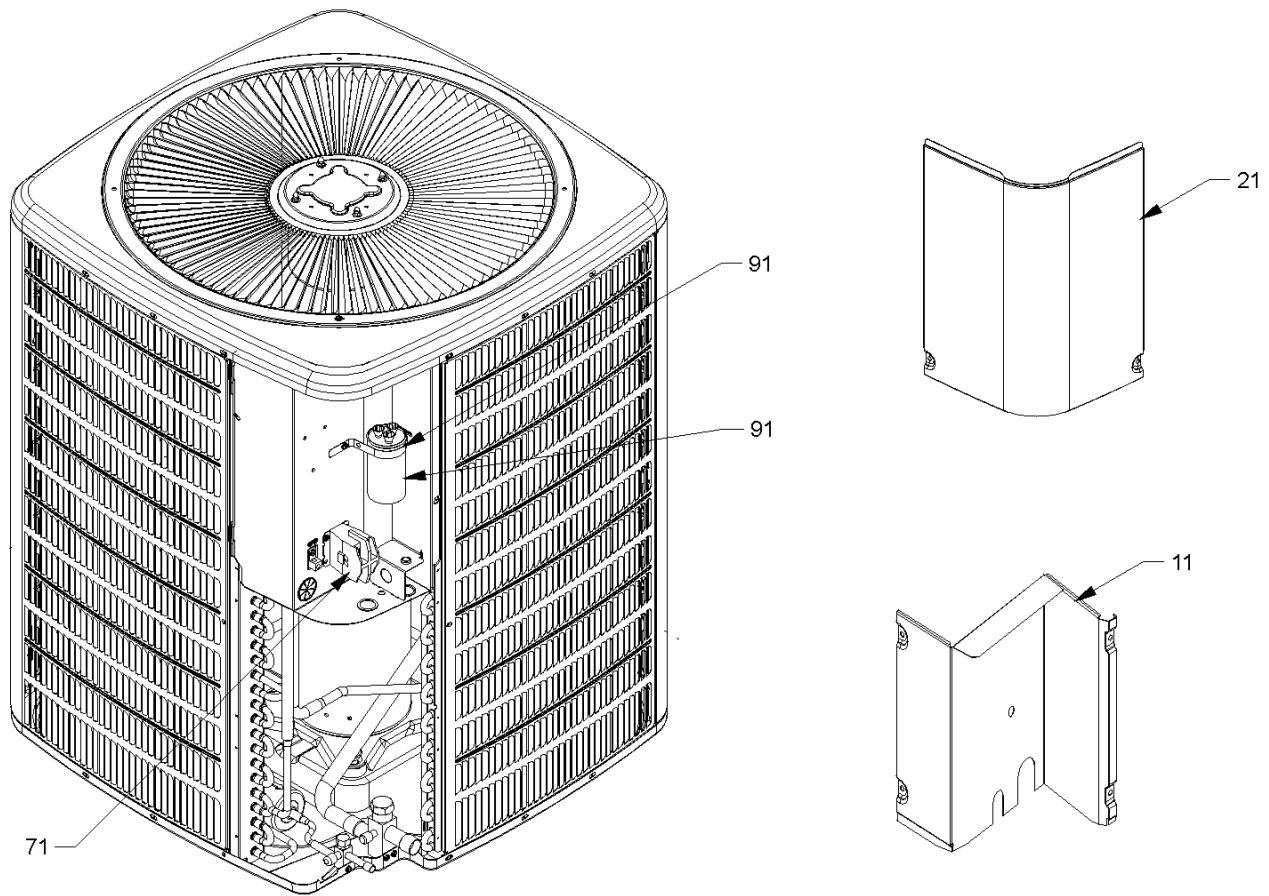
SPECIAL PARTS

IO-258F	INSTALLATION INSTRUCTIONS (M1, M3, M4, M5)
0161R00009P	NAMEPLATE
RP-571	REPAIR PARTS MANUAL

Expanded Model Nomenclature

M1 - GSC140181BA
M2 - GSC140241BA
M3 - GSC140301BA
M4 - GSC140361BA
M5 - GSC140421BA

Control Cover / Control Box



Control Cover / Control Box

Ref. Part No:	No:	Description:	Ref. Part No:	No:	Description:
---------------	-----	--------------	---------------	-----	--------------

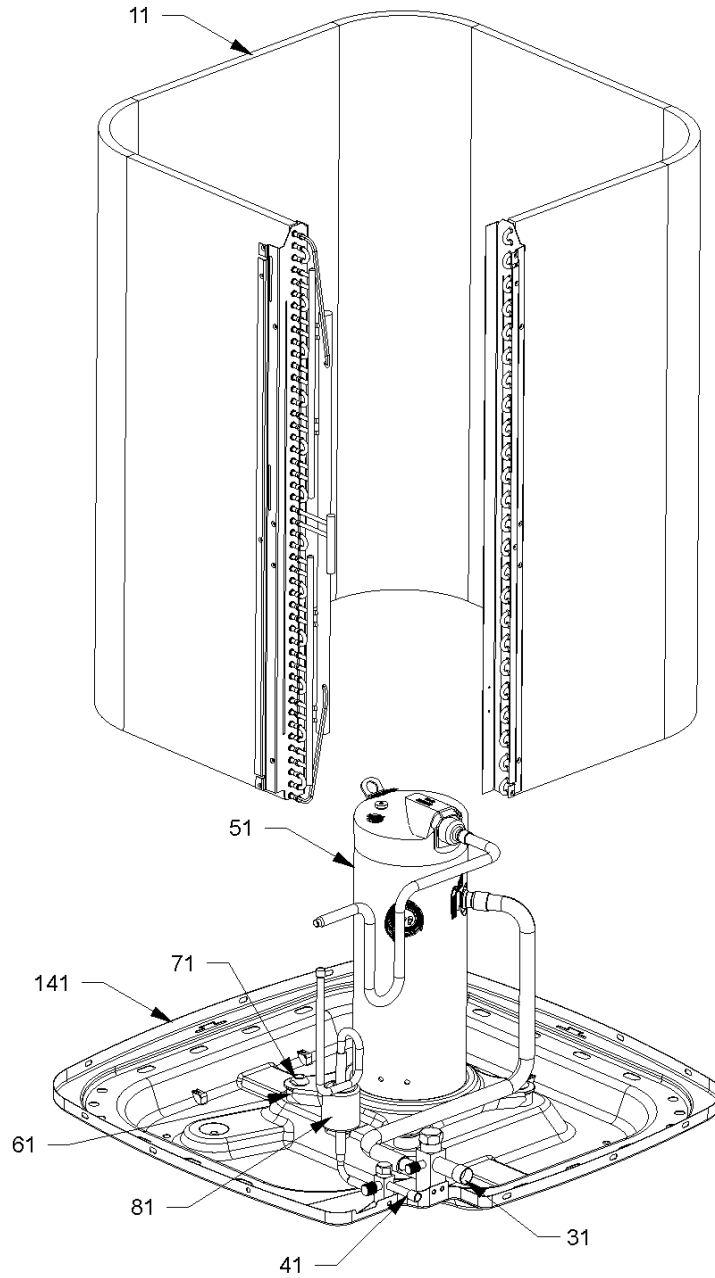
Image 1:

11	0121R00096PDG	LOWER ACCESS PANEL (M1, M2, M3, M4)
11	0121R00155PDG	LOWER ACCESS PANEL (M5)
21	0121R00053PDG	CONTROL COVER
71	CONT2P025024VS	CONTACTOR 25 AMP, 2P, 24V
81	CAP050300370RSS	CAPACITOR 5/30/370V [CONTROL BOX] (M1)
81	CAP050350440RSS	CAPACITOR 5/35/440V [CONTROL BOX] (M2, M3)
81	CAP050450370RSS	CAPACITOR 5/45/370V [CONTROL BOX] (M4)
81	CAP050500440RTS	CAPACITOR 5/50/440V [CONTROL BOX] (M5)
91	4400065	CAPACITOR STRAP
NS	0161R00009P	NAMEPLATE

Expanded Model Nomenclature

M1 - GSC140181BA
M2 - GSC140241BA
M3 - GSC140301BA
M4 - GSC140361BA
M5 - GSC140421BA

Basepan / Compressor / Tubing Assembly



Basepan / Compressor / Tubing Assembly

Ref. Part No: No:	Description:	Ref. Part No: No:	Description:
-------------------	--------------	-------------------	--------------

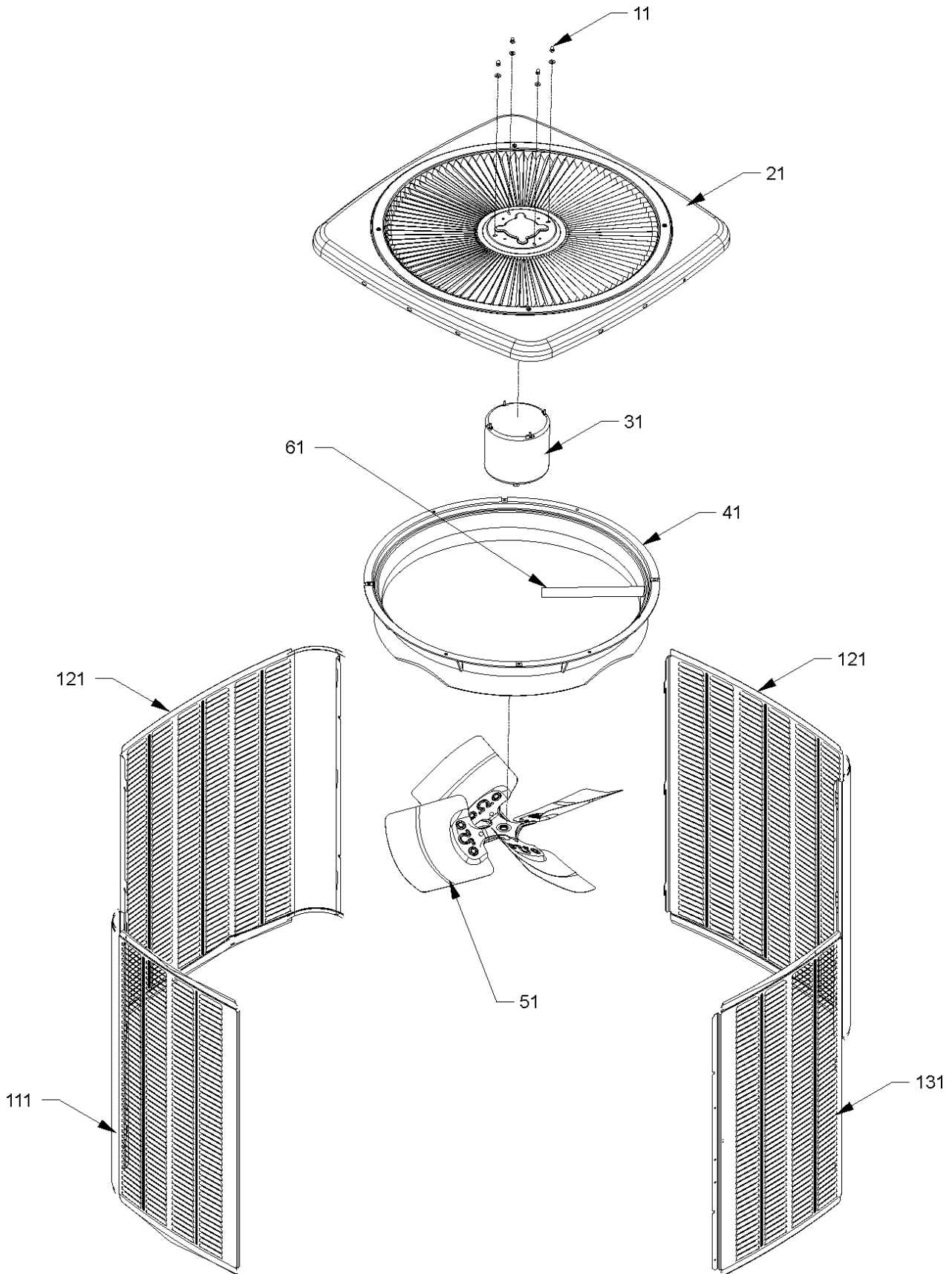
Image 1:

11	0201R00256	TUBING ASSY, COND COIL (M1, M2)
11	0201R00258	TUBING ASSY, COND COIL (M3, M4)
11	0201R00262	TUBING ASSY, COND COIL (M5)
31	0151R00002P	3/4" SERVICE VALVE OPEN LEFT (M1, M2, M3, M4)
31	0151R00003P	7/8" SERVICE VALVE OPEN LEFT (M5)
41	B12825171	3/8" SERVICE VALVE
51	ZR16K4PFV930	COMPRESSOR 16500, 208/230/60/1 (M1)
51	ZR22K4PFV930	COMPRESSOR 22000, 208/230/60/1 (M2)
51	ZR24K4PFV930	COMPRESSOR 24000, 208/230/60/1 (M3)
51	ZR28K3PFV930	COMPRESSOR 28500, 208/230/60/1 (M4)
51	ZR34K3PFV930	COMPRESSOR 34400, 208/230/60/1 (M5)
61	B1339533	COMPRESSOR GROMMET (QTY 4)
71	M0221641	TF SHOULDER SCREW (QTY 4)
81	B1219212	SINGLE-FLOW FILTER DRIER, STEEL
141	0121R00005PDG	BASE PAN 26" (M1, M2)
141	0121R00006PDG	BASE PAN 29" (M3, M4, M5)
NS	0159R00000P	COMPRESSOR SCROLL HARNESS (M1, M2)
NS	0159R00002P	COMPRESSOR SCROLL HARNESS (M4, M5)
NS	B1789853	FLOW CHECK PISTON KIT .053 (M1)
NS	B1789861	FLOW CHECK PISTON KIT .061 (M2)
NS	B1789867	FLOW CHECK PISTON KIT .067 (M3)
NS	B1789874	FLOW CHECK PISTON KIT .074 (M4)
NS	B1789878	FLOW CHECK PISTON KIT .078 (M5)

Expanded Model Nomenclature

M1 - GSC140181BA
M2 - GSC140241BA
M3 - GSC140301BA
M4 - GSC140361BA
M5 - GSC140421BA

Cabinet Top / Side Panels



Cabinet Top / Side Panels

Ref. Part No:	Description:	Ref. Part No:	Description:
---------------	--------------	---------------	--------------

Image 1:

11	0163M00006P	ACORN NUT 5/16 HEX BLACK (QTY 4)
21	0121R00008PDG	TOP PANEL 26" (M1, M2)
21	0121R00010PDG	TOP PANEL 29" (M3, M4, M5)
31	0131M00019PS	COND MOTOR 1/12 HP, 1 SP, 8 PL (M1)
31	0131M00014PS	COND MOTOR 1/4 HP, 1 SP, 8 PL (M5)
31	0131M00060S	COND MOTOR 1/6 HP, 1 SP, 8 PL (M2, M3, M4)
41	0161R00006P	VENTURI RING 29" (M4, M5)
51	0150M00018S	FAN BLADE 20" (M1)
51	0150M00012S	FAN BLADE 20" CCW (M2)
51	0150M00008S	FAN BLADE 22" TNT2203-25 (M3)
51	0150M00008S	FAN BLADE 22" TNT2203-25 (M4)
51	B1086765S	FAN BLADE TYPE 3 (M5)
61	0161R00001P	CONDUIT (M1, M2)
61	0161R00002P	CONDUIT (M4, M5)
61	0161R00003P	CONDUIT (M3)
111	0121R00125PDGB	LOUVERED SIDE PANEL (M3, M4)
111	0121R00171PDGB	LOUVERED SIDE PANEL (M1, M2)
111	0121R00175PDGB	LOUVERED SIDE PANEL (M5)
121	0121R00132PDGB	LOUVERED SIDE PANEL (M3, M4)
121	0121R00172PDGB	LOUVERED SIDE PANEL (M1, M2)
121	0121R00176PDGB	LOUVERED SIDE PANEL (M5)
131	0121R00139PDG	LOUVERED SIDE PANEL (M3, M4)
131	0121R00173PDG	LOUVERED SIDE PANEL (M1, M2)
131	0121R00177PDG	LOUVERED SIDE PANEL (M5)

Expanded Model Nomenclature

M1 - GSC140181BA
M2 - GSC140241BA
M3 - GSC140301BA
M4 - GSC140361BA
M5 - GSC140421BA

