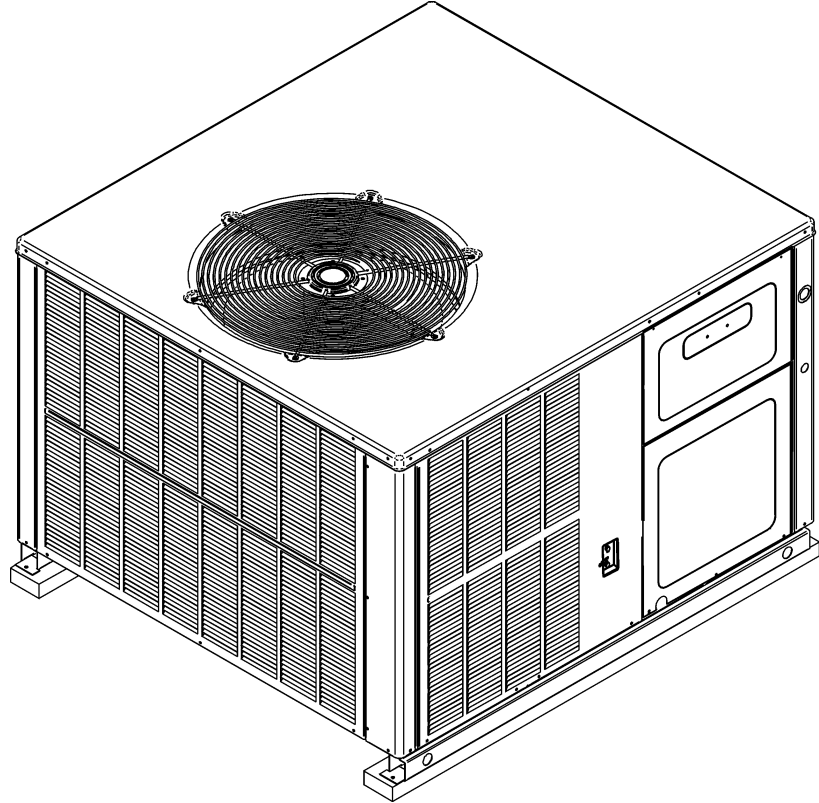


GPH13 "M" Residential Package Heat Pump

GPH1324M41CB

GPH1336M41CB



This manual is to be used by qualified technicians only.

© 2015 Goodman Company, L.P. ♦ 5151 San Felipe St., Suite 500 ♦ Houston, TX 77056

Important Information

Index

Functional Parts List	3
Illustration and Parts	4 - 11

Views shown are for parts illustrations only, not servicing procedures

Text Codes:

AR - As Required

NA - Not Available

NS - Not Shown

00000000 - See Note

QTY - Quantity Example (QTY 3) (If Quantity not shown, Quantity = 1)

M - Model Example (M1) (If M Code not shown, then part is used on all Models)

Expanded Model Nomenclature:

Example M1 - Model#1 M2 - Model#2 M3 - Model#3

Goodman Company, L.P. is not responsible for personal injury or property damage resulting from improper service. Review all service information before beginning repairs.

Warranty service must be performed by an authorized technician, using authorized factory parts. If service is required after the warranty expires, Goodman Company, L.P. also recommends contacting an authorized technician and using authorized factory parts.

Goodman Company, L.P. reserves the right to discontinue, or change at any time, specifications or designs without notice or without incurring obligations.

For assistance within the U.S.A. contact:

Consumer Affairs Department

Goodman Company, L.P.

7401 Security Way

Houston, Texas 77040

877-254-4729-Telephone

713-863-2382-Facsimile

For assistance outside the U.S.A. contact:

International Division

Goodman Company, L.P.

7401 Security Way

Houston, Texas 77040

713-861-2500-Telephone

713-863-2382-Facsimile

Functional Parts

Part

No: **Description:**

0130M00014	240 VOLT RELAY (M1)
B1226206	ACCUMULATOR (M1)
B1226207	ACCUMULATOR .875 (M2)
11091207	BLOWER MOTOR 1/4 HP, 3 SP, 8 PL (M1)
D6723303	BLOWER WHEEL
CAP100000370LA	CAPACITOR 10/370V (M1)
CAP050400440CT	CAPACITOR 5/40/440V/DUAL RD (M1)
CAP050450440CT	CAPACITOR 5/45/440V/DUAL RD (M2)
ZP21K5EPFV130	COMPRESSOR 21300, 208/230/60/1 (M1)
ZP31K5EPFV130	COMPRESSOR 31100, 208/230/60/1 (M2)
0131M00061	COND MOTOR 1/4 HP, 1 SP, 8 PL
CONT1P025024V	CONTACTOR 25 AMP, 1P, 24V
0130M00074	CUT-OUT SWITCH, HIGH PRESSURE
0130M00075	CUT-OUT SWITCH, LOW PRESSURE
PCBDM133	DEFROST CONTROL BOARD
PCBFM103	ELECTRONIC BLOWER TIME DELAY (M1)
0150M00008	FAN BLADE 22" TNT2203-25 (M1)
B1086765	FAN BLADE TYPE 3 (M2)
B2114455	FLOWRATOR .055 (M2)
0162M00234	FLOWRATOR [COND] (M1)
0162M00315	FLOWRATOR [EVAP] (M1)
0162M00318	FLOWRATOR [EVAP] (M2)
0131M00462	PROGRAMMED MOTOR (M2)
0151R00071	REVERSING VALVE (M2)
0151R00069	REVERSING VALVE (M1)
B1225022	SOLENOID COIL
0130M00138	TRANSFORMER 208/230, 24V

Expanded Model Nomenclature

M1 - GPH1324M41CB
M2 - GPH1336M41CB

Cabinet Assembly

Image 1

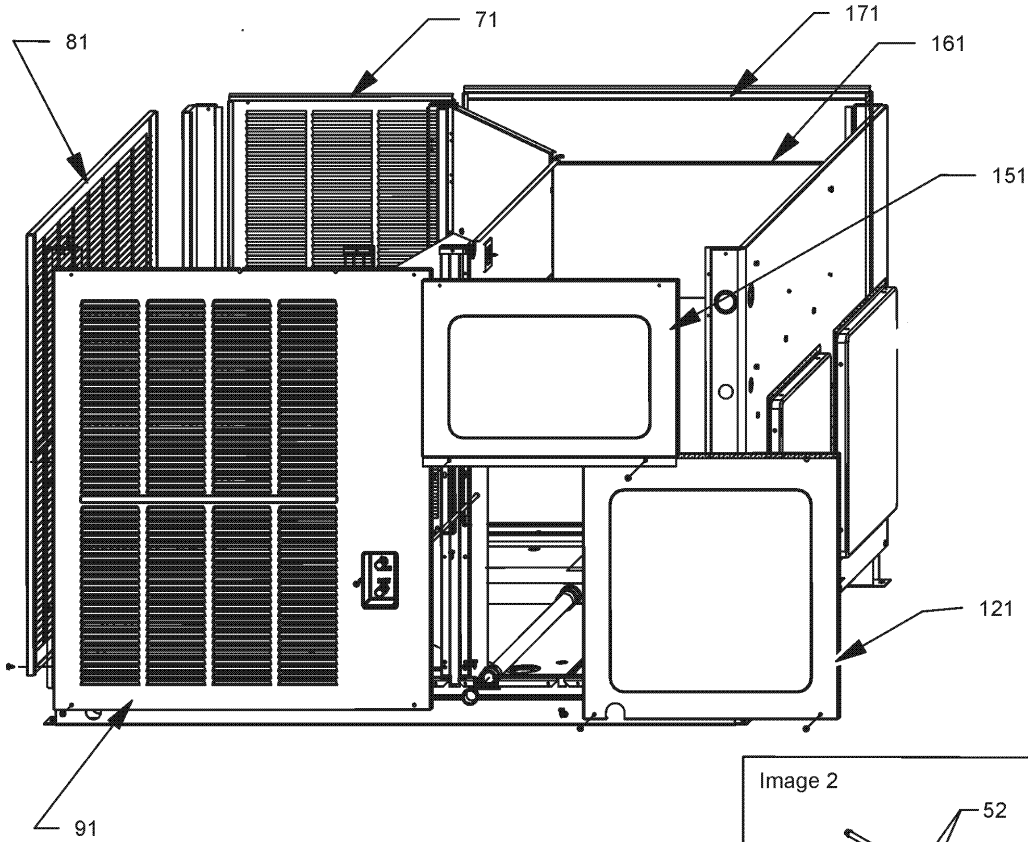
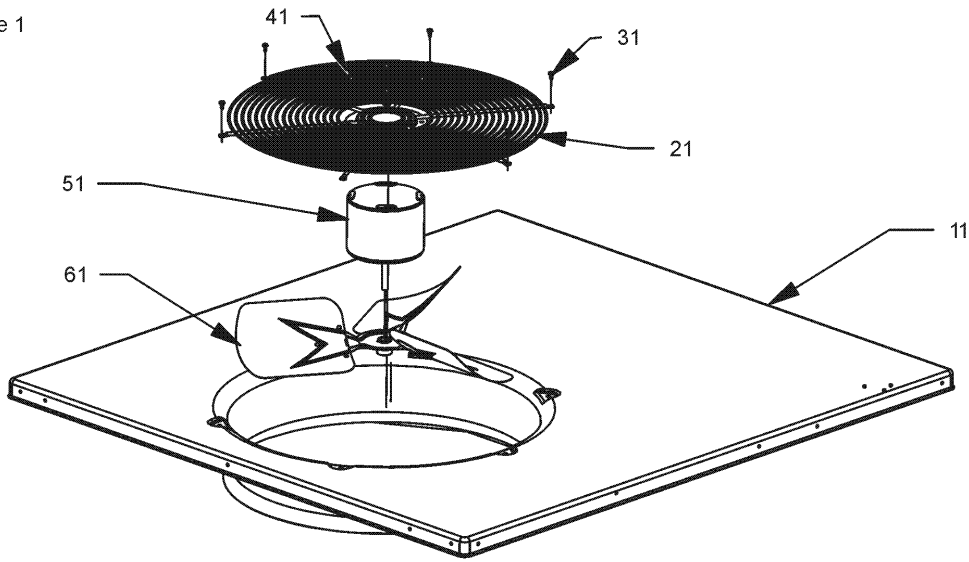
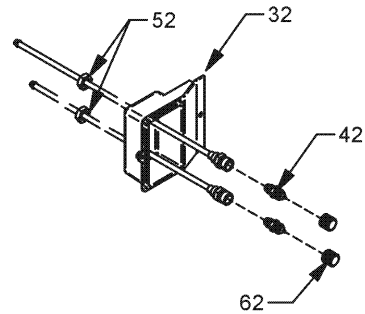


Image 2



Cabinet Assembly

Ref. Part No: No:	Description:	Ref. Part No: No:	Description:
-------------------	--------------	-------------------	--------------

Image 1:

11	0121G00156PDG	PNL, TOP, PNT
21	0152G00003	FAN GRILLE (M1)
21	0152G00000	FAN GRILLE, RAISED (M2)
31	M0221817	SMALL SCREW (QTY 6)
41	0163M00006P	ACORN NUT 5/16 HEX BLACK (QTY 4)
51	0131M00061	COND MOTOR 1/4 HP, 1 SP, 8 PL
61	0150M00008	FAN BLADE 22" TNT2203-25 (M1)
61	B1086765	FAN BLADE TYPE 3 (M2)
71	20467701PDG	LOUVERED PANEL, COND SIDE 32"
81	20464401PDG	LOUVERED PANEL, COND SIDE 32"
91	0121G00146PDG	LOUVERED PANEL 4 BANK 32.5", COMP SIDE
121	0121G00165PDG	BLOWER PANEL 32.5"
151	0121G00213DG	CONTROL BOX PANEL
161	0121G00592	EVAP BLOCKOFF
171	20464801PDG	BLOWER DOOR 32"
NS	0121G00235	FAN BAFFLE
NS	17788000083F	PVC CONDUIT 8.25"

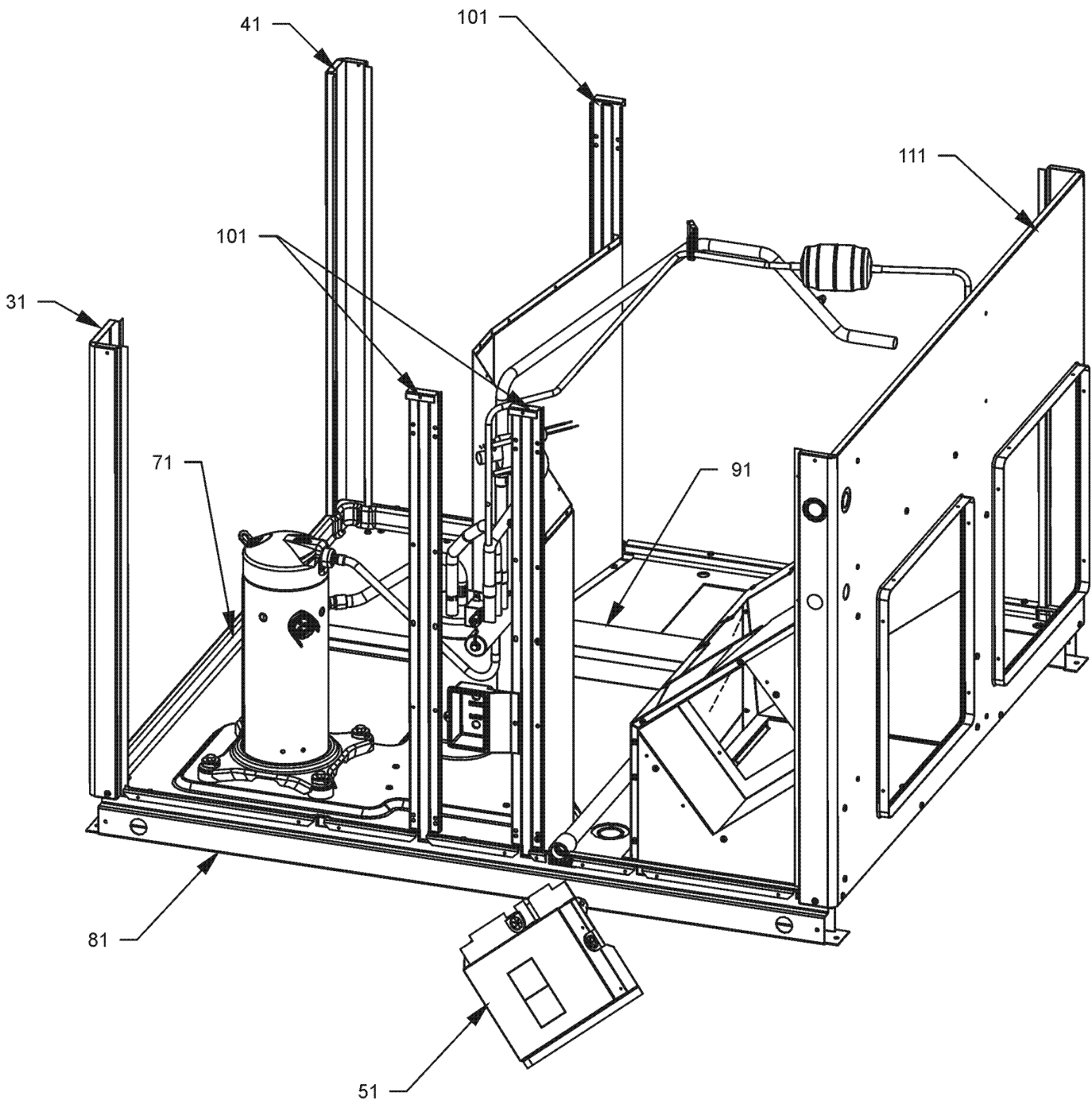
Image 2:

32	0161G00008	ACCESS-FITTING BOX
42	B1373315	ACCESS FITTING (QTY 2)
52	0163G00000P	FASTEST FITTING NUT (QTY 2)
62	0163M00175	CAP WITH O-RING (QTY 2)

Expanded Model Nomenclature

M1 - GPH1324M41CB
M2 - GPH1336M41CB

Panels and Supports



Panels and Supports

Ref. Part No: No:	Description:	Ref. Part No: No:	Description:
------------------------------	---------------------	------------------------------	---------------------

Image 1:

31	20464201PDG	CORNER POST-COMP END 32"
41	20464301PDG	CORNER POST-HAIRPIN END 32"
51	0121G00528	HEATER KIT COVER (QTY 2)
71	0121G00444	BASEPAN, PACKAGE
81	0121G00290	BASE PAN RAIL (QTY 2)
91	0161G00003	PLASTIC DRIP PAN
101	0121G00460	SIDE SUPPORT POST (QTY 3)
111	0121G00440DG	DUCT PANEL 32.5"

Expanded Model Nomenclature

M1 - GPH1324M41CB
M2 - GPH1336M41CB

Tubing / Coil Assemblies

Image 1

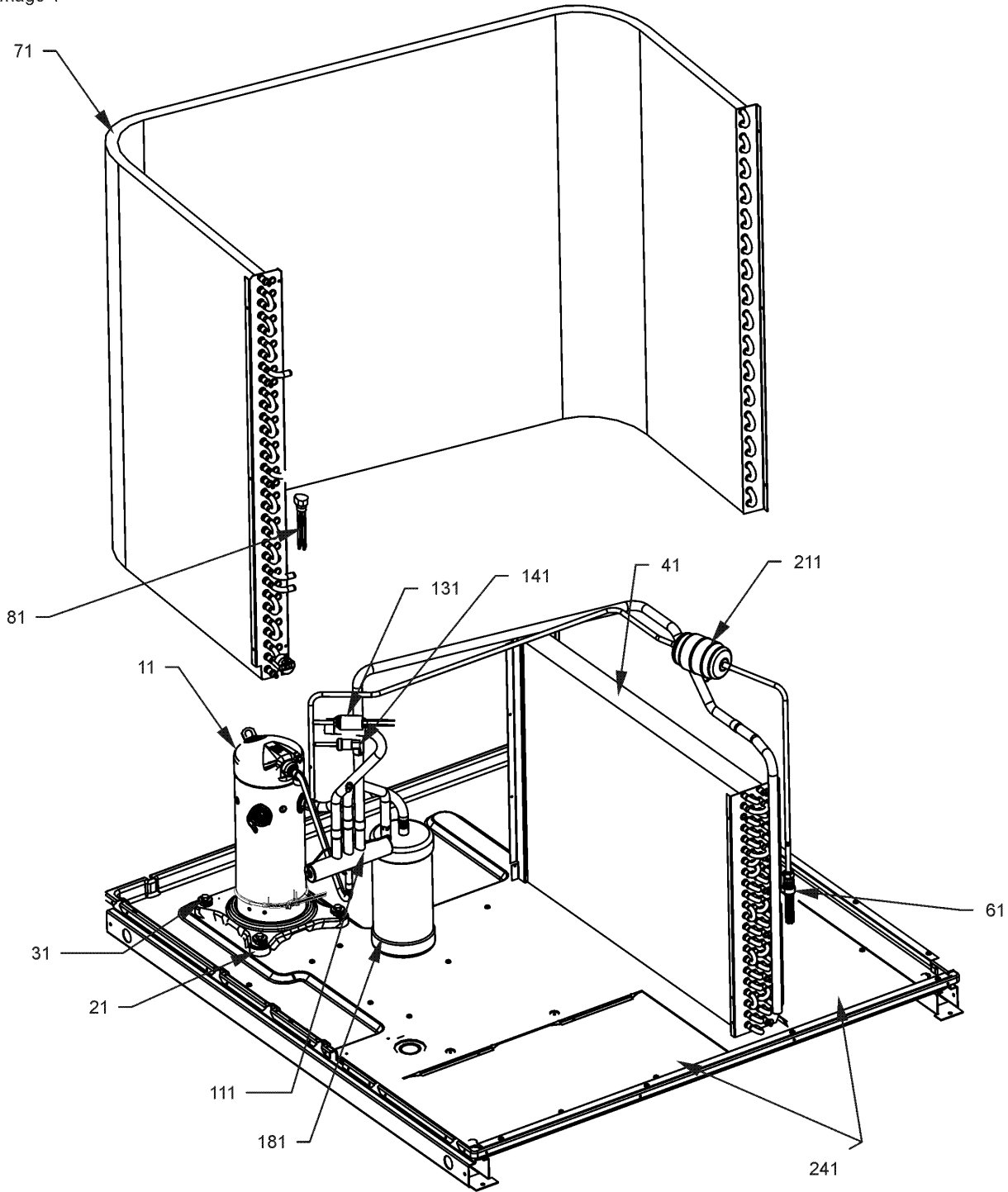
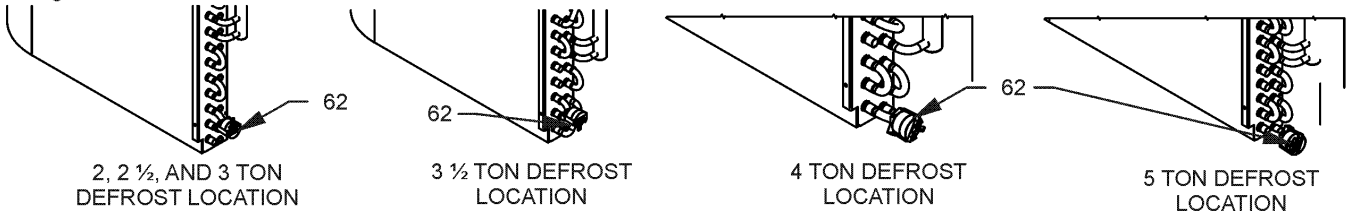


Image 2



Tubing / Coil Assemblies

Ref. Part No: No:	Description:	Ref. Part No: No:	Description:
-------------------	--------------	-------------------	--------------

Image 1:

11	ZP21K5EPFV130	COMPRESSOR 21300, 208/230/60/1 (M1)
11	ZP31K5EPFV130	COMPRESSOR 31100, 208/230/60/1 (M2)
21	B1339533	COMPRESSOR GROMMET (QTY 4)
31	M0221641	TF SHOULDER SCREW (QTY 4)
41	0202G00576	EVAP COIL ASSY (M1)
41	0202G00578	EVAP COIL ASSY (M2)
61	0162M00315	FLOWRATOR [EVAP] (M1)
61	0162M00318	FLOWRATOR [EVAP] (M2)
71	0201G00303	COND COIL ASSY (M1)
71	0201G00304	COND COIL ASSY (M2)
81	B2114455	FLOWRATOR .055 (M2)
81	0162M00234	FLOWRATOR [COND] (M1)
111	0151R00069	REVERSING VALVE (M1)
111	0151R00071	REVERSING VALVE (M2)
131	0130M00074	CUT-OUT SWITCH, HIGH PRESSURE
141	0130M00075	CUT-OUT SWITCH, LOW PRESSURE
181	B1226206	ACCUMULATOR (M1)
181	B1226207	ACCUMULATOR .875 (M2)
211	20485201	BI-FLOW FILTER DRIER
241	0121G00148	SINGLE COVER, DOWN DISCHARGE (QTY 2)
NS	0159G00002	COMPRESSOR SCROLL HARNESS
NS	0159G00001	COMPRESSOR SOLENOID CABLE
NS	B1225022	SOLENOID COIL

Image 2:

62	0130M00099	CONTROL, DEFROST (M1)
62	0130M00101	CONTROL, DEFROST (M2)

Expanded Model Nomenclature

M1 - GPH1324M41CB
M2 - GPH1336M41CB

Control Panel / Blower Assembly

Image 1

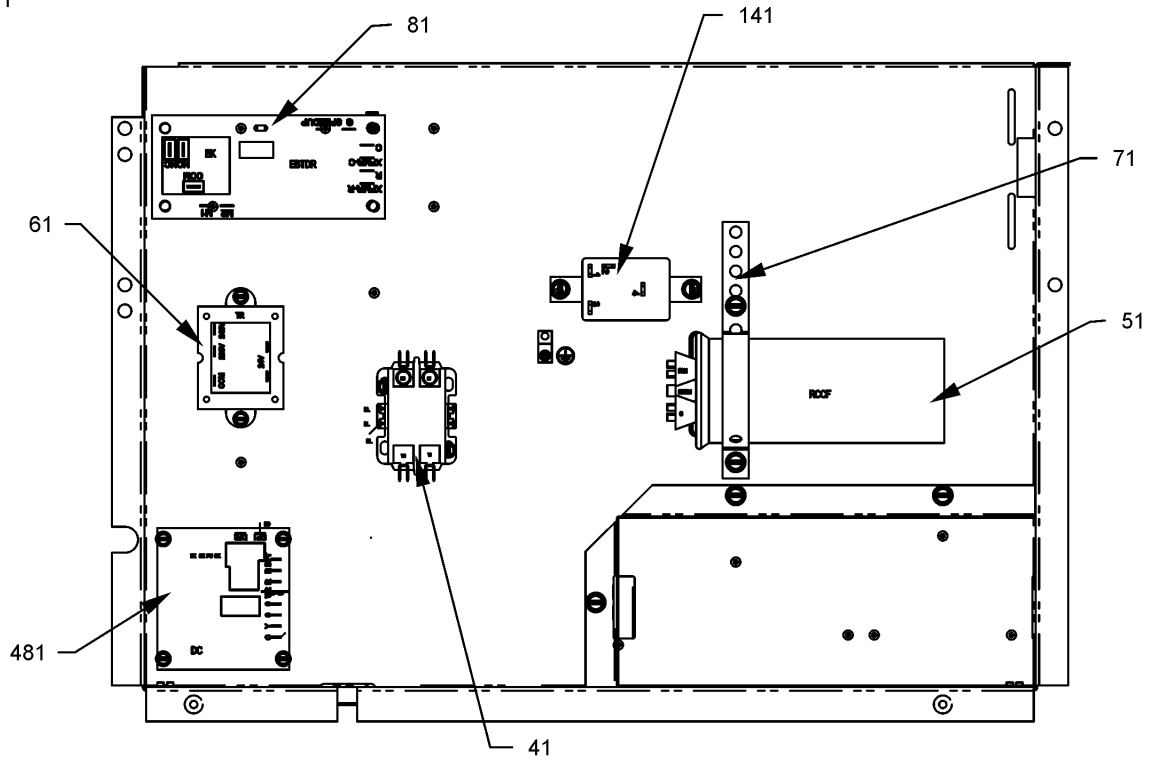
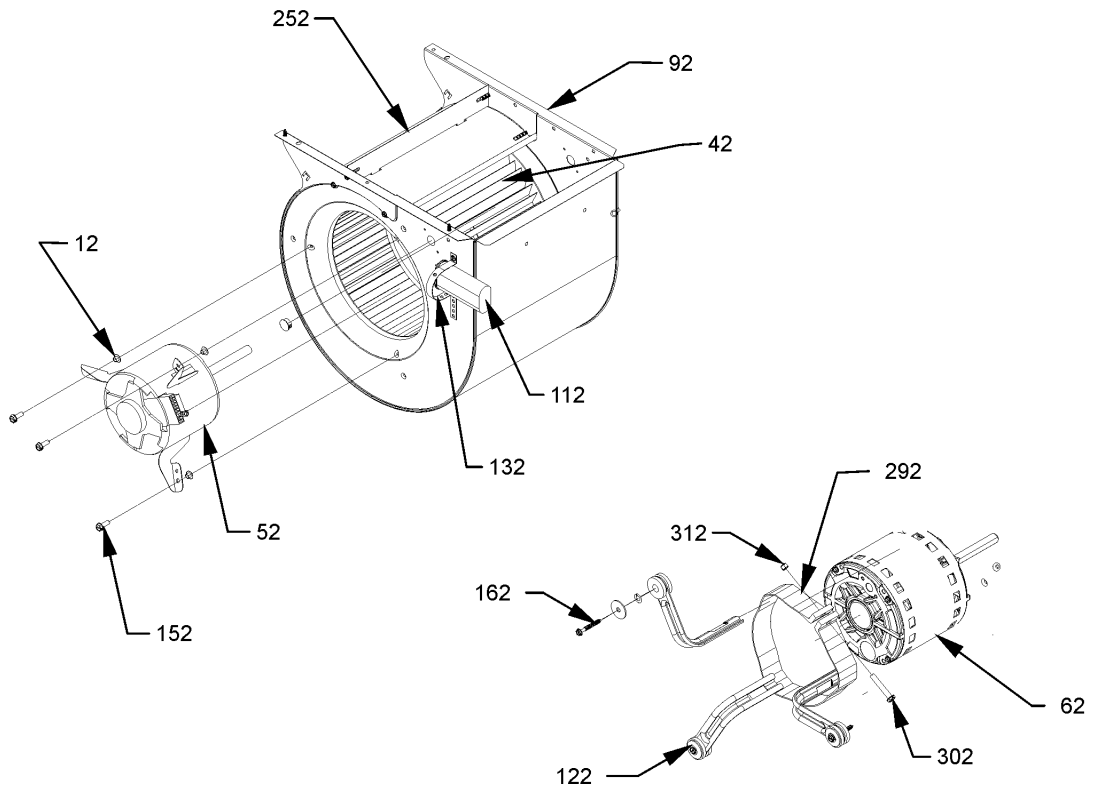


Image 2



Control Panel / Blower Assembly

Ref. Part No: No:	Description:	Ref. Part No: No:	Description:
-------------------	--------------	-------------------	--------------

Image 1:

41	CONT1P025024V	CONTACTOR 25 AMP, 1P, 24V
51	CAP050400440CT	CAPACITOR 5/40/440V/DUAL RD (M1)
51	CAP050450440CT	CAPACITOR 5/45/440V/DUAL RD (M2)
61	0130M00138	TRANSFORMER 208/230, 24V
71	20520901	CAPACITOR STRAP
81	PCBFM103	ELECTRONIC BLOWER TIME DELAY (M1)
141	0130M00014	240 VOLT RELAY (M1)
481	PCBDM133	DEFROST CONTROL BOARD
NS	0259G00070	WIRE HARNESS, ELECTRIC HEAT (M2)
NS	0259G00094	WIRE HARNESS, ELECTRIC HEAT (M1)

Image 2:

12	B1392143	GROMMET, 26TAL F/TORSIN FLEX (M1)
42	D6723303	BLOWER WHEEL
52	11091207	BLOWER MOTOR 1/4 HP, 3 SP, 8 PL (M1)
62	0131M00462	PROGRAMMED MOTOR (M2)
92	0271G00024	BLOWER HOUSING ASSY 10 X 9
112	CAP100000370LA	CAPACITOR 10/370V (M1)
122	B1376857	MOTOR MOUNT ARM (M2)
132	20520901	CAPACITOR STRAP (M1)
152	M0250558	TC SCREW (M1)
162	M0250565	TC SCREW 1.25" (M2)
252	764742	BLOWER BLOCK-OFF
292	0121M00038	MOTOR MOUNT BAND (M2)
302	B1393323	MACHINE SCREW HWH 1/4-20 X 1-1/2 BZ (M2)
312	B1393800	LOCKNUT, NYLON, INSERT 1/4, 20 (M2)
NS	0259G00065	BLOWER HARNESS (M2)
NS	B821700	CAPACITOR BOOT (M1)

Expanded Model Nomenclature

M1 - GPH1324M41CB
M2 - GPH1336M41CB