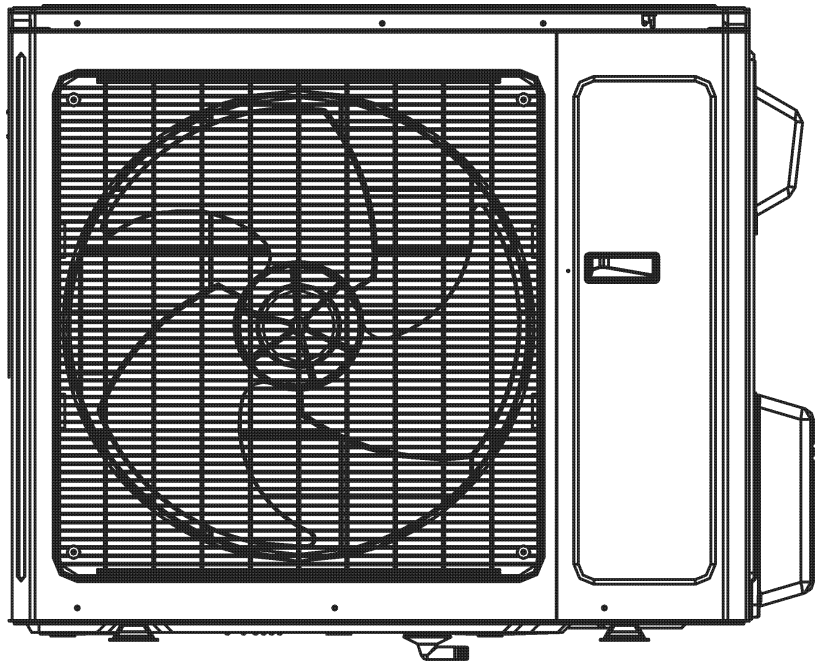


GMX16/18*CUE Outdoor Mini-Splits**

GMX160122CUE
GMX160182CUE
GMX160242CUE
GMX16092CUE
GMX180362CUE



To order parts contact:
Doral Branch #274
8925 NW 27th St.
Miami, FL 33172

This manual is to be used by qualified technicians only.

Important Information

Index

Functional Parts List	3
Illustration and Parts	4 - 13

Views shown are for parts illustrations only, not servicing procedures

Goodman GREE models for Latin America

Text Codes:

AR - As Required

NA - Not Available

NS - Not Shown

00000000 - See Note

QTY - Quantity Example (QTY 3) (If Quantity not shown, Quantity = 1)

M - Model Example (M1) (If M Code not shown, then part is used on all Models)

Expanded Model Nomenclature:

Example M1 - Model#1 M2 - Model#2 M3 - Model#3

Goodman Manufacturing Company, L.P. is not responsible for personal injury or property damage resulting from improper service. Review all service information before beginning repairs.

Warranty service must be performed by an authorized technician, using authorized factory parts. If service is required after the warranty expires, Goodman Manufacturing Company, L.P. also recommends contacting an authorized technician and using authorized factory parts.

Goodman Manufacturing Company, L.P. reserves the right to discontinue, or change at any time, specifications or designs without notice or without incurring obligations.

For assistance within the U.S.A. contact:
Homeowner Support
Goodman Manufacturing Company, L.P.
19001 Kermier Road
Waller, Texas 77484
877-254-4729-Telephone
713-863-2382-Facsimile

For assistance outside the U.S.A. contact:
International Division
Goodman Manufacturing Company, L.P.
19001 Kermier Road
Waller, Texas 77484
713-861-2500-Telephone
713-863-2382-Facsimile

To order parts contact:
Doral Branch #274
8925 NW 27th St.
Miami, FL 33172

Functional Parts

Part

No: Description:

00205275	Compressor (M5)
00103892	Compressor and Fittings (M4)
00105249G	Compressor and Fittings (M2, M3)
00103364	Compressor and Fittings (M1)
0713506803	Cut off Valve (M2)
071302391	Cut off Valve (M1, M4)
07133082	Cut off Valve (M1)
07133157	Cut off Valve (M3, M5)
07133774	Cut off Valve Assy 1/2 (M2)
0713317001	Cut off Valve Sub-Assy (M3)
20113027	Electric Box (M3)
1501506402	Fan Motor (M2, M3)
1570280205	Fan Motor (M5)
1501306723	Fan Motor (M1, M4)
30138000674	Main Board (M3)
30138000678	Main Board (M4)
30138000686	Main Board (M2)
30138001267	Main Board (M1)
3900030901	Temperature Sensor (M2, M3)
3900031001	Temperature Sensor (M5)
42010313	Terminal Board (M1, M4)
42010255	Terminal Board (M2, M3)
07100003	Valve (M4)

Expanded Model Nomenclature

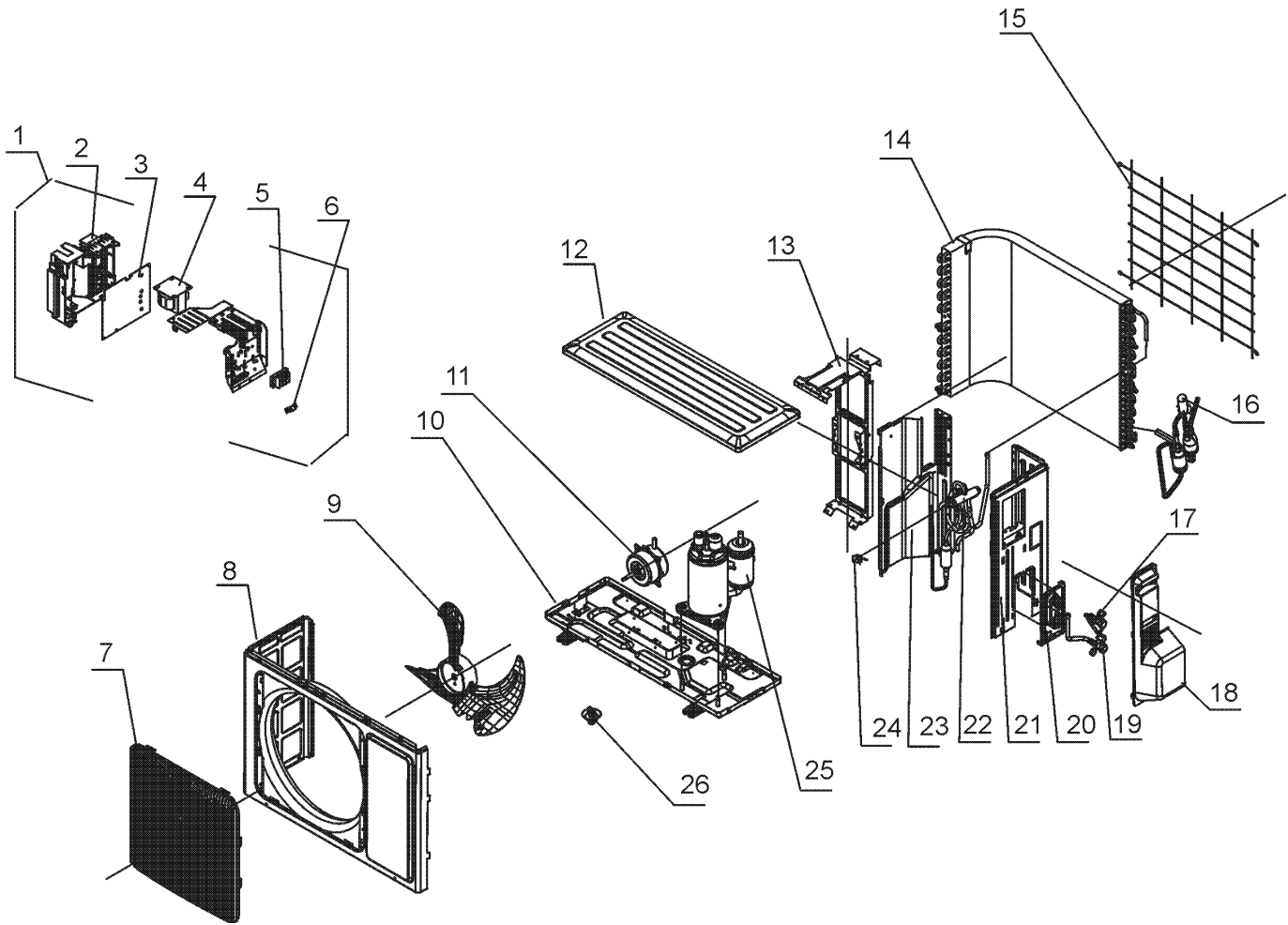
M1 - GMX160122CUE
M2 - GMX160182CUE
M3 - GMX160242CUE
M4 - GMX16092CUE
M5 - GMX180362CUE

To order parts contact:
Doral Branch #274
8925 NW 27th St.
Miami, FL 33172

GMX16092CUE

GMX16092CUE

To order parts contact:
Doral Branch #274
8925 NW 27th St.
Miami, FL 33172



GMX16092CUE

Ref. Part No: No:	Description:	Ref. Part No: No:	Description:
-------------------	--------------	-------------------	--------------

Image 1:

1	10000100289	Electric Box Assy (M4)
2	10000500128	Electric Box Sub-Assy (M4)
3	30138000678	Main Board (M4)
4	43130184	Reactor (M4)
5	42010313	Terminal Board (M4)
6	71010003	Wire Clamp (M4)
7	01473012	Front Grill (M4)
8	NA	FRONT PANEL (M4)
9	10333004	Axial Flow Fan (M4)
10	0170000009501P	Chassis Sub-assy (M4)
11	1501306723	Fan Motor (M4)
12	01253073	Top Cover Sub-Assy (M4)
13	01703104	Motor Support (M4)
14	01100200359	Condenser Assy (M4)
15	01473009	Rear Grill (M4)
16	NA	REAR GRILL (M4)
17	07100003	Valve (M4)
18	NA	CUT OFF VALVE (M4)
19	071302391	Cut off Valve (M4)
20	0171314201P	Valve Support (M4)
21	013030713	Right Side Plate Assy (M4)
22	NA	RIGHT SIDE PLATE SUB-ASSY (M4)
23	0123338502	Clapboard Sub-Assy (M4)
24	NA	CLAPBOARD SUB-ASSY (M4)
25	00103892	Compressor and Fittings (M4)
26	NA	DRAINAGE CONNECTOR (M4)

Expanded Model Nomenclature

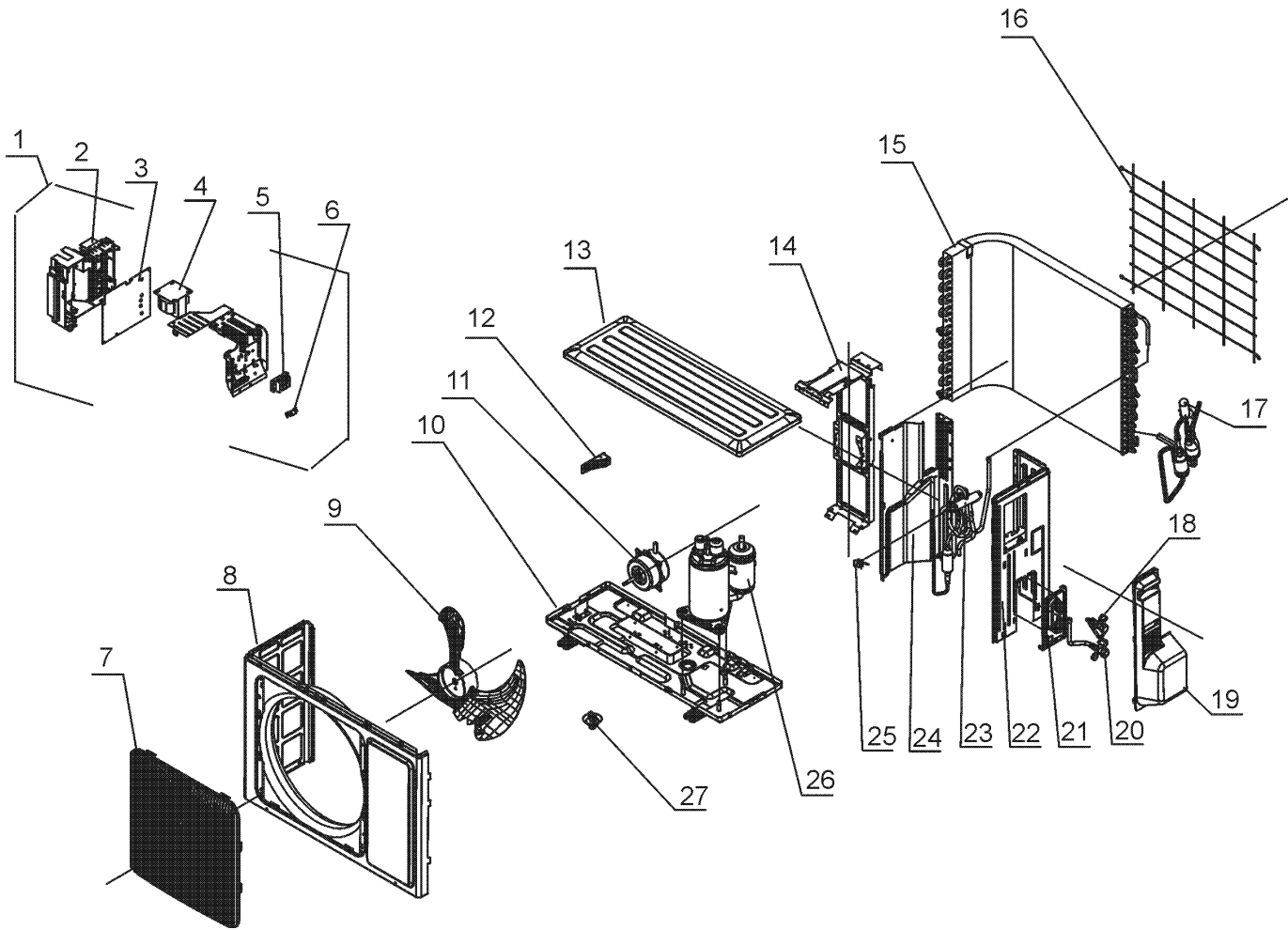
- M1 - GMX160122CUE
- M2 - GMX160182CUE
- M3 - GMX160242CUE
- M4 - GMX16092CUE
- M5 - GMX180362CUE

To order parts contact:
Doral Branch #274
8925 NW 27th St.
Miami, FL 33172

GMX160122CUE

GMX1601822CUE

To order parts contact:
Doral Branch #274
8925 NW 27th St.
Miami, FL 33172



GMX160122CUE

Ref. Part No:	Ref. Part No:
No:	No:
Description:	Description:

Image 1:

1	*10000100886	Electric Box Assy (M1) * last four digits of part number _L74327
2	10000500541	Electric Box Sub-Assy (M1)
3	30138001267	Main Board (M1)
4	43130184	Reactor (M1)
5	42010313	Terminal Board (M1)
6	71010103	Wire Clamp (M1)
7	01473012	Front Grill (M1)
8	0000030001504	Front Panel Assy (M1)
9	10333004	Axial Flow Fan (M1)
10	01700000012601P	Chassis Sub-assy (M1)
11	1501306723	Fan Motor (M1)
12	26233100	Small Handle (M1)
13	000051060006	Top Cover Sub-Assy (M1)
14	0170310401	Motor Support (M1)
15	011002000133	Condenser Assy (M1)
16	01473009	Rear Grill (M1)
17	NA	ELECTRONIC EXPANSION VALVE (M1)
18	07133082	Cut off Valve (M1)
19	NA	BIG HANDLE (M1)
20	071302391	Cut off Valve (M1)
21	0171314201P	Valve Support (M1)
22	013030713	Right Side Plate Assy (M1)
23	NA	4-WAY VALVE ASSY (M1)
24	0123338502	Clapboard Sub-Assy (M1)
25	NA	MAGNET COIL (M1)
26	00103364	Compressor and Fittings (M1)
27	NA	DRAINAGE CONNECTOR (M1)

Expanded Model Nomenclature

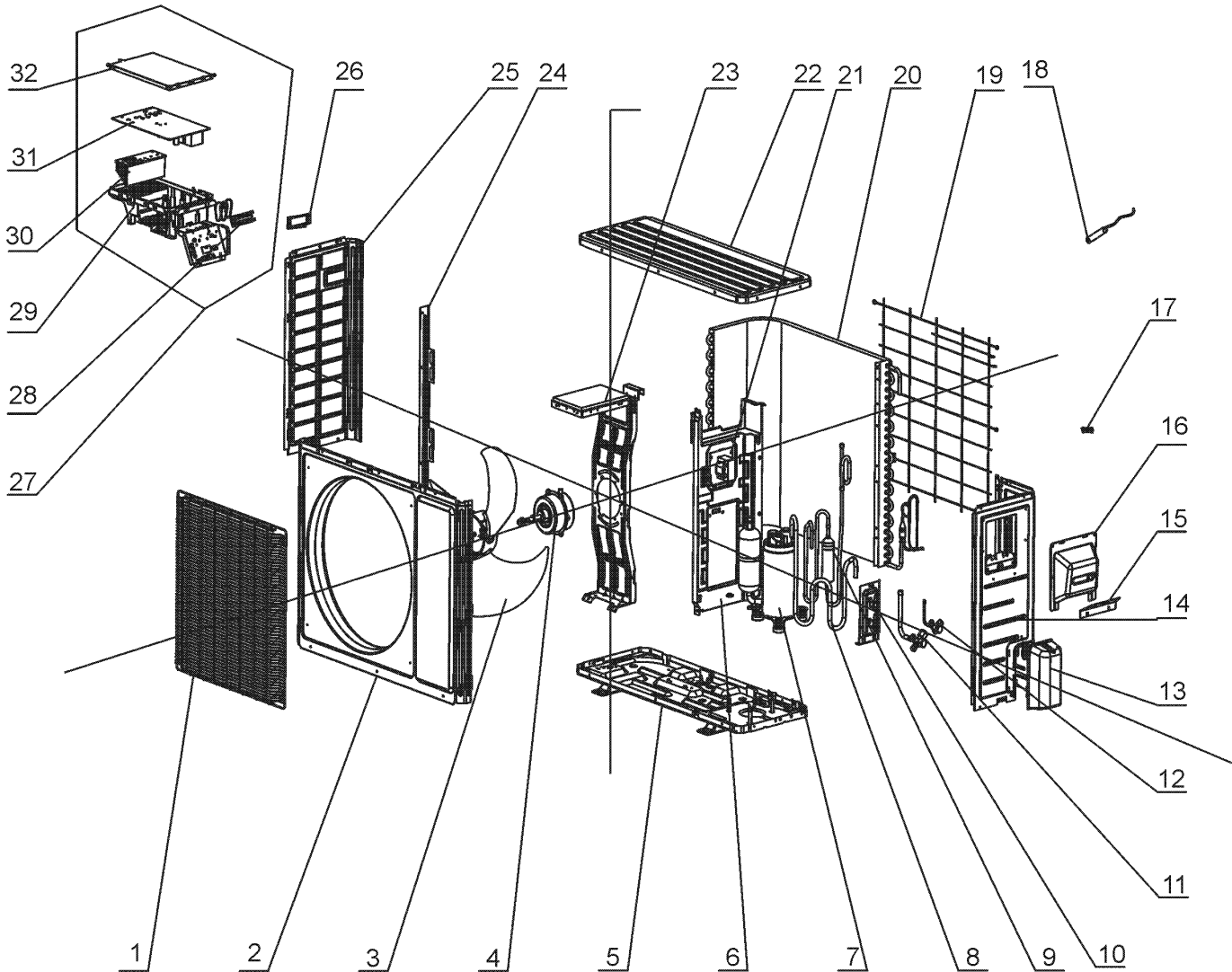
M1 - GMX160122CUE
M2 - GMX160182CUE
M3 - GMX160242CUE
M4 - GMX16092CUE
M5 - GMX180362CUE

To order parts contact:
Doral Branch #274
8925 NW 27th St.
Miami, FL 33172

GMX160182CUE

GMX160182CUE

To order parts contact:
Doral Branch #274
8925 NW 27th St.
Miami, FL 33172



GMX160182CUE

Ref. Part No:	Ref. Part No:	Description:	Description:
Image 1:			
1	01473049	Front Grill (M2)	
2	0000030002401	Front Panel Assy (M2)	
3	10335008	Axial Flow Fan (M2)	
4	1501506402	Fan Motor (M2)	
5	01700000094P	Chassis Sub-assy (M2)	
6	01233153	Clapboard Assy (M2)	
7	00105249G	Compressor and Fittings (M2)	
8	03833913	Inhalation Tube Sub-assy (M2)	
9	03001300244	Discharge Tube Sub-assy (M2)	
10	01715010P	Valve Support Assy (M2)	
11	07133774	Cut off Valve Assy 1/2 (M2)	
12	0713506803	Cut off Valve (M2)	
13	22245002	Valve Cover (M2)	
14	0130329202	Right Side Plate Assy (M2)	
15	02115006P	Retaining Plate (M2)	
16	02113109	Handle Assy (M2)	
17	26115004	Wiring Clamp (M2)	
18	3900030901	Temperature Sensor (M2)	
19	01473043	Rear Grill (M2)	
20	01100200338	Condenser Assy (M2)	
21	NA	WALL MOUNTING FRAME (M2)	
22	000051000017	Coping Sub-Assy (M2)	
23	01705043	Motor Support Sub-Assy (M2)	
24	0117313201	Condenser Support Plate (M2)	
25	01305093P	Left Side Plate (M2)	
26	26233053	Handle (M2)	
27	*10000100287	Electric Box Assy (M2)	
		* last four digits of part number _L74327	
28	42010255	Terminal Board (M2)	
29	20113027	Electric Box (M2)	
30	30138000686	Main Board (M2)	
31	49010252	Radiator (M2)	
32	20113003	Insulated Board (Cover of Electric Box) (M2)	

Expanded Model Nomenclature

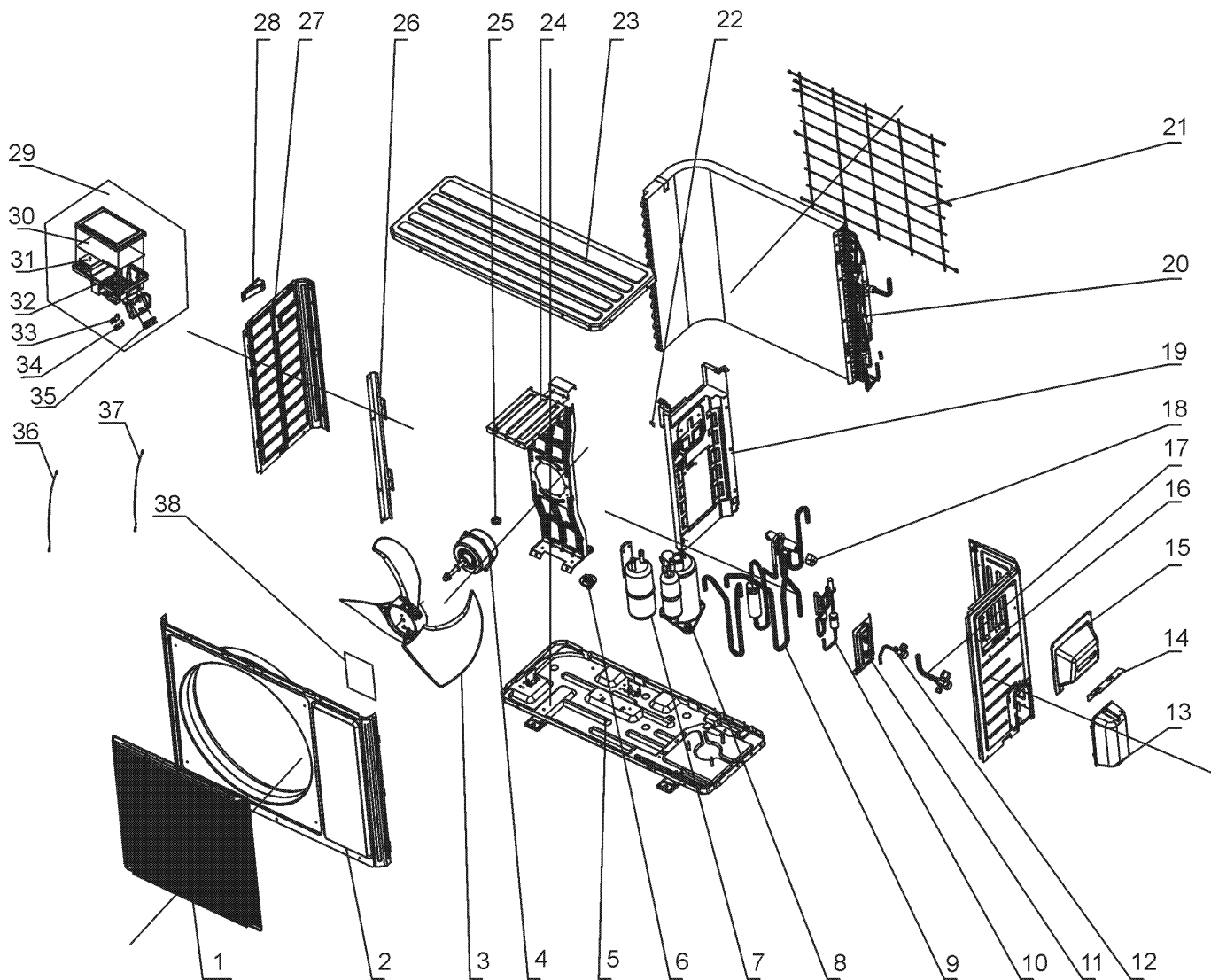
- | |
|-------------------|
| M1 - GMX160122CUE |
| M2 - GMX160182CUE |
| M3 - GMX160242CUE |
| M4 - GMX16092CUE |
| M5 - GMX180362CUE |

To order parts contact:
 Doral Branch #274
 8925 NW 27th St.
 Miami, FL 33172

GMX160242CUE

GMX160242CUE

To order parts contact:
Doral Branch #274
8925 NW 27th St.
Miami, FL 33172



GMX160242CUE

Ref. Part No:	Ref. Part No:	Description:	Description:
---------------	---------------	--------------	--------------

Image 1:

1	01473043	Rear Grill (M3)
2	0000030002401	Front Panel Assy (M3)
3	10335008	Axial Flow Fan (M3)
4	1501506402	Fan Motor (M3)
5	02803214P	Chassis Sub-assy (M3)
6	NA	DRAINAGE CONNECTOR (M3)
7	NA	GAS-LIQUID SEPARATOR ASSY (M3)
8	00105249G	Compressor and Fittings (M3)
9	NA	4-WAY VALVE ASSY (M3)
10	NA	ELECTRIC EXPANSION VALVE SUB-ASSY (M3)
11	01713098P	Valve Support Sub-Assy (M3)
12	0713317001	Cut off Valve Sub-Assy (M3)
13	22245002	Valve Cover (M3)
14	02115006P	Retaining Plate (M3)
15	02113109	Handle Assy (M3)
16	0130329202	Right Side Plate Assy (M3)
17	07133157	Cut off Valve (M3)
19	01233153	Clapboard Assy (M3)
20	01100200348	Condenser Assy (M3)
21	01473049	Front Grill (M3)
22	26115004	Wiring Clamp (M3)
23	000051000017	Coping Sub-Assy (M3)
24	0170512001	Motor Support Sub-Assy (M3)
25	NA	DRAINAGE PLUG (M3)
26	NA	SUPPORTING BOARD(CONDENSER) (M3)
27	01305093P	Left Side Plate (M3)
28	NA	LEFT HANDLE (M3)
29	*10000100295	Electric Box Assy (M3)
		* last four digits of part number _L74327
30	30138000674	Main Board (M3)
31	49010252	Radiator (M3)
32	20113027	Electric Box (M3)
33	71010103	Wire Clamp (M3)
34	71010003	Wire Clamp (M3)
35	42010255	Terminal Board (M3)
36	3900030901	Temperature Sensor (M3)
37	NA	TEMPERATURE SENSOR (M3)
38	20113003	Insulated Board (Cover of Electric Box) (M3)

Expanded Model Nomenclature

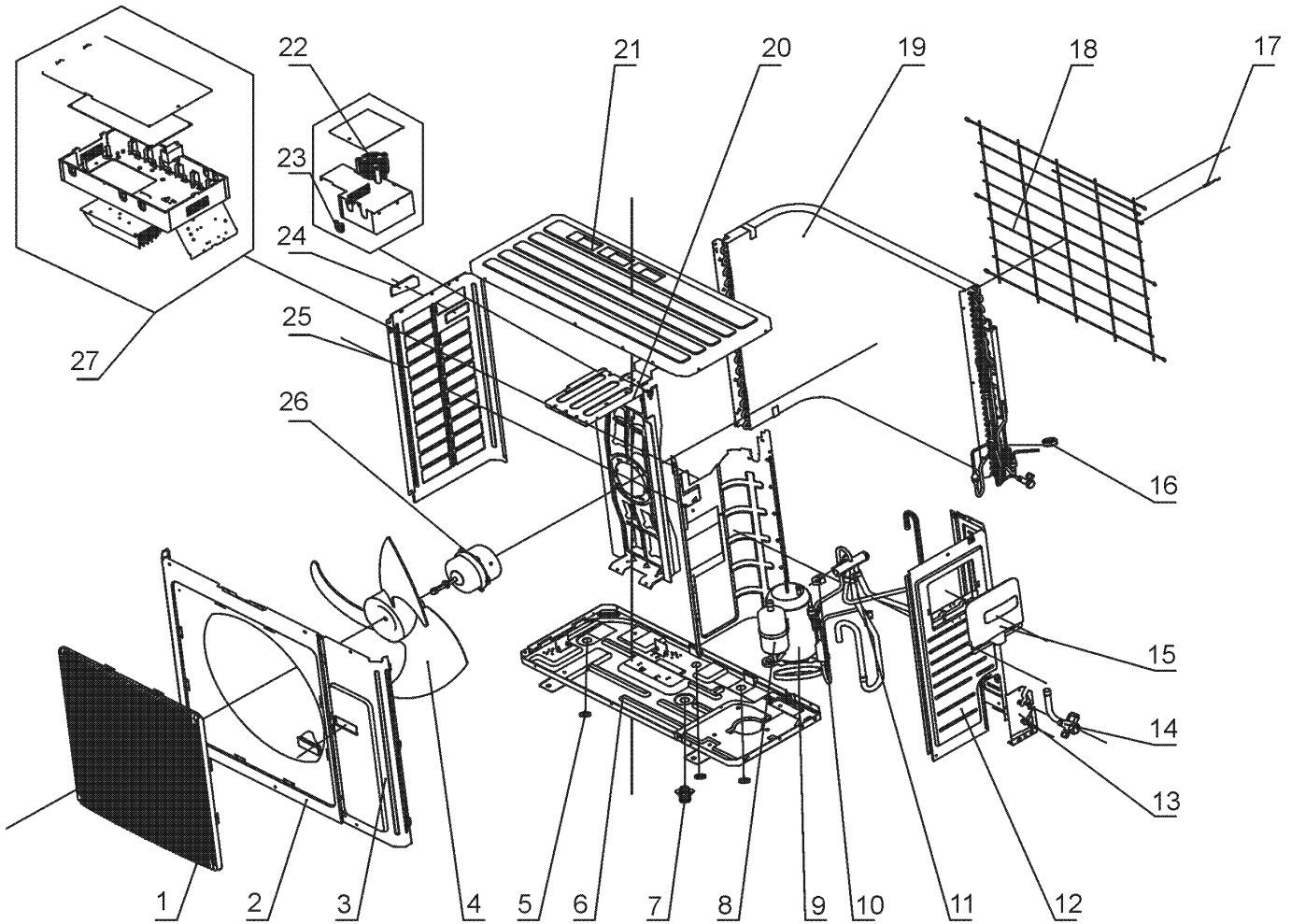
- | |
|-------------------|
| M1 - GMX160122CUE |
| M2 - GMX160182CUE |
| M3 - GMX160242CUE |
| M4 - GMX16092CUE |
| M5 - GMX180362CUE |

To order parts contact:
 Doral Branch #274
 8925 NW 27th St.
 Miami, FL 33172

GMX180362CUE

GMX180362CUE

To order parts contact:
Doral Branch #274
8925 NW 27th St.
Miami, FL 33172



GMX180362CUE

Ref. Part No: No:	Description:	Ref. Part No: No:	Description:
-------------------	--------------	-------------------	--------------

Image 1:

1	01473050	Front Grill (M5)
2	0153501405	Front Panel Assy (M5)
3	01305086P	Front Side Plate (M5)
4	10335014	Axial Flow Fan (M5)
6	01203880P	Chassis Sub-assy (M5)
7	NA	DRAINAGE CONNECTOR (M5)
8	00205275	Compressor (M5)
9	NA	ELETRICAL HEATER (M5)
10	NA	MAGNET COIL (M5)
11	NA	4 WAY VALVE ASSY (M5)
12	0130504402P	Right Side Plate (M5)
13	0171501201P	Valve Support Sub-Assy (M5)
14	07133157	Cut off Valve (M5)
15	02115005	Big Handle (M5)
17	3900031001	Temperature Sensor (M5)
18	01475013	Rear Grill (M5)
19	01163365	Condenser Assy (M5)
20	01802876	Motor Support Sub-Assy (M5)
21	000051000024	Top Cover Sub-Assy (M5)
22	NA	PFC INDUCTANCE (M5)
23	26900000008	Cable Cross Loop (M5)
24	26235401	Left Handle (M5)
25	01305043P	Left Side Plate (M5)
26	1570280205	Fan Motor (M5)
27	*2603612	Electric Box Assy (M5)

* last four digits of part number _L74327

Expanded Model Nomenclature

- M1 - GMX160122CUE
- M2 - GMX160182CUE
- M3 - GMX160242CUE
- M4 - GMX16092CUE
- M5 - GMX180362CUE

To order parts contact:
Doral Branch #274
8925 NW 27th St.
Miami, FL 33172